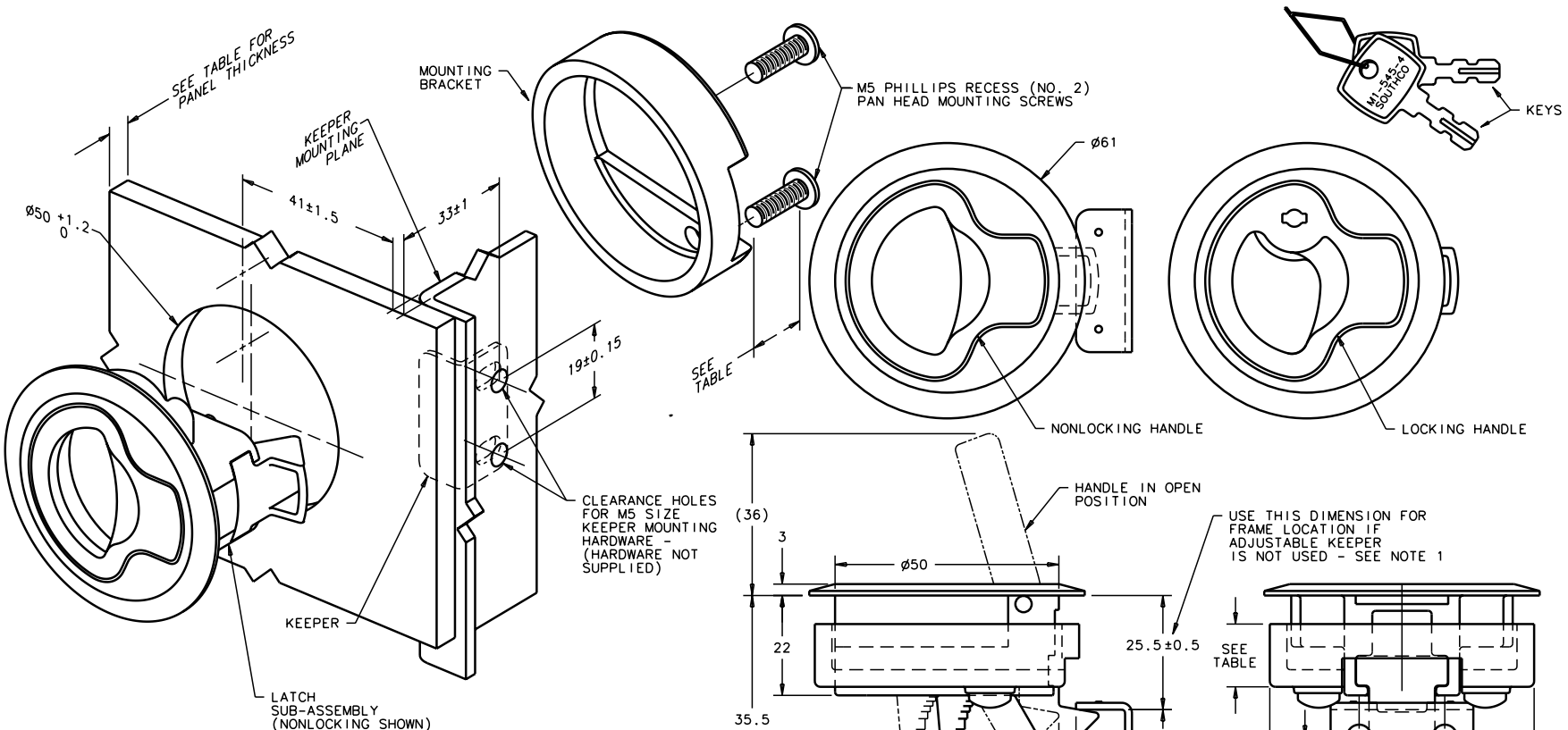


southco	REV	DATE	DRAWN/CHKD	DESCRIPTION	ITEM	PART NUMBER	MATERIAL	FINISH	DATE	DRWN/CHKD	SCALE	DRAWING NUMBER
	E	08DEC2005	AAB/AMDY	PRN: P2005-1759	LATCH ASSEMBLY	M1-4X-8	-	-	05SEP2001	AJH	1:1	J-M1-61-8
F	29MAR2007	JWJ/RLR	PRN: P2007-0454	LATCH SUBASSEMBLY	M1-6X-8	-	SEE NOTE A	NONLOCKING				
				MOUNTING BRACKET	-	-	SEE NOTE A					
				KEEPER	-	-	300 SERIES STAINLESS STEEL	PASSIVATED				
				MOUNTING SCREWS (2)	-	-	300 SERIES STAINLESS STEEL	PASSIVATED				
REMARKS: LOCKABLE ALL DIMENSIONS WITHOUT TOLERANCES ARE FOR REFERENCE ONLY. THIRD ANGLE PROJECTION A3 PAPER SIZE												

SOUTHCO FLUSH-PULL™ LATCH METRIC ASSEMBLY



NOTES:

- A. MATERIAL AND FINISH:**
 -HOUSING, HANDLE, PAWL, LOCKPLUG, AND MOUNTING BRACKETS: CF-8M STAINLESS STEEL (NOMINAL CAST EQUIVALENT OF 316 STAINLESS STEEL), ELECTROPOLISHED
 -PIN: 302 STAINLESS STEEL, PASSIVATED
 -KEYS, SPRINGS, KEEPER, LOCK PLUG RETAINING RING AND SCREWS: 301 STAINLESS STEEL, PASSIVATED
 -LOCK PLUG O-RING: BUNA-N, NATURAL

- B. APPLICATION:**
 1. IF ADJUSTABLE KEEPER IS NOT USED, EDGE OF KEEPER SURFACE WHICH PAWL SLIDES AGAINST MUST HAVE 0.5 RADIUS MIN.
 2. MAX. TIGHTENING TORQUE ON MOUNTING SCREWS IS 2.8 Nm.

PART NUMBER	PANEL THICKNESS	MOUNTING BRACKET HEIGHT	MOUNTING BRACKET SCREW LENGTH
M1-41-8			
M1-61-8	2 TO 7	15.1	16
M1-42-8			
M1-62-8	7 TO 12	15.1	20
M1-43-8			
M1-63-8	12 TO 17	5.1	16
M1-44-8			
M1-64-8	17 TO 22	5.1	20

