

DRAWING NUMBER	J-MP-05-1
DATE	01MAR2005
DRAWN/CHKD	JWJ
SCALE	1:1
MATERIAL	*A*
KEEPER	MP-510-16-1 23.942 [ .941.8 ] M1-519-4 26.232 [ 1.035.8 ] MP-5113 24.442 [ .961.8 ]
MILLIMETERS	
ALL DIMENSIONS WITHOUT TOLERANCES ARE FOR REFERENCE ONLY.	
A3 PAPER SIZE	
THIRD ANGLE PROJECTION	

**LATCH OPERATION NOTES:**

- TO OPEN, DEPRESS KNOB APPROX. 3MM. KNOB WILL TRANSLATE OUT APPROX. 15MM. PULL KNOB TO OPEN DOOR. PAWL WILL RETRACT.
- SLAM DOOR TO CLOSE. DOOR CAN BE CLOSED WITH KNOB UP OR DOWN.
- DOOR IS LOCKED WHEN KNOB IS IN DEPRESSED POSITION.

**NOTES:**

- A. FOR KEEPER OPTIONS, SEE DRAWINGS  
 J-MP-510-16 FOR HOODED KEEPER, J-M1-519-4 FOR L-BEND STAINLESS KEEPER, AND J-MP-5113 FOR ADJUSTABLE KEEPER

ASSEMBLY PART NUMBER

**MP-05-WX2-YZ**

LATCH STYLE TYPE  
 FLANGE FINISH  
 KNOB FINISH

LATCH STYLE (W)

- 1 - OVAL
- 2 - SQUARE
- 3 - ROUND

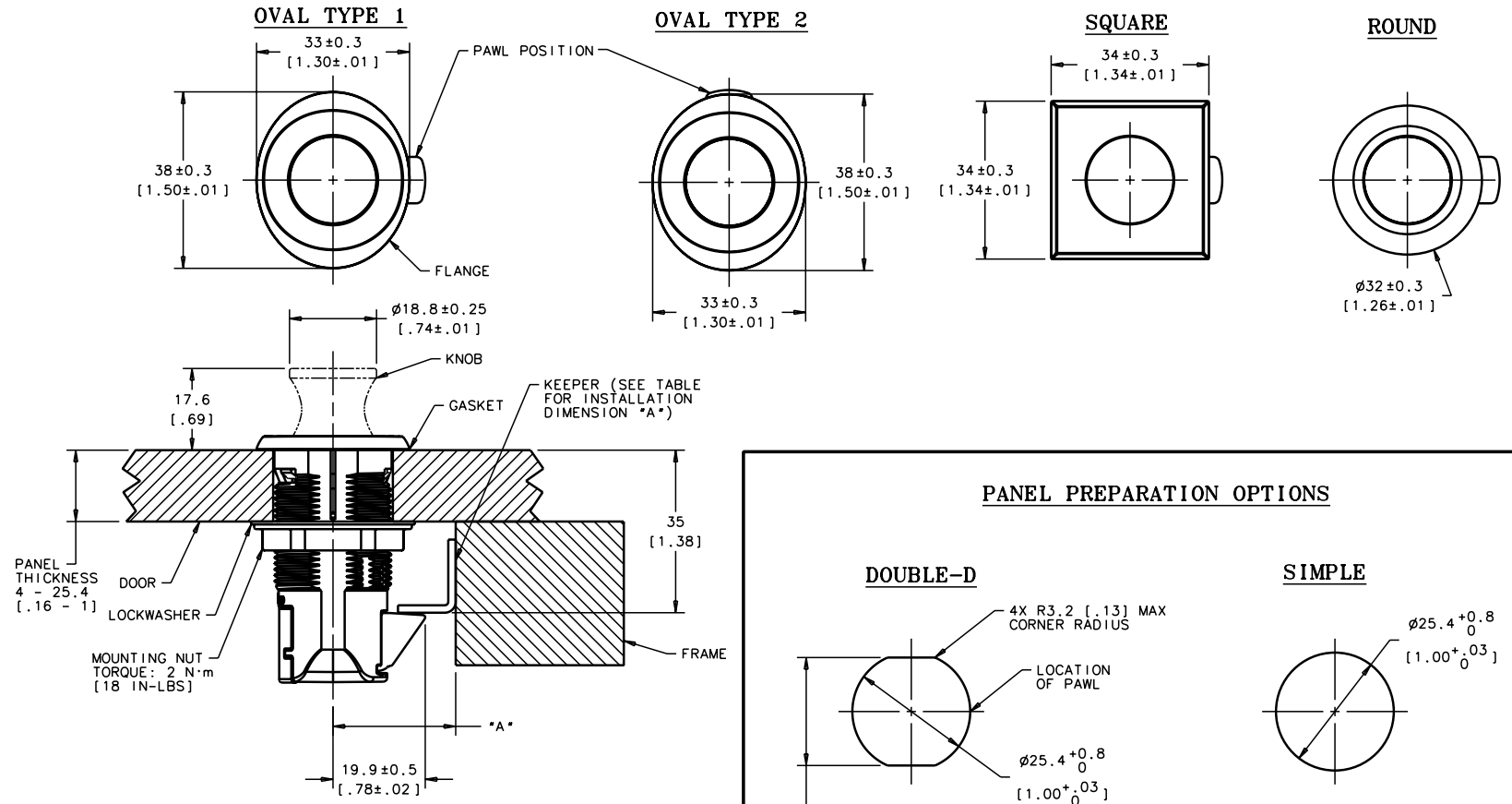
TYPE (X)

- 1 - TYPE 1 OR UNIVERSAL (FOR SYMMETRICAL FLANGES)
- 2 - TYPE 2

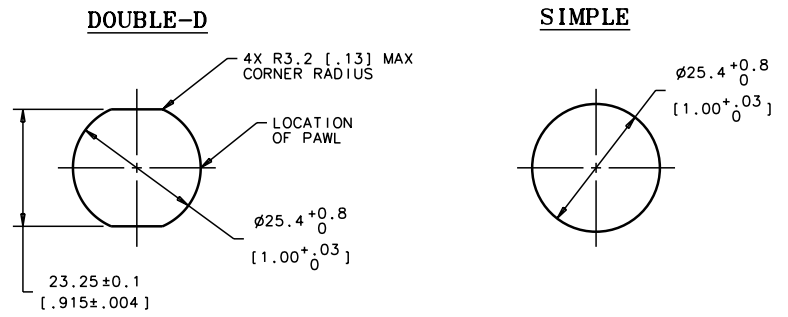
FINISH (FLANGE/KNOB) (Y OR Z)

- 1 - POLISHED CHROME
- 2 - SATIN CHROME
- 3 - BRUSHED NICKEL
- 4 - DIAMOND BRASS
- 5 - BLACK POWDERCOAT
- 6 - SATIN NICKEL
- 7 - WHITE POWDERCOAT

REV	DATE	DRAWN/CHKD	DESCRIPTION	COMPONENT	MATERIAL	FINISH
A	25OCT2005	JWJ/MDY	PRN: P2005-1382	HOUSING	PC/PBT	BLACK
B	03JAN2006	DJK/XMS	PRN: P2006-0009	FLANGE	DIE CAST Z/INC	SEE TABLE
C	31AUG2006	JWJ/RLR	PRN: P2006-1192	COVER	PC/PBT	BLACK
D	30NOV2006	MDY/RLR	PRN: P2006-1683	PAWL	GF NYLON	BLACK
				RATCHET	ACETAL	BLACK
				GUIDE	ACETAL	BLACK
				MOUNTING NUT	GF NYLON	BLACK
				SHAFT		
				KNOB SPRING	STAINLESS STEEL	PASSIVATED
				RATCHET SPRING		
				GUIDE SPRING		
				LOCKWASHER		
				GASKET	NEOPRENE	BLACK



**PANEL PREPARATION OPTIONS**



MILLIMETERS [INCHES]  
 MILLIMETERS [INCHES]