

Rakego™

Lid stay



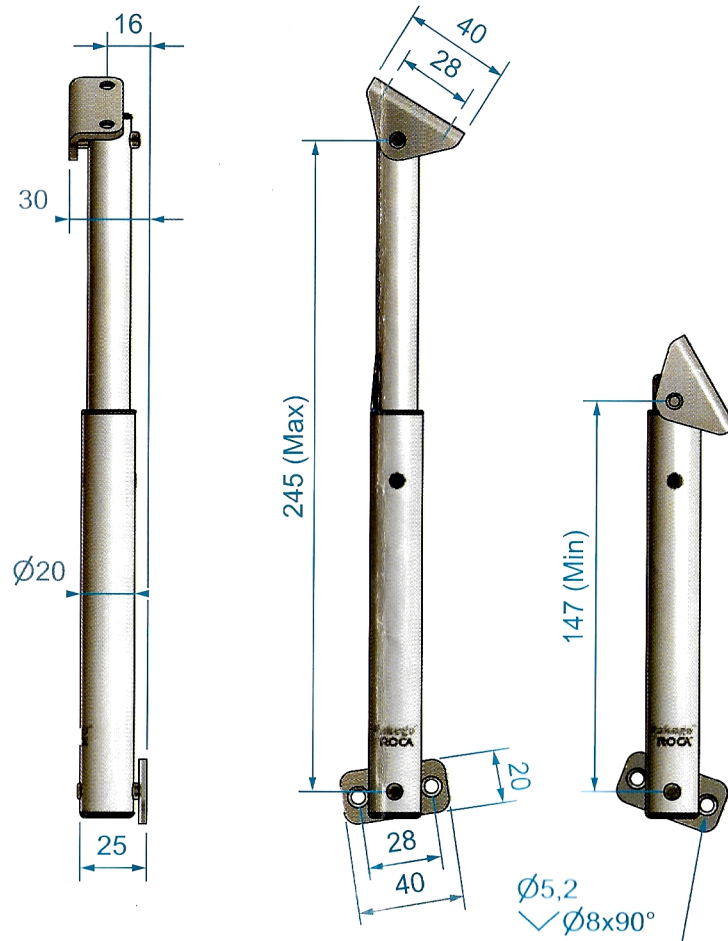
- Can be mounted for different angle positions.
- Left or right hand installation possible
- For both vertical and horizontal lids
- Distinct push knob to release
- Load capacity 50Nm
- Material for harsh conditions.



Item no:

389620

rocaindustry.com



Material:

Aluminum (AA6061)
Plastic (POM)
Stainless steel (AISI304)

Treatment:

Natural anodized

Item no:

389620

Item: 389630 | LidStay_Insert_Instruction.indd | 2014-03-10 | LW/RE

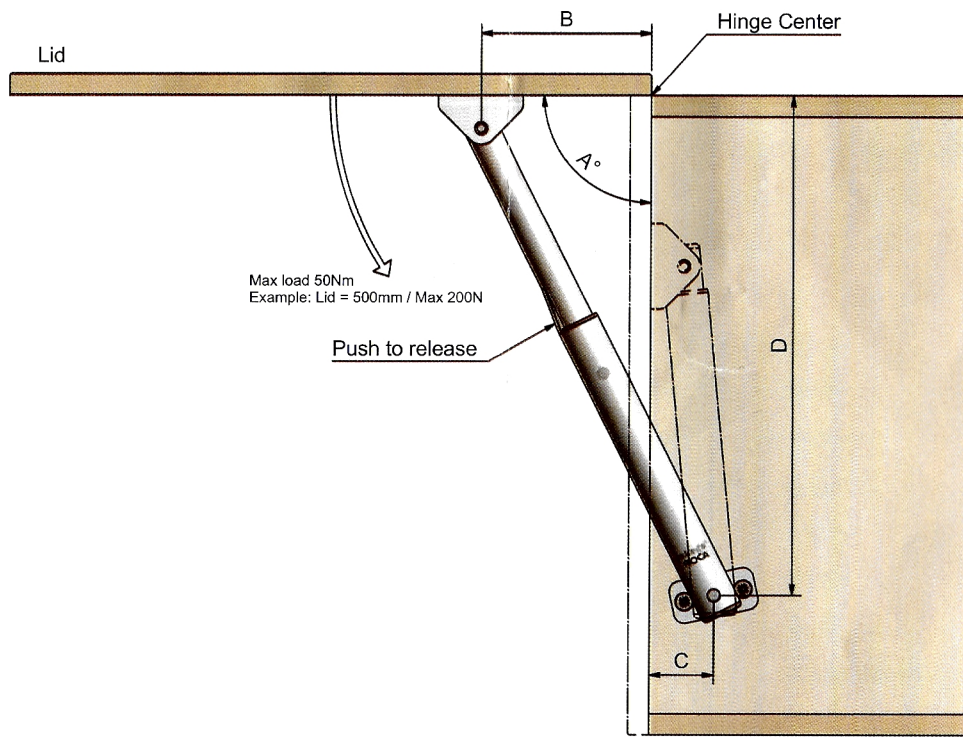


ROCA®

Installation instruction

Before installation please read these instruction.

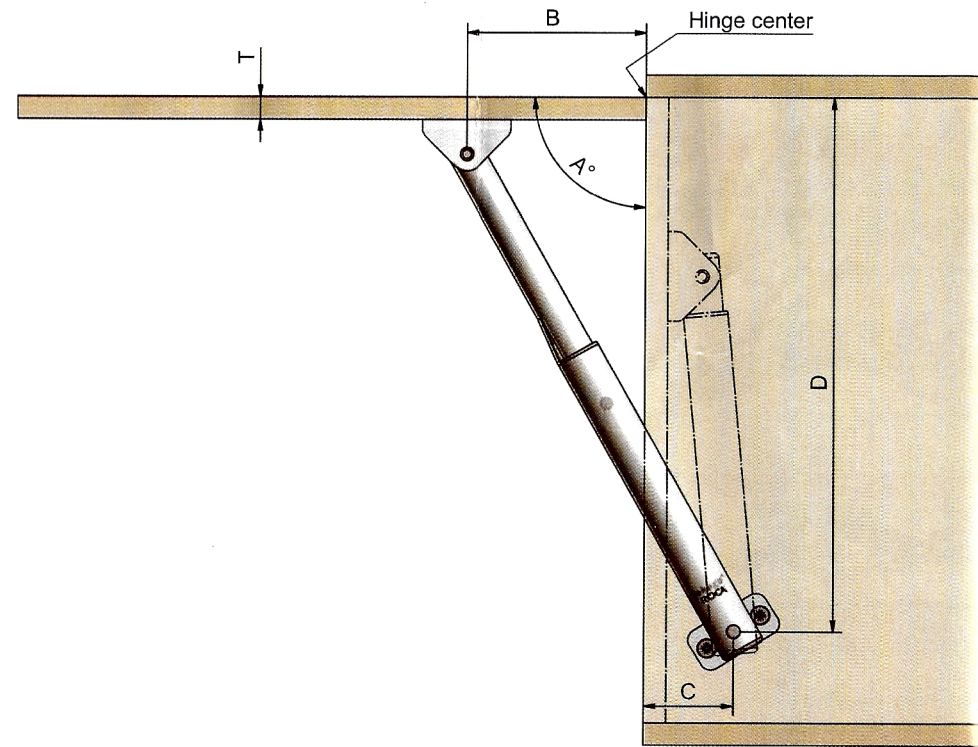
rocaindustry.com



Top mounted

Mounting measures (examples)

A°	B	C	D
80°	90	30	248
90°	80	30	235
100°	70	30	227
110°	65	30	218



Flush mounted

Mounting measures (examples)

T	A°	B	C	D
10	80°	90	50	246
10	90°	80	40	239
10	100°	75	40	227
10	110°	65	40	221
15	80°	90	50	251
15	90°	80	40	244
15	100°	75	40	231
15	110°	65	40	225