

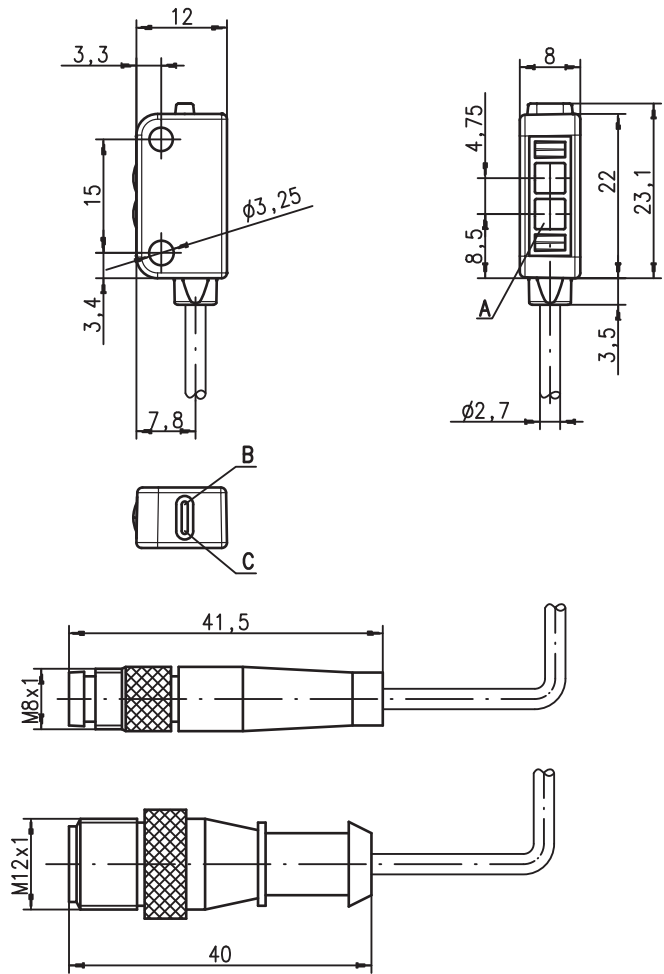
LSR 2

Miniature throughbeam photoelectric sensor

en 03-2011/05 50112212



Dimensioned drawing

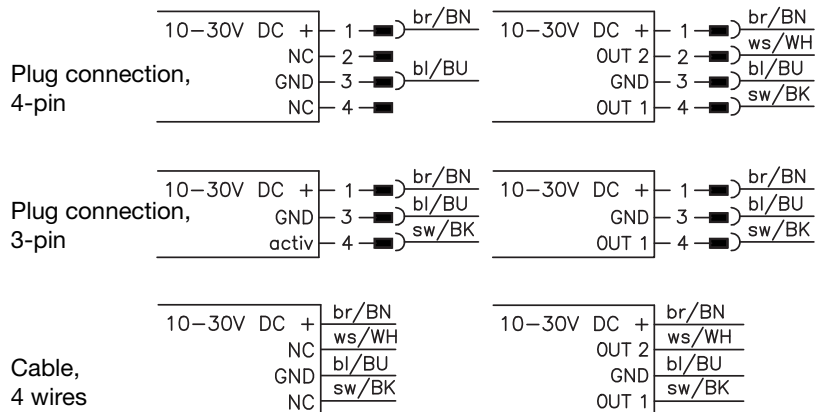


- A Transmitter
- B Yellow indicator diode
- C Green indicator diode

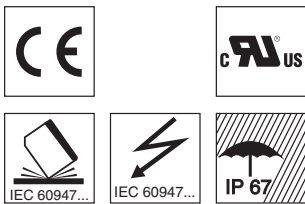
Electrical connection

Transmitter

Receiver



- Miniature throughbeam photoelectric sensor with visible red light
- Homogeneous, highly visible light spot by means of pin-point LED
- Universal connection options
- Miniature construction with temperature-stable plastic housing with protection class IP 67 and 2 inlaid metal fastening sleeves for secure mounting
- Activation input (option)



Accessories:

(available separately)

- Mounting device BT 002 M.5 (50112206)
- Cable with M8 or M12 connector (K-D ...)

We reserve the right to make changes • DS_LSR2_EN.fm

Specifications

Optical data

Typ. operating range limit ¹⁾	0 ... 2m
Operating range ²⁾	0 ... 1.6m
Light source ³⁾	LED (modulated light)
Wavelength	640nm (visible red light)

Timing

Switching frequency	385Hz
Response time	1.3ms
Repeatability	175µs
Delay before start-up	≤ 120ms

Electrical data

Operating voltage U_B ⁴⁾	10 ... 30VDC (incl. residual ripple)
Residual ripple	≤ 10% of U_B
Open-circuit current	≤ 20mA
Switching output	.../42
	OUT1 (pin 4): PNP light switching
	OUT2 (pin 2): NPN light switching
	.../42D
	OUT1 (Pin 4): PNP dark switching
	OUT2 (Pin 2): NPN dark switching
	.../4
	OUT1 (pin 4): PNP light switching
Output configuration	bipolar transistor with open collector, leakage current (OFF):
	PNP=10µA, NPN=200µA,
	saturation voltage (ON, at 50mA):
	PNP=1.45V, NPN=1.25V
Output current	max. 50mA (per output and total)
Load	$C \leq 2.2\mu F$

Indicators

Green LED in continuous light	ready
Green LED, flashing	output overloaded
Yellow LED in continuous light	light path free
Yellow LED, flashing	light path free, no performance reserve

Mechanical data

Housing	plastic (TPE), color: red RAL 3000
Optics cover	plastic (PC)
Attachment	by means of 2 brass sleeves integrated in the housing
Weight	with 2m cable: 50g
	with 150mm cable and connector: 20g
Connection type	2m cable, PVC, 4-wire, core cross section 4x0.14mm ² , 150mm cable with M8/M12 connector, 4-pin

Environmental data

Ambient temp. (operation/storage)	-20°C ... +55°C / -30°C ... +75°C
Protective circuit ⁵⁾	1, 2, 3, 4
VDE safety class	III
Protection class	IP 67
LED class	1 (acc. to EN 60825-1)
Standards applied	IEC 60947-5-2
Certifications	cURus (Recognized Component Mark for Canada and USA)

Options

Activation input activ (only LSSR 2.8, 150-S8.3)	
Transmitter active/not active	≥ 8V/≤ 2V
Activation/disable delay	≤ 1ms

- 1) Typ. operating range limit: max. attainable range without performance reserve
- 2) Operating range: recommended range with performance reserve
- 3) Average life expectancy 100,000h at an ambient temperature of 25°C
- 4) For UL applications: for use in class 2 circuits according to NEC only
- 5) 1=overload protection, 2=polarity reversal protection, 3=short circuit protection for all transistor outputs, 4=transient protection max. ± 50V

Remarks

● Approved purpose

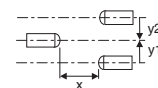
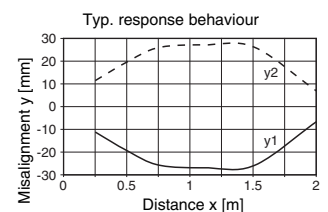
This product may only be used by qualified personnel and must only be used for the approved purpose. This sensor is not a safety sensor and is not to be used for the protection of persons.

Tables

0	1.6	2
---	-----	---

	Operating range [m]
	Typ. operating range limit [m]

Diagrams



Remarks

A light axis consists of a transmitter and a receiver with the following designations:

LSR	=	Complete light axis
LSSR	=	Transmitter
LSER	=	Receiver

LSR 2

Miniature throughbeam photoelectric sensor

Type key

L S S R 2 / 4 2 D , 1 5 0 - S 1 2

Operating principle

HRTR	Miniature light scanners with background suppression, red light
PRK	Miniature retro-reflective photoelectric sensor with polarization filter
LSSR	Miniature throughbeam photoelectric sensor, red-light transmitter
LSER	Miniature throughbeam photoelectric sensor, red-light receiver

Series

2	2 Series
2.8	With activation input

Switching output

/42	Bipolar transistor output open collector, OUT 1 (pin 4): PNP, OUT 2 (pin 2): NPN
/4	Bipolar transistor output open collector, OUT 1 (pin 4): PNP, OUT 2 (pin 2): does not exist

Switching output function

N/A	OUT 1 and OUT 2 both light switching
D	OUT 1 and OUT 2 both dark switching

Scanning range (only with operating principle HRTR)

-15F	Scanning range limit set to 15 mm
-30F	Scanning range limit set to 30 mm
-50F	Scanning range limit set to 50 mm

Electrical connection

N/A	Cable, PVC, standard length 2000mm, 4-wire
,150-S8	Cable, PVC, length 150 mm with M8 connector, 4-pin, axial
,150-S8.3	Cable, PVC, length 150 mm with M8 connector, 3-pin, axial
,150-S12	Cable, PVC, length 150 mm with M12 connector, 4-pin, axial

Order guide

The sensors listed here are preferred types; current information at www.leuze.com

Order code	Part No.
Transmitter	
LSSR 2	50112127
LSSR 2, 150-S8	50112128
LSSR 2.8, 150-S8.3 ¹⁾	50116172
LSSR 2, 150-S12	50112129
receiver	
LSER 2/42	50112130
LSER 2/42, 150-S8 ¹⁾	50112131
LSER 2/4, 150-S8.3	50116173
LSER 2/42, 150-S12	50112132
LSER 2/42D	50112133
LSER 2/42D, 150-S8	50112134
LSER 2/42D, 150-S12	50112135

1) UL approval under way

