

12.1" Touch Screen Operator Interface



12.1-inch TFT Color Touch Screen Operator Interface

GP-460xT

Model: PFXGP4601TAA, PFXGP4601TAD, PFXGP4603TAD, PFXGP4601TMA, PFXGP4601TMD

AC/DC 24V
SVGA

12.1-inch

SD Card Ethernet

Powered by

Screen Editor
GP-Pro EX

UL LISTED CE RoHS

Features:

- 65,536 Colors, Clear, Bright, High-Resolution TFT Display
- Energy Efficient LED Display
- Choice of Matrix Touch Panel or No Grid Analog for Improved Visibility and Precise Part Placement
- Supports Up to Four Protocol Drivers Simultaneously
- High Speed Application Transfer, 10 Times Faster than Conventional Operator Interfaces
- 10/100 Base-T Ethernet, USB, Serial Communication and SD Card Interfaces
- High-Definition Part Images and Multi-Language Support

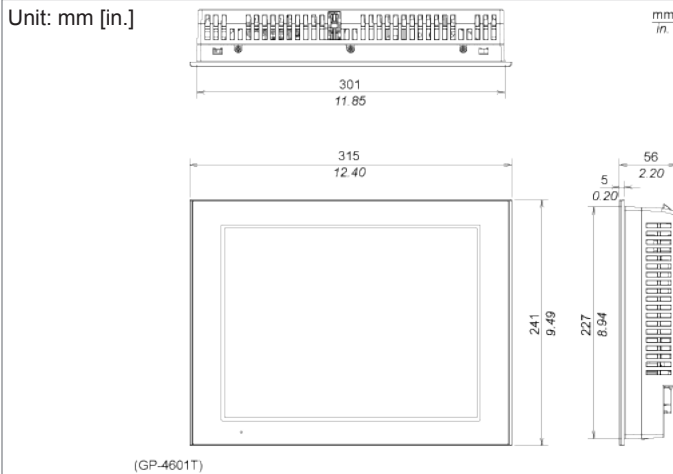
Specifications

Model	PFXGP4601TAA, PFXGP4601TAD, PFXGP4603TAD*	PFXGP4601TMA, PFXGP4601TMD
Graphics Display Resolution	800 x 600 pixels (SVGA)	
Display Type and Size	TFT Color LCD (12.1 inch)	
Display Colors	65,536 Colors (no blink), 16,384 (blink)	
Display Area	W246.0 x H184.5 mm [W9.69 x H7.26 in.]	
Touch Screen	Resistive film analog 1024 x 1024 resolution	Resistive Film (matrix)
USB	USB Type-A (2.0) x 1, USB mini-B (2.0) x1	
SD Card	SD Card slot x 1 (maximum 32 GB SD/SDHC Card)	
Serial	<p>COM1: RS-232C Asynchronous Transmission Data Length: 7 or 8 bit, Parity: none, odd or even, Stop Bit: 1 or 2 bit, Data Transmission Speed: 2,400 bps to 115.2 kbps, Connector: D-Sub9 (plug)</p> <p>GP-4601 COM 2: RS-422/485 Asynchronous Transmission Data Length: 7 or 8 bit Parity: None, Odd or Even Stop Bit: 1 or 2 bit Data Transmission Speed: 2,400 bps to 115.2 kbps, 187.5kbps (MPI) Connector: D-Sub9 (plug)</p> <p>*GP-4603 COM 2: RS-485 (isolation) Asynchronous Transmission Data Length: 7 or 8 bit Parity: None, Odd or Even Stop Bit: 1 or 2 bit Data Transmission Speed: 2,400 bps to 115.2 kbps, 187.5 kbps (MPI) Connector: D-Sub9 (socket)</p>	
Ethernet	Ethernet IEEE802.3/IEEE802.3u, 10BASE-T/100BASE-TX	
Backlight	White LED (User nonreplaceable parts. When replacement is required, contact your local distributor.	
Brightness and Contrast Controls	16 levels of adjustment available via touch panel or the software	
Programming Memory	32MB FEPROM (GP-Pro EX V3.0 or later)	
Backup Memory	512kb SRAM with battery backup	

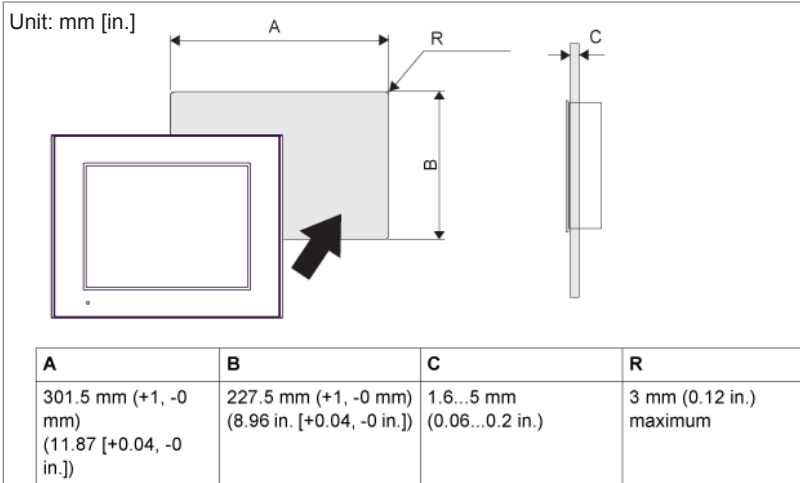
General Specifications

Model	PFXGP4601TAA, PFXGP4601TMA	PFXGP4601TAD, PFXGP4603TAD, PFXGP4601TMD
Input Voltage	AC 100 to 240 V (Input voltage limits AC 85 to 264 V)	Rated DC24V (Limits DC19.2 to 28.8V)
Power Consumption	100 Vac: 44 VA or less 240 Vac: 58 VA or less	17 W or less
Ambient Operating Temp.	0°C (32°F) to 55°C (131°F)	
Storage Temperature	-20 to 60 °C [-4 to 140 °F]	
Altitude Endurance	800hPa to 1114hPa (2000 meters or lower)	
Certifications	CE, UL Listed Cl 1 Div 2, RoHS	
Humidity - Ambient/Storage	10 to 90 % RH (Wet bulb temperature: 39 °C [102.2 °F] or less - no condensation.)/ 10 to 90 % RH (Wet bulb temperature: 39 °C [102.2 °F] or less - no condensation.)	
Noise Immunity	Noise Voltage: 1,500 Vp-p, Pulse Duration: 1 µs, Rise Time: 1 ns (via noise simulator)	Noise Voltage: 1,000 Vp-p, Pulse Duration: 1 µs, Rise Time: 1 ns (via noise simulator)
Cooling Method	Natural air circulation	
Electrostatic Discharge Immunity	Contact Discharge Method: 6 kV (IEC/EN61000-4-2 Level 3)	
Vibration Resistance	IEC/EN61131-2 compliant, 5 to 9 Hz Single amplitude 3.5 mm [0.14 in.], 9 to 150 Hz Fixed acceleration: 9.8 m/s², X, Y, Z directions for 10 cycles (approx. 100 min)	
Shock during operation	IEC/EN 61131-2 compliant 147 m/s², X, Y, Z directions for 3 times	
Rating	Equivalent to IP65f, Nema #250 Type 4x/13 (Equivalent to NEMA 12 with the addition of *Oil or Spraying and Splashing*)	
Weight	2.5 kg [5.5 lb] or less (display unit only)	
External Dimensions	W315 x H241 x D56 mm [W12.4 x H9.49 x D2.2 in.]	
Warranty	Two-year standard (maximum 4 years)	

GP-460xT - External Dimensions



GP-460xT - Cut-Out Dimensions



Ordering Information

Part Number	Description
PFXGP4601TAA	GP-4601T: 12.1" TFT Color Touchscreen (Analog), SVGA, 2x Serial, Ethernet, 2x USB, SD, 100-240VAC, UL/CE
PFXGP4601TAD	GP-4601T: 12.1" TFT Color Touchscreen (Analog), SVGA, 2x Serial, Ethernet, 2x USB, SD, 24VDC, UL/CE
PFXGP4601TMA	GP-4601T: 12.1" TFT Color Touchscreen (Matrix), SVGA, 2x Serial, Ethernet, 2x USB, SD, 100-240VAC, UL/CE
PFXGP4601TMD	GP-4601T: 12.1" TFT Color Touchscreen (Matrix), SVGA, 2x Serial, Ethernet, 2x USB, SD, 24VDC, UL/CE
PFXGP4601TAAC	GP-4601T: 12.1" TFT Color Touchscreen (Analog), SVGA, 2x Serial, Ethernet, 2x USB, SD, 100-240VAC, UL/CE, Conformal Coating
PFXGP4601TADC	GP-4601T: 12.1" TFT Color Touchscreen (Analog), SVGA, 2x Serial, Ethernet, 2x USB, SD, 24VDC, UL/CE, Conformal Coating
PFXGP4603TAD	GP-4603T: 12.1" TFT Color Touchscreen (Analog), SVGA, 2x Serial (1-RS232, 1-RS485/MPI), Ethernet, 2x USB, SD, 24VDC, UL/CE

Optional Items

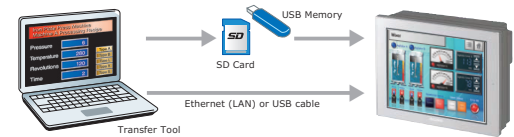
Part Number	Product Name
PFXZCSD4GC41	SD Memory Card (4 GB, Class 4)
GP-Pro EX (EX-ED-Vx)	Screen and Logic Development Software (ver 3.0 or newer)
PLC Cables & Accessories	See AGP3000 Connectivity Document

Caution: Before operating any of these products, please be sure to read all related manuals thoroughly.

- All product names used in this document are trademarks or registered trademarks of their respective companies.
- All information contained in this document is subject to change without notice.

Easily Transfer Data

Screen data can be updated by using the data transfer tool, even without a software license.

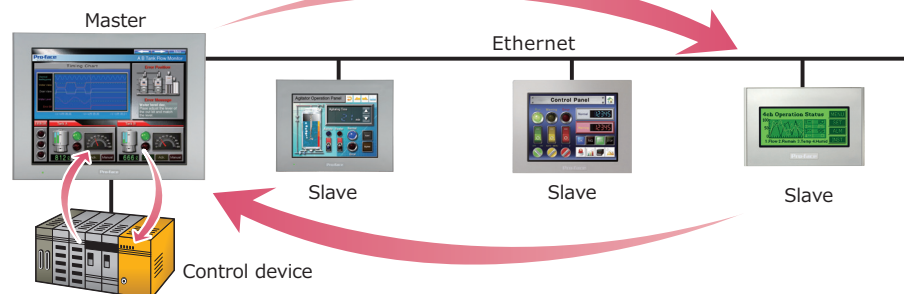


The data transfer tool can be downloaded for free from the Web
<http://www.profaceamerica.com>

Connectivity

Ethernet Multi-Link function

The Ethernet Multi-Link function allows you to easily add a GP as a sub-display to the facility without changing any settings of the control device.



Pro-face America
 Phone: 734.477.0600
 Fax: 734.864.7347
www.profaceamerica.com

Customer Service Hotline: 800.289.9266

For more information

ACCESS

www.profaceamerica.com

Pro-face
 for the best interface