

FHB

Maximum pressure 320 bar
Flow rates to 485 l/min



Technical data

Filter housing (Materials)

- Head: Cast iron (chemical heat treatment)
- Housing: Steel (chemical heat treatment)
- Bypass valve: Steel
- Check valve: Steel

Pressure

- Working pressure: 320 bar (32 MPa)
- Test pressure: 480 bar (48 MPa)
- Burst pressure: 960 bar (96 MPa)
- Pulse pressure fatigue test: 1.000.000 cycles with pressure from 0 to 320 bar (32 MPa)

Temperature

- From -25 °C to +110 °C

Bypass valve

- Opening pressure 6 bar \pm 10%
- Other opening pressures on request.

Δp Elements type

- Microfibre filter elements series N: 20 bar
- Microfibre filter elements series H: 210 bar (excluded FHB 065 - 135 - 320)
- Microfibre filter elements series S: 210 bar (only for FHB 050)
- Wire mesh filter elements series N: 20 bar
- Fluid flow through the filter element from OUT to IN.

Seals

- Standard NBR series A
- Optional FPM series V

FHB FILTERS ARE PROVIDED FOR VERTICAL MOUNTING

Weights (kg)

Length	1	2	3	4	5
• FHB050	2,61	2,98	3,39	3,86	5,04
• FHB065	3,33	3,69	4,90	-	-
• FHB135	6,61	8,21	9,21	-	-
• FHB320	12,95	15,08	17,37	26,77	-

Volumes (dm³)

Length	1	2	3	4	5
• FHB050	0,21	0,30	0,40	0,52	0,81
• FHB065	0,20	0,27	0,49	-	-
• FHB135	0,40	0,73	0,94	-	-
• FHB320	0,91	1,63	2,40	3,59	-

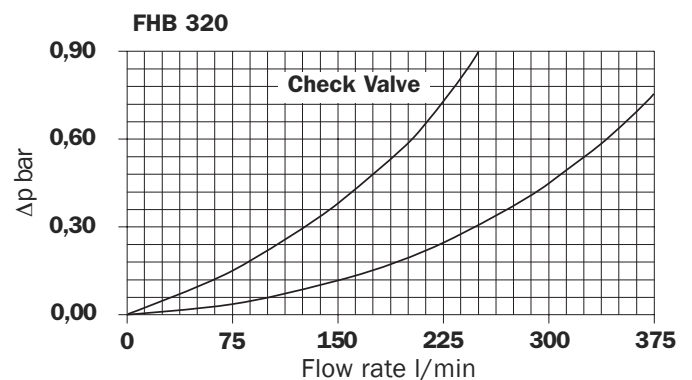
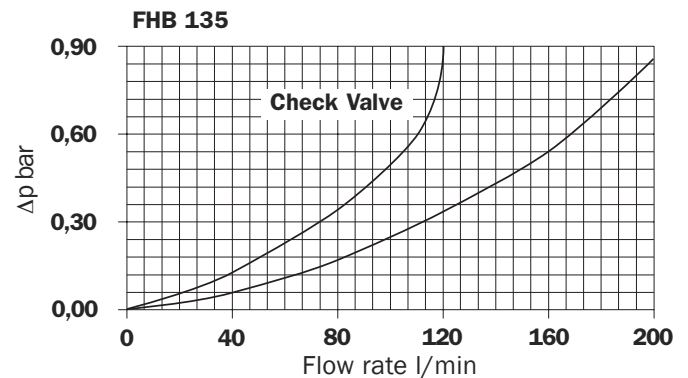
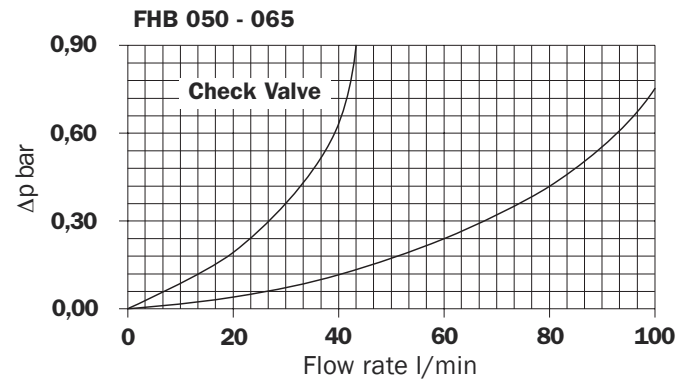
Connections

- FHB: Manifold mounting

Filter housings Δp pressure drop

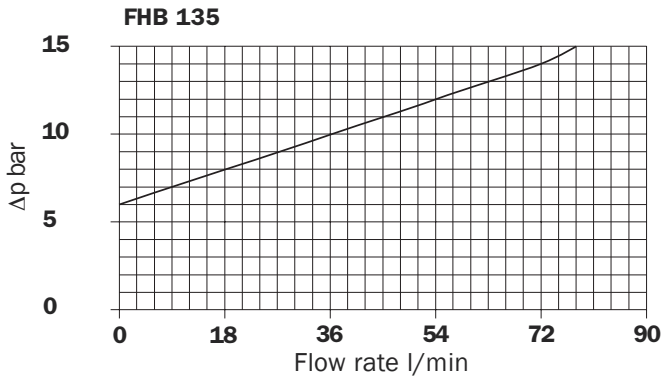
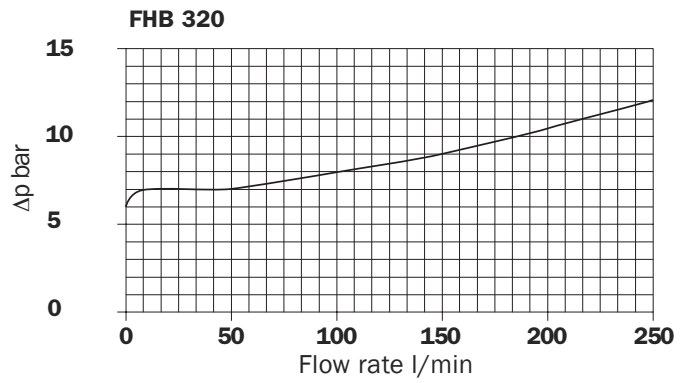
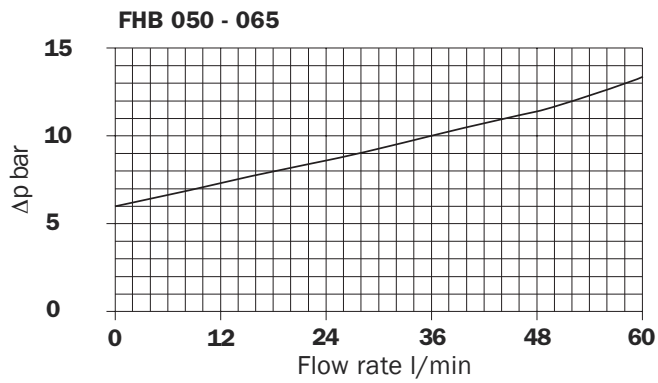
The curves are plotted utilising mineral oil with density of 0,86 kg/dm³ to ISO 3968.

Δp varies proportionally with density.



Valves

Bypass valve pressure drop



Recommended maximum flow rate

- Pressure drop of filter assembly equal to Δp 1,5 bar.
- Oil kinematic viscosity 30 mm²/s (cSt).
- Density 0,86 kg/dm³.

		Filtration						
		Length	A03	A06	A10	A16	A25	M25
FHB 050	1	42	44	78	80	100	130	
	2	53	58	83	93	112	132	
	3	65	69	93	100	118	133	
	4	82	86	105	108	122	134	
	5	102	104	119	122	127	136	

Serie N - Flow rate l/min

		Filtration					
		Length	A03	A06	A10	A16	A25
FHB 050	1	30	40	58	60	74	
	2	46	50	75	85	107	
	3	59	62	87	95	115	
	4	74	79	100	102	118	
	5	90	92	105	112	125	

Serie H - Flow rate l/min

		Filtration						
		Length	A03	A06	A10	A16	A25	M25
FHB 065	1	25	32	55	62	87	90	
	2	33	50	70	76	100	105	
	3	60	70	96	103	117	120	

Serie N - Flow rate l/min

		Filtration					
		Length	A03	A06	A10	A16	A25
FHB 065	1	23	25	49	57	80	
	2	32	38	66	75	94	
	3	59	68	95	100	115	

Serie H - Flow rate l/min

		Filtration						
		Length	A03	A06	A10	A16	A25	M25
FHB 135	1	67	72	119	129	176	200	
	2	109	116	152	154	224	230	
	3	153	155	200	205	226	235	

Serie N - Flow rate l/min

		Filtration					
		Length	A03	A06	A10	A16	A25
FHB 135	1	48	55	97	100	159	
	2	90	110	137	140	182	
	3	126	141	175	187	206	

Serie H - Flow rate l/min

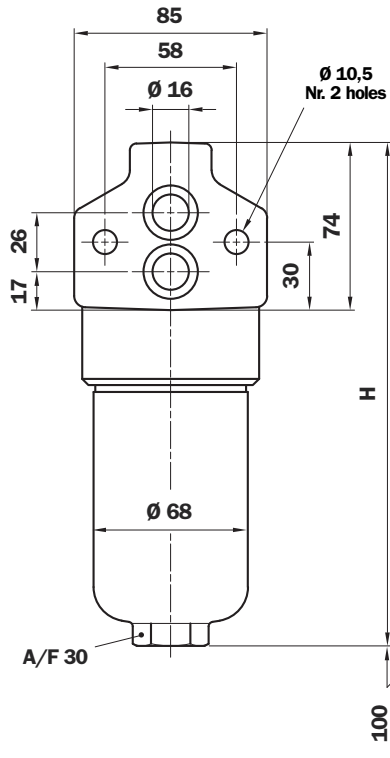
		Filtration						
		Length	A03	A06	A10	A16	A25	M25
FHB 320	1	130	143	238	285	340	440	
	2	259	282	390	408	450	465	
	3	330	368	440	450	460	475	
	4	367	390	445	463	480	485	

Serie N - Flow rate l/min

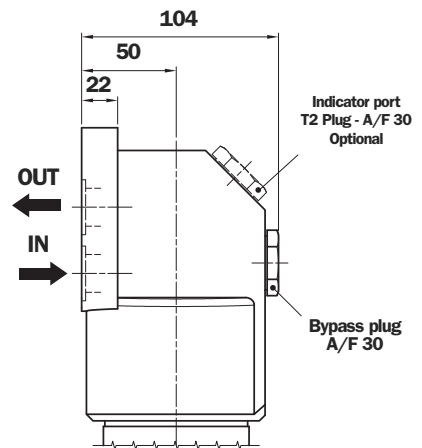
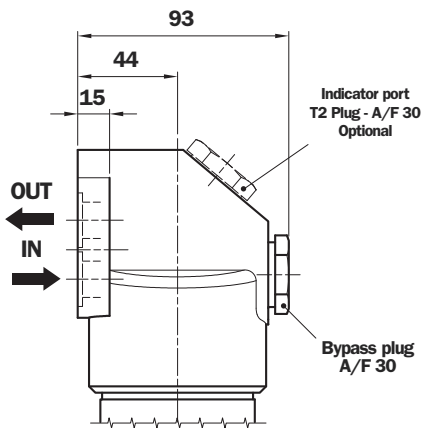
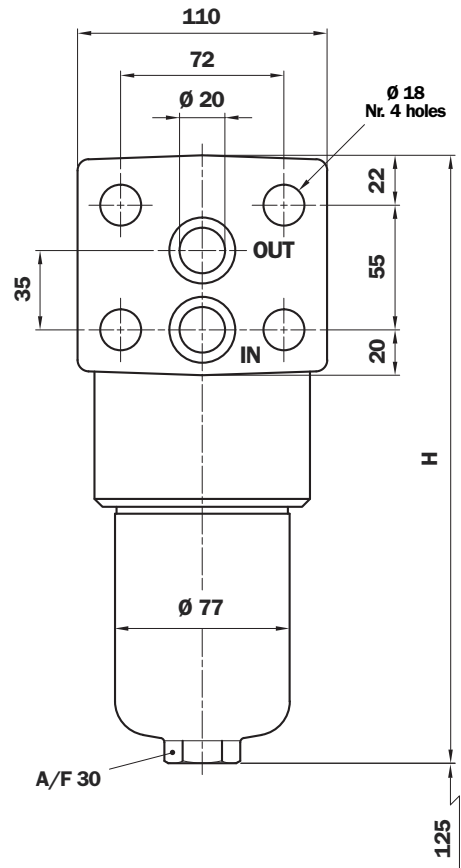
		Filtration					
		Length	A03	A06	A10	A16	A25
FHB 320	1	110	117	191	200	300	
	2	200	230	318	325	390	
	3	268	312	379	387	430	
	4	310	332	387	392	435	

Serie H - Flow rate l/min

FHB 050 - 065



FHB 135



FHB 050

Filter Length	H mm
1	185
2	222
3	264
4	312
5	434

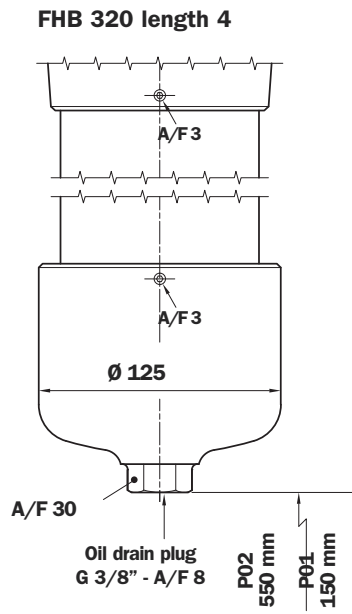
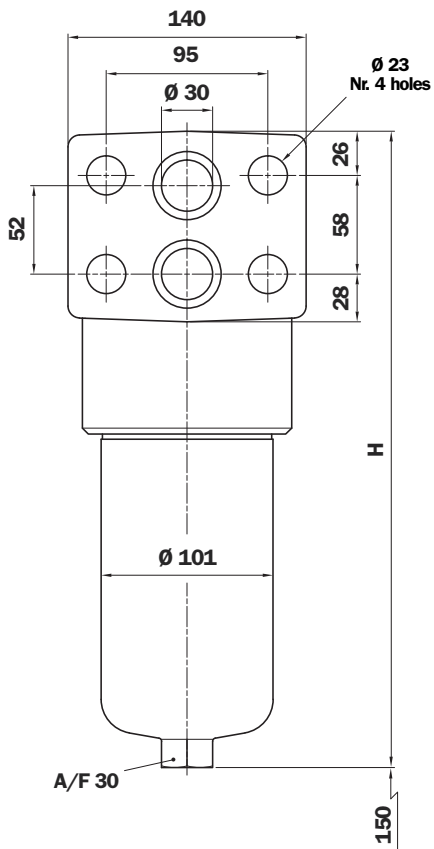
FHB 065

Filter Length	H mm
1	194
2	225
3	327

FHB 135

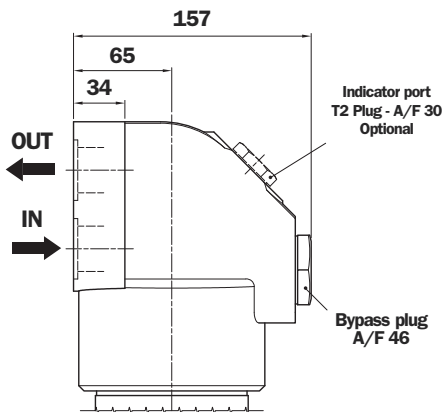
Filter Length	H mm
1	268
2	381
3	456

FHB 320



Style P01
Standard maintenance from head.

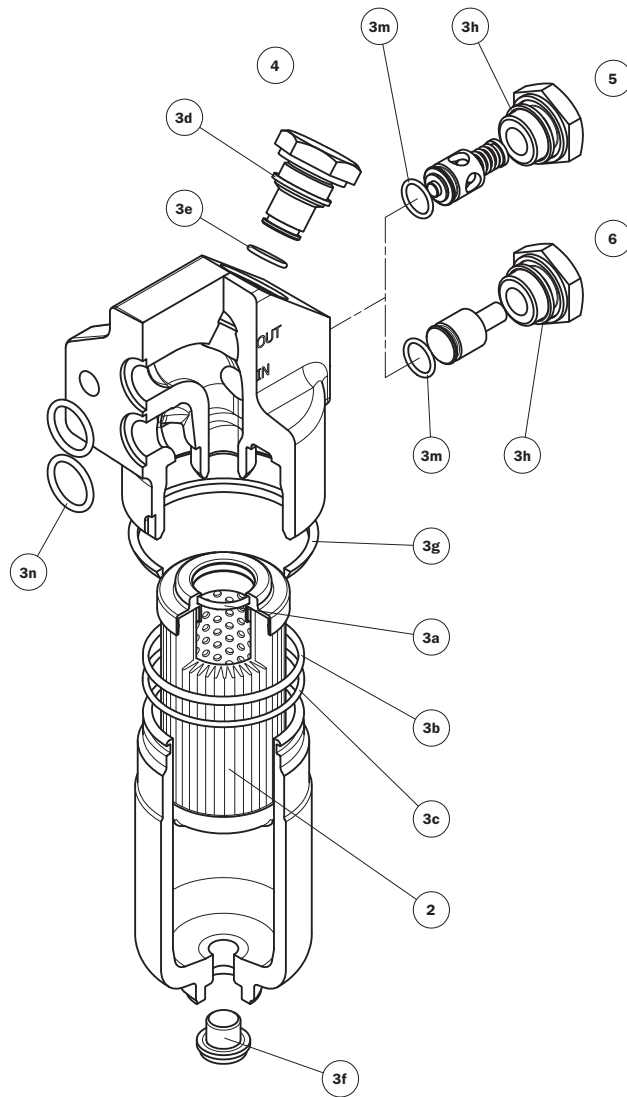
Style P02
Maintenance option from housing base.



FHB 320

Filter Length	H mm
1	301
2	424
3	556
4	709

Spare parts



Item	Description	Q.ty	FILTER Series							
			FHB 050		FHB 065		FHB 135		FHB 320	
1	Filter assembly	1	See order table							
2	Filter element	1	See order table							
3	Seal Kit	1	NBR 02050412	FPM 02050413	NBR 02050266	FPM 02050277	NBR 02050270	FPM 02050281	NBR 02050273	FPM 02050284
3a	Filter element seal	1	O-R 3093 Ø 23,67 x 2,62		O-R 4100 Ø 24,99 x 3,53		O-R 3106 Ø 26,65 x 2,62		O-R 144 Ø 39,69 x 3,53	
3b	Bowl seal	1	O-R 3225 Ø 56,82 x 2,62		O-R 159 Ø 55,56 x 3,53		O-R 3256 Ø 64,77 x 2,62		2 pcs	O-R 3350 Ø 88,57 x 2,62
3c	Bowl anti-extrusion ring	1	Parbak 139 Ø 56,03 x 2,18		Parbak 277 Ø 54,53 x 3		Parbak 144 Ø 63,96 x 2,18		2 pcs	Parbak 153 Ø 89,36 x 2,18
3d	Gasket	1	01030058 (HNBR)	01030046 (FPM)	01030058 (HNBR)	01030046 (FPM)	01030058 (HNBR)	01030046 (FPM)	01030058 (HNBR)	01030046 (FPM)
3e	O-Ring indicator	1	O-R 2050 Ø 12,42 x 1,78		O-R 2050 Ø 12,42 x 1,78		O-R 2050 Ø 12,42 x 1,78		O-R 2050 Ø 12,42 x 1,78	
3f	Drain plug	1	G 1/4" with seal		G 1/4" with seal		G 1/4" with seal		G 1/8" with seal	
3g	Protective seal	1	01026521		01026521		01026509		01026510	
3h	Bp or Non-Bp seal	1	Bonded seal G 1/2"		Bonded seal G 1/2"		Bonded seal G 1/2"		O-R 3143 (90 Sh A) Ø 36,14 x 2,62	
3m	Bp or Non-Bp seal	1	O-R 2050 Ø 12,42 x 1,78		O-R 2050 Ø 12,42 x 1,78		O-R 2050 Ø 12,42 x 1,78		O-R 3106 Ø 26,65 x 2,62	
3n	Connection seal	2	O-R 3075 Ø 18,72 x 2,62		O-R 3075 Ø 18,72 x 2,62		O-R 3093 Ø 23,67 x 2,62		O-R 4131 Ø 32,92 x 3,53	
4	Indicator connection plug	1	T2H	T2V	T2H	T2V	T2H	T2V	T2H	T2V
5	Bypass assembly	1	02001312	02001385	02001312	02001385	02001312	02001385	02001381	02001382
6	Non-bypass assembly	1	02001314	02001386	02001314	02001386	02001314	02001386	02001383	02001384

PRESSURE FILTER

Ordering information FHB

Filter assembly	1	2	3	4	5	6	7a
FHB	<input type="text"/>	<input type="text"/>	<input type="text"/>	<input type="text"/>	<input type="text" value="F1"/>	<input type="text"/>	<input type="text"/>
Example: FHB	065	2	B	A	F1	A10	N

Filter element	1	2	5	4	6	7b
HP	<input type="text"/>	<input type="text"/>	<input type="text"/>	<input type="text"/>	<input type="text"/>	<input type="text"/>
Example: HP	065	2	A10	A	N	P01

1 - Style

Filter	Filter element
<input type="text" value="050"/>	<input type="text" value="050"/>
<input type="text" value="065"/>	<input type="text" value="065"/>
<input type="text" value="135"/>	<input type="text" value="135"/>
<input type="text" value="320"/>	<input type="text" value="320"/>

2 - Filter length

<input type="text" value="050"/>	<input type="text" value="1"/>	<input type="text" value="2"/>	<input type="text" value="3"/>	<input type="text" value="4"/>	<input type="text" value="5"/>
<input type="text" value="065"/>	<input type="text" value="1"/>	<input type="text" value="2"/>	<input type="text" value="3"/>		
<input type="text" value="135"/>	<input type="text" value="1"/>	<input type="text" value="2"/>	<input type="text" value="3"/>		
<input type="text" value="320"/>	<input type="text" value="1"/>	<input type="text" value="2"/>	<input type="text" value="3"/>	<input type="text" value="4"/>	

3 - Valves

<input type="text" value="S"/>	Without bypass
<input type="text" value="B"/>	With bypass
<input type="text" value="T"/>	Without bypass + check valve*
<input type="text" value="D"/>	With bypass + check valve*

*Reduced cross-section oilways

4 - Filter seals

<input type="text" value="A"/>	NBR
<input type="text" value="V"/>	FPM

5 - Filter element

<input type="text" value="A03"/>	Inorganic microfibre 3 µm	} Absolute filtration Inorganic Microfibre βx (c) ≥ 1000
<input type="text" value="A06"/>	Inorganic microfibre 6 µm	
<input type="text" value="A10"/>	Inorganic microfibre 10 µm	
<input type="text" value="A16"/>	Inorganic microfibre 16 µm	
<input type="text" value="A25"/>	Inorganic microfibre 25 µm	
<input type="text" value="M25"/>	Wire mesh 25 µm	} Nominal Filtration

6 - Max filter element differential pressure

<input type="text" value="N"/>	Δp 20 bar
<input type="text" value="H"/>	Δp 210 bar (only for FHB 065 - 135 - 320)
<input type="text" value="S"/>	Δp 210 bar (only for FHB 050)

7 - Option

a - Filter

<input type="text" value="P01"/>	MP Filtri standard
<input type="text" value="P02"/>	Maintenance from base of housing (only FHB 320 length 4)
<input type="text" value="Pxx"/>	Customer request

b - Filter element

<input type="text" value="P01"/>	MP Filtri standard
<input type="text" value="Pxx"/>	Customer request

Indicator plug:

Phosphated Steel plug T2 has to be ordered separately.

Code

<input type="text" value="T2H"/>	Seal NBR
<input type="text" value="T2V"/>	Seal FPM

For Clogging Indicator:
See page 324

MP Filtri - The filter functions as described in this bulletin are valid exclusively for original MP Filtri filter elements and replacement parts. All rights reserved.

The data in this publication are purely guideline. MP Filtri reserves the right to make changes to the models described herein at any time it deems fit in relation to technical or commercial requirements. The colours of the products shown on the cover are purely guideline. Copyright. All rights reserved.