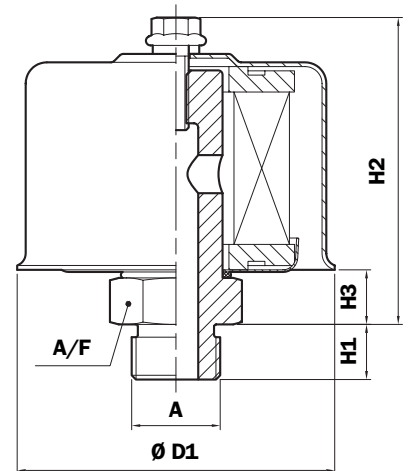


Dimensions



SA (Materials)

- 1 - Screw: Galvanised Steel
- 2 - Washer: Teflon
- 3 - Cover: Steel
- 4 - Filter element: Impregnated paper
- 5 - Ring: Galvanised Steel
- 6 - Seal: NBR
- 7 - Connection: Anodised Aluminium
Galvanised Steel

Dimension

| Type | D1 | H1 | H2 | H3 | A/F (mm) |
|--------|-----|----|------|------|----------|
| 036 | 36 | 13 | 36,5 | 9 | 22 |
| 053 | 53 | 13 | 52,5 | 7 | 22 |
| 075 G1 | | 13 | | | 27 |
| 075 G2 | 75 | 17 | 68,5 | 11,5 | 32 |
| 075 G4 | | 15 | | | 27 |
| 075 G5 | | 20 | | | 32 |
| 115 | 115 | 17 | 80 | 11 | 38 |
| 145 | 145 | 25 | 115 | 13 | 55 |
| 185 | 185 | 25 | 164 | 23 | 80 |

Flow rate with Δp : 0,02 bar

Weight

- SA 036: 0,080 Kg
- SA 053: 0,150 Kg
- SA 075: 0,260 Kg
- SA 115: 0,400 Kg
- SA 145: 0,590 Kg
- SA 185: 1,220 Kg

| Type | Flow rate l_N/min | |
|------|---------------------|------------|
| | 3 μm | 10 μm |
| 036 | 140 | 140 |
| 053 | 250 | 250 |
| 075 | 350 | 400 |
| 115 | 800 | 850 |
| 145 | 1800 | 1850 |
| 185 | 2300 | 2500 |

Connection to reservoir "A"

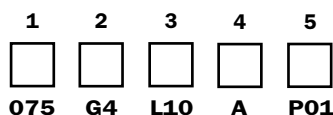
| Type | G1 | G2 | G3 | G4 | G5 | G6 |
|------|----------|--------|--------|------------|----------|----------|
| 036 | G 1/4" | G 3/8" | G 1/2" | 1/4" NPT | 3/8" NPT | 1/2" NPT |
| 053 | G 1/4" | G 3/8" | - | 1/4" NPT | 3/8" NPT | - |
| 075 | G 1/2" | G 3/4" | - | 1/2" NPT | 3/4" NPT | - |
| 115 | G 1" | - | - | 1" NPT | - | - |
| 145 | G 1 1/2" | - | - | 1 1/2" NPT | - | - |
| 185 | G 2 1/2" | - | - | 2 1/2" NPT | - | - |

Ordering information

Breather filter

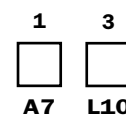
SA

Example: SA



Filter element

Example:



1 - Size

| Filter | Filter element |
|--------|----------------|
| 036 | A05 |
| 053 | A5 |
| 075 | A7 |
| 115 | A8 |
| 145 | A10 |
| 185 | A11 |

2 - Connection to reservoir

| Type | G1 | G2 | G3 | G4 | G5 | G6 |
|------|----------|--------|--------|------------|----------|----------|
| 036 | G 1/4" | G 3/8" | G 1/2" | 1/4" NPT | 3/8" NPT | 1/2" NPT |
| 053 | G 1/4" | G 3/8" | - | 1/4" NPT | 3/8" NPT | - |
| 075 | G 1/2" | G 3/4" | - | 1/2" NPT | 3/4" NPT | - |
| 115 | G 1" | - | - | 1" NPT | - | - |
| 145 | G 1 1/2" | - | - | 1 1/2" NPT | - | - |
| 185 | G 2 1/2" | - | - | 2 1/2" NPT | - | - |

3 - Filter element

| | |
|-----|--------------------------------|
| L03 | 3 μm - Impregnated paper |
| L10 | 10 μm - Impregnated paper |
| S | Without |

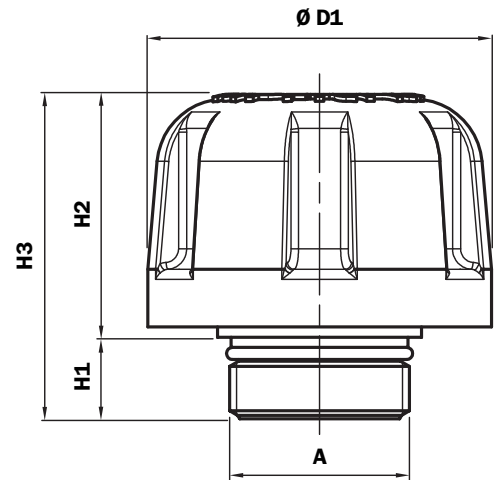
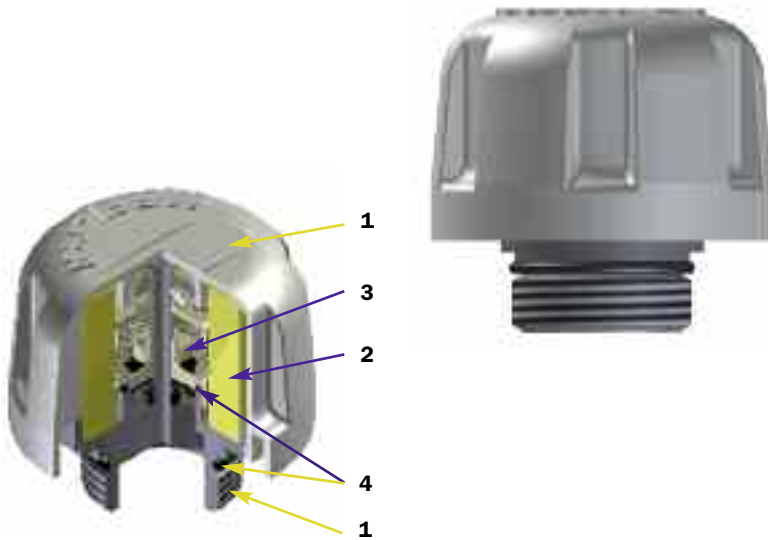
4 - Seal

| | |
|---|-----|
| A | NBR |
|---|-----|

5 - Options

| | |
|-----|--------------------|
| P01 | MP Filtri standard |
|-----|--------------------|

Dimensions



SAP050 (Materials)

- 1 - Cover/Connection: Nylon
- 2 - Filter element: Impregnated paper
Polyurethane
- 3 - Pressurisation: Nylon
Galvanised steel
NBR
- 4 - Seal: NBR

Flow rate with Δp : 0,02 bar

Filtration I_N /min
10 μm 204

Weights

SAP 050: 0,040 kg

Connection to reservoir " A "

| Type SAP 50 | | | | |
|-------------|----------|----------|--------|----------|
| G1 | G2 | G3 | G4 | G5 |
| G 1/4" | G 3/8" | G 1/2" | G 3/4" | 1/4" NPT |
| G6 | G7 | G8 | G9 | G10 |
| 3/8" NPT | 1/2" NPT | 3/4" NPT | SAE 6 | SAE 12 |

Quantity per pack Number of Parts

| | |
|-------|----|
| SAP50 | 10 |
|-------|----|

Dimensions

| Type SAP | D1 | H1 | H2 | H3 |
|----------|------|------|----|----|
| 50 G1 | | | | |
| 50 G2 | | | | |
| 50 G3 | | | | |
| 50 G4 | 50,5 | 12 | 36 | 48 |
| 50 G5 | | | | |
| 50 G6 | | | | |
| 50 G7 | | | | |
| 50 G8 | | | | |
| 50 G9 | 50,5 | 14,5 | 35 | 50 |
| 50 G10 | | | | |

Ordering information

Breather filter
SAP 1 2 3 4 5
Example: SAP50 G4 L10 A 0 P01

1 - Connection to reservoir

| | |
|-----|----------|
| G1 | G 1/4" |
| G2 | G 3/8" |
| G3 | G 1/2" |
| G4 | G 3/4" |
| G5 | 1/4" NPT |
| G6 | 3/8" NPT |
| G7 | 1/2" NPT |
| G8 | 3/4" NPT |
| G9 | SAE 6 |
| G10 | SAE 12 |

2 - Filter element

| | |
|-----|-------------------------------|
| L03 | 3 μm - Impregnated paper |
| L10 | 10 μm - Polyurethane |

3 - Seal

| | |
|---|-----|
| A | NBR |
|---|-----|

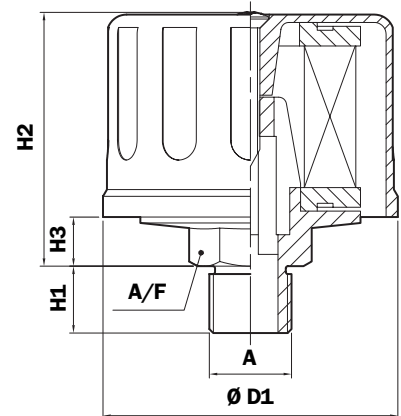
4 - Pressurisation valve

| | |
|---|---|
| 0 | Without |
| 1 | Pressurisation valve 0,5 bar Only for connection: G2 - G3 - G4 - G6 G7 - G8 - G10 |

5 - Options

| | |
|-----|--------------------|
| P01 | MP Filtri standard |
|-----|--------------------|

Dimensions



SAP 054 - 075 (Materials)

- 1 - Cover: Nylon
- 2 - Connection: Nylon
- 3 - Filter element: Impregnated paper

Weights

SAP 054: 0,060 Kg
 SAP 075: 0,150 Kg

Flow rate with Δp : 0,02 bar

| Filtration | I_N /min |
|----------------|------------|
| SAP 054 | |
| 3 μ m | 200 |
| 10 μ m | 250 |
| SAP 075 | |
| 3 μ m | 350 |
| 10 μ m | 400 |

Connection to reservoir " A "

| Type SAP | G1 | G2 | G3 | G4 | G5 |
|------------|--------|--------|----|----------|----------|
| 054 | G 3/8" | G 1/2" | - | 1/2" NPT | - |
| 075 | G 1/2" | G 3/4" | - | 1/2" NPT | 3/4" NPT |

Dimensions

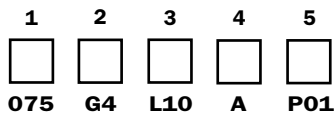
| Type SAP | D1 | H1 | H2 | H3 | A/F (mm) | |
|---------------|----|------|----|----|----------|----|
| 054 G1 | 54 | 13,5 | 51 | 8 | 22 | |
| 054 G2 | | | | | 27 | |
| 054 G4 | | | | | | |
| 075 G1 | 75 | 17 | 64 | 9 | 32 | |
| 075 G2 | | | | | 27 | |
| 075 G4 | | | | | | 32 |
| 075 G5 | | | | | | |

Ordering information

Breather filter

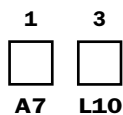
SAP

Example: SAP



Filter element

Example:



1 - Size

Filter



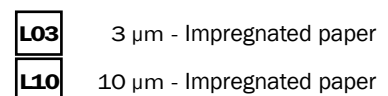
Filter element



2 - Connection to reservoir

| | SAP 054 | SAP 075 |
|-----------|----------|----------|
| G1 | G 3/8" | G 1/2" |
| G2 | G1/2" | G 3/4" |
| G3 | - | - |
| G4 | 1/2" NPT | 1/2" NPT |
| G5 | - | 3/4" NPT |

3 - Filter element



4 - Seal



5 - Options



Series SAP 115

Nylon air breather filter

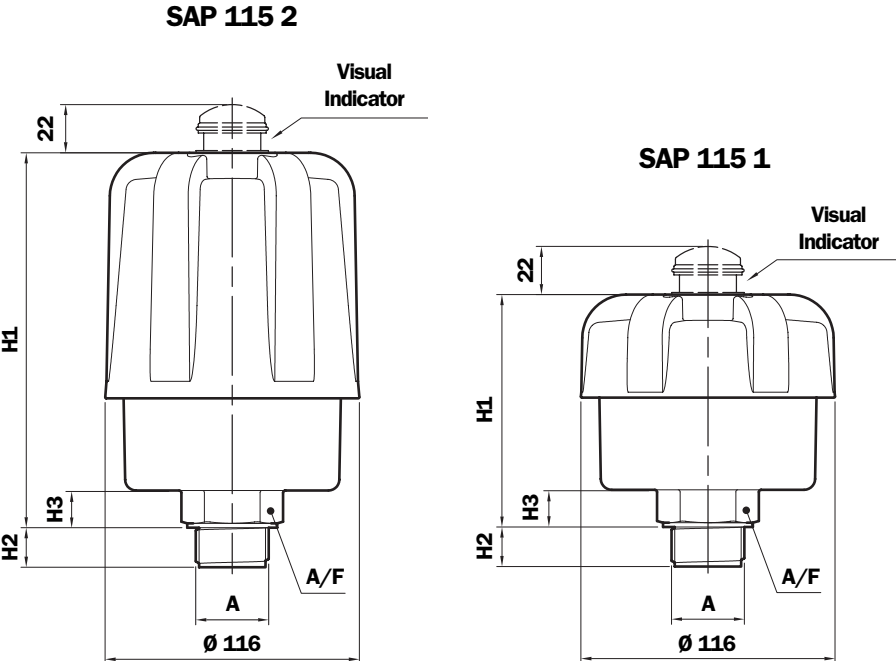


Clogging indicator
Set pressure: - 0.062 bar ± 10%
Manual reset

- SAP115 (Materials)**
- 1 - Cover: Nylon
 - 2 - Filter element: Microfibre
Impregnated paper
 - 3 - Connection: Nylon
 - 4 - Seals: NBR
FPM

Weight
 SAP 115 1: 0,410 Kg
 SAP 115 2: 0,525 Kg

Dimensions



SAP 115 1 - Dimension

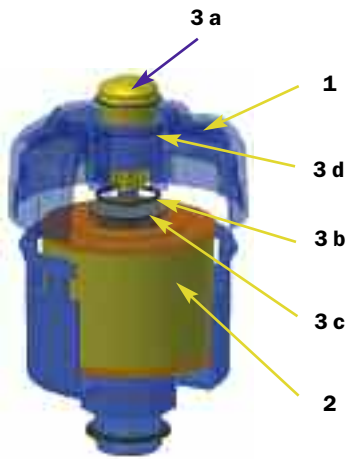
| Connection | A | A/F | H1 | H2 | H3 |
|------------|----------|-----|-----|----|----|
| A | G 1" | 41 | 106 | 18 | 17 |
| B | M33x2 | 41 | 106 | 18 | 17 |
| C | G 1 1/2" | 55 | 111 | 23 | 22 |

SAP 115 2 - Dimension

| Connection | A | A/F | H1 | H2 | H3 |
|------------|----------|-----|-----|----|----|
| A | G 1" | 41 | 171 | 18 | 17 |
| B | M33x2 | 41 | 171 | 18 | 17 |
| C | G 1 1/2" | 55 | 176 | 23 | 22 |

Flow rate with Δp: 0,02 bar

| Connection | Filtration | l _v /min | |
|---------------|------------|---------------------|-----------|
| | | SAP 115 1 | SAP 115 2 |
| G 1" M33x2 | L10 | 2170 | 2800 |
| | A03 | 1830 | 2800 |
| G 1 1/2" | L10 | 2330 | 3000 |
| | A03 | 1995 | 3000 |



TAP SAP 115 spare parts

| Item. | Description | Q.ty | Filler cap series SAP 115 | |
|-------|--------------------------|------|---------------------------|-----------------|
| 1 | Complete filler cap | 1 | See order table | |
| 2 | Filter Element | 1 | See order table | |
| 3 | Indicator kit | 1 | NBR 02005187 | FPM 02005188 |
| 3a | Visual indicator | 1 | S62P01 | |
| 3b | Seal | 1 | O-R 3106 Ø 26,64 X 2,62 | |
| 3c | Indicator securing screw | 1 | 01022670 | |
| 3d | O-R indicator | 1 | O-R 2112 Ø 28,3 x 1,78 | |

Changing the filter element in SAP 115 series filler caps

- 1 Thoroughly clean the filler cap and adjacent parts.
- 2 Unscrew and raise the cover.
- 3 Replace the filter element.
- 4 Screw the cover.



Ordering information

Breather filter
SAP115
Example: SAP115

| | | | | | | |
|---|---|-----|---|---|---|-----|
| 1 | 2 | 3 | 4 | 5 | 6 | 7 |
| 2 | A | A03 | A | 1 | B | P01 |

Filter element
A115
Example: A115

| | | |
|---|-----|-----|
| 1 | 3 | 7 |
| 2 | A03 | P01 |

1 - Length

| |
|---|
| 1 |
| 2 |

2 - Connection

| | |
|---|----------|
| A | G 1" |
| B | M33x2 |
| C | G 1 1/2" |

3 - Filter element

| | |
|-----|---------------------------|
| A03 | 3 µm - Microfibre |
| L10 | 10 µm - Impregnated paper |

4 - Seal

| | |
|---|-----|
| A | NBR |
| V | FPM |

5 - Variants

| | |
|---|--------------------------|
| 0 | Standard |
| 1 | With anti-splash feature |

6 - Clogging indicator

| | |
|---|------------------|
| A | Without |
| B | Visual indicator |

7 - Options

| | |
|-----|--------------------|
| P01 | MP Filtri standard |
|-----|--------------------|

Flow rate with Δp : 0,02 bar



SCS XXX C

| Type | Filtration I _N /min | |
|---------|--------------------------------|------|
| | P10 | A03 |
| SCS 050 | P10 | 550 |
| | A03 | 515 |
| | A10 | 530 |
| SCS 070 | P10 | 550 |
| | A03 | 515 |
| | A10 | 530 |
| SCS 100 | P10 | 1415 |
| | A03 | 1300 |
| | A10 | 1330 |
| SCS 150 | P10 | 1415 |
| | A03 | 1300 |
| | A10 | 1330 |



SCS XXX F

SCS (Materials)

Riser: Galvanised Steel

Weight

SCS050...G1: 0,200 Kg
 SCS050...G2: 0,265 Kg
 SCS100...G1: 0,450 Kg
 SCS100...G2: 0,645 Kg

Weight

CS/CG050: 0,73 Kg
 CS/CG070: 0,95 Kg
 CS100: 1,3 Kg
 CS150: 1,6 Kg
 CG100: 1,3 Kg
 CG150: 1,6 Kg

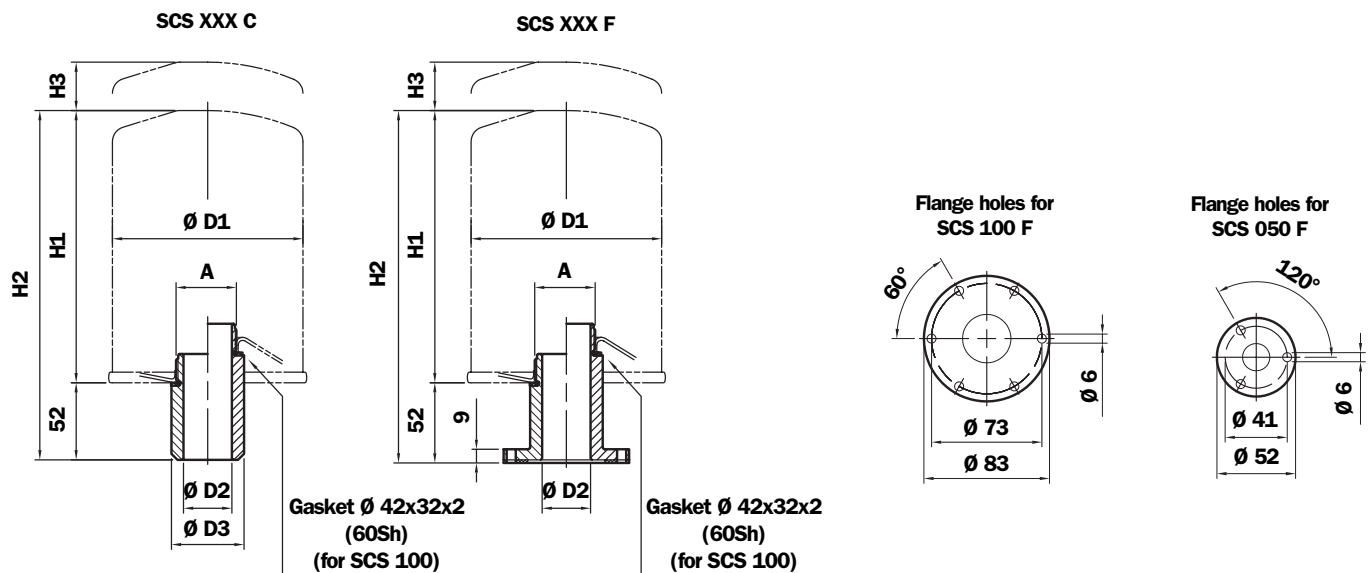
Dimensions SCS - CS - CG

| Type | D1 | H1 | H2 | H3 |
|----------|-----|-----|-----|----|
| CS/CG050 | 96 | 143 | 195 | 20 |
| CS/CG070 | 96 | 210 | 262 | 20 |
| CS100 | 129 | 180 | 232 | 25 |
| CS150 | 129 | 220 | 272 | 25 |
| CG100 | 129 | 180 | 232 | 30 |
| CG150 | 129 | 265 | 317 | 30 |

SCS Riser dimensions

| Type | A | D2 | D3 |
|-------------|--------------|----|----|
| SCS050...G1 | G 3/4" | 18 | 32 |
| SCS050...G2 | 1" 12 UN | 18 | 32 |
| SCS100...G1 | G 1 1/4" | 32 | 48 |
| SCS100...G2 | 1 1/2" 16 UN | 32 | 48 |

Dimensions



Ordering information

| | | | | | | |
|------------------------|--------------------------|--------------------------|--------------------------|--------------------------|--------------------------|--------------------------|
| Breather filter | 2 | 3 | 4 | 5 | 6 | 7 |
| SCS | <input type="checkbox"/> | <input type="checkbox"/> | <input type="checkbox"/> | <input type="checkbox"/> | <input type="checkbox"/> | <input type="checkbox"/> |
| Example: SCS | 050 | F | G1 | A10 | A | P01 |
| Riser only | | | | | | |
| SCS | <input type="checkbox"/> | <input type="checkbox"/> | <input type="checkbox"/> | <input type="checkbox"/> | <input type="checkbox"/> | <input type="checkbox"/> |
| Example: SCS | 050 | F | G1 | A | P01 | |
| Filter element | 1 | 2 | 5 | 6 | 7 | |
| Example: | CS | 050 | A10 | A | P01 | |

1 - Filter element type

- CS** Connection ISO 228 for SCS.....G1
- CG** Connection A.S.A. for SCS.....G2

2 - Size

- 050**
- 070** Riser assembly excluded
- 100**
- 150** Riser assembly excluded

3 - Connection to reservoir

- C** Weld riser
- F** Flange riser

4 - Threaded connection

- G1** G 3/4" for SCS 050/070
G 1 1/4" for SCS 100/150

G1 with filter elements series CS

- G2** 1" - 12 UNF for SCS 050/070
1-1 1/2" UN for SCS 100/150

G2 with filter elements series CG

5 - Filter element

- A03** 3 µm - Microfibre
- A10** 10 µm - Microfibre
- P10** 10 µm - Impregnated paper

6 - Seal

- A** NBR
- V** FPM

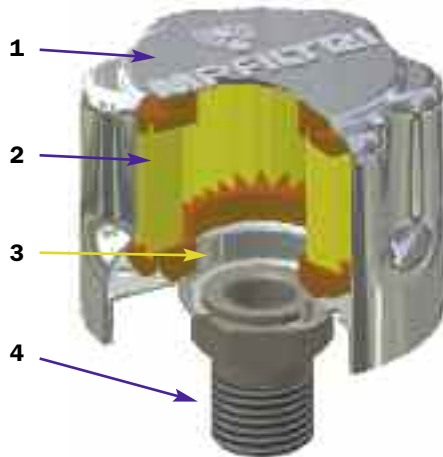
7 - Options

- P01** MP Filtri standard

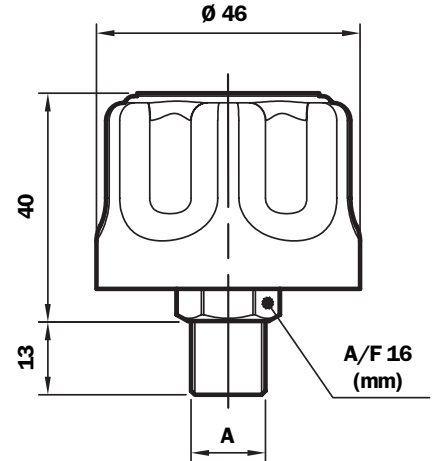
Dimensions

TA46G-N...P01

With filter



Threaded connection



TA46 G - N (Materials)

- 1 - Cover: Chrome plated steel
- 2 - Filter element: Impregnated paper
Polyurethane
- 3 - Flange: Galvanised Steel
- 4 - Threaded connection: Phosphated Steel

Flow rate with $\Delta p: 0,02$ bar

| Filtration | l_N/min |
|------------|-----------|
| 3 μm | 150 |
| 10 μm | 200 |

Weight

TA 46: 0,110 kg

| Connection | A |
|------------|----------|
| G | G 1/4" |
| N | 1/4" NPT |

Ordering information

Breather filter

| | 1 | 2 | 3 |
|----------------------|--------------------------|--------------------------|--------------------------|
| TA46 | <input type="checkbox"/> | <input type="checkbox"/> | <input type="checkbox"/> |
| Example: TA46 | G | 03 | P01 |

1 - Connection to reservoir

| | |
|----------|----------|
| G | G 1/4" |
| N | 1/4" NPT |

3 - Options

| | |
|------------|--------------------|
| P01 | MP Filtri standard |
|------------|--------------------|

2 - Filter element

| | |
|-----------|-------------------------------|
| 03 | 3 μm - Impregnated paper |
| 10 | 10 μm - Polyurethane |

TA80.....P01

With filter



TA80.03.9P01

With anti-splash feature



TA80....1P01

With filter and pressurisation valve



Ordering information

Breather filter

TA80

Example: TA80

| | | | | |
|--------------------------|--------------------------|--------------------------|--------------------------|--------------------------|
| 1 | 2 | 3 | 4 | 5 |
| <input type="checkbox"/> | <input type="checkbox"/> | <input type="checkbox"/> | <input type="checkbox"/> | <input type="checkbox"/> |
| G | 03 | A | 1 | P01 |

1 - Connection to reservoir

| | |
|---|----------|
| G | G 3/4" |
| N | 3/4" NPT |

2 - Filter element

| | |
|----|--------------------------|
| 03 | 3 µm - Impregnated paper |
| 10 | 10 µm - Polyurethane |

3 - Seal

| | |
|---|------------------------|
| 0 | Without |
| A | NBR (pressurised only) |

4 - Valves

| | |
|---|--|
| 0 | Without |
| 1 | 0,3 bar pressurisation valve |
| 2 | 0,7 bar pressurisation valve |
| 9 | Anti-splash feature (only with filter element 3 µm) |

5 - Options

| | |
|-----|--------------------|
| P01 | MP Filtri standard |
|-----|--------------------|

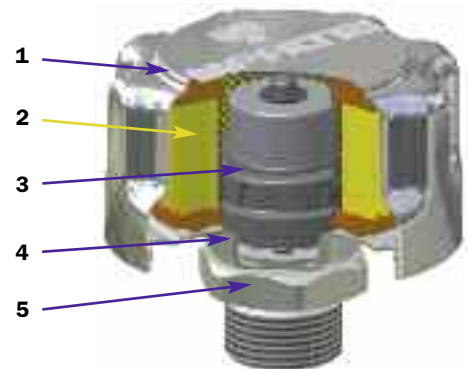
Flow rate with Δp : 0,02 bar

| Filtration | I_N /min |
|------------|------------|
| 3 µm | 450 |
| 10 µm | 550 |

Weight

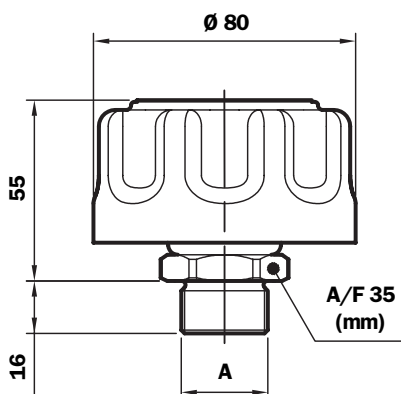
TA 80: 0,350 Kg

TA80



Dimensions

Threaded connection



| Connection | A |
|------------|----------|
| G | G 3/4" |
| N | 3/4" NPT |

TA80 G (Materials)

- 1 - Cover: Chrome Plated Steel
- 2 - Filter element: Impregnated paper
Polyurethane
- 3 - Pressurisation valve: Nylon
Galvanised Steel
NBR
- 4 - Flange: Galvanised Steel
- 5 - Threaded connection: Galvanised Steel
- 6 - Anti-slosh feature: Galvanised Steel

Ordering information

| | | | | | | |
|------------------------|--------------------------|--------------------------|--------------------------|--------------------------|--------------------------|--------------------------|
| Breather filter | 1 | 2 | 3 | 4 | 5 | 6 |
| TAP90 | <input type="checkbox"/> | <input type="checkbox"/> | <input type="checkbox"/> | <input type="checkbox"/> | <input type="checkbox"/> | <input type="checkbox"/> |
| Exemple: TAP90 | G | 03 | 0 | 1 | L | P01 |

1 - Connection to reservoir

| | |
|----------|----------|
| G | M52x2 |
| H | G 1 1/2" |
| L | G 1 1/4" |
| M | 3/4" NPT |
| N | 1" NPT |
| Q | G 3/4" |

2 - Filter element

| | |
|-----------|--------------------------|
| 03 | 3 µm - Impregnated paper |
| 10 | 10 µm - Polyurethane |

3 - Seal

| | |
|----------|-------------------|
| 0 | Without |
| A | NBR (pressurised) |

4 - Pressurisation valve

| | |
|----------|------------------------------|
| 0 | Without |
| 1 | 0,3 bar pressurisation valve |
| 2 | 0,7 bar pressurisation valve |

5 - Variants

| | |
|----------|-------------------------------|
| 0 | Standard |
| A | With Dipstick |
| L | With Padlock tab |
| F | With Dipstick and Padlock tab |

6 - Options

| | |
|------------|--------------------|
| P01 | MP Filtri standard |
|------------|--------------------|



TAP90 (Materials)

- 1 - Cover/ringnut:** Nylon
- 2 - Breather filter:** Impregnated paper
Polyurethane
- 3 - Seal:** NBR

Flow rate with Δp: 0,02 bar

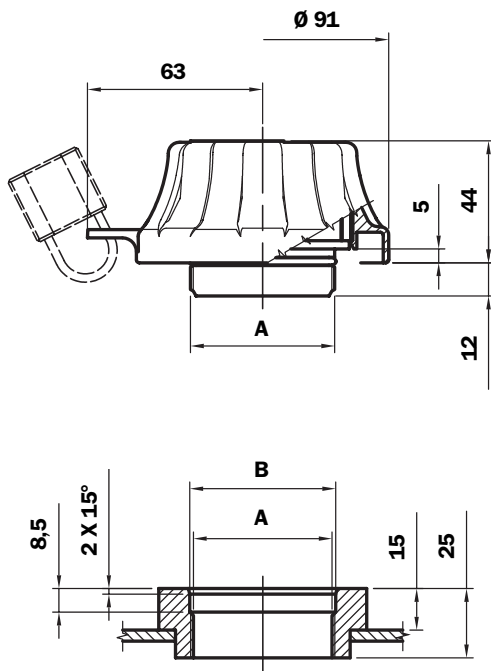
| Filtration | I _N /min |
|------------|---------------------|
| 3 µm | 450 |
| 10 µm | 550 |

Weight

TAP 90: 0,130 Kg

Dimensions

TAP 90 for connection on weld flange



| | A | B |
|----------|----------|--------|
| G | M52x2 | Ø 52,5 |
| H | G 1 1/2" | Ø 48,5 |
| L | G 1 1/4" | Ø 42 |
| M | 3/4" NPT | - |
| N | 1" NPT | - |
| Q | G 3/4" | - |

TAP G
With Pressurisation



TAP G
With Dipstick

