

Series LEG

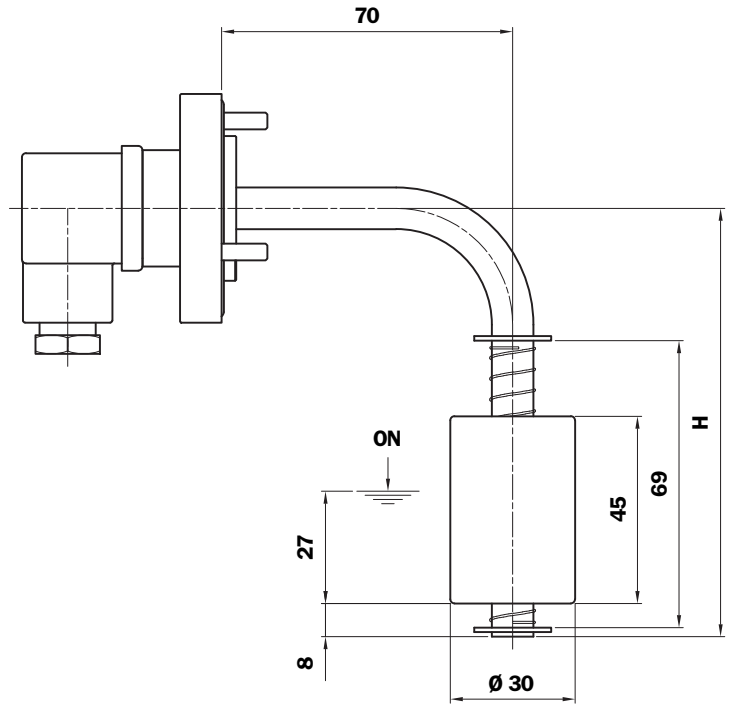


LEG (Materials)

- Flange: Aluminium
- Tube: Brass
- Float: Nylon foam
- O-Ring: NBR
- Circlip: Phosphor bronze
- Contact: N.C. reed (N.O. on request)
- Protection rating: IP65
- Max switching capacity: 80 W
- Max switching current: 1 A
- Max switching voltage: 250 Vac
- Fluid specific gravity: > 0.75

Weight

180 gr (for L= 103 mm)



Length	H mm
102	102
200	200

LEG 1 Float



To invert the contact status from N.O. to N.C. and vice versa, simply invert the float.

Ordering information LEG

Electrical level indicator

LEG

Example: LEG

1	2	3	4	5	6	7	8	9
<input type="checkbox"/>	<input type="checkbox"/>	<input type="checkbox"/>	<input type="checkbox"/>	<input type="checkbox"/>	<input type="checkbox"/>	<input type="checkbox"/>	<input type="checkbox"/>	<input type="checkbox"/>
A	200	1	A	1	A	F	S	P01

1 - Tube material

A Brass

2 - Length

102
 200

3 - Number of float

1 Nr. 1 float

4 - Float material

A Nylon foam

5 - Contact

1 N.C.

6 - Seal

A NBR

7 - Type of fixing

F 3 holes flange

8 - Electrical connection

S DIN 43650 connector

9 - Option

P01 MP Filtri standard
 Pxx On request

Note: Versions in stainless steel or different lengths from those indicated are available.

For customization features other than those indicated on this page, contact the Technical and Sales Department

Series LEM



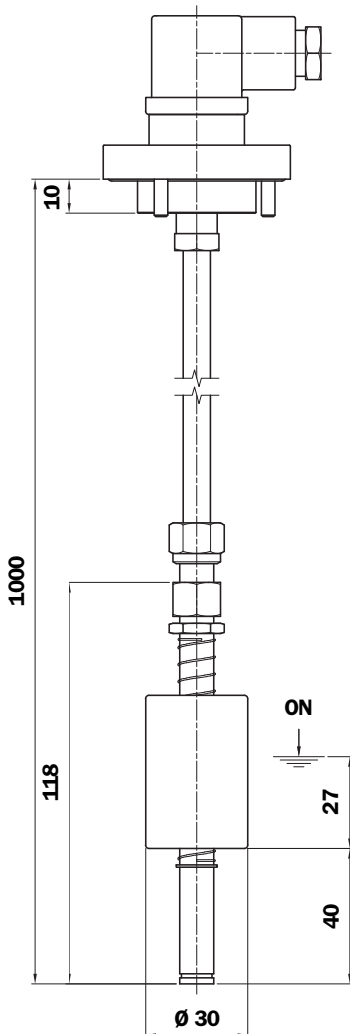
LEM (Materials)

- Flange/Threaded body: Aluminium
- Tube: Brass
- Float: Nylon foam
- O-Ring: NBR
- Circlip: Phosphor bronze
- Float contact: N.C. reed (N.O. on request)
- Thermostat contact: N.O. (N.C. on request)
- Protection rating: IP65
- Max switching capacity: 80 W
- Max switching current: 1 A
- Max switching voltage: 250 Vac
- Fluid specific gravity: > 0.75

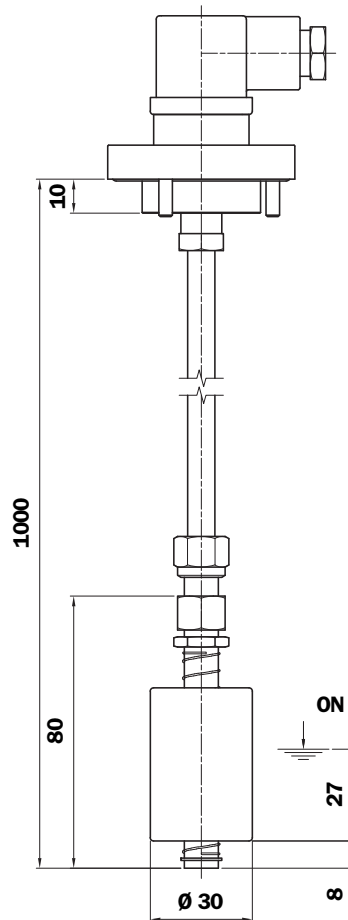
Weight

406 gr

**LEM
With thermostat**



**LEM
Without thermostat**



Wiring

Float only:

- Use Connectors 1 and 2 (both WHITE wires)

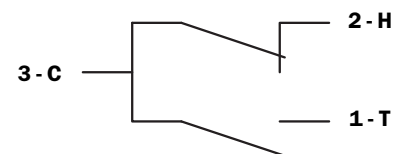
Float + Thermostat:

- 1 Thermostat: BROWN wire
- 2 Float: WHITE wire
- 3 Common: ORANGE wire

LEM 1 Float + Without Thermostat



LEM 1 Float + With Thermostat



To invert the contact status from N.O. to N.C. and vice versa, simply invert the float.

1



Cut the tube to the required length.

2

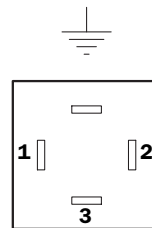


Secure the level indicator to the tube by means of the ferrule system (14 mm wrench), routing the connection wires out of the part opposite to the fixing.

3



Secure the connector support to the tube by mean of the ferrule system (14 mm wrench).



Wire the connector.

Electrical level indicator

LEM

Example: LEM

1	2	3	4	5	6	7	8
<input type="checkbox"/>	<input type="checkbox"/>	<input type="checkbox"/>	<input type="checkbox"/>	<input type="checkbox"/>	<input type="checkbox"/>	<input type="checkbox"/>	<input type="checkbox"/>
A	A	1	A	F	S	70	P01

1 - Tube material

A Brass

2 - Float material

A Nylon foam

3 - Contact

1 N.C.

4 - Seal

A NBR

5 - Type of fixing

F 3 holes flange

6 - Electrical connection

S DIN 43650 connector

7 - Thermostat trip temperature

00 Without thermostat

60 60°C - N.O.

8 - Option

P01 MP Filtri standard

Pxx On request

Ordering information LEM

Series LEN



LEN (Materials)

- Flange/Threaded body: Aluminium
- Tube: Brass (AISI 304 on request)
- Float: Nylon foam (AISI 316 on request)
- O-Ring: NBR
- Circlip: Phosphor bronze
- Contact: N.C. reed (N.O. on request)
- Protection rating: IP65
- Max switching capacity: 80 W
- Max switching current: 1 A
- Max switching voltage: 250 Vac
- Fluid specific gravity: > 0.75

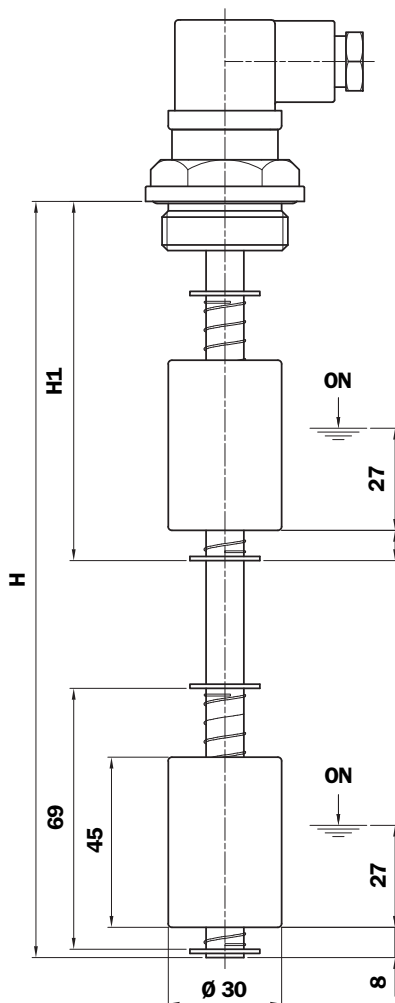
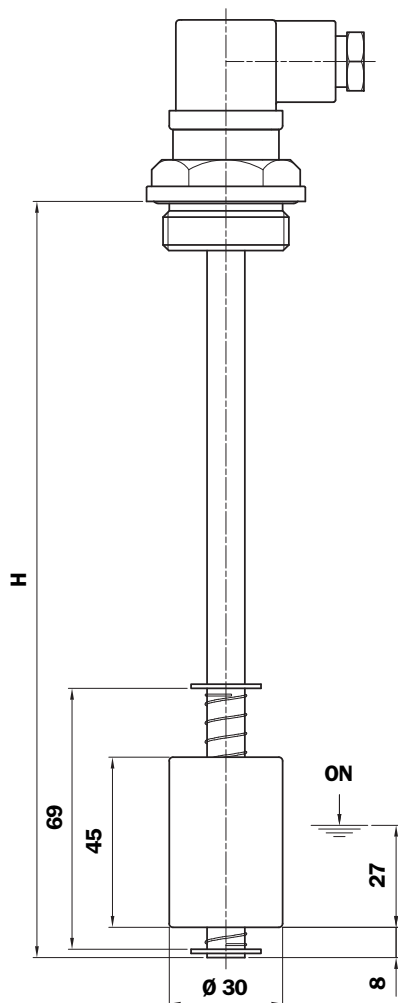
Weight

185 gr (for 1 float L= 150 mm)

230 gr (for 2 floats L= 200 mm)

LEN 1 Float

LEN 2 Floats

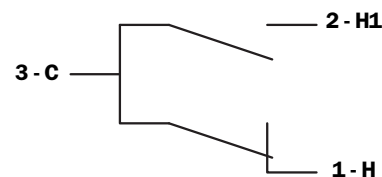


Functional diagram
LEN 1 Float



To invert the contact status from N.O. to N.C. and vice versa, simply invert the float.

Functional diagram
LEN 2 Floats



To invert the contact status from N.O. to N.C. and vice versa, simply invert the float.

Length	H mm	H1 mm
100	100	-
150	150	-
200	200	95
250	250	105
300	300	105
350	350	115
400	400	115
500	500	125

Electrical level indicator LEN

	1	2	3	4	5	6	7	8	9
	<input type="checkbox"/>	<input type="checkbox"/>	<input type="checkbox"/>	<input type="checkbox"/>	<input type="checkbox"/>	<input type="checkbox"/>	<input type="checkbox"/>	<input type="checkbox"/>	<input type="checkbox"/>
Example: LEN	A	200	2	A	1	A	F	S	P01

1 - Tube material

A Brass

2 - Length

100

150

200

250

350

400

500

3 - Number of float

1 Nr. 1 float

2 Nr. 2 floats (starting from length 200)

4 - Float material

A Nylon foam

5 - Contact

1 N.C.

6 - Seal

A NBR

7 - Type of fixing

F 3 holes flange

G G 1" thread connection

8 - Electrical connection

S DIN 43650 connector

9 - Option

P01 MP Filtri standard

Pxx On request

Note: Versions in stainless steel or different lengths from those indicated are available.

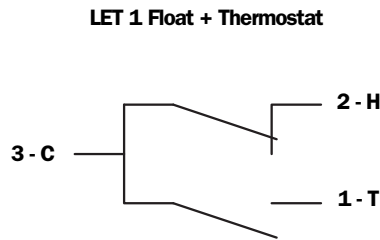
For customization features other than those indicated on this page, contact the Technical and Sales Department

MP Filtri - The filter functions as described in this bulletin are valid exclusively for original MP Filtri filter elements and replacement parts. All rights reserved

The data in this publication are purely guideline. MP Filtri reserves the right to make changes to the models described herein at any time it deems fit in relation to technical or commercial requirements. The colours of the products shown on the cover are purely guideline. Copyright. All rights reserved.

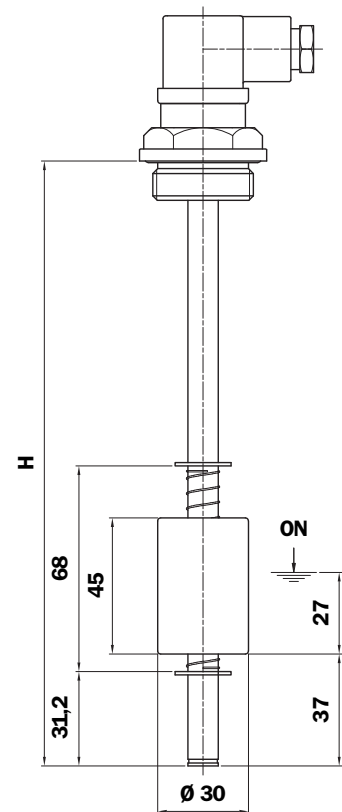


LET 1 Float + Thermostat



To invert the contact status from N.O. to N.C. and vice versa, simply invert the float.

Length	H mm
100	100
200	200
300	300
400	400



LET (Materials)

- Flange/Threaded body: Aluminium
- Tube: Brass (AISI 304 on request)
- Float: Nylon foam (AISI 316 on request)
- O-Ring: NBR
- Circlip: Phosphor bronze
- Contact: N.C. reed (N.O. on request)
- Protection rating: IP65
- Max switching capacity: 80 W
- Max switching current: 1 A
- Max switching voltage: 250 Vac
- Fluid specific gravity: > 0.75

Weight

200 gr (for L= 200 mm)

Ordering information LET

Electrical level indicator

LET

Example: LET

1	2	3	4	5	6	7	8	9	10
<input type="checkbox"/>	<input type="checkbox"/>	<input type="checkbox"/>	<input type="checkbox"/>	<input type="checkbox"/>	<input type="checkbox"/>	<input type="checkbox"/>	<input type="checkbox"/>	<input type="checkbox"/>	<input type="checkbox"/>
A	200	1	A	1	A	F	S	50	P01

1 - Tube material

A Brass

2 - Length

- 100
 200
 300
 400

3 - Number of float

1 Nr. 1 float

4 - Float material

A Nylon foam

5 - Contact

1 N.C.

6 - Seal

A NBR

7 - Type of fixing

- F 3 holes flange
 G G 1" thread connection

8 - Electrical connection

S DIN 43650 connector

9 - Thermostat trip temperature

50 50°C - N.O.

10 - Option

- P01 MP Filtri standard
 Pxx On request

Note: Lengths and thermostat trip temperatures from those indicated are available.

For customization features other than those indicated on this page, contact the Technical and Sales Department

Series LEU



LEU (Materials)

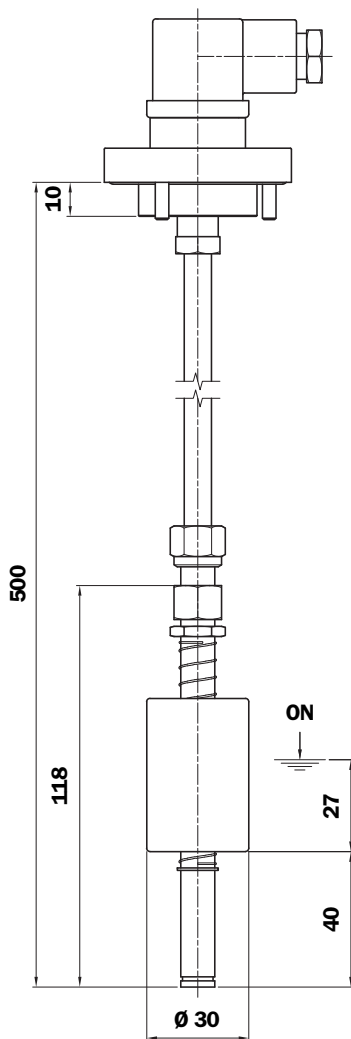
- Flange: Aluminium
- Tube: AISI 304
- Float: Hard rubber (AISI 316 on request)
- O-Ring: NBR
- Circlip: AISI 304
- Float contact: N.C. reed (N.O. on request)
- Protection rating: IP65
- Max switching capacity: 50 W
- Max switching current: 0.5 A
- Max switching voltage: 250 Vac
- Fluid specific gravity: > 0.75

Weight

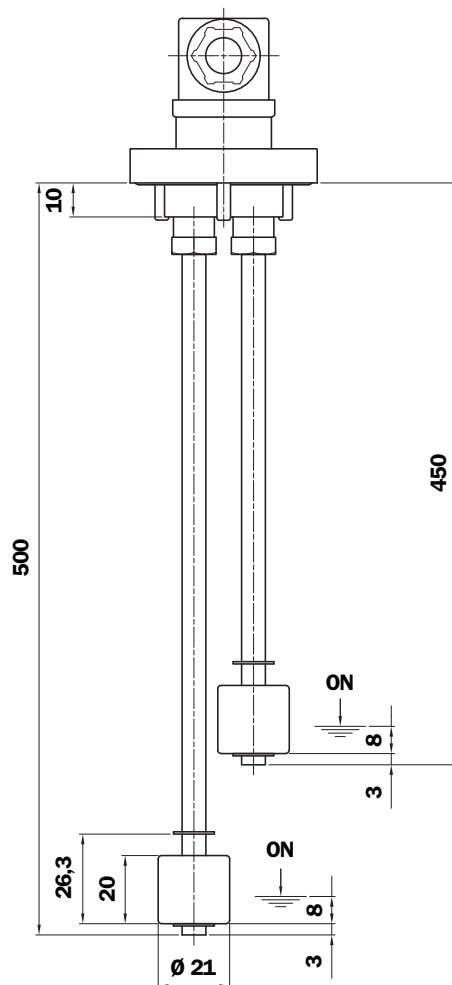
310 gr (for 1 float)

415 gr (for 2 floats)

**LEU
1 Float**



**LEU
2 Floats**



Wiring

1 Float:

- Use Connectors 1 and 2 (both WHITE wires)

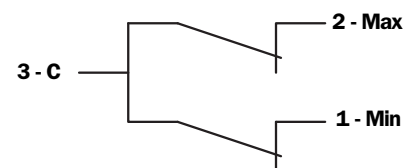
MIN and MAX floats:

- 1 Minimum: BLACK wire
- 2 Maximum: RED wire
- 3 Common: Both WHITE wires

LEU 1 Float



LEU 2 Min and Max floats



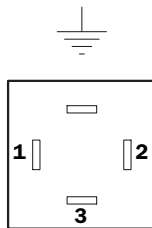
To invert the contact status from NO to NC and vice versa, simply invert the float.

2

1



Cut the tubes to the required length.



Wire the connector.



Secure the level indicators to the connector support by means of the ferrule system (14 mm wrench).

Ordering information LEU

Electrical level indicator

LEU

Example: LEU

1	2	3	4	5	6	7	8
<input type="checkbox"/>	<input type="checkbox"/>	<input type="checkbox"/>	<input type="checkbox"/>	<input type="checkbox"/>	<input type="checkbox"/>	<input type="checkbox"/>	<input type="checkbox"/>
A	1	A	1	A	F	S	P01

1 - Tube material

- A** Brass (only version 1 float)
- B** AISI 304 (only version 2 floats)

2 - Number of float

- 1** Nr. 1 float
- 2** Nr. 2 floats

3 - Float material

- A** Nylon foam (only version 1 float)
- B** NBR (only version 2 floats)

4 - Contact

- 1** N.C.

5 - Seal

- A** NBR

6 - Type of fixing

- F** 3 holes flange

7 - Electrical connection

- S** DIN 43650 connector

8 - Option

- P01** MP Filtri standard
- Pxx** On request

Series LVK

Description

Visual/electric level indicator with temperature controls for both static and mobile applications.

Completely transparent, it provides a view of the fluid over the entire length, both from the front and on both sides.

The quality and thickness, 4 millimetres, of the construction material provides the utmost dependability and mechanical strength without any need for additional protection.

LVK (Materials)

1 - Body: Polyamide

2 - Screws: Nickel Plated Brass (Standard)
AISI 316 (Option)

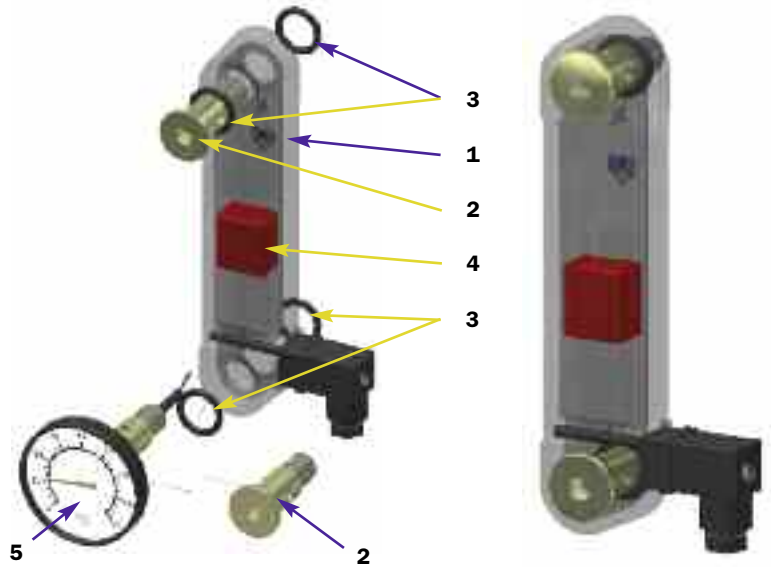
3 - Seals: NBR (Standard)
FPM (Option)

4 - Float: Polyamide

5 - Sensor thermometer: Screw + thermometer

Temperatures: from -20 °C to +80 °C

Screw tightening torque: 10Nm

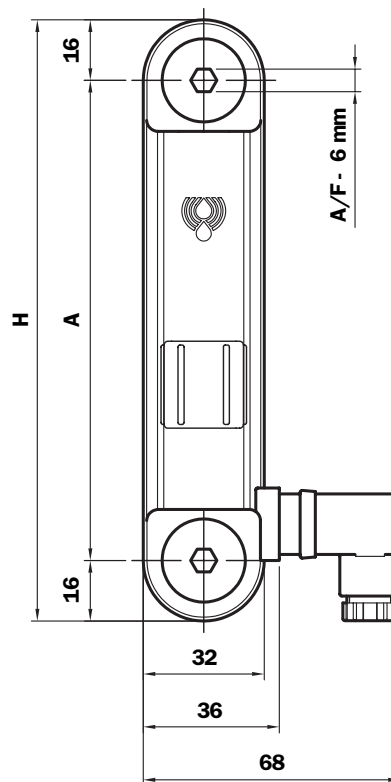
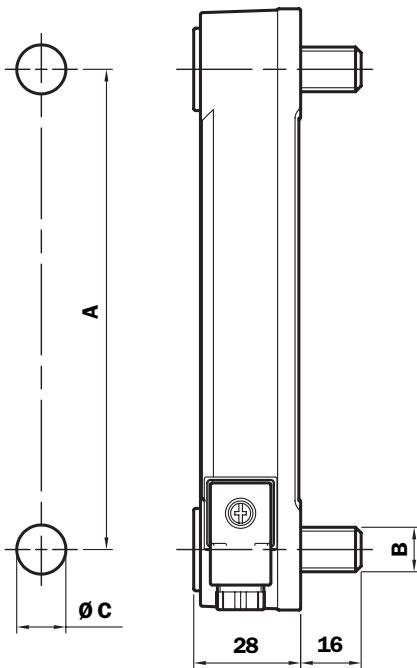


Compatibility

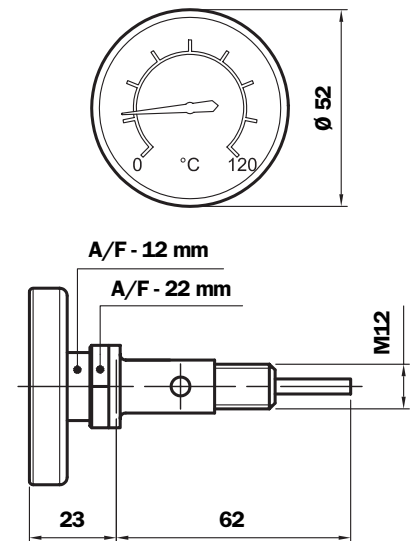
- NBR seals, compatible with:
Mineral oils to ISO 2943 - aqueous emulsions
Synthetic fluids, glycol water.
- FPM seals, compatible with:
Synthetic fluids type HS-HFDR-HFDS-HFDU.

Dimensions

Reservoir holes



Sensor thermometer



Weight

LVK10: 0,14 Kg

LVK20: 0,17 Kg

LVK30: 0,25 Kg

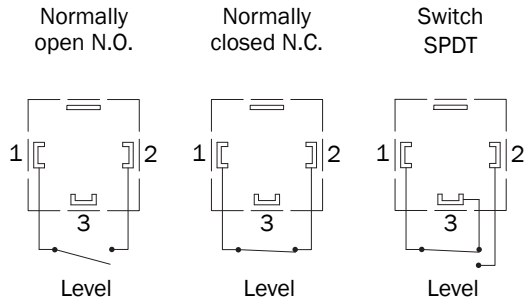
Size	A	H	Type	B	C
LVK10	76	108	LVK.....M10	M10	10,5
LVK20	127	159	LVK.....M12	M12	12,5
LVK30	254	286			

Weight (Kg)

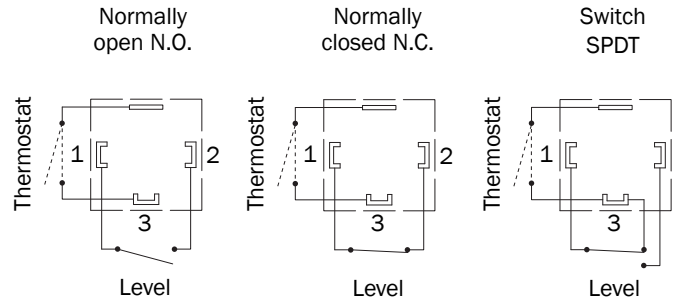
TV12	0,100	Kit Sensor thermometer + Screw M12

Combination of available electrical contacts

Electrical contact with no liquid

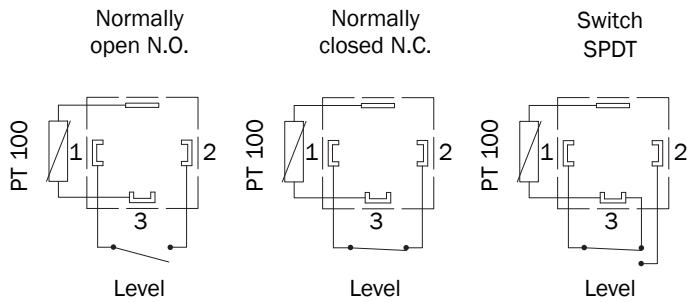


Electrical contact with no liquid + thermostat

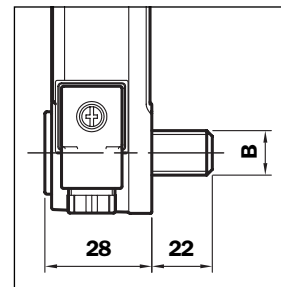


Available thermostated contact N.C. - N.O. in both setups

Electrical contact with no liquid + PT 100



Dimension screw + electrical contact + thermostated or PT 100



Thermostat electrical specifications

Voltage: 250 V Switchable
 Frequency: 50 Hz
 Load values: 4.0 A. $\cos \varphi$ 0.6 (IMOT)
 6,3 A. $\cos \varphi$ 1 (IN)
 Max load: 10 A. $\cos \varphi$ 1
 Switching temperature: 50°C - 60°C - 70°C
 Tolerances: $\pm 5^\circ\text{C}$

Electrical specifications

Contact with no liquid

	N.O. N.C.	Switch
D.C. Switchable Power	40 W	20 W
D.C. current intensity - A.C.	40 V.A.	-
Switchable voltage.	2 A	1 A
Voltage switchable	230 V	150 V

Protection degree: IP65

Ordering information

Level indicator
LVK
 Example: LVK 20 A M12 1 S S P01

1 - Size

10
20
30

2 - Seal

A NBR

3 - Connection

M10 Screws M10
 M12 Screws M12 (Standard)

4 - Electrical contacts with no liquid

1 N.O.
 2 N.C.
 3 Switch SPDT

5 - Style

S Standard
 T Thermostat
 P PT 100

Only for connection M12

6 - Thermostat

S Standard without
 1 50° N.O.
 2 60° N.O.
 3 70° N.O.
 5 50° N.C.
 6 60° N.C.
 7 70° N.C.

Only for style T

8 - Options

P01 MP Filtri standard

Accessories/Options*

TV12	Kit w/ Sensor thermometer Screw M12	M12 X	Kit w/ Screws M12 stainless steel AISI 316
M10 X	Kit w/ Screws M10 stainless steel AISI 316	02050432	Kit w/ FPM seals

* All the accessories are supplied separately from code LVK