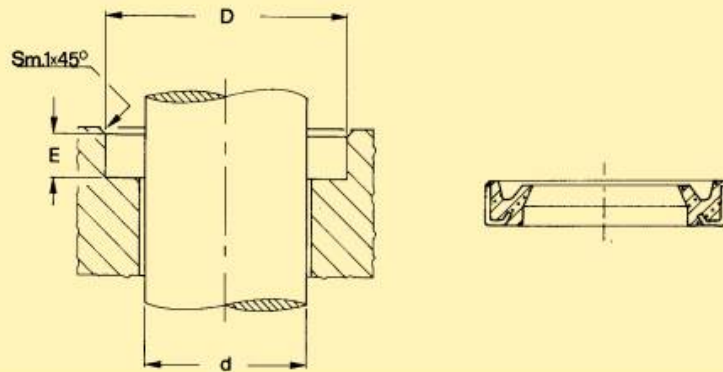


d nominal	Nominal dimension tolerances		
	d	D	E
0 ÷ 250	ISO (h 11)	ISO (H 8)	+ 0.10 - 0.00
Reference	Nominal dimensions		
	d	D	E
SWP 2538	25.00	38.00	7.50
* SWP 3040	30.00	40.00	4.00
* SWP 3043	30.00	43.00	7.50
* SWP 3545	35.00	45.00	4.00
SWP 3550	35.00	50.00	7.50
SWP 3648	36.00	48.00	6.00
SWP 3850	38.00	50.00	7.50
* SWP 4050	40.00	50.00	4.00
SWP 4052	40.00	52.00	6.00
* SWP 4555	45.00	55.00	4.00
* SWP 4555/1	45.00	55.00	3.20
SWP 4560	45.00	60.00	7.50
* SWP 5060	50.00	60.00	4.00
* SWP 5063	50.00	63.00	4.00
SWP 5065	50.00	65.00	7.50
* SWP 5565	55.00	65.00	3.20
* SWP 5568	55.00	68.00	4.00
SWP 5570	55.00	70.00	7.50
SWP 5670	56.00	70.00	7.50
SWP 6075	60.00	75.00	7.50

* Can be used as "Dust Pin Seal"

Dimension table - SWP



d nominal	Nominal dimension tolerances		
	d	D	E
0 ÷ 250	ISO (h 11)	ISO (H 8)	+ 0.10 - 0.00
Reference	Nominal dimensions		
	d	D	E
* SWP 6075/1	60.00	75.00	4.00
SWP 6378	63.00	78.00	7.50
SWP 6580	65.00	80.00	7.50
* SWP 6580/1	65.00	80.00	5.00
* SWP 7080	70.00	80.00	5.00
SWP 7084	70.00	84.00	8.00
SWP 7085	70.00	85.00	7.50
* SWP 7186	71.00	86.00	5.00
SWP 7590	75.00	90.00	7.50
SWP 7595	75.00	95.00	10.00
SWP 7696	76.50	96.50	10.00
SWP 8095	80.00	95.00	7.50
* SWP 8095/1	80.00	95.00	5.00
SWP 80100	80.00	100.00	10.00
SWP 85100	85.00	100.00	10.00
* SWP 85100/1	85.00	100.00	4.00
SWP 85105	85.00	105.00	10.00
SWP 90104	90.00	104.00	8.00
* SWP 90105	90.00	105.00	6.00
SWP 90110	90.00	110.00	10.00

Reference	Nominal dimensions		
	d	D	E
SWP 95115	95.00	115.00	10.00
SWP 100115	100.00	115.00	7.50
* SWP 100115/1	100.00	115.00	6.50
* SWP 100115/2	100.00	115.00	4.00
SWP 100120	100.00	120.00	10.00
SWP 105120	105.00	120.00	7.50
SWP 110125	110.00	125.00	9.00
SWP 110130	110.00	130.00	10.00
SWP 115130	115.00	130.00	7.50
SWP 120140	120.00	140.00	10.00
SWP 130145	130.00	145.00	7.50
SWP 160175	160.00	175.00	10.00
SWP 190210	190.00	210.00	10.00

* Can be used as "Dust Pin Seal"