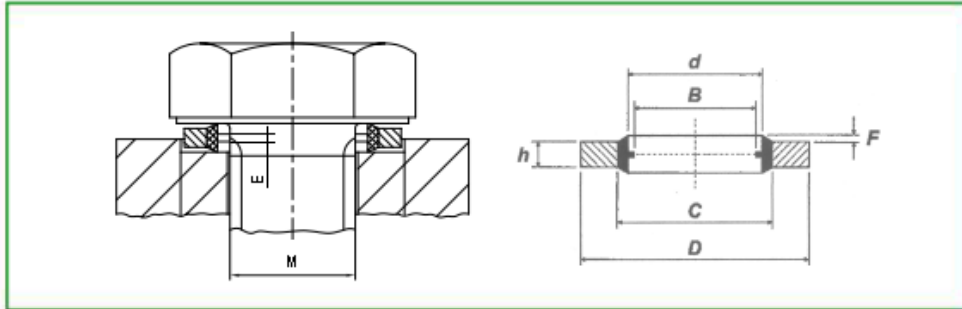


BONDED SEAL

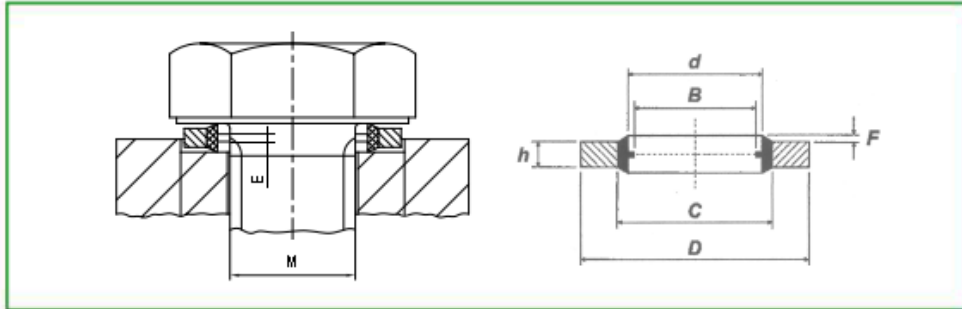
Dimension table -Bonded seal Type Self Centering (SCR)



M	B	d	C	D	h	F	E	Reference
1/8 BSP	8.26	10.37	11.84	15.88	2.00	0.20	0.35	SCR020
1/4 BSP	11.18	13.74	15.21	20.57				SCR021
3/8 BSP	14.96	17.28	18.75	23.80				SCR023
1/2 BSP	18.64	21.54	23.01	28.58	2.50	SCR025		
5/8 BSP	20.27	23.49	24.97	31.75		SCR026		
3/4 BSP	24.13	27.05	28.53	34.93		SCR027		
7/8 BSP	27.51	30.81	32.29	38.10		SCR029		
1 BSP	29.92	33.89	36.88	42.80	3.20	0.25		SCR030
1 1/4 BSP	38.45	42.93	45.93	52.38				SCR032
1 1/2 BSP	44.45	48.44	51.39	58.60				SCR033
1 3/4 BSP	50.42	54.89	58.30	69.85				SCR034
2 BSP	56.26	60.58	63.63	73.03				SCR036
2 1/4 BSP	62.36	66.68	69.98	79.50				SCR038
2 1/2 BSP	71.50	76.08	79.38	90.17				SCR039

BONDED SEAL

Dimension table -Bonded seal Type Self Centering (SCR)



M	B	d	C	D	h	F	E	Reference
M6	4.70	6.70	8.00	10.00	1.00	0.40	0.35	SCR206
M8	6.40	8.70	10.40	14.00		0.30		SCR213
M10	8.05	10.70	12.40	16.00	1.50	0.40		SCR217
M12	9.50	12.70	14.40	18.00		0.38		SCR222
M12	10.12	12.70	14.40	20.00	1.50	0.40	0.35	SCR223
M13	10.00	13.70	15.30	22.00				SCR225
M13.5	11.80	14.00	15.70	18.70				SCR226
M14	11.38	14.70	16.40	22.00				SCR227
M16	13.41	16.70	18.40	24.00				SCR229
M17	14.90	17.40	19.20	24.00				SCR230
M18	14.76	18.70	20.40	26.00				SCR232
M20	16.76	20.70	22.50	28.00				SCR233
M22	18.74	22.70	24.40	30.00				SCR236
M24	20.11	24.70	26.40	32.00				SCR238
M26	22.80	26.70	28.40	35.00	2.00	SCR239		