

TSE/NWO/KR

Description

Product group	Piston seal
Design	Asymmetrical u-ring with outer main sealing lip
Specification	Suitable for one-sided pressure load
Model	Back-up ring with integrated outer guide element and retaining ring
Seal material	NBR 80 3002
Seal back	NBR fabric NBR F 90 3005
Back-up and guide element	POM
Retaining ring	POM

Installation

The enclosed retaining ring serves as security for the seal on the side facing the pressure and allows for a deformation-free installation of the complete sealing system on the piston.

Remarks

The advantage of this piston seal lies in the limited space requirement and its high resistance to gap extrusion.

Operational application limits

Pressure (MPa): ≤ 40
Temperature ($^{\circ}\text{C}$): -30 to $+100$
Running speed (m/s): ≤ 0.5

Media

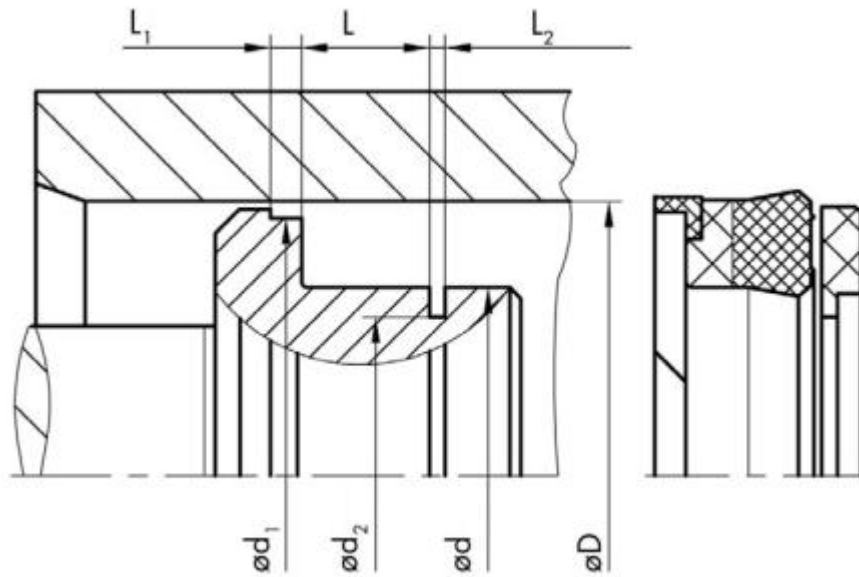
Hydraulic oils acc. to DIN 51524 Part 1 – 3, lubricating oils, mineral oil based lubricating greases, highly non-flammable hydraulic fluids HFA, HFB, HFC acc. to VDMA 24317

Function

U-ring has a compact design which guarantees good sealing in low pressure areas. This compact seal is a single-acting seal combined with a back-up ring and guide element on the side facing away from the pressure and a retaining ring for the axial limitation of the installation housing on the side facing the pressure.



TSE/NWO/KR



Housing dimensions								
Type	Reference	D	d	L	L₁	L₂	d₁	d₂
		H11	js11	+0,4 / +0,6	+0,1 / -0	+0,05 / +0	+0 / -0,05	+0 / -0,25
TSE/NWO/KR	275196	70,00	50,00	14,00	6,4	3,3	64,30	45,60
TSE/NWO/KR	314236	80,00	60,00	14,00	6,4	3,3	74,20	55,60
TSE/NWO/KR	354275	90,00	70,00	14,00	6,4	3,3	84,20	65,60
TSE/NWO/KR	374295	95,00	75,00	14,00	6,4	3,3	89,10	70,60
TSE/NWO/KR	393314	100,00	80,00	14,00	6,4	3,3	94,20	75,60
TSE/NWO/KR	411334	104,50	85,00	14,00	6,4	3,3	98,80	80,60
TSE/NWO/KR	413334	105,00	85,00	14,00	6,4	3,3	99,42	80,60
TSE/NWO/KR	433354	110,00	90,00	12,50	6,4	3,3	104,1	85,60
TSE/NWO/KR	452374	115,00	95,00	14,00	6,4	3,3	109,00	90,60
TSE/NWO/KR	472393	120,00	100,00	12,50	6,4	3,3	114,10	95,60
TSE/NWO/KR	492413	125,00	105,00	12,00	6,4	3,3	119,30	100,60