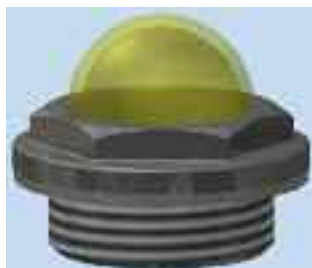
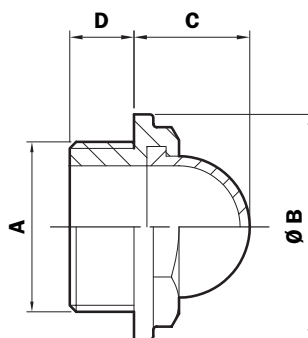
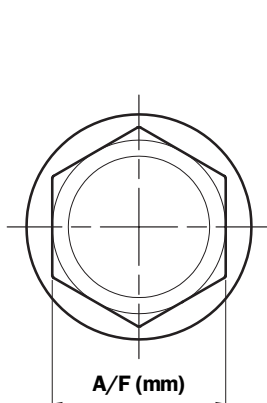


Series LCC***N

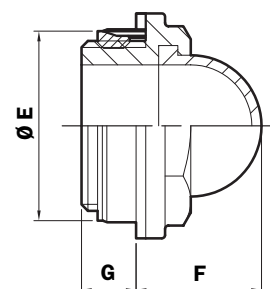
Dimensions



LCC***N***S



LCC***N***K



LCC***N***** (Materials)

- 1 - Body: Nylon
- 2 - Lens: Polyamide
- 3 - Contrast screen: Nylon
- 4 - Seals: NBR
Inorganic fibre
- 5 - Expansion kit: Brass - NBR

Quantity per pack Number of Parts

LCC/N 25

Size	A	Ø B	C	A/F (mm)	D	Ø E	F	G
G20	G 1/2"	28	15,5	22	9,5	25,5	16,5	8,3
G26	G 3/4"	35	18	27	10	29,5	19,5	8,5
G33	G 1"	42	22	34	12	39	23,5	10,5
G42	G 1 1/4"	52	28	44	13	49	29,5	11,5
G48	G 1 1/2"	58	31	50	13,5	54	32,5	12
G60	G 2"	74	37	64	20	-	-	-

N.B. Seals thickness 2 mm.
Recommended tightening torque 10 Nm.

Ø hole for Expansion kit

Size	Diamètre
G20	Ø 26
G26	Ø 30
G33	Ø 40
G42	Ø 50
G48	Ø 55

Spare parts

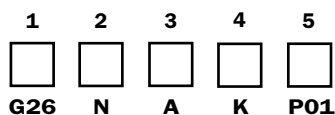
Size	Expansion Kit
G20	G20
G26	G26
G33	G33
G42	G42
G48	G48
-	-

Ordering information

Level indicator

LCC***N

Example: LCC



1 - Size

G20	G 1/2"
G26	G 3/4"
G33	G 1"
G42	G 1 1/4"
G48	G 1 1/2"
G60	G 2"

2 - Material

N Black nylon

3 - Seal

A NBR (K only)

B Inorganic fibre

4 - Expansion kit

S Without

K Expansion kit

5 - Options

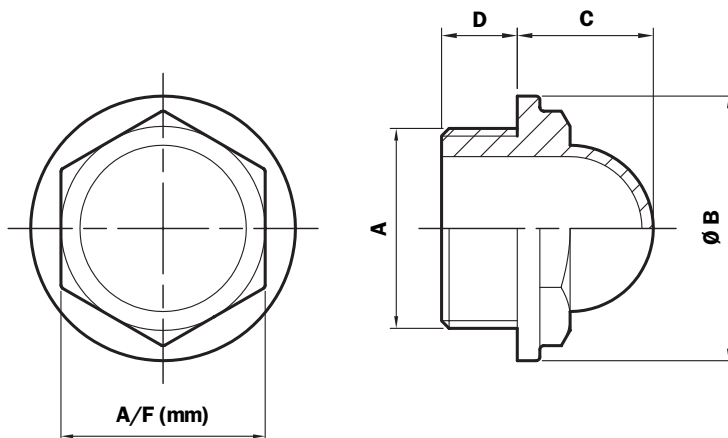
P01 MP Filtri standard

Series LCC***T

Dimensions



LCC***T**



LCC***T** (Materials)

- 1 - Body: Polyamide
- 2 - Seal: NBR

Quantity per pack
Number of Parts

LCC/T 25

Size	A	Ø B	C	A/F (mm)	D
G13	G 1/4"	19	10,5	15	7
G16	G 3/8"	21,7	12	17	7,5
G20	G 1/2"	27	14,5	21	8
G26	G 3/4"	32,8	17	26	9
G33	G 1"	39,8	20,5	32	10

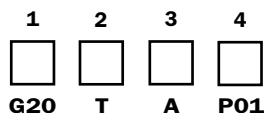
N.B. Seals thickness 2 mm.
Recommended tightening torque 10 Nm.

Ordering information

Level indicator

LCC***T

Example: LCC



1 - Size

G13	G 1/4"
G16	G 3/8"
G20	G 1/2"
G26	G 3/4"
G33	G 1"

3 - Seal

A NBR

4 - Options

P01 MP Filtri standard

2 - Material

T Polyamide

Series LCP***N

Dimensions

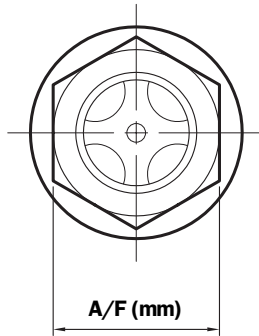


Standard view

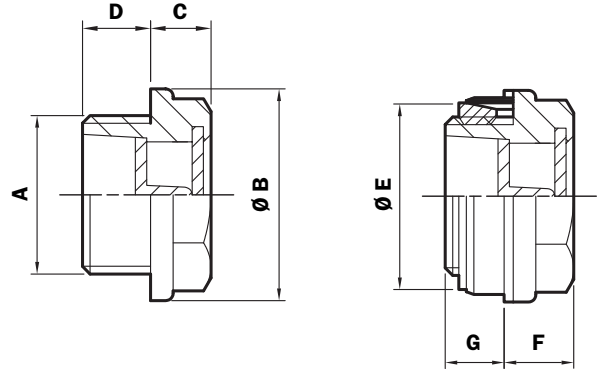


With view contrast and Expansion kit

LCP***N***S



LCP***N***K



Size	A	Ø B	C	A/F (mm)	D	Ø E	F	G
G13	G 1/4"	20	7	17	9	-	-	-
G16	G 3/8"	22	8	18	9	19,5	9,2	7,8
G20	G 1/2"	28	8	22	9	25,5	9,2	7,8
G26	G 3/4"	35	9	27	10	29,5	10,5	8,5
G33	G 1"	42	11,5	34	12,5	39	13	11
G42	G 1 1/4"	52	12	42	13	49	13,5	11,5
G48	G 1 1/2"	58	14	47	13	54	15,5	11,5
G60	G 2"	74	14	64	20	-	-	-

LCP***N***** (Materials)

- 1 - Body: Nylon
- 2 - Lens: Thermoplastic
- 3 - Contrast screen: Nylon
- 4 - Seals: NBR
Inorganic fibre
- 5 - Expansion kit: Brass - NBR

Quantity per pack Number of Parts

LCP/N 25

N.B. Recommended tightening torque 10 Nm.

Ø hole for Expansion kit

Size	Diameter
G16	Ø 20
G20	Ø 26
G26	Ø 30
G33	Ø 40
G42	Ø 50
G48	Ø 55

Spare parts

Size	Expansion Kit
-	-
G16	2026020
G20	2026021
G26	2026019
G33	2026023
G42	2026025
G48	2026026
-	-

Ordering information

Level indicator

LCP***N

Example: LCP

1	2	3	4	5	6
<input type="checkbox"/>	<input type="checkbox"/>	<input type="checkbox"/>	<input type="checkbox"/>	<input type="checkbox"/>	<input type="checkbox"/>
G20	N	C	A	K	P01

1 - Size

G13	G 1/4"
G16	G 3/8"
G20	G 1/2"
G26	G 3/4"
G33	G 1"
G42	G 1 1/4"
G48	G 1 1/2"
G60	G 2"

2 - Material

N Black nylon

3 - Accessories

S Standard view

C Baffle (for except G13)

4 - Seal

A NBR (only K)

B Inorganic fibre

5 - Expansion kit

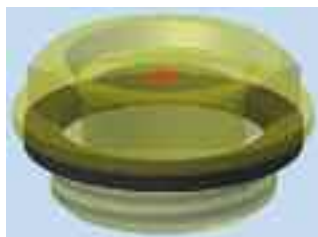
S Without
K Expansion kit
(for except G13 - G16)

6 - Options

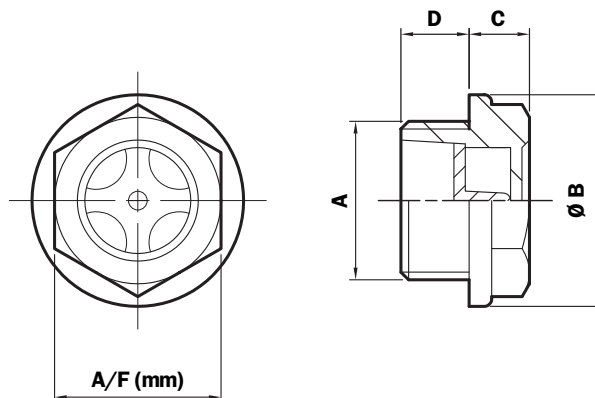
P01 MP Filtri standard

Series LCP***T

Dimensions



LCP***T**



LCP*T** (Materials)**

- 1 - Body: Polyamide
- 2 - Contrast screen: Nylon
- 3 - Seal: NBR

**Quantity per pack
Number of Parts**

LCP/T 25

Size	A	Ø B	C	A/F (mm)	D
G13	G 1/4"	19	4,5	15	7
G16	G 3/8"	21,7	5	17	7,5
G20	G 1/2"	27	5,5	21	8
G26	G 3/4"	32,8	6	26	9
G33	G 1"	39,8	6,5	32	10
G42	G 1 1/4"	52	12	42	13

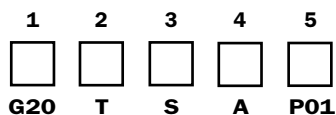
N.B. Seals thickness 2 mm.
Recommended tightening torque 10 Nm.

Ordering information

Level indicator

LCP***T

Example: LCP



1 - Size

- G13 G 1/4"
- G16 G 3/8"
- G20 G 1/2"
- G26 G 3/4"
- G33 G 1"
- G42 G 1 1/4"

2 - Material

- T Polyamide

3 - Accessories

- S Without baffle
- C Baffle (G26-G33-G42 only)

4 - Seal

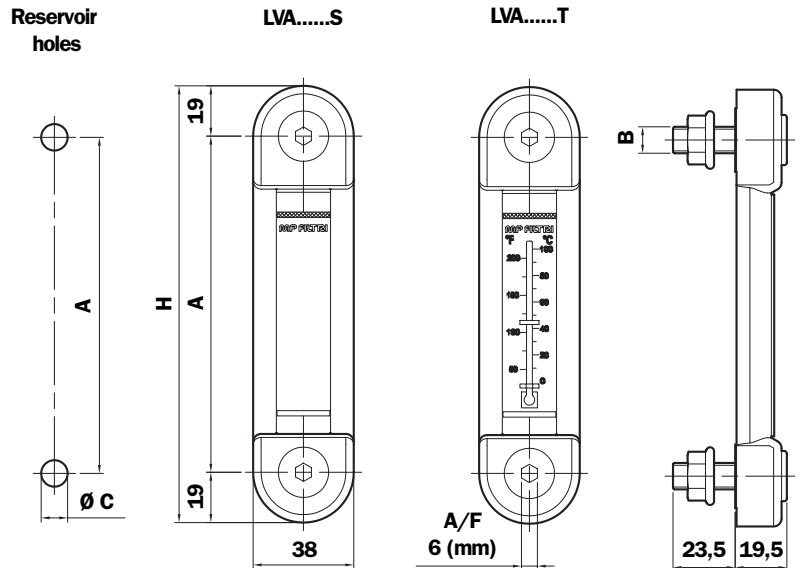
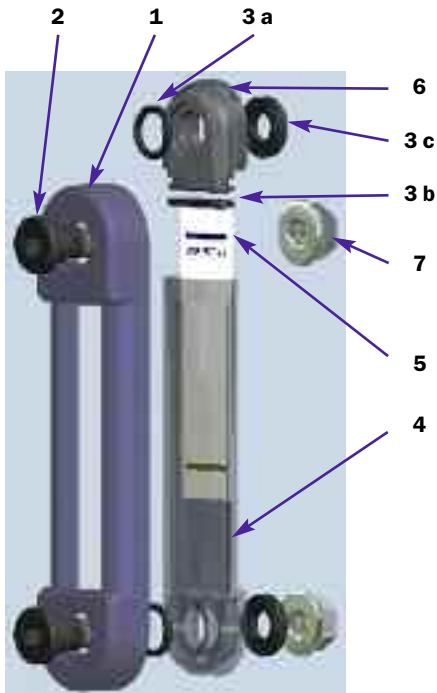
- A NBR

5 - Options

- P01 MP Filtri standard

Series LVA

Dimensions



LVA (Materials)

- 1 - Cover: Polyamide
- 2 - Screws: Galvanised Steel
- 3 - Seals: NBR
FPM
- 4 - Lens: Polyamide
- 5 - Nameplate: Painted Aluminium
- 6 - Terminal cap: Nylon
- 7 - Nuts: Galvanised Steel

Weight

- LVA10: 0,13 Kg
- LVA20: 0,18 Kg
- LVA30: 0,23 Kg

Quantity per pack Number of Parts

LVA	10
-----	----

Size	A	H
LVA10	76	114
LVA20	127	165
LVA30	254	292

Screw tightening torque: 15Nm

Type	B	C
LVA.....M10	M10	10,5
LVA.....M12	M12	12,5
LVA.....U38	3/8" UNC	10
LVA.....U12	1/2" UNC	13,5

Ordering information

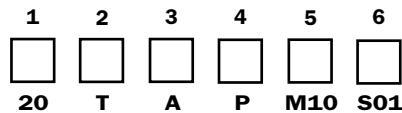
LVA20T.....S01



Level indicator

LVA

Example: LVA



1 - Size

- 10
- 20
- 30

2 - Accessories

- S Without thermometer
- T With thermometer

3 - Seal

- A NBR
- V FPM

4 - Cover

- P Cover Polyamide

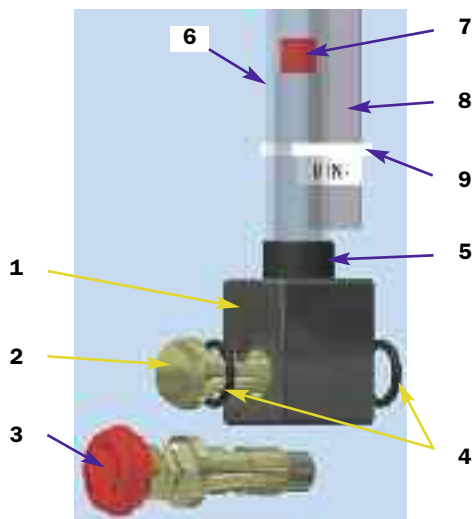
5 - Connection

- M10 Screws M10
- M12 Screws M12
- U38 Screws 3/8" UNC
- U12 Screws 1/2" UNC

6 - Options

- S01 With nuts - Tag MP Filtri
- S02 Without nuts - Tag MP Filtri

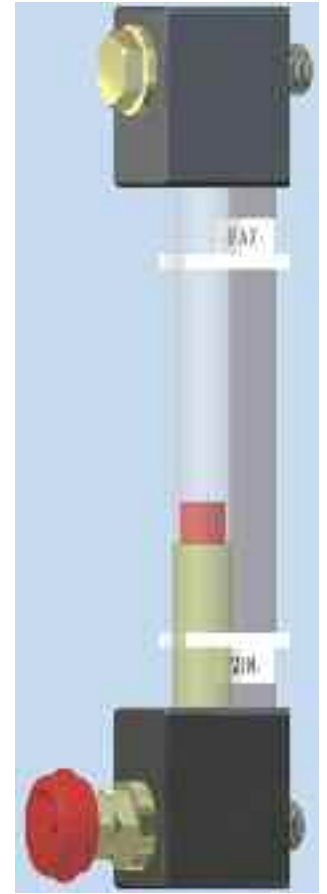
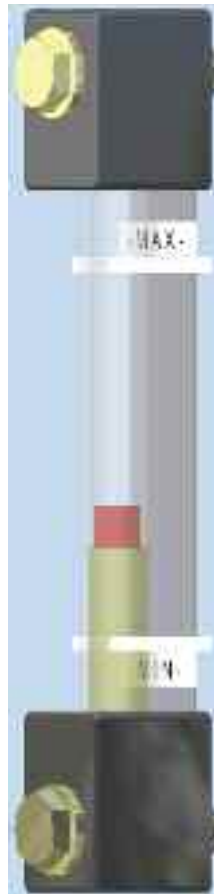
Series LVU



LVU (Materials)

- 1 - Head: Nylon
- 2 - Connection G 3/8": Nickel Plated Brass
- 3 - G 3/8" valve: Steel
- 4 - Seal: NBR
- 5 - Pipe Seal: NBR
- 6 - Pipe: Acrylic
Pyrex
- 7 - Float: Nylon
- 8 - Protection: Aluminium
- 9 - Clamps MIN - MAX: Nylon

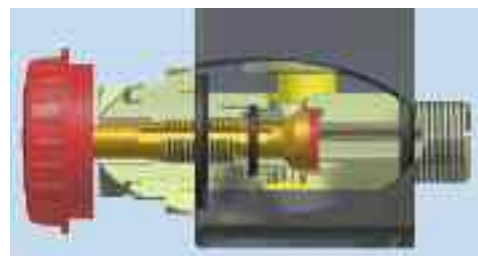
Weight	Vesion U	Vesion S
LVU 0500	0,780 kg	0,580 kg
LVU 1000	1,150 kg	0,790 kg
LVU 1500	1,550 kg	1,100 kg
LVU 2000	1,950 kg	1,400 kg



Open the valve completely.

Allows the oil to flow from the reservoir to the level tube.

ATTENTION - The intermediate valve opening or closing position allows the oil to flow from the reservoir to the exterior.

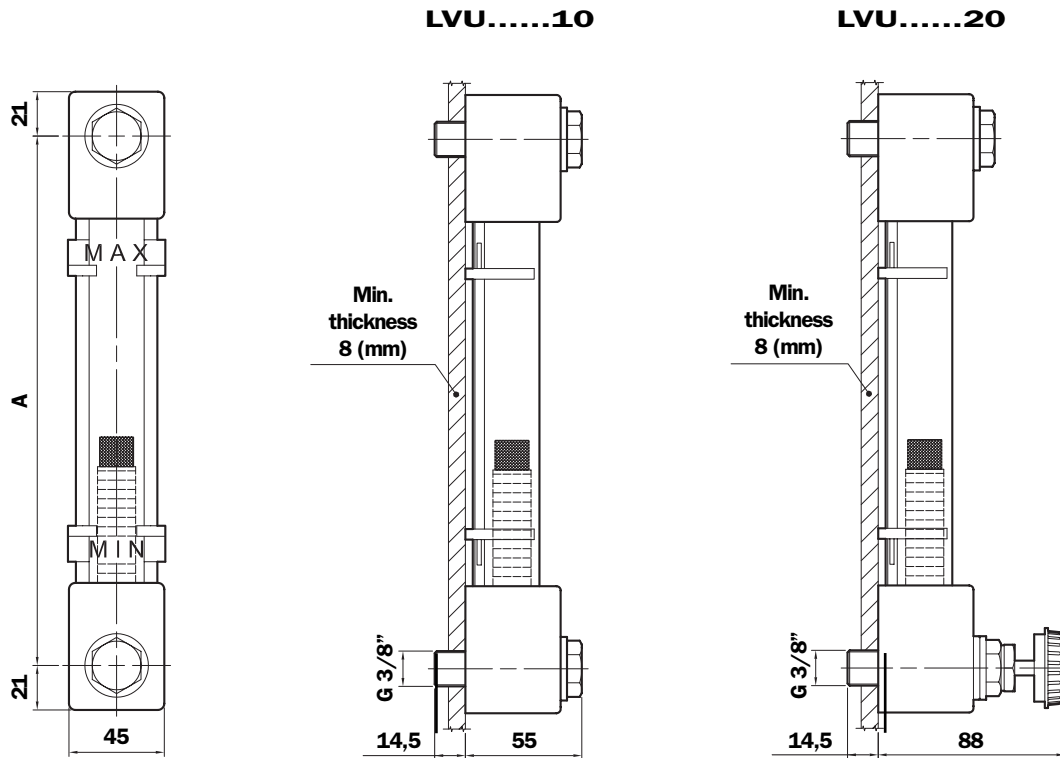


Close the valve fully.

Stops the oil flow from the reservoir to the level tube.

Allows the oil to be discharged from the level tube to an external container.

Dimensions



Spare parts LVU

Item.	Description	Q.ty	LVU
1	Seals kit	1	02050130
4	O-Ring	4	OR 4181 Ø 20,22 x 3,53
2	Fixing element kit series 10	1	02049014
2	G 3/8" connection	2	
3	Fixing element kit series 20	1	02049015
2	G 3/8" connection	1	
3	G 3/8" bibcock	1	

Size	A (mm)
0500	500
1000	1000
1500	1500
2000	2000

Ordering information

Level indicator
LVU
Example: LVU 1 2 3 4 5

0500 **U** **A** **10** **P01**

1 - Size

0500	Dimension "A" in mm
1000	Dimension "A" in mm
1500	Dimension "A" in mm
2000	Max. dimension "A" in mm
xxxx	Dimension "A" in mm (on request)

2 - Variants

S	Standard
U	"U" protection
P	"U" protection + Pyrex lens (max size 1500)

3 - Seal

A	NBR
----------	-----

4 - Connection

10	2 G 3/8" connections
20	1 G 3/8" connection + 1 valve

5 - Options

P01	MP Filtri standard
------------	--------------------