

# FMP 039

**Maximum pressure 110 bar**  
**Flow rates to 80 l/min**



## Technical data

### Filter housing (Materials)

- Head: Anodized aluminium
- Housing: Anodized aluminium
- Bypass valve: Steel

### Pressure

- Working pressure: 110 bar (11 MPa)
- Test pressure: 170 bar (17 MPa)
- Burst pressure: 330 bar (33 MPa)
- Pulse pressure fatigue test: 1.000.000 cycles with pressure from 0 to 110 bar (11 MPa)

### Temperature

- From -25 °C to +110 °C

### Bypass valve

- Opening pressure 6 bar  $\pm$ 10%
- Other opening pressures on request.

### $\Delta p$ Elements type

- Microfibre filter elements series N: 20 bar
- Wire mesh filter elements series N: 20 bar
- Fluid flow through the filter element from OUT to IN.

### Seals

- Standard NBR series A
- Optional FPM series V

### FMP 039 FILTERS ARE PROVIDED FOR VERTICAL MOUNTING

### Weights (kg)

Length	2	3	4
• FMP 039	0,60	0,70	0,80

### Volumes (dm<sup>3</sup>)

Length	2	3	4
• FMP 039	0,19	0,26	0,34

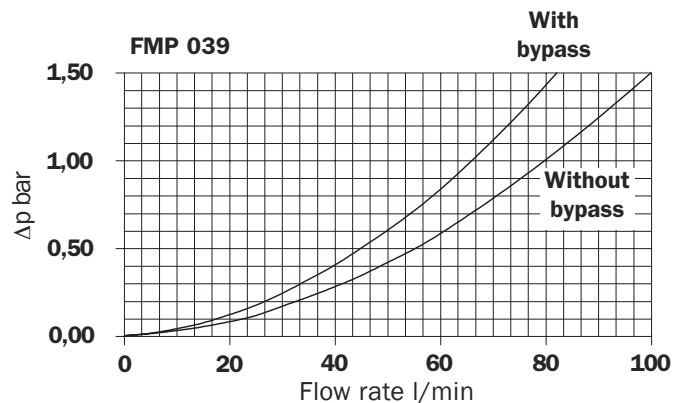
### Connections

- FMP 039: In-line Inlet/Outlet

### Filter housings $\Delta p$ pressure drop

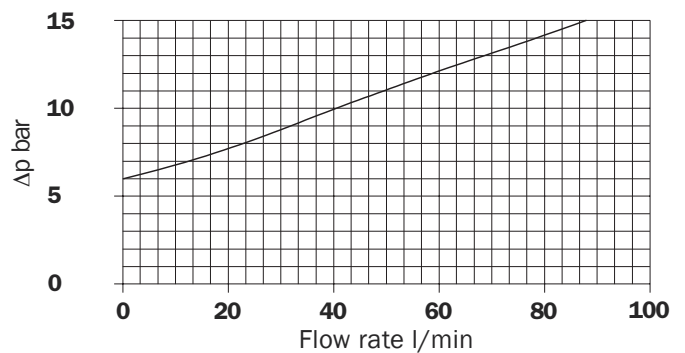
The curves are plotted utilising mineral oil with density of 0,86 kg/dm<sup>3</sup> to ISO 3968.

$\Delta p$  varies proportionally with density.



### Valves

#### Bypass valve pressure drop



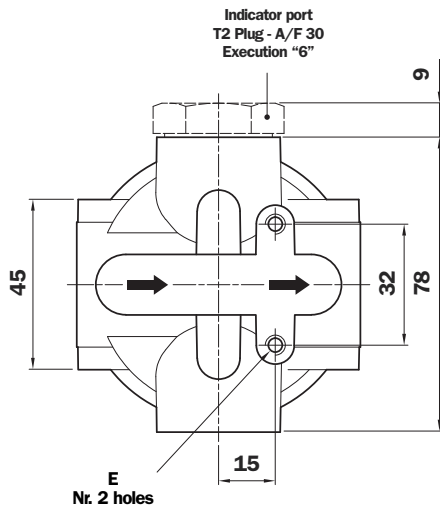
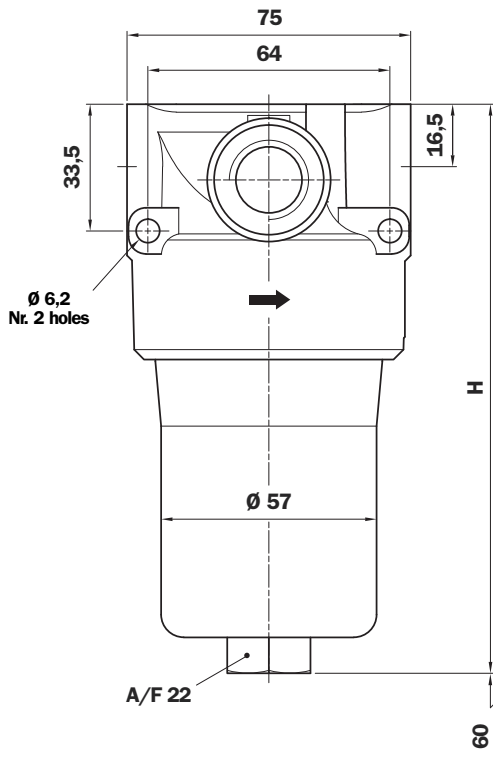
### Recommended maximum flow rate

- Pressure drop of filter assembly equal to  $\Delta p$  1,5 bar.
- Oil kinematic viscosity 30 mm<sup>2</sup>/s (cSt).
- Density 0,86 kg/dm<sup>3</sup>.
- Connections of filter under test G 1/2".

Length	Filtration					
	A03	A06	A10	A16	A25	M25
<b>FMP 039</b>	18	23	39	44	52	72
	30	33	48	54	64	77
	38	42	56	61	70	80

Series N - Flow rate l/min

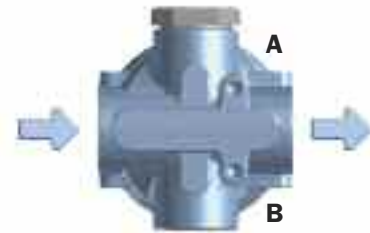
# FMP 039



## Execution 1: Without indicator connection



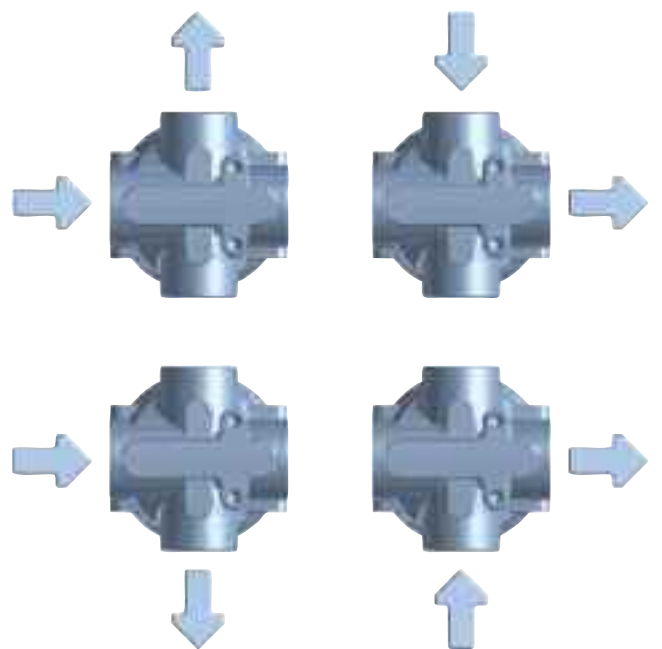
## Execution 6: Double indicator connection (A - B)



**A:**  
Closure cap with standard T2 steel.  
The position of the cap is reversible.

**B:**  
Standard closure cap with plastic  
thread protection.  
If necessary, the second plug T2,  
see page 133 ordering information.

## Special connections on request



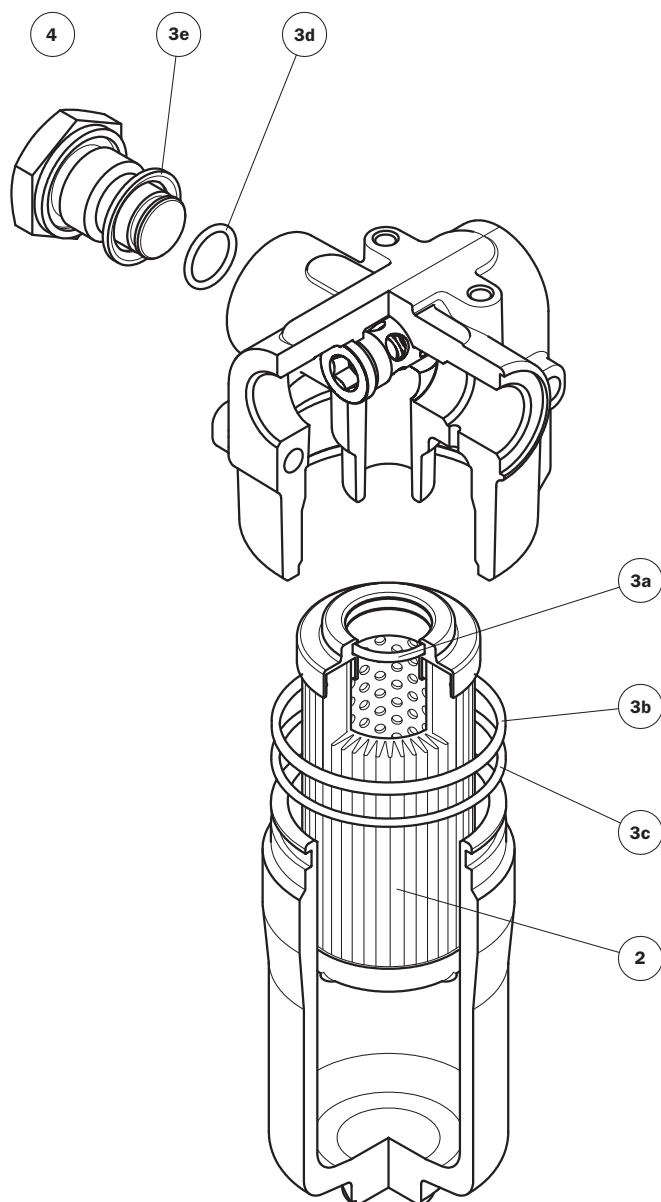
### FMP 039

Filter Length	H mm
2	151
3	194
4	238

### Thread connections

Type	Size	E Depth 6 mm
A	G 1/2"	M6
B	1/2" NPT	1/4" UNC
C	SAE 8 - 3/4" - 16 UNF	1/4" UNC

# Spare parts



Item	Description	Q.ty	FILTER Series FMP 039	
<b>1</b>	Filter assembly	1	See order table	
<b>2</b>	Filter element	1	See order table	
<b>3</b>	Seal Kit	1	NBR 02050509	FPM 02050510
<b>3a</b>	O-Ring for filter element	1	O-R 4087 Ø 21,82 x 3,53	
<b>3b</b>	O-Ring for housing	1	O-R 3200 Ø 50,47 x 2,62	
<b>3c</b>	Anti-extrusion ring	1	Parbak 136 Ø 51,26 x 2,18	
<b>3d</b>	O-Ring indicator	2	O-R 2050 Ø 12,42 x 1,78	
<b>3e</b>	Seal	2	01030058 (HNBR)	01030046 (FPM)
<b>4</b>	Indicator connection plug	1	T2H	T2V

# Ordering information FMP 039

## Filter assembly FMP

	<b>1</b>	<b>2</b>	<b>3</b>	<b>4</b>	<b>5</b>	<b>6</b>	<b>7</b>	<b>8</b>	<b>9</b>
	<input type="checkbox"/>	<input type="checkbox"/>	<input type="checkbox"/>	<input type="checkbox"/>	<input type="checkbox"/>	<input type="checkbox"/>	<input type="checkbox"/>	<input type="checkbox"/>	<input type="checkbox"/>
<b>Example: FMP</b>	<b>039</b>	<b>2</b>	<b>B</b>	<b>A</b>	<b>A</b>	<b>1</b>	<b>A10</b>	<b>N</b>	<b>P01</b>

## Filter element HP

	<b>1</b>	<b>2</b>	<b>7</b>	<b>4</b>	<b>8</b>	<b>9</b>
	<input type="checkbox"/>	<input type="checkbox"/>	<input type="checkbox"/>	<input type="checkbox"/>	<input type="checkbox"/>	<input type="checkbox"/>
<b>Example: HP</b>	<b>039</b>	<b>2</b>	<b>A10</b>	<b>A</b>	<b>N</b>	<b>P01</b>

### 1 - Style

<b>Filter</b>	<b>Filter element</b>
<input type="checkbox"/> <b>039</b>	<input type="checkbox"/> <b>039</b>

### 6 - Indicator port

<input type="checkbox"/> <b>1</b>	Without indicator port
<input type="checkbox"/> <b>6</b>	With 2 indicators port*

### 2 - Filter length

<input type="checkbox"/> <b>039</b>	<input type="checkbox"/> <b>2</b>	<input type="checkbox"/> <b>3</b>	<input type="checkbox"/> <b>4</b>
-------------------------------------	-----------------------------------	-----------------------------------	-----------------------------------

### 7 - Filter element

<input type="checkbox"/> <b>A03</b>	Inorganic microfibre 3 µm	} Absolute filtration Inorganic Microfibre βx (c) ≥ 1000
<input type="checkbox"/> <b>A06</b>	Inorganic microfibre 6 µm	
<input type="checkbox"/> <b>A10</b>	Inorganic microfibre 10 µm	
<input type="checkbox"/> <b>A16</b>	Inorganic microfibre 16 µm	
<input type="checkbox"/> <b>A25</b>	Inorganic microfibre 25 µm	
<input type="checkbox"/> <b>M25</b>	Wire mesh 25 µm	} Nominal Filtration

### 3 - Valves

<input type="checkbox"/> <b>S</b>	Without bypass
<input type="checkbox"/> <b>B</b>	With bypass

### 4 - Filter seals

<input type="checkbox"/> <b>A</b>	NBR
<input type="checkbox"/> <b>V</b>	FPM

### 8 - Max filter element differential pressure

<input type="checkbox"/> <b>N</b>	Δp 20 bar
-----------------------------------	-----------

### 5 - Connections

#### Threaded

#### FMP 039

Type	Size
<b>A</b>	G 1/2"
<b>B</b>	1/2" NPT
<b>C</b>	SAE 8 - 3/4" - 16 UNF

### 9 - Option

<input type="checkbox"/> <b>P01</b>	MP Filtri standard
<input type="checkbox"/> <b>Pxx</b>	On request

#### Indicator plug:

Phosphated Steel plug T2 has to be ordered separately.

#### Code

<input type="checkbox"/> <b>T2H</b>	Seal NBR
<input type="checkbox"/> <b>T2V</b>	Seal FPM

**For Clogging Indicator:**  
See page 324

**MP Filtri** - The filter functions as described in this bulletin are valid exclusively for original MP Filtri filter elements and replacement parts. All rights reserved.

The data in this publication are purely guideline. MP Filtri reserves the right to make changes to the models described herein at any time it deems fit in relation to technical or commercial requirements. The colours of the products shown on the cover are purely guideline. Copyright. All rights reserved.