

LMP MULTIPOINT 110 - 120 - 123

Maximum pressure 80 bar
Flow rates to 200 l/min



Technical data

Filter housing (Materials)

- Head: Aluminium
- Housing: Cathaphoresis-Painted Steel
- Bypass valve: Brass - Aluminium

Pressure

- Working pressure: 80 bar (8 MPa)
- Test pressure: 120 bar (12 MPa)
- LMP 110 - Burst pressure: 290 bar (29 MPa)
- LMP 120/123 - Burst pressure: 380 bar (38 MPa)
- Pulse pressure fatigue test: 1.000.000 cycles with pressure from 0 to 80 bar (8 MPa)

Temperature

- From -25 °C to +110 °C

Bypass valve

- Opening pressure 3,5 bar ±10%
- Other opening pressures on request.

Δp Elements type

- Microfibre filter elements series N - W: 20 bar
- Wire mesh filter elements series N: 20 bar
- Fluid flow through the filter element from OUT to IN.

Seals

- Standard NBR series A
- Optional FPM series V

LMP MULTIPOINT FILTERS ARE PROVIDED FOR VERTICAL MOUNTING

Weights (kg)

Length	1	2	3	4
• LMP110	1,60	1,80	2,10	2,60
• LMP120	1,90	2,10	2,40	2,90
• LMP123	1,70	1,90	2,20	2,70

Volumes (dm³)

Length	1	2	3	4
• LMP110	0,75	0,81	1,11	1,53
• LMP120	0,75	0,81	1,11	1,53
• LMP123	0,75	0,81	1,11	1,53

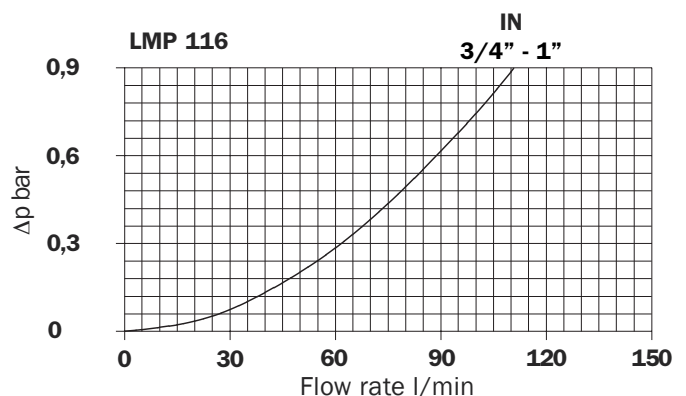
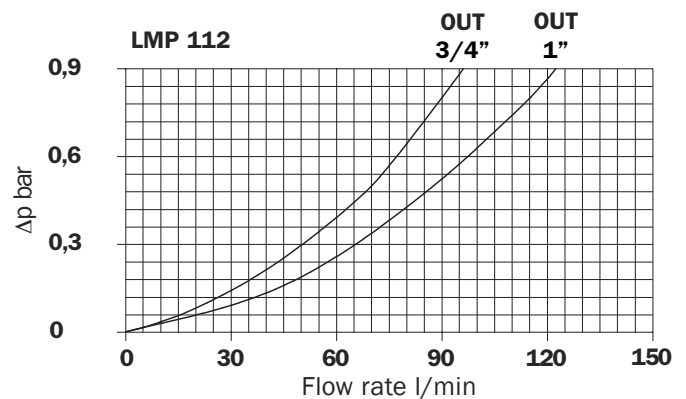
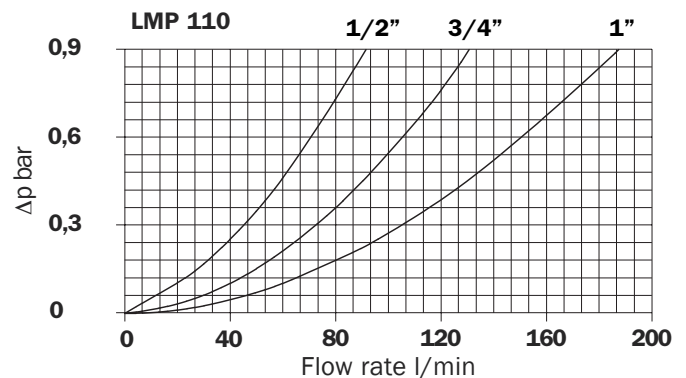
Connections

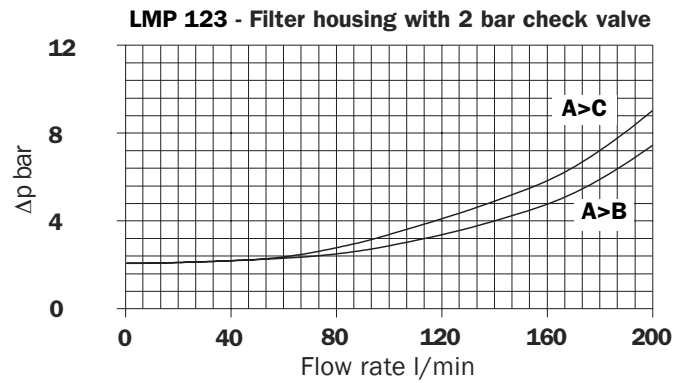
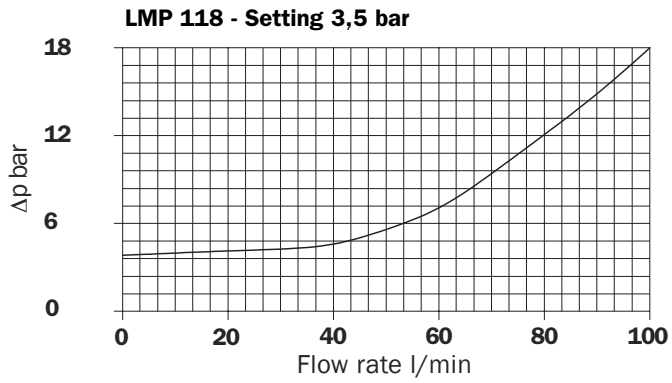
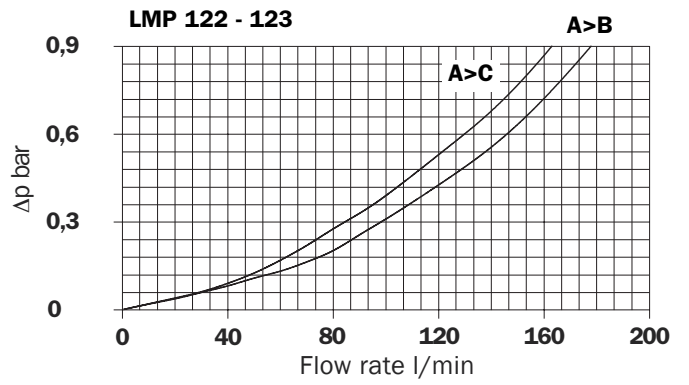
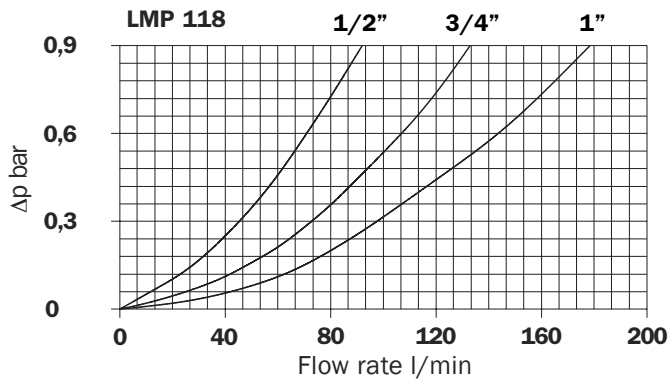
- LMP 110: Inlet/Outlet In-Line
- LMP 112: Inlet/Outlet In-Line + second inlet port 90°
- LMP 116: Inlet/Outlet In-Line + second outlet port 90°
- LMP 118: Inlet/Outlet In-Line + outlet bypass port 90°
- LMP 119: Inlet/Outlet In-Line + outlet safety valve 90°
- LMP 120: Same side
- LMP 123: Same side + 90°

Filter housings Δp pressure drop

The curves are plotted utilising mineral oil with density of 0,86 kg/dm³ to ISO 3968.

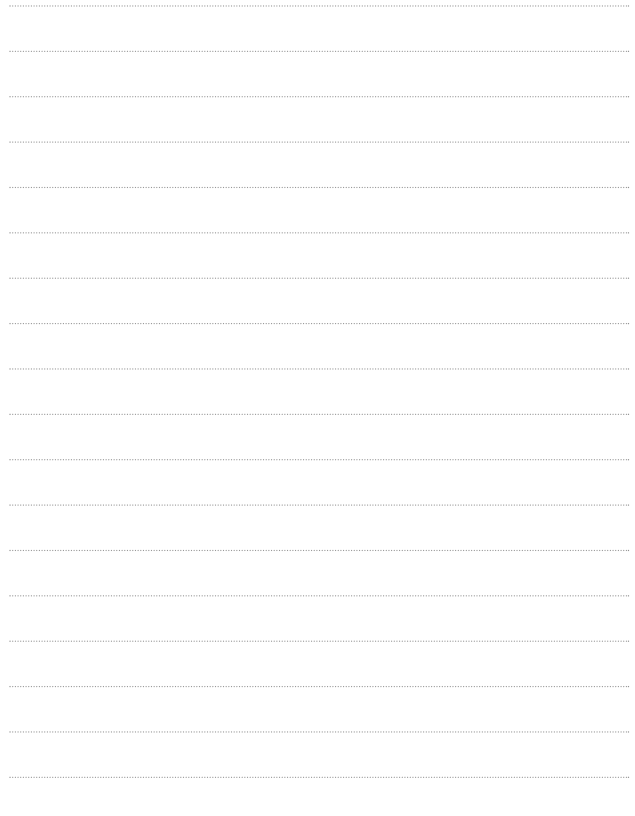
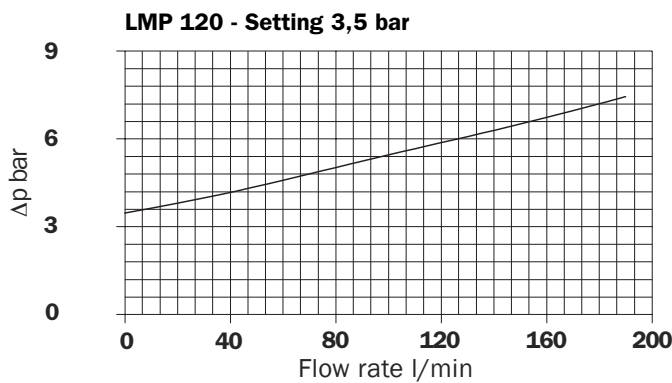
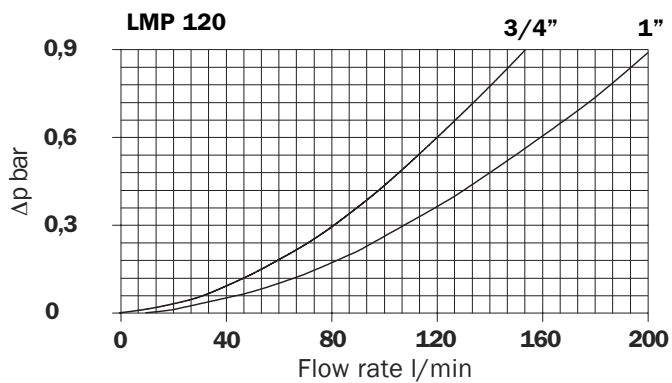
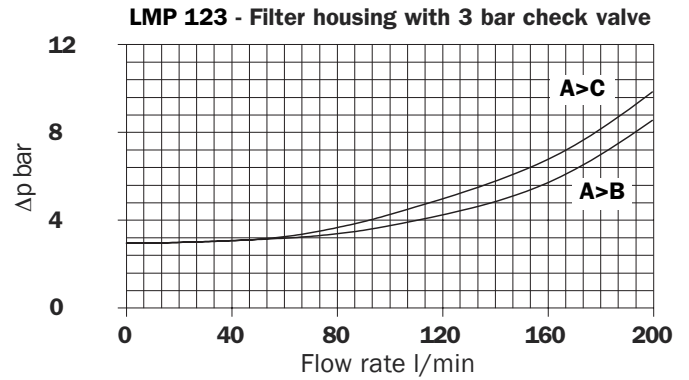
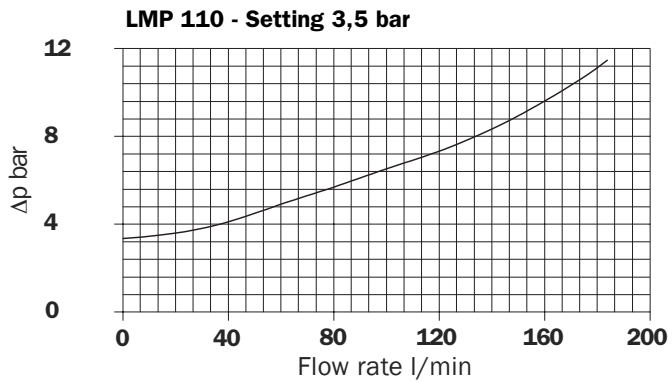
Δp varies proportionally with density.





Valves

Bypass valve pressure drop



LMP 110



LMP 112



LMP 112
(plug not included)



LMP 116
(plug not included)



LMP 118 - 119



LMP 120



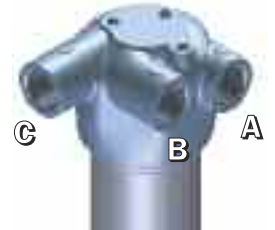
LMP 122



LMP 123
Type 1

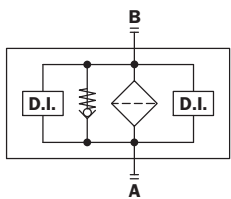


LMP 123
Type 2



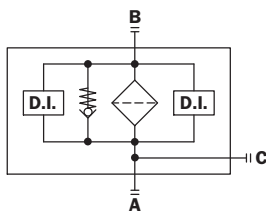
Hydraulic symbols "MULTIPOINT"

Style
LMP 110



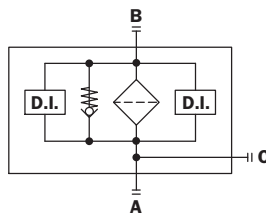
In-Line filter

Style
LMP 112



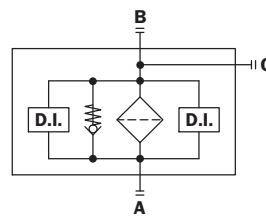
In-Line filter
Double IN port

Style
LMP 112



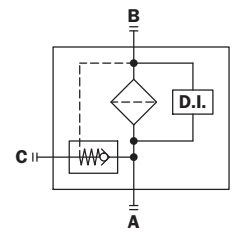
In-Line filter
Lateral IN port

Style
LMP 116



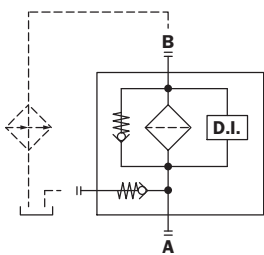
In-Line filter
Lateral OUT port

Style
LMP 118



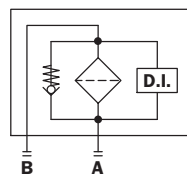
In-Line filter
Bypass lateral.
Always cleaning
fluid in OUT port.

Style
LMP 119



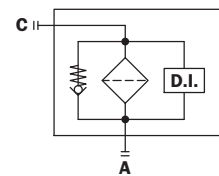
In-Line filter Safety valve 6 bar
for heat exchanger

Style
LMP 120



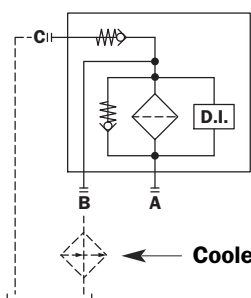
In-Line filter Port IN-OUT on the
same side

Style
LMP 122



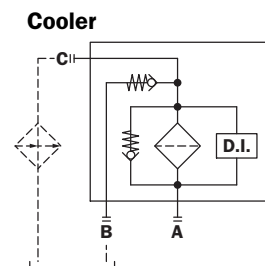
In-Line filter Lateral OUT port
high flow

Style
LMP 123
Type 1



In-Line filter
Bypass valve for heat
exchanger high flow

Style
LMP 123
Type 2



Recommended maximum flow rate

- Pressure drop of filter assembly equal to Δp 0,7 bar.
- Oil kinematic viscosity 30 mm²/s (cSt).
- Density 0,86 kg/dm³.

	Length	Filtration							
		A03	A06	A10	A16	A25	P10	P25	M25
LMP 110 - 119	1	40	42	63	68	83	114	153	111
	2	49	57	80	82	97	130	155	128
	3	45	69	88	98	118	135	158	133
	4	66	98	112	117	136	140	160	140

Flow rate l/min

	Length	Filtration							
		A03	A06	A10	A16	A25	P10	P25	M25
LMP 112	1	36	37	55	57	65	85	112	83
	2	43	49	65	67	75	94	114	93
	3	54	58	70	76	87	96	115	95
	4	66	76	87	88	96	98	115	98

Flow rate l/min

	Length	Filtration							
		A03	A06	A10	A16	A25	P10	P25	M25
LMP 116	1	36	37	53	56	64	80	95	77
	2	43	47	64	65	72	87	96	86
	3	55	56	67	73	83	89	97	88
	4	63	72	79	83	87	92	98	90

Flow rate l/min

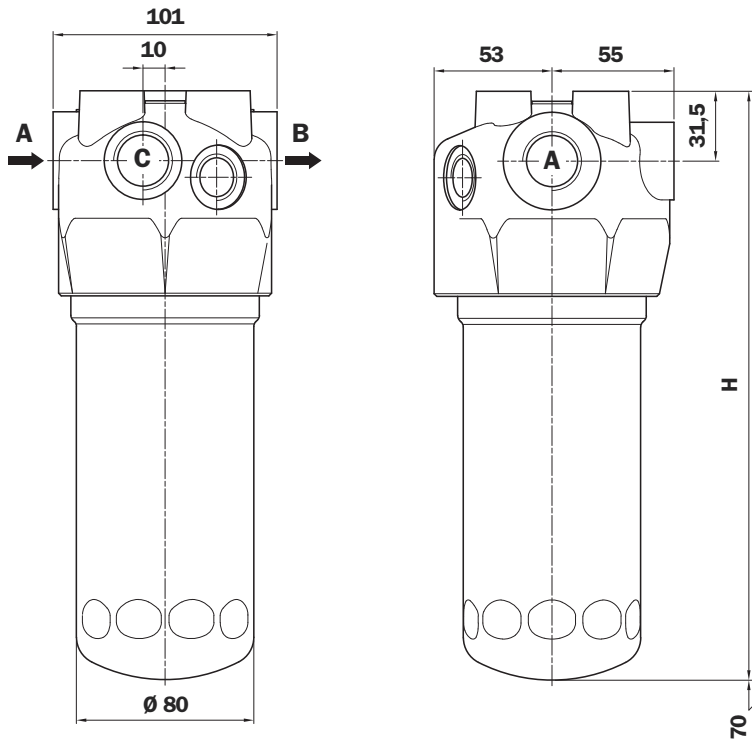
	Length	Filtration							
		A03	A06	A10	A16	A25	P10	P25	M25
LMP 120	1	39	42	66	69	87	129	187	126
	2	48	57	86	88	108	153	187	150
	3	67	72	97	110	136	161	188	158
	4	88	108	128	135	162	170	190	168

Flow rate l/min

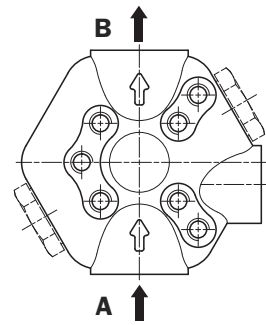
	Length	Filtration							
		A03	A06	A10	A16	A25	P10	P25	M25
LMP 120	1	42	44	70	74	92	137	205	132
	2	52	61	90	91	115	163	205	159
	3	72	77	100	113	141	173	208	169
	4	93	113	133	143	172	180	215	178

Flow rate l/min

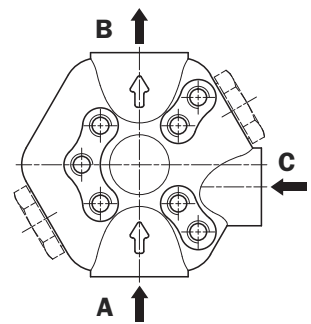
LMP 110 - 112 - 116 - 118 - 119



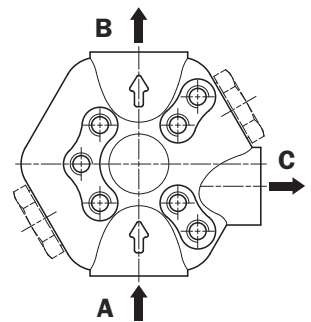
LMP 110



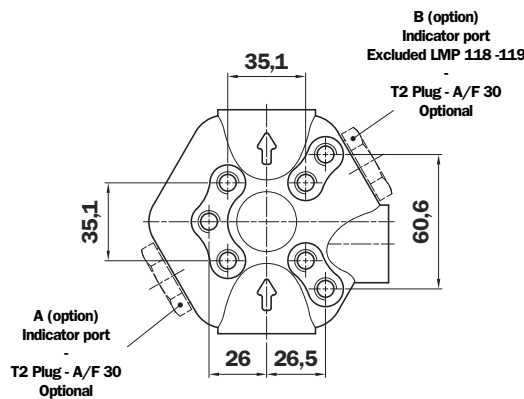
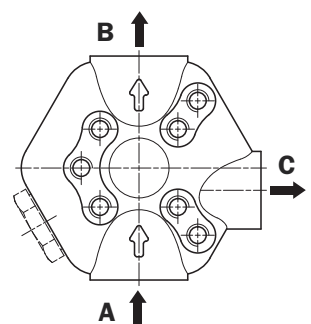
LMP 112



LMP 116



LMP 118 - 119



LMP 110 - 112 - 116 - 118 - 119

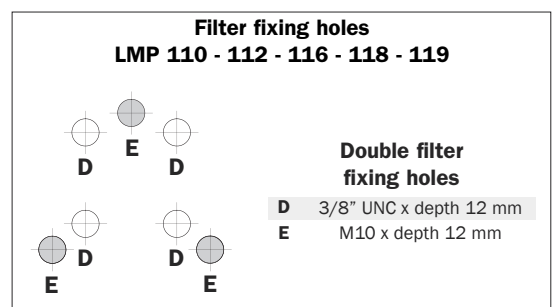
Filter Length	H mm
1	182
2	215
3	265
4	365

LMP 110
Thread connections

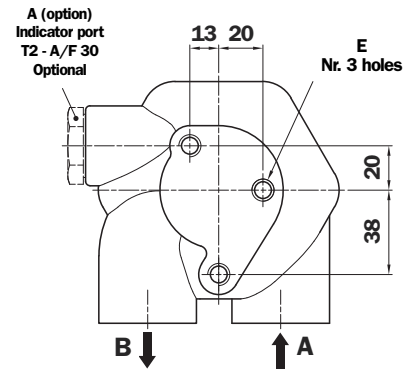
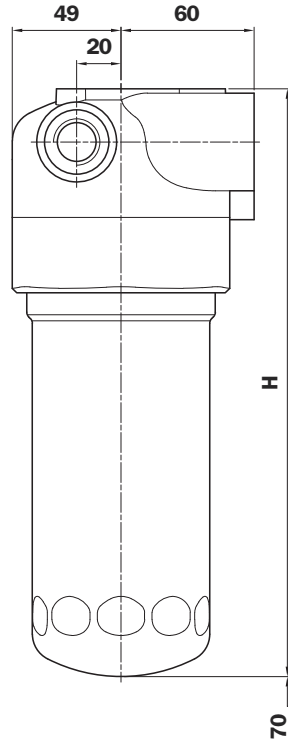
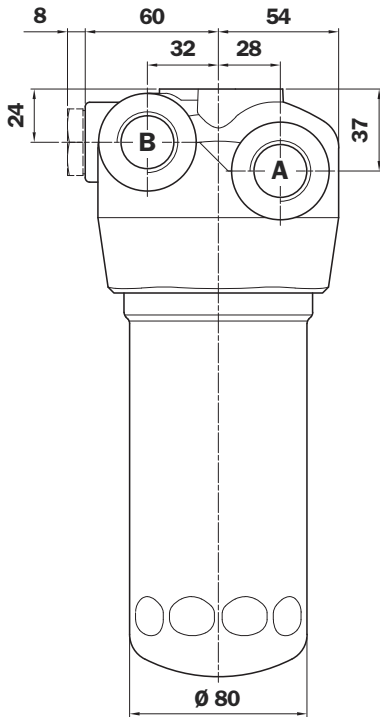
Type	Size
A	G 3/4"
B	G 1"
C	3/4" NPT
D	1" NPT
E	SAE 12 - 1 1/16" - 12 UN
F	SAE 16 - 1 5/16" - 12 UN

LMP 112 - 116 - 118 - 119
Thread connections

Type	Size	C Lateral connections
A	G 3/4"	G 3/4"
B	G 1"	G 3/4"
C	3/4" NPT	3/4" NPT
D	1" NPT	3/4" NPT
E	SAE 12 - 1 1/16" - 12 UN	SAE 12 - 1 1/16" - 12 UN
F	SAE 16 - 1 5/16" - 12 UN	SAE 12 - 1 1/16" - 12 UN



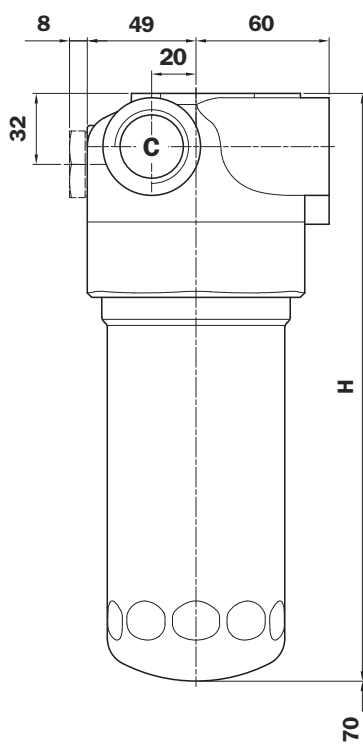
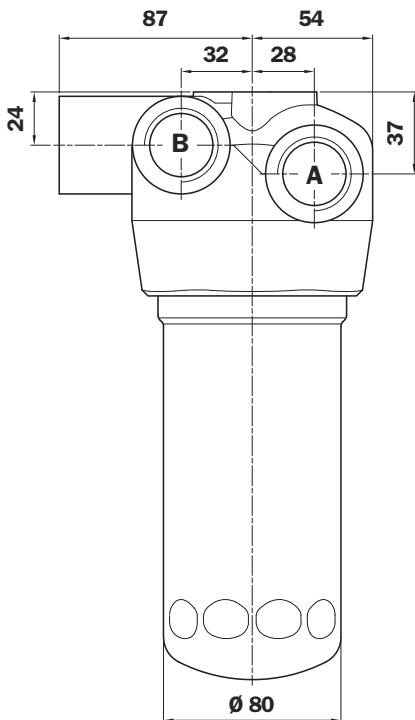
LMP 120



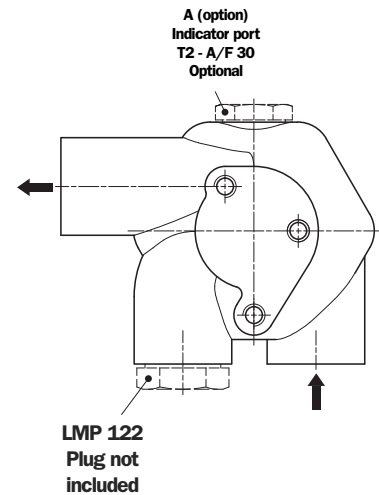
LMP 120 Thread connections

Type	Size	E Depth 12 mm
A	G 3/4"	M10
B	G 1"	M10
C	3/4" NPT	3/8" UNC
D	1" NPT	3/8" UNC
E	SAE 12 - 1 1/16" - 12 UN	3/8" UNC
F	SAE 16 - 1.5/16" - 12 UN	3/8" UNC

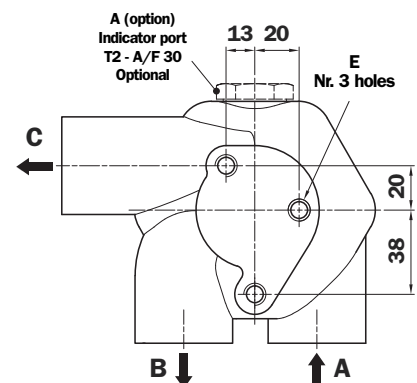
LMP 122 - 123



LMP 122



LMP 123



LMP 120 - 122 - 123

Filter Length	H mm
1	182
2	215
3	265
4	365

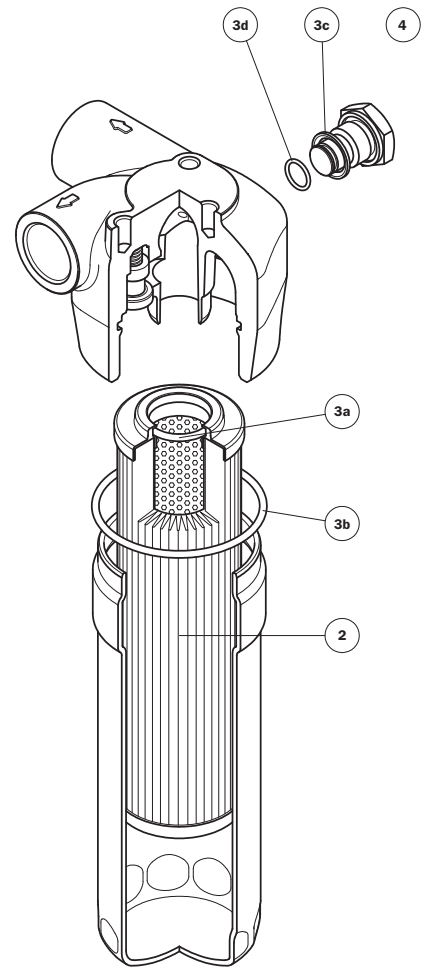
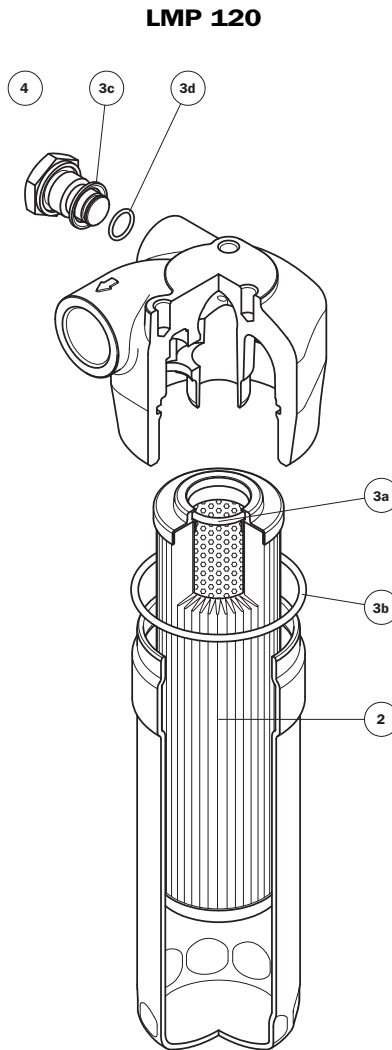
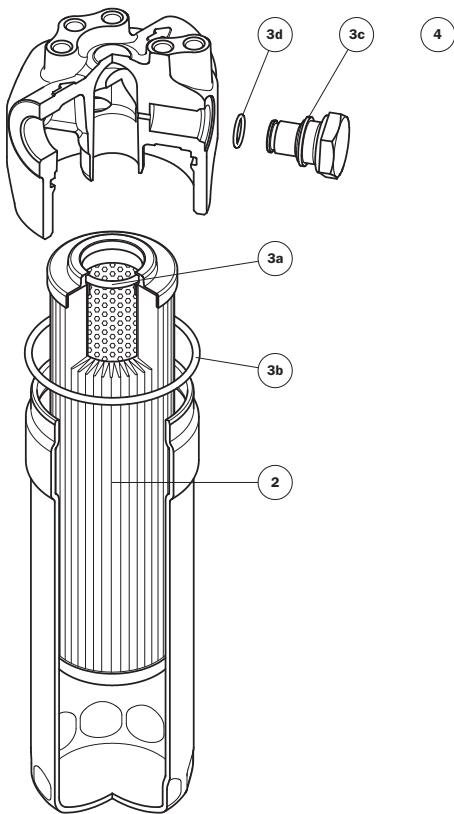
LMP 122 - 123 Thread connections

Type	Size	E Depth 12 mm
B	G 1"	M10
D	1" NPT	3/8" UNC
F	SAE 16 - 1.5/16" - 12 UN	3/8" UNC

Spare parts

LMP 110 - 112 - 116 - 118 - 119

LMP 122 - 123



Item	Description	Q.ty	FILTER Series LMP MULTIPORT	
1	Filter assembly	1	See order table	
2	Filter element	1	See order table	
3	Seal Kit	1	NBR 02050478	FPM 02050479
3a	O-Ring for filter element	1	O-R 4125 Ø 31,34 x 3,53	
3b	O-Ring for housing	1	O-R 4312 Ø 78,97 x 3,53	
3c	Seal for indicator	1	NBR 01030058	FPM 01030046
3d	O-Ring for indicator	1	O-R 2050 Ø 12,42 x 1,78	
4	Indicator connection plug	1	T2H	T2V

Ordering information LMP 110 - 120 - 123

Filter assembly

LMP

Example: LMP

	1	2	3	4	5	6	7	8	9
	<input type="checkbox"/>	<input type="checkbox"/>	<input type="checkbox"/>	<input type="checkbox"/>	<input type="checkbox"/>	<input type="checkbox"/>	<input type="checkbox"/>	<input type="checkbox"/>	<input type="checkbox"/>

110 2 B A B 3 A10 N P01

Filter element

CU

Example: CU

	1	2	7	4	8	9
	<input type="checkbox"/>	<input type="checkbox"/>	<input type="checkbox"/>	<input type="checkbox"/>	<input type="checkbox"/>	<input type="checkbox"/>

110 2 A10 A N P01

1 - Style

Filter

- 110
- 112
- 116
- 118
- 119
- 120
- 122
- 123

Filter element

- 110
- 110
- 110
- 110
- 110
- 110
- 110
- 110

2 - Filter length

- 110
- 112
- 116
- 118
- 119
- 120
- 122
- 123



3 - Valves

- S** Without bypass (excluded LMP 118 - 119)
- B** With bypass

LMP 123

Type 1 - Without bypass

- C** Check valve 2 bar
- D** Check valve 3 bar

Type 2 - Without bypass

- G** Check valve 2 bar
- H** Check valve 3 bar

Type 1 - With bypass

- M** Check valve 2 bar
- N** Check valve 3 bar

Type 2 - With bypass

- Q** Check valve 2 bar
- R** Check valve 3 bar

4 - Filter seals

- A** NBR
- V** FPM
- W** NBR (compatible with fluid HFA, HFB, HFC)

5 - Connections

Threaded

Type	Size
A	G 3/4"
B	G 1"
C	3/4"NPT
D	1" NPT
E	SAE 12 - 1.1/16" - 12 UN
F	SAE 16 - 1.5/16" - 12 UN

A - C - E:
Not available for LMP 122
A - C - D - E:
Not available for LMP 123

6 - Indicator port

- 1** Without
- 2** With style LMP 110 - pos. A
- 3** With style LMP 110 - pos. B (excluded LMP 118-119-120-122-123)
- 6** With style LMP 110 - pos. A + B (excluded LMP 118-119-120-122-123)

7 - Filter element

- A03** Inorganic microfibre 3 µm
 - A06** Inorganic microfibre 6 µm
 - A10** Inorganic microfibre 10 µm
 - A16** Inorganic microfibre 16 µm
 - A25** Inorganic microfibre 25 µm
 - M25** Wire mesh 25 µm
 - M60** Wire mesh 60 µm
 - M90** Wire mesh 90 µm
 - P10** Resin - Impregnated paper
 - P25** Resin - Impregnated paper
- Absolute filtration
 Inorganic
 Microfibre
 βx (c) ≥ 1000
 Nominal
 Filtration
 Nominal
 Filtration

8 - Max filter element differential pressure

- N** Δp 20 bar

9 - Option

- P01** MP Filtri standard
- Pxx** On request

For Clogging Indicator:
See page 324

MP Filtri - The filter functions as described in this bulletin are valid exclusively for original MP Filtri filter elements and replacement parts. All rights reserved.

The data in this publication are purely guideline. MP Filtri reserves the right to make changes to the models described herein at any time it deems fit in relation to technical or commercial requirements. The colours of the products shown on the cover are purely guideline. Copyright. All rights reserved.