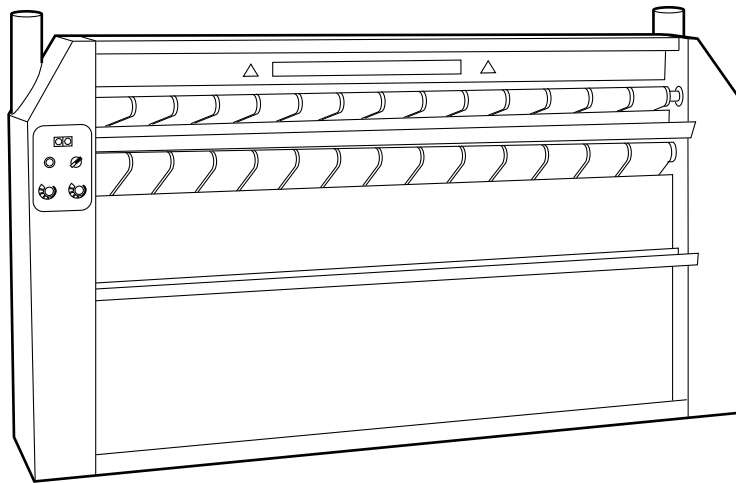


Roll Heated Flatwork Finisher

20 Inch (500 mm) Roll Heated Models

Refer to Page 3 for Model Numbers



FWF1N_1300577

Table of Contents

Title	Page
Parts Ordering Information.....	2
Serial Plate Location	2
Model Identification	3
Microprocessor Control - Electric Heat Models.....	4
Microprocessor Control - Gas and Steam Heat Models.....	6
Electromechanical Control - Electric Heat Models.....	8
Electromechanical Control - Gas and Steam Heat Models.....	10
Electromechanical Control Pushbuttons, Switches and Thermostat.....	12
Rolls, Loading Tray and Delivery Tray.....	14
Rolls, Guide and Scrapers	16
Feed Table, Finger Guard and Panels.....	18
Rails and Controls.....	20
Tension Bearing and Side Roller	22
Sprockets and Chain Tensioner.....	24
Heating Element and Fan Motor - Electric Heat Models.....	26
Electric Heated Roll - Electric Heat Models	28
Burner and Exhaust - Gas Heat Models	30
Heated Roll - Steam Heat Models	32
Labels	34
Parts Index.....	37

© Copyright 2012, Alliance Laundry Systems LLC

All rights reserved. No part of the contents of this book may be reproduced or transmitted in any form or by any means without the expressed written consent of the publisher.

Parts Ordering Information

If literature or replacement parts are required, contact the source from whom the machine was purchased or contact Alliance Laundry Systems at (920) 748-3950 for the name and address of the nearest authorized parts distributor.

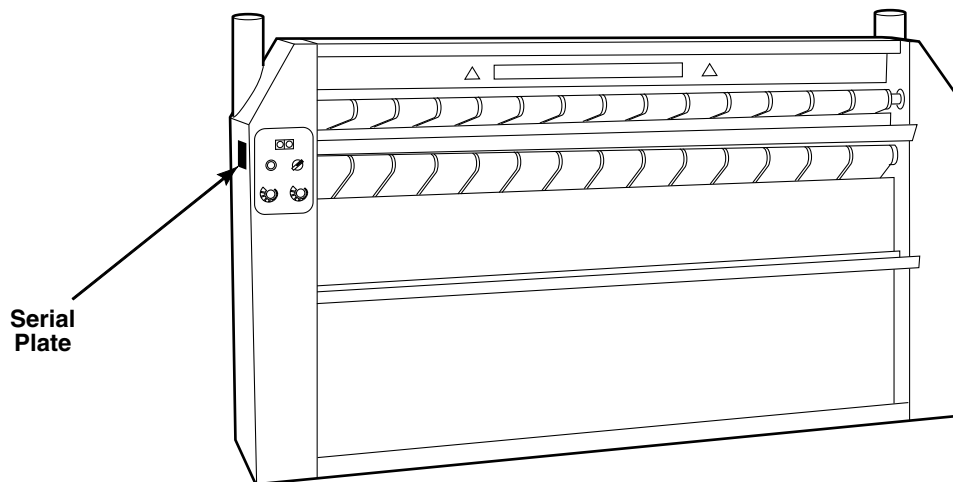
For technical assistance, call either of the numbers listed below:

(920) 748-3121 Ripon, Wisconsin

+32 56 41 20 54 Wevelgem, Belgium

Serial Plate Location

When calling or writing about your product, be sure to mention model and serial numbers. Model and serial numbers are located on serial plate(s) as shown.



FWF2N_1300577

Model Identification

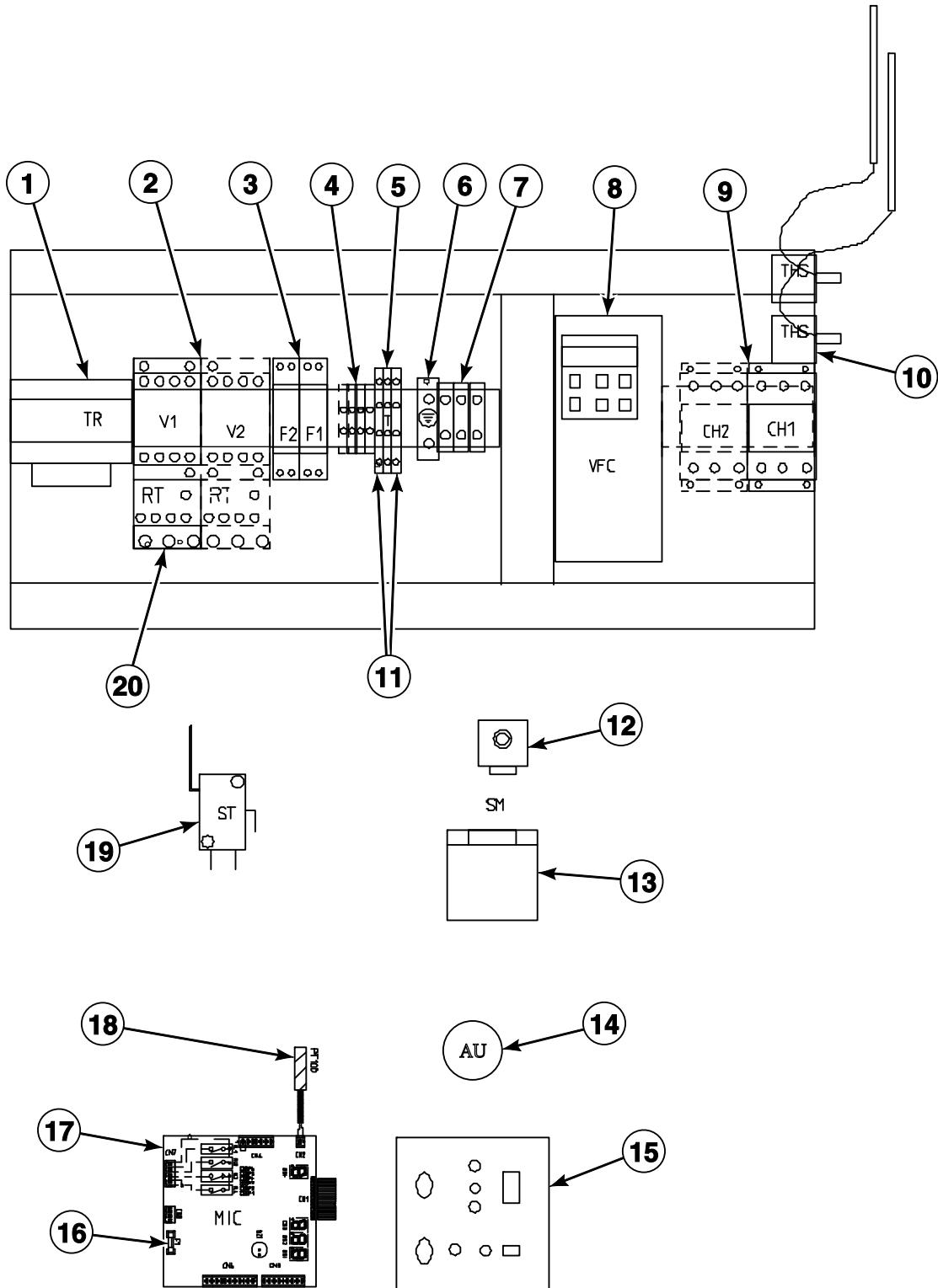
Information in this manual is applicable to these roll heated flatwork finisher models:

UD20F075

UD20F098

UD20F126

Microprocessor Control - Electric Heat Models



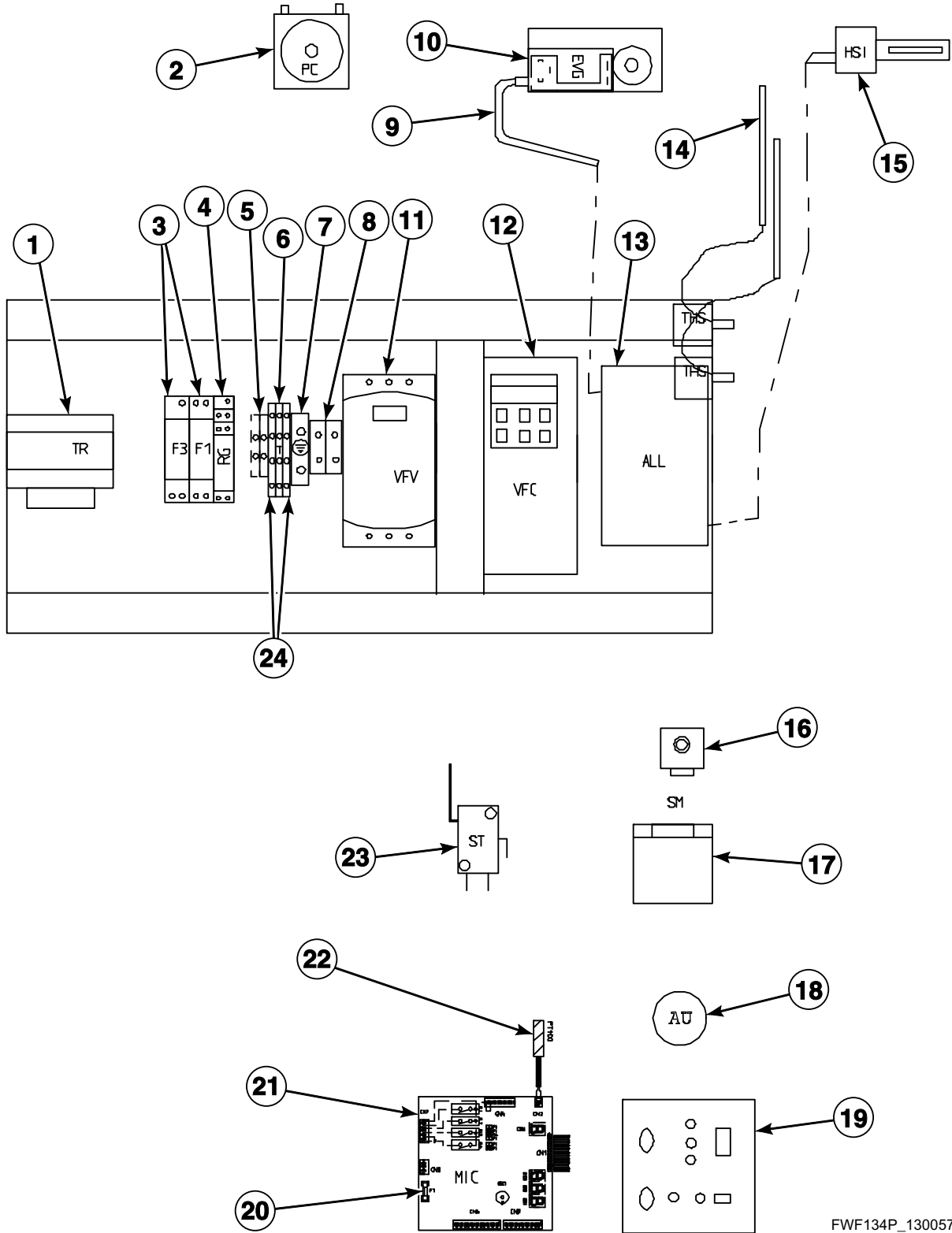
FWF133P_1300577

Microprocessor Control - Electric Heat Models

REF	PART NO.	DESCRIPTION	COMMENTS
1	1300534P	Transformer	
2	1300014	Contactora	
3	1300529	Fuse Holder	
	1300531	Fuse	
4	1300021	Terminal Block	
5	1300555	Ground Terminal Block	
6	1300517	Ground Terminal Block	
7	1300556	Terminal Block	
8	1300558	Inverter Drive	
9	1300013	Heat Contactor	Models UD20F075 and UD20F098
	1300012	Heat Contactor	Models UD20F075 and UD20F126
10	1300079P	Thermostat	
11	1300557	Terminal Block	
12	1300044	Position Switch Head	
13	1300043	Position Switch Body	
14	44018701P	Emergency Stop Kit	Includes 44018701 Contact Block, 1300559 Emergency Switch and 44018801 Pushbutton
	44018701	Contact Block	
	1300559	Emergency Switch	
	44018801	Pushbutton	
15	1300526P	Control Panel	
16	1300547	Fuse	630 mA
17	1300527P	Printed Circuit Board	
18	1300565P	Temperature Sensor	Models starting 1/1/06
	N/A	Temperature Probe	Models through 12/31/05
19	1300521	Safety Microswitch	
20	1300010	Thermal Relay	

N/A = Part no longer available

Microprocessor Control - Gas and Steam Heat Models



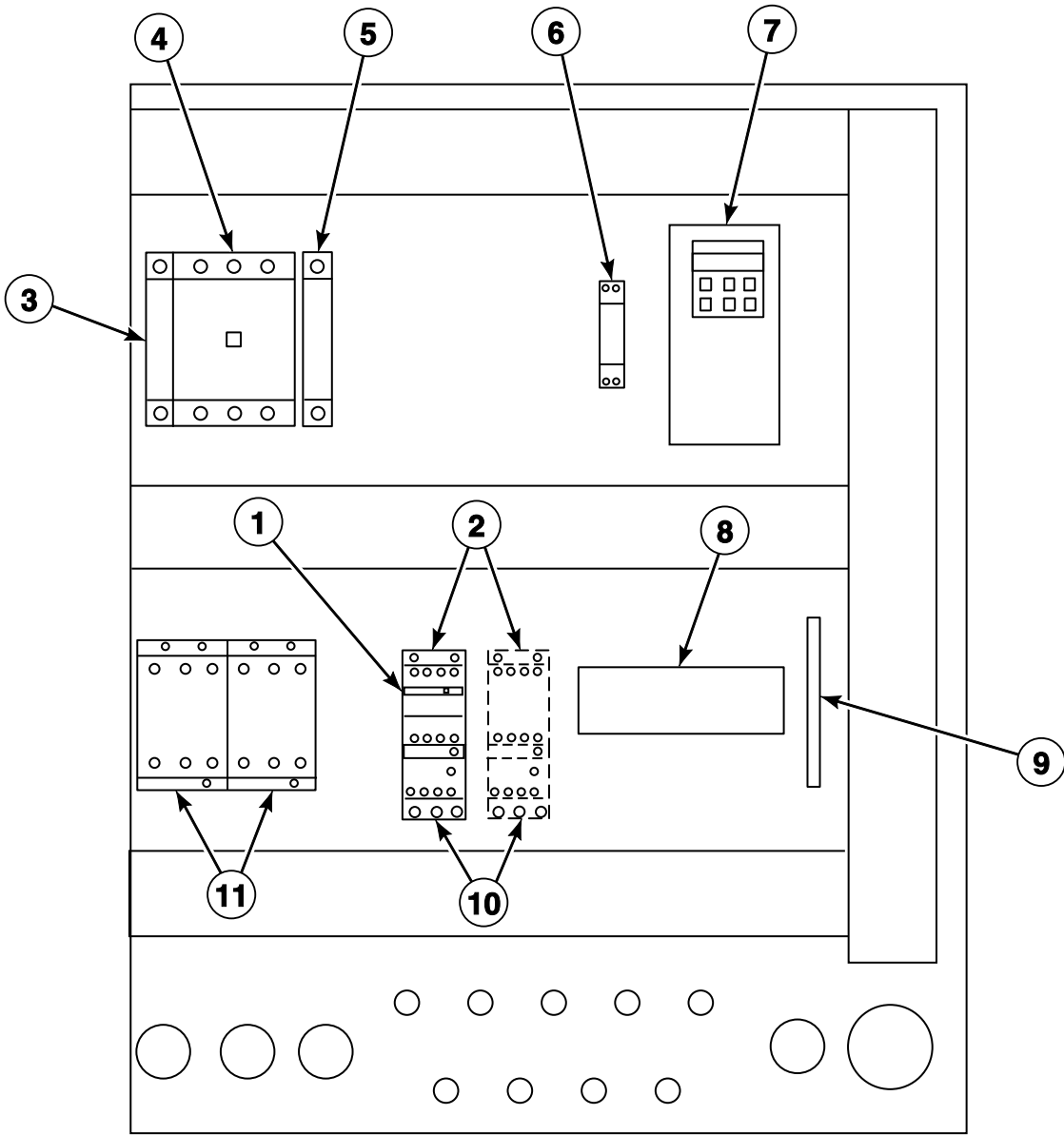
FWF134P_1300577

Microprocessor Control - Gas and Steam Heat Models

REF	PART NO.	DESCRIPTION	COMMENTS
1	1300522	Transformer	
2	1300033MP	Pressure Switch	
3	1300529	Fuse Holder	
	1300532	Fuse	F3, 2 Amp; Gas heat models
	1300533	Fuse	F1, 10 Amp; Gas heat models
	1300531	Fuse	F1; Steam heat models
4	1300525P	Gas Heat Contactor	
5	1300021	Terminal Block	
6	1300555	Ground Terminal Block	
7	1300517	Ground Terminal Block	
8	1300556	Terminal Block	
9	1300007	Gas Valve Harness	
10	1300627	Gas Valve	230 Volt (CE finishers)
	1300080	Gas Valve	120 Volt (U.S. finishers)
11	1300054-1	Fan Inverter	
12	1300561	Inverter Drive	
13	1300008	Ignition Control	
14	1300079P	Thermostat	
15	1300006P	Igniter	
16	1300044	Position Switch Head	For handle switch
17	1300043	Position Switch Body	For handle switch
18	44018701P	Emergency Stop Kit	Includes 44018701 Contact Block, 1300559 Emergency Switch and 44018801 Pushbutton
	44018701	Contact Block	
	1300559	Emergency Switch	
	44018801	Pushbutton	
19	1300526P	Control Panel	
20	1300547	Fuse	630 mA
21	1300527P	Printed Circuit Board	
22	1300565P	Temperature Sensor	Models starting 1/1/06
	N/A	Temperature Probe	Models through 12/31/05
23	1300521	Safety Microswitch	
24	1300557	Terminal Block	

N/A = Part no longer available

Electromechanical Control - Electric Heat Models



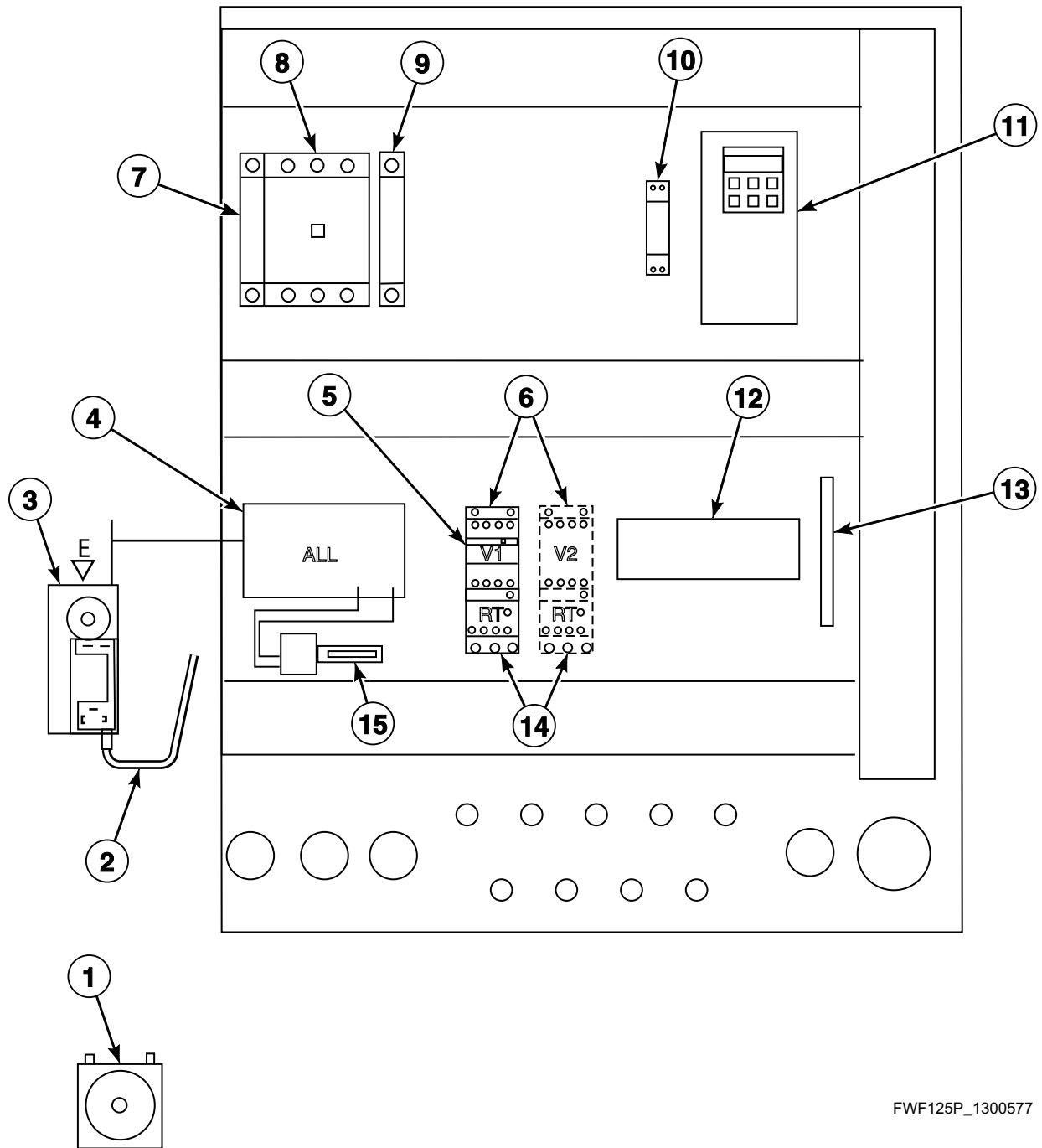
FWF124P_1300577

Electromechanical Control - Electric Heat Models

REF	PART NO.	DESCRIPTION	COMMENTS
1	1300011	Auxiliary Contactor	Model UD20F098
2	1300009	Fan Contactor	Model UD20F126
3	1300054	Auxiliary Main Switch	Models UD20F075 and UD20F098
	1300057	Auxiliary Main Switch	Model UD20F126
4	1300053	Main Switch Handle	Models UD20F075 and UD20F098
	N/A	Main Switch	Models UD20F075 and UD20F098
	1300060	Door Lock	
	1300059	Main Switch Extension	
	1300056	Main Switch Handle	Model UD20F126
	1300055	Main Switch	Model UD20F126
5	1300029	Ground Terminal	
6	1300028	Fuse Holder	
7	1300038	Inverter Drive	
8	1300022	Terminal Block	
9	1300029	Ground Terminal	
10	1300010	Thermal Relay	
11	1300012	Heat Contactor	
	1300013	Heat Contactor	

N/A = Part no longer available

Electromechanical Control - Gas and Steam Heat Models

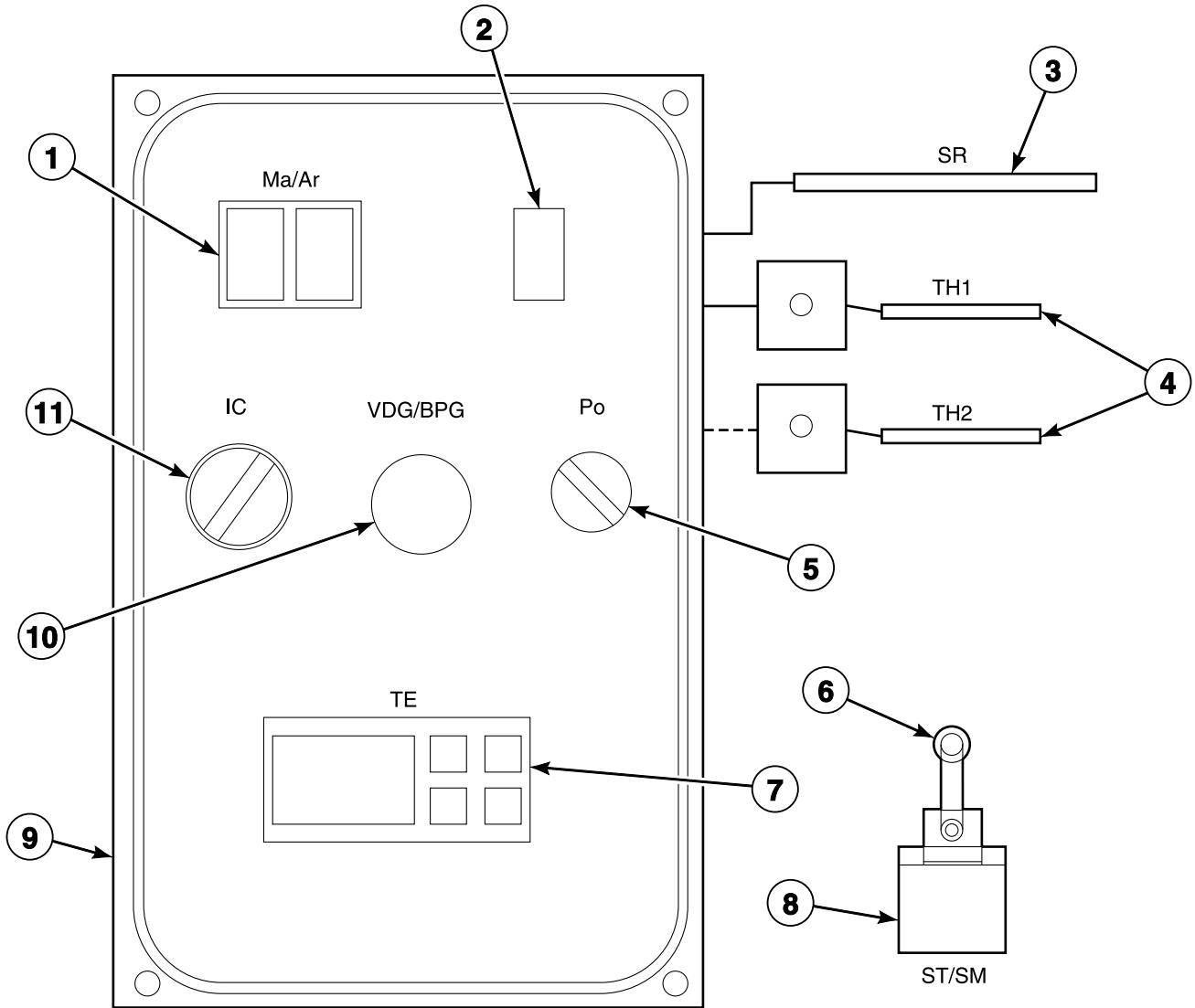


FWF125P_1300577

Electromechanical Control - Gas and Steam Heat Models

REF	PART NO.	DESCRIPTION	COMMENTS
	1300885	Harness	CN7
1	1300033MP	Pressure Switch	
2	1300007	Gas Valve Harness	
3	1300518	Gas Valve	24 Volt
	1300627	Gas Valve	230 Volt
4	1300520P	Ignition Control	
5	1300011	Auxiliary Contactor	
6	1300009	Fan Contactor	
7	1300057	Auxiliary Main Switch	
8	1300056	Main Switch Handle	
	1300060	Door Lock	
	1300059	Main Switch Extension	
	1300048P	Main Switch	
9	1300029	Ground Terminal	
10	1300028	Fuse Holder	
	1300563	Fuse	
11	1300038	Inverter Drive	
12	1300022	Terminal Block	
13	1300029	Ground Terminal	
14	1300010	Thermal Relay	
15	1300006P	Igniter	

Electromechanical Control Pushbuttons, Switches and Thermostat



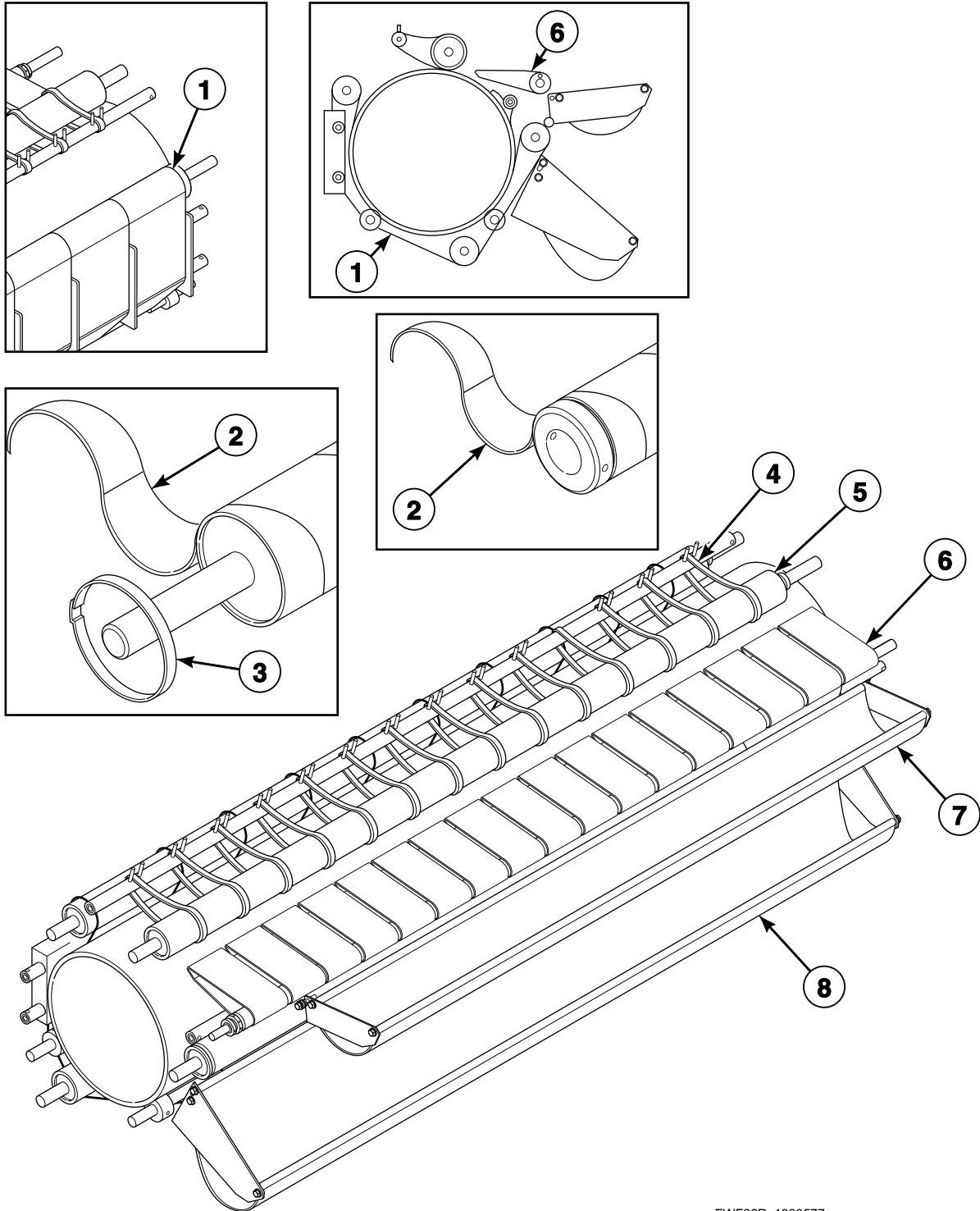
FWF25P_1300577

Electromechanical Control Pushbuttons, Switches and Thermostat

REF	PART NO.	DESCRIPTION	COMMENTS
1	1300039	Pushbutton Head	
	44018701	Contact Block	
2	1300552	Auto Cool Down Switch	
3	1300565P	Temperature Sensor	Models starting 1/1/06
	N/A	Temperature Probe	Models through 12/31/05
4	1300079P	Thermostat	
5	1300026	Speed Potentiometer	
6	1300044	Position Switch Head	
7	1300070	Electronic Thermostat	
8	1300043	Position Switch Body	
9	1300201	Control Panel	
10	1300519	Gas Reset Pushbutton Head	
	1300045	Pushbutton Body	
11	1300041	Switch Body	
	1300040	Switch Head	

N/A = Part no longer available

Rolls, Loading Tray and Delivery Tray

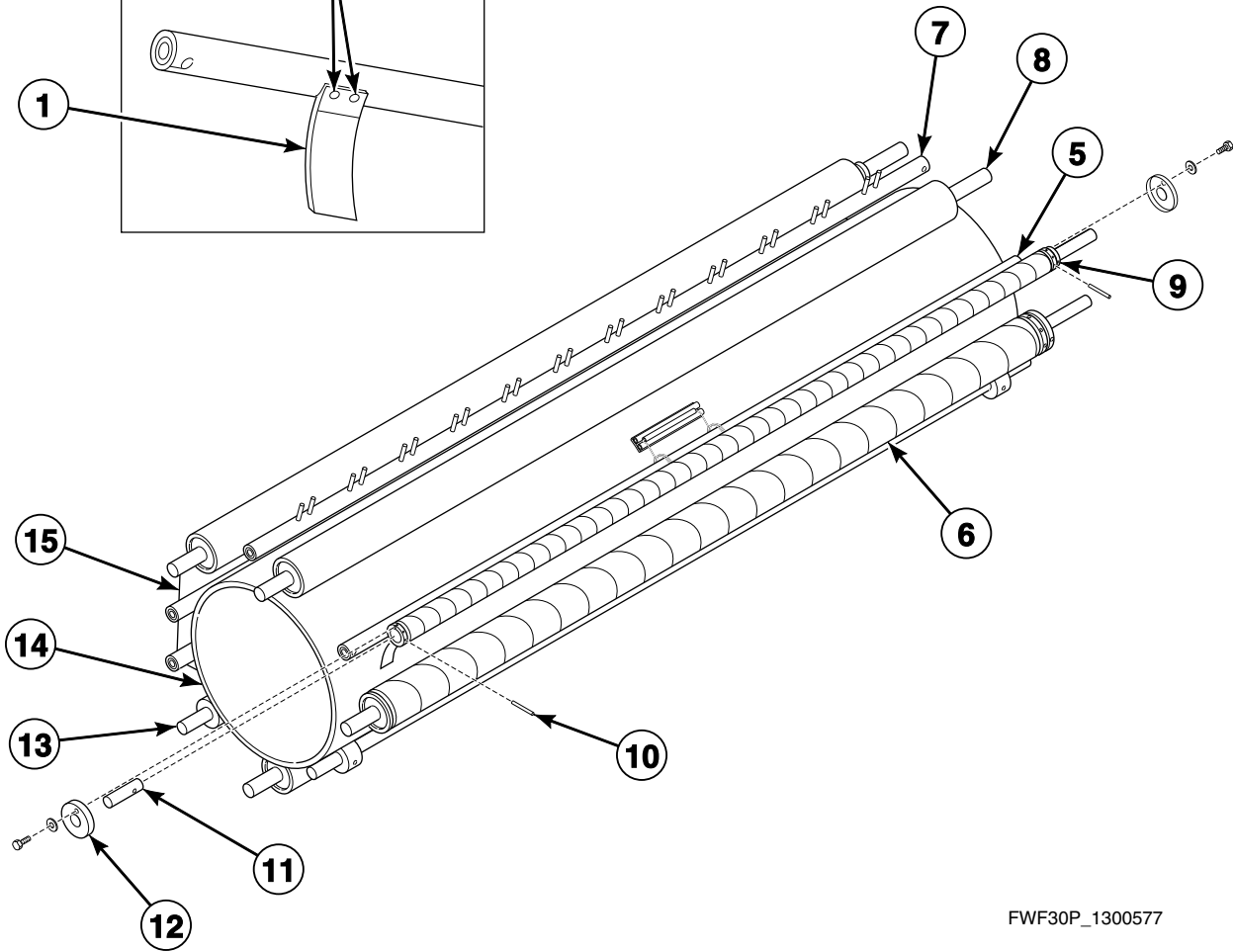
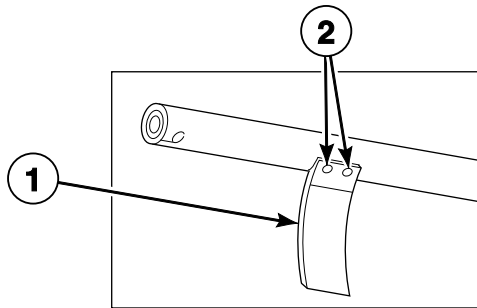
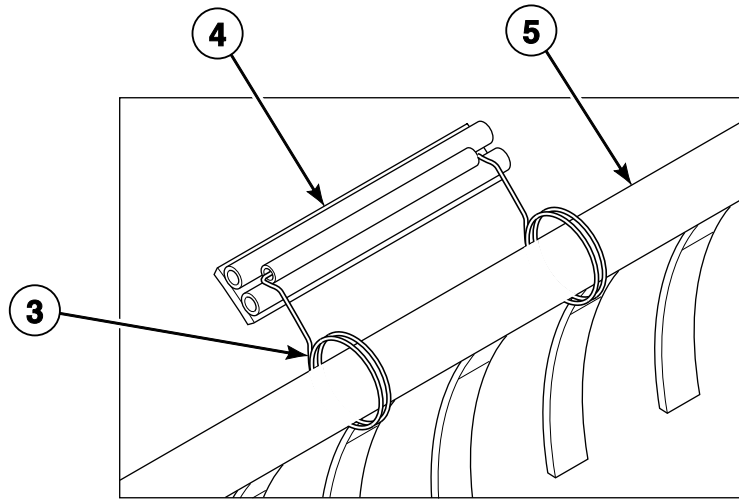


FWF32P_1300577

Rolls, Loading Tray and Delivery Tray

REF	PART NO.	DESCRIPTION	COMMENTS
1	1300154P	Ribbon	Return; 16 required
2	1300162	Roll Tape	Sold per meter; Model UD20F075 Use 13 meters for return ribbon drive roll and 9 meters for feed ribbon drive roll; Model UD20F098 Use 16 meters for return ribbon drive roll and 11 meters for feed ribbon drive roll; Model UD20F126 Use 20 meters for return ribbon drive roll and 14 meters for feed ribbon drive roll
3	1300187	Clamp	
4	1300165	Guide Tape	
5	1300197P	Compression Roll Pad	Model UD20F126
	1300196P	Compression Roll Pad	Model UD20F098
	1300195P	Compression Roll Pad	Model UD20F075
6	1300153P	Feed Ribbon	27 required
7	1300208	Loading Tray	Model UD20F126
	1300207	Loading Tray	Model UD20F098
	1300206P	Loading Tray	Model UD20F075
8	1300212	Delivery Tray	Model UD20F126
	1300211	Delivery Tray	Model UD20F098
	1300210P	Delivery Tray	Model UD20F075

Rolls, Guide and Scrapers

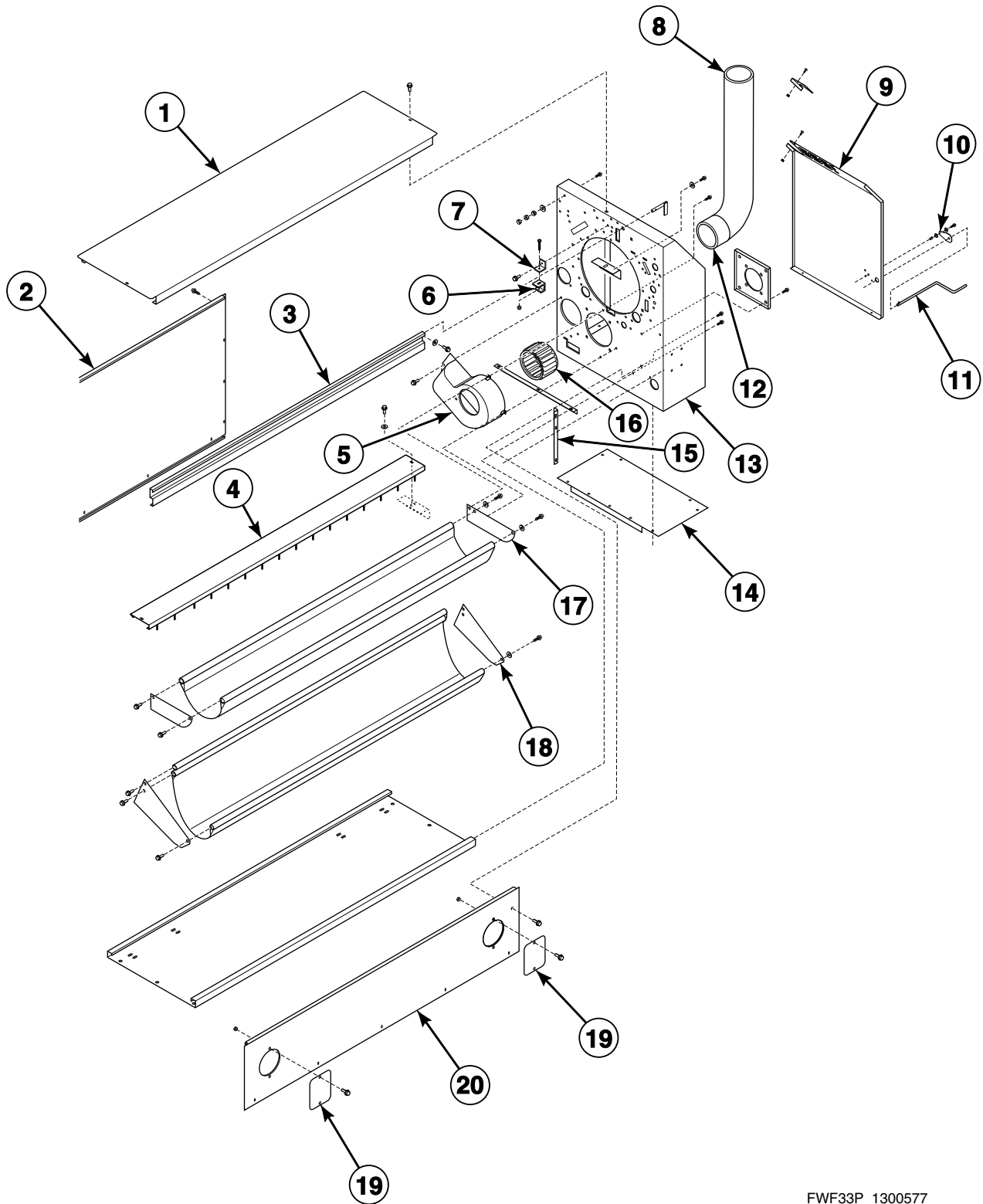


FWF30P_1300577

Rolls, Guide and Scrapers

REF	PART NO.	DESCRIPTION	COMMENTS
1	1300220P	Textile Scraper Kit	Includes 2 1300511 Pop Rivets; Model UD20F075 16 required through 12/31/03, 9 required starting 1/1/04; Model UD20F098 20 required through 12/31/03, 11 required starting 1/1/04; Model UD20F126 26 required through 12/31/03, 14 required starting 1/1/04
2	1300511	Pop Rivet	
3	1300202	Sensor Spring	Use with item 4
4	1300608	Sensor	Models starting serial no. 0000016175
	1300331	Sensor	Models through serial no. 0000016174
5	1300502	Textile Scraper Rail	Model UD20F126
	1300481	Textile Scraper Rail	Model UD20F098
	1300450	Textile Scraper Rail	Model UD20F075
6	1300506	Roller	Model UD20F126
	1300489	Roller	Model UD20F098
	1300466	Roller	Model UD20F075
7	1300505	Guide Rail	Model UD20F126
	1300482	Guide Rail	Model UD20F098
	1300451	Guide Rail	Model UD20F075
8	1300497	Pressure Roll	Model UD20F126
	1300480	Pressure Roll	Model UD20F098
	1300448	Pressure Roll	Model UD20F075
9	1300496	Auxiliary Feed Roll	Model UD20F126
	1300479	Auxiliary Feed Roll	Model UD20F098
	1300447	Auxiliary Feed Roll	Model UD20F075
10	1300159	Drive Roll Roll Pin	
11	1300119P	Feed Roll Shaft Kit	
12	1300463	Roll End	
13	1300138	Heated Roll Shaft	Model UD20F126; Gas and electric models
	1300137	Heated Roll Shaft	Model UD20F098; Gas and electric models
	1300120	Heated Roll Shaft	Model UD20F075; Gas and electric models
14	1300499	Heated Roll	Model UD20F126
	1300473	Heated Roll	Model UD20F098
	1300436	Heated Roll	Model UD20F075
15	1300500	Guide Strip	Model UD20F126
	1300487	Guide Strip	Model UD20F098
	1300449	Guide Strip	Model UD20F075

Feed Table, Finger Guard and Panels

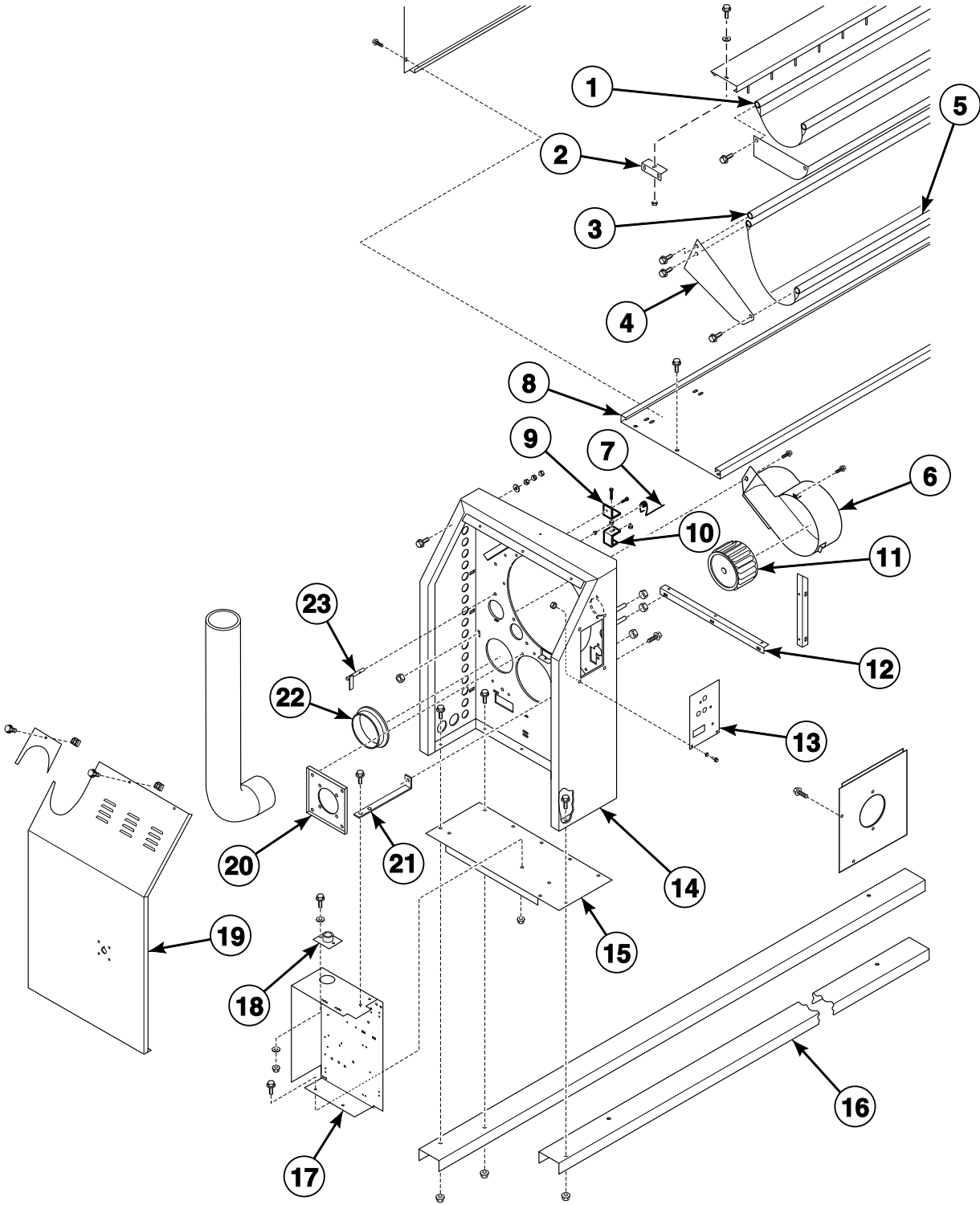


FWF33P_1300577

Feed Table, Finger Guard and Panels

REF	PART NO.	DESCRIPTION	COMMENTS
1	1300230	Top Panel	Model UD20F126
	1300229	Top Panel	Model UD20F098
	1300228	Top Panel	Model UD20F075
2	1300491	Rear Panel	Model UD20F126
	1300476	Rear Panel	Model UD20F098
	1300440	Rear Panel	Model UD20F075
3	1300233	Finger Guard	Model UD20F126
	1300232	Finger Guard	Model UD20F098
	1300231	Finger Guard	Model UD20F075
4	1300495	Feed Table	Model UD20F126
	1300478	Feed Table	Model UD20F098
	1300444	Feed Table	Model UD20F075
5	1300427	Right Blower Housing	
6	1300433	Bracket	
7	1300434	Bracket	
8	1300151	Exhaust Pipe	
9	1300237	Right Panel	
10	1300431	Crank Handle Plate	
11	1300114	Crank Handle	
12	1300150	Exhaust Pipe Elbow	
13	1300553	Right Frame	
14	1300432	Base	
15	1300248P	Front Panel Bracket	
16	1300122	Blower Wheel	
17	1300238	Feed Tray End Panel	
18	1300239	Receiving Tray End Panel	
19	1300423	Cover Plate	
20	1300236	Front Panel	Model UD20F126
	1300235	Front Panel	Model UD20F098
	1300234	Front Panel	Model UD20F075

Rails and Controls

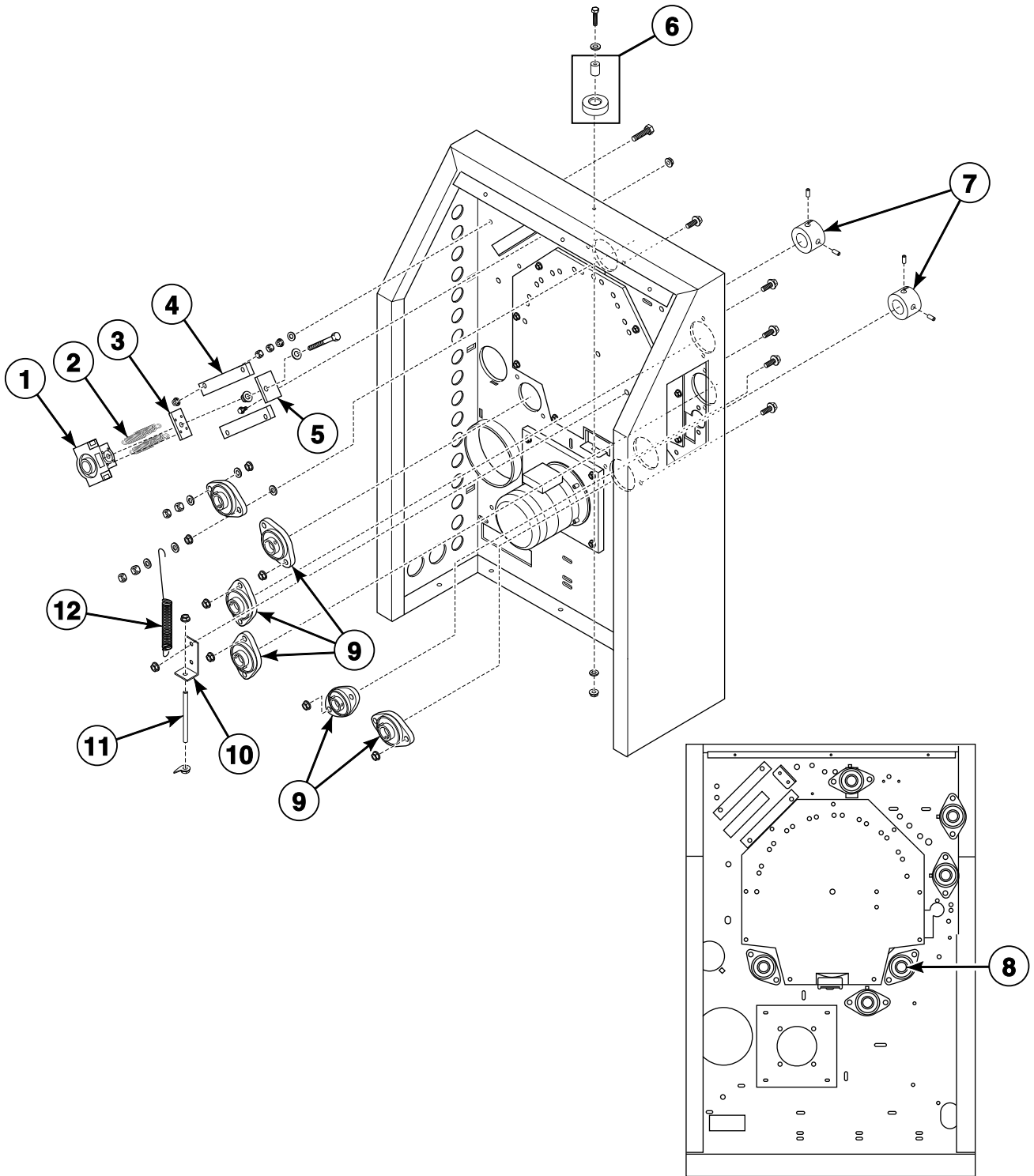


FWF31P_1300577

Rails and Controls

REF	PART NO.	DESCRIPTION	COMMENTS
1	1300494	Rail	Model UD20F126
	1300477	Rail	Model UD20F098
	1300443	Rail	Model UD20F075
2	1300425	Feed Table Bracket	
3	1300493	Rail	Model UD20F126
	1300485	Rail	Model UD20F098
	1300460	Rail	Model UD20F075
4	1300239	Receiving Tray End Panel	
5	1300492	Rail	Model UD20F126
	1300484	Rail	Model UD20F098
	1300459	Rail	Model UD20F075
6	1300428	Left Blower Housing	
7	1300181	Spring	
8	1300490	Bottom Panel	Model UD20F126
	1300475	Bottom Panel	Model UD20F098
	1300439	Bottom Panel	Model UD20F075
9	1300434	Bracket	
10	1300433	Bracket	
11	1300123	Blower Wheel	
12	1300243	Bracket	
13	1300201	Control Panel	
14	1300554	Left Frame	
15	1300432	Base	
16	1300227	Lateral Cross Brace	Model UD20F126
	1300226	Lateral Cross Brace	Model UD20F098
	1300225	Lateral Cross Brace	Model UD20F075
17	1300240	Electrical Box	
18	1300457	Plate	
19	1300249	Left Panel	Models with gas heating
	1300250	Left Panel	Standard models
20	1300426	Motor Mount	
21	1300247	Bracket	
22	1300445	Blower Flange	
23	1300087	Finger Guard Shaft	

Tension Bearing and Side Roller

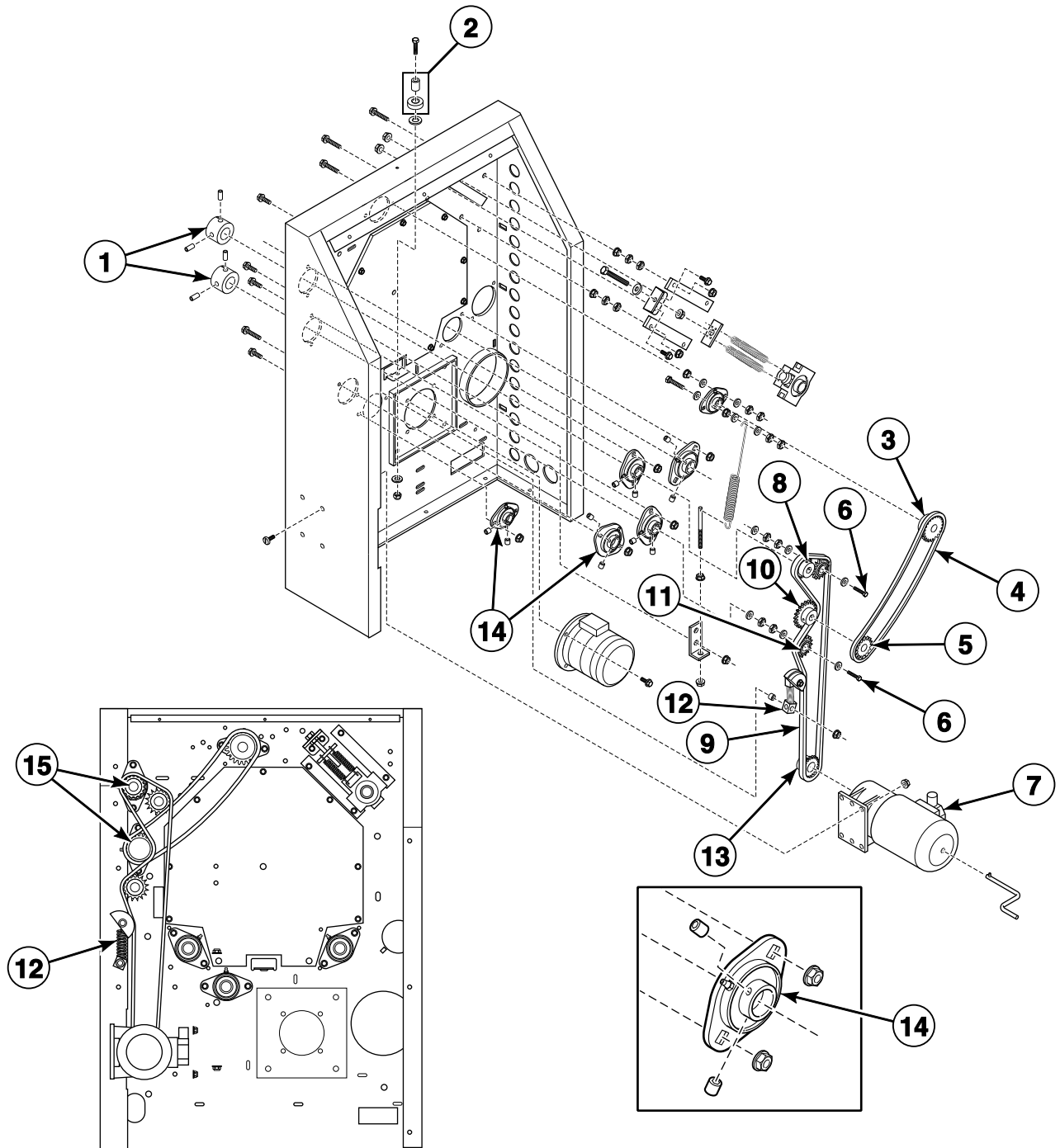


FWF29P_1300577

Tension Bearing and Side Roller

REF	PART NO.	DESCRIPTION	COMMENTS
1	1300125	Tension Bearing	
2	1300158	Tension Spring	
3	1300113	Tension Bearing Slide Plate	
4	1300112	Tension Bearing Slide Rail	
5	1300429	Tension Spring Bracket	
6	1300084	Side Roller	
7	1300574	Collar	Models through 1/8/06
	1300585P	Collar	Models starting 1/9/06
	1300860	Collar	
	1300590	Collar	Models starting 1/9/06
8	1300591	Tube	Model UD20F075; Models starting 1/9/06
	1300137	Heated Roll Shaft	Model UD20F098; Models starting 1/9/06
9	1300124P	Bearing	
10	1300246	Tension Spring Bracket	
11	1300131	Tension Spring Shaft	
12	1300149	Tension Spring	

Sprockets and Chain Tensioner

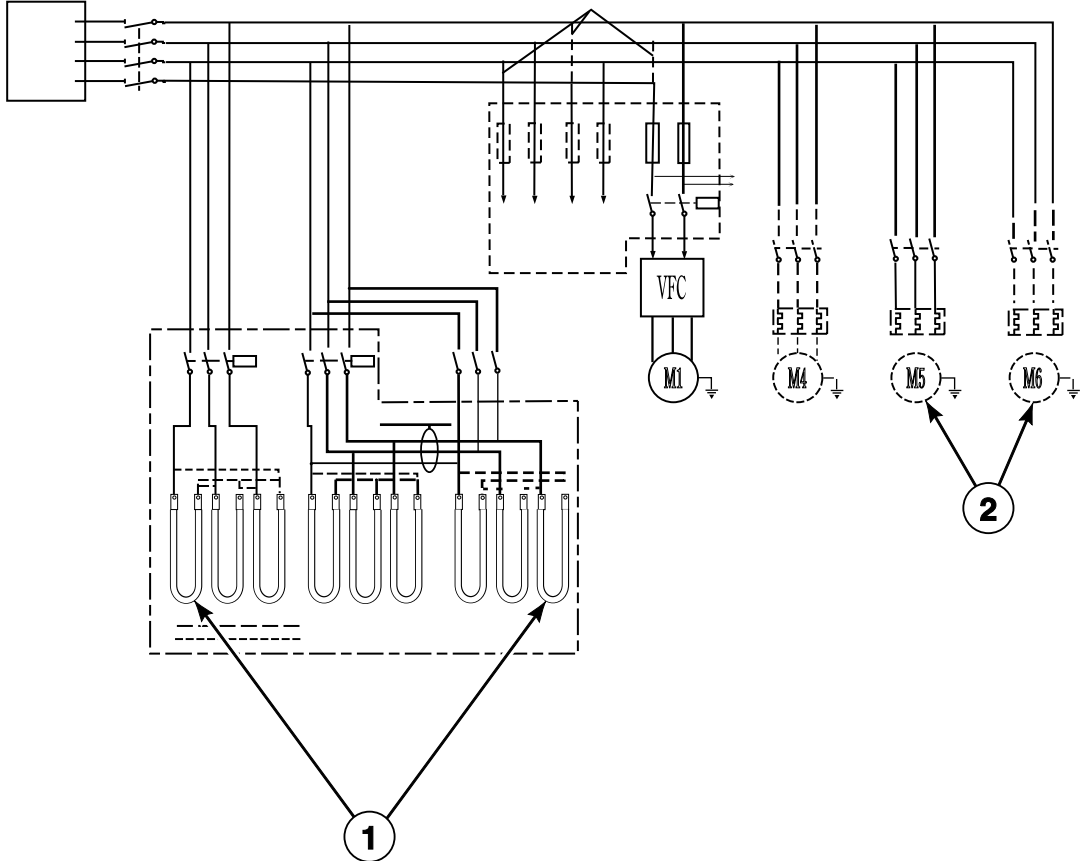


FWF34P_1300577

Sprockets and Chain Tensioner

REF	PART NO.	DESCRIPTION	COMMENTS
	1300876	Chain Link	Use with items 5 and 9
1	1300585P	Collar	Models starting 1/9/06; 2 required
	1300860	Collar	Models UD20F075 and UD20F098 4 required; Model UD20F126 8 required
	1300590	Collar	Models UD20F075 and UD20F098; Models starting 1/9/06
2	1300084	Side Roller	
3	1300118	Compression Roll Sprocket	
4	1300879P	Press Roll Chain	1.7 meters required for drive roll and 1.1 meters required for compression roll
5	1300116	Sprocket	
6	1300509	Sprocket Shaft	80 mm in length
	1300512	Sprocket Shaft	120 mm in length
7	1300882	Drive Motor	
8	1300888	Sprocket	08B-14
9	1300127	Chain	Sold per meter; 1.7 meters required for drive roll and 1.1 meters required for compression roll
10	1300117	Sprocket	
11	1300146	Idler Sprocket	
12	1300145	Chain Tensioner Assembly	
13	1300115	Sprocket	
14	1300124P	Bearing	
15	1300591	Tube	Model UD20F075; Models starting 1/9/06
	1300137	Heated Roll Shaft	Model UD20F098; Models starting 1/9/06
	1300138	Heated Roll Shaft	Model UD20F126

Heating Element and Fan Motor - Electric Heat Models

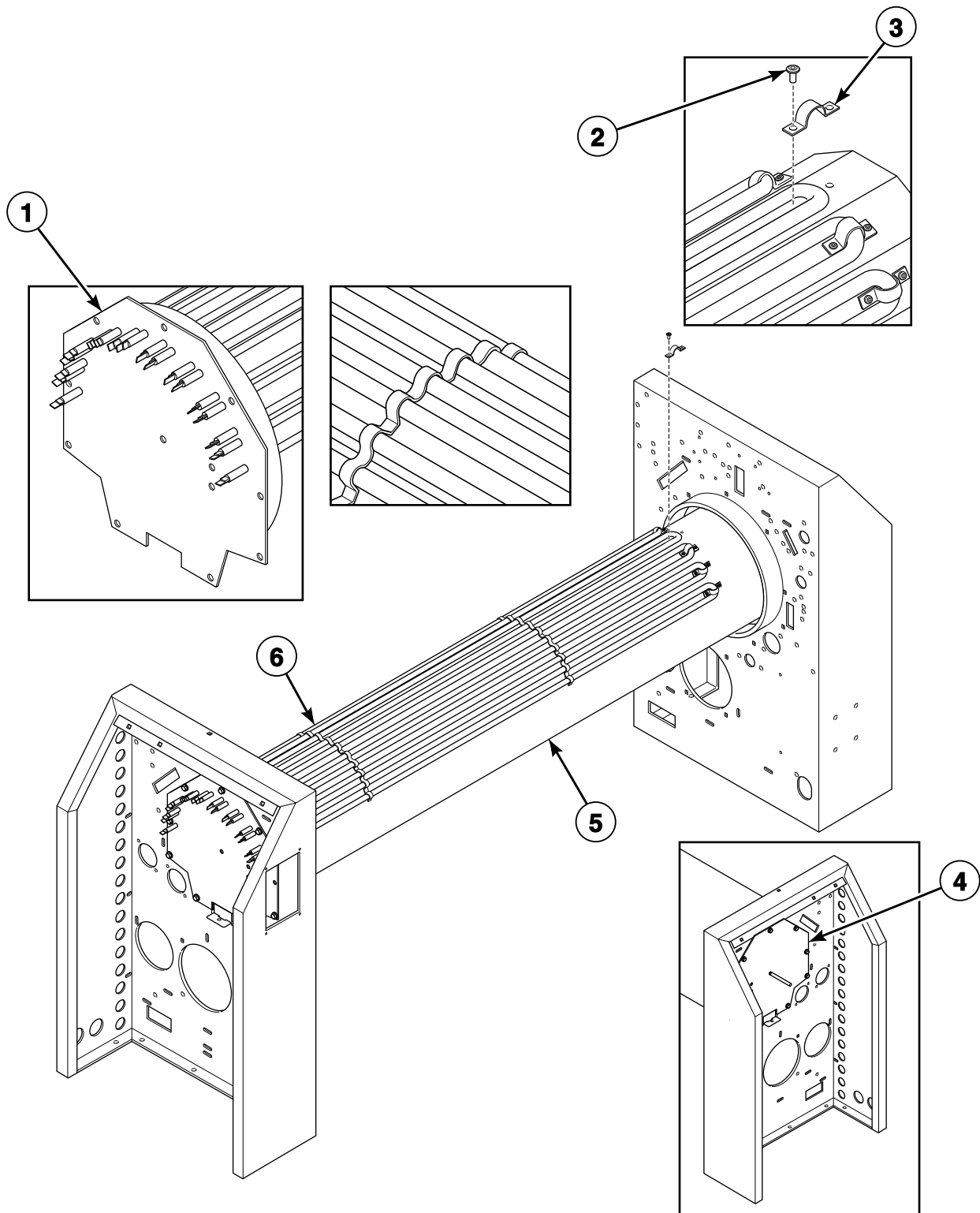


FWF123P_1300577

Heating Element and Fan Motor - Electric Heat Models

REF	PART NO.	DESCRIPTION	COMMENTS
1	1300077	Heating Element	Model UD20F126
	1300076	Heating Element	Model UD20F098
	1300075	Heating Element	Model UD20F075
2	1300064	Fan Motor	

Electric Heated Roll - Electric Heat Models

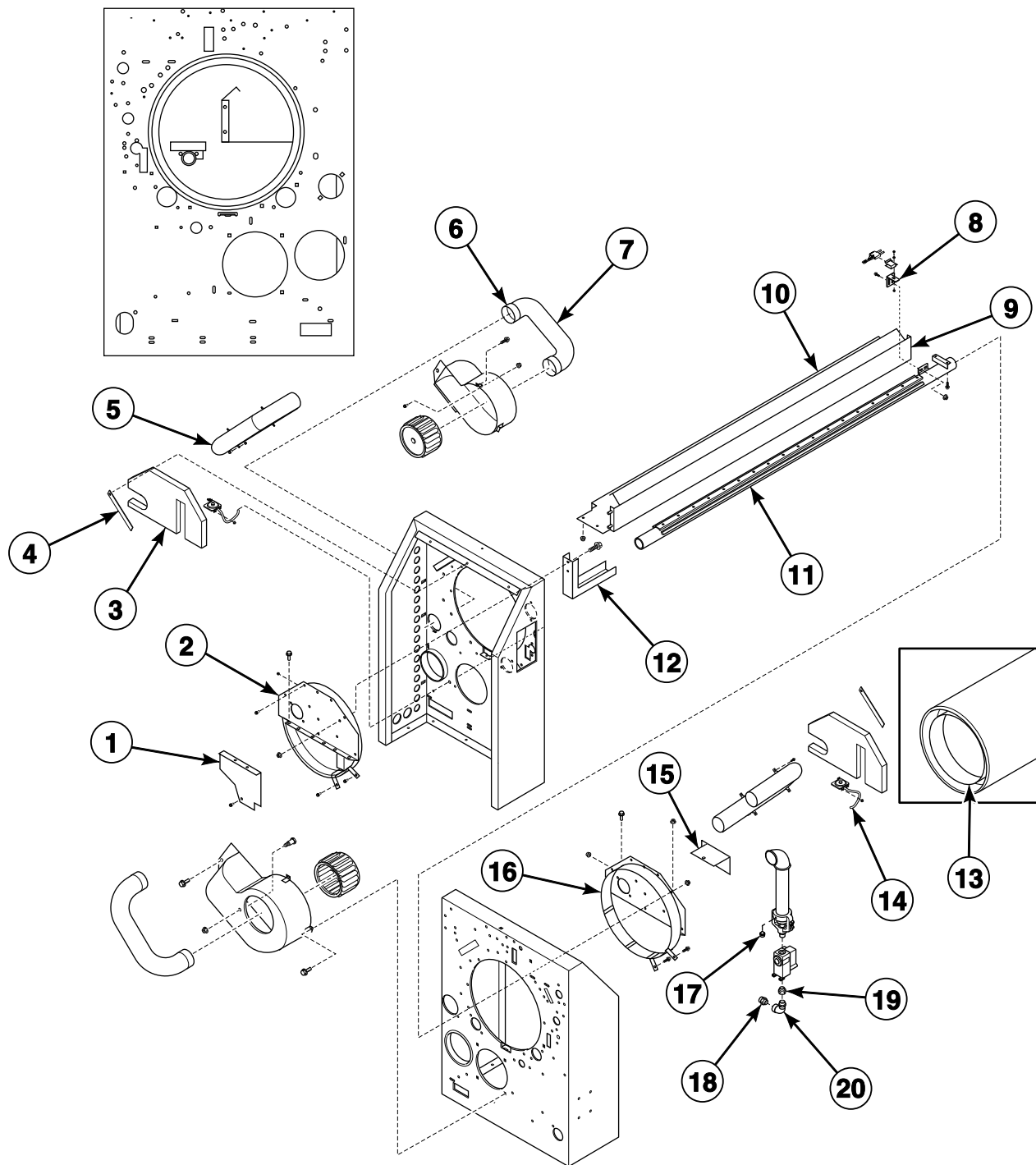


FWF26P_1300577

Electric Heated Roll - Electric Heat Models

REF	PART NO.	DESCRIPTION	COMMENTS
1	1300508	Left Electric Heated Roll End	Model UD20F126
	1300470	Left Electric Heated Roll End	Models UD20F075 and UD20F098
2	1300510	Pop Rivet	
3	1300178	Heating Element Clamp	
4	1300507	Right Electric Heated Roll End	Model UD20F126
	1300469	Right Electric Heated Roll End	Model UD20F098
	1300468	Right Electric Heated Roll End	Model UD20F075
5	1300498	Electric Heat Inner Roll	Model UD20F126
	1300486	Electric Heat Inner Roll	Model UD20F098
	1300455	Electric Heat Inner Roll	Model UD20F075
6	1300077	Heating Element	Model UD20F126
	1300076	Heating Element	Model UD20F098
	1300075	Heating Element	Model UD20F075

Burner and Exhaust - Gas Heat Models



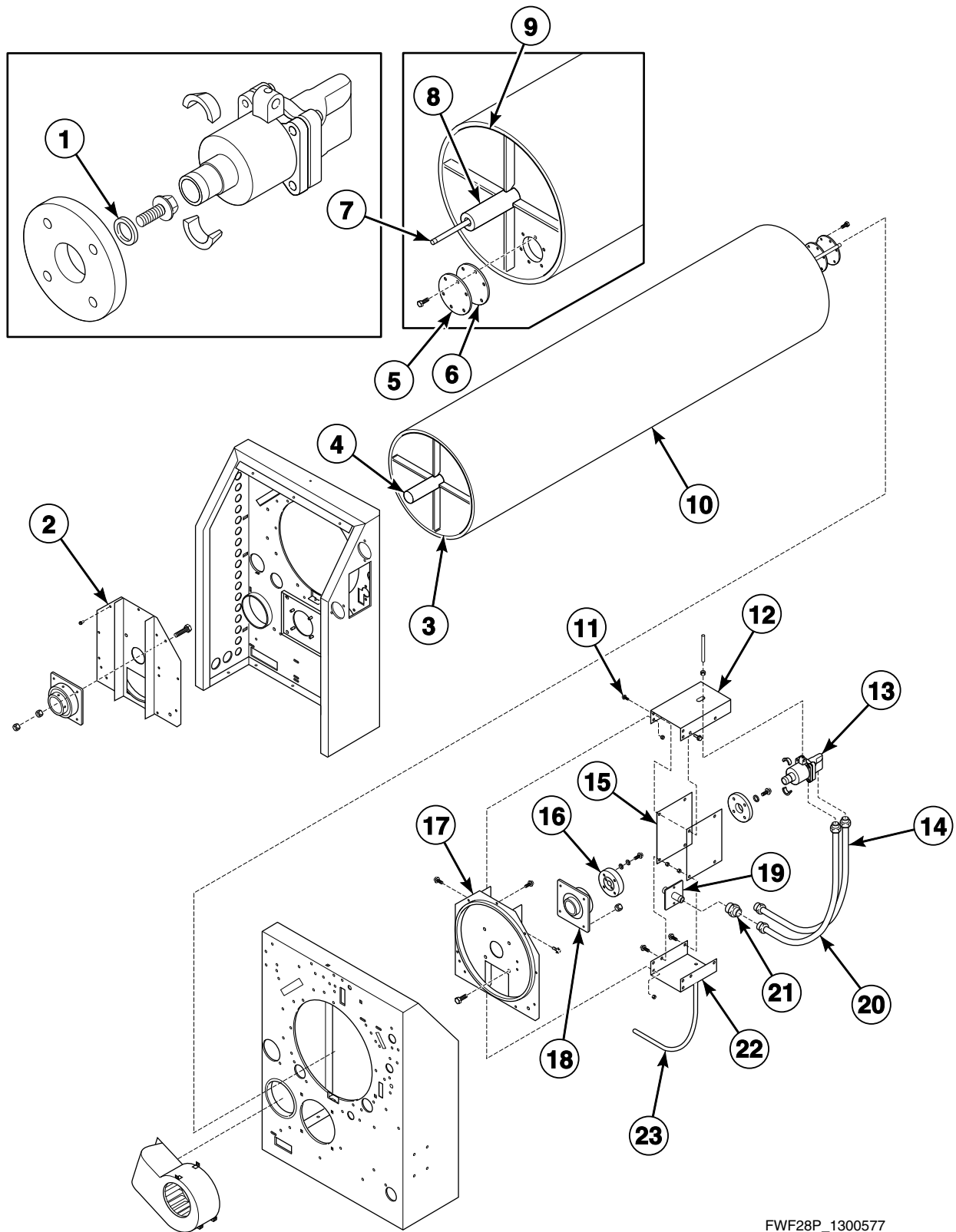
FWF27P_1300577

Burner and Exhaust - Gas Heat Models

REF	PART NO.	DESCRIPTION	COMMENTS
	1300564	L.P. Valve Kit	
1	1300472	Gas Heated Roll End	
2	1300467	Left Gas Heated Roll End	
3	1300147	Insulation	
4	1300244	Insulation Bracket	
5	1300458	Gas Exhaust Pipe	
6	1300175	Elbow	
7	1300152	Blower Pipe Sleeve	
8	1300438	Igniter Bracket	
9	1300501	Gas Screen	Model UD20F126
	1300483	Gas Screen	Model UD20F098
	1300430	Gas Screen	Model UD20F075
10	1300503	Gas Deflector	Model UD20F126
	1300488	Gas Deflector	Model UD20F098
	1300464	Gas Deflector	Model UD20F075
11	1300192	Burner	Model UD20F126
	1300191	Burner	Model UD20F098
	1300190	Burner	Model UD20F075
12	1300242	Gas Burner Bracket	Large
	1300241	Gas Burner Bracket	Small
13	1300471	Gas Deflector	
14	1300193	Pressure Switch Tubing	
15	1300456	Gas Screen End	
16	1300446	Gas Heated Roll End	
17	1300167	Burner Orifice	
	1300781	Burner Orifice	Specify type of gas
	1300606	Burner Orifice	1.5 mm (blank)
	1300607	Burner Orifice	2.35 mm; Liquid Petroleum Gas (L.P.)
	1300538	Burner Orifice	2.5 mm; L.P.
	1300539	Burner Orifice	3 mm; L.P.
	1300854	Burner Orifice	3.2 mm; L.P.
	1300540	Burner Orifice	3.5 mm; L.P.
	1300541	Burner Orifice	4.1 mm; L.P.
	1300542	Burner Orifice	4.4 mm; L.P.
	1300862	Burner Orifice	4.1 mm; Natural Gas (N.G.)
	1300544	Burner Orifice	4.8 mm; N.G.
	1300855	Burner Orifice	5.0 mm; N.G.
	1300856	Burner Orifice	5.5 mm; N.G.
	1300857	Burner Orifice	6.4 mm; N.G.
	1300545	Burner Orifice	7.1 mm; N.G.
18	1300180	Reducing Bushing	
19	1300179	Reducing Bushing	
20	N/A	Elbow	

N/A = Part no longer available

Heated Roll - Steam Heat Models



FWF28P_1300577

Heated Roll - Steam Heat Models

REF	PART NO.	DESCRIPTION	COMMENTS
1	1300143	Fitting	
2	1300461	Left Steam Heated Roll End	
3	1300132	Left Steam Heated Roll Bottle	
4	1300133	Heated Roll Shaft	Left
5	1300424	Heated Roll Plate	
6	1300185	Gasket	
7	1300441	Steam Heated Roll Syphon Tube	
8	1300142	Heated Roll Shaft	
9	1300144	Right Steam Heated Roll Bottle	
10	1300504	Steam Heated Roll	Model UD20F126
	1300474	Steam Heated Roll	Model UD20F098
	1300437	Steam Heated Roll	Model UD20F075
11	1300442	Rotary Joint Stud	Left
12	1300452	Steam Heated Roll Box Top	
13	1300140	Steam Heat Rotary Joint	
14	1300203P	Steam Hose	
15	1300454	Steam Heated Roll Box Side	
16	1300141	Rotary Joint Flange	
17	1300462	Right Steam Heated Roll End	
18	1300126	Heated Roll Bearing	
19	1300435	Heated Roll Bearing Housing	
20	1300204	Steam Hose	
21	N/A	Fitting	
22	1300453	Steam Heated Roll Box Bottom	
23	1300188	Drain Tube	

N/A = Part no longer available

Labels



FWF148P_1300577

Labels

REF	PART NO.	DESCRIPTION	COMMENTS
1	502511	Electrical Shock Label	
2	F200318200	Cover Decal	
3	M411815	Vent and Thimble Caution Label	
4	70360901	Belt Edging	
5	500316	Warning Label	
6	N/A	Hot Surface Warning Plate	
7	501140	Natural Gas Notice Label	
8	M412238	Rotating Warning Sticker	

N/A = Part no longer available

Parts Index

A

Auto Cool Down Switch	
1300552	13
Auxiliary Contactor	
1300011	9, 11
Auxiliary Feed Roll	
1300447	17
1300479	17
1300496	17
Auxiliary Main Switch	
1300054	9
1300057	9, 11

B

Base	
1300432	19, 21
Bearing	
1300124P	23, 25
Belt Edging	
70360901	35
Blower Flange	
1300445	21
Blower Pipe Sleeve	
1300152	31
Blower Wheel	
1300122	19
1300123	21
Bottom Panel	
1300439	21
1300475	21
1300490	21
Bracket	
1300243	21
1300247	21
1300433	19, 21
1300434	19, 21
Burner	
1300190	31
1300191	31
1300192	31
Burner Orifice	
1300167	31
1300538	31
1300539	31
1300540	31
1300541	31
1300542	31
1300544	31
1300545	31
1300606	31
1300607	31
1300781	31
1300854	31
1300855	31
1300856	31
1300857	31
1300862	31

C

Chain	
1300127	25
Chain Link	
1300876	25
Chain Tensioner Assembly	
1300145	25
Clamp	
1300187	15
Collar	
1300574	23
1300585P	23, 25
1300590	23, 25
1300860	23, 25
Compression Roll Pad	
1300195P	15
1300196P	15
1300197P	15
Compression Roll Sprocket	
1300118	25
Contact Block	
44018701	5, 7, 13
Contacto	
1300014	5
Control Panel	
1300201	13, 21
1300526P	5, 7
Cover Decal	
F200318200	35
Cover Plate	
1300423	19
Crank Handle	
1300114	19
Crank Handle Plate	
1300431	19

D

Delivery Tray	
1300210P	15
1300211	15
1300212	15
Door Lock	
1300060	9, 11
Drain Tube	
1300188	33
Drive Motor	
1300882	25
Drive Roll Roll Pin	
1300159	17

E

Elbow	
1300175	31
Electric Heat Inner Roll	
1300455	29

N/A items do not appear in index.

1300486	29
1300498	29
Electrical Box	
1300240	21
Electrical Shock Label	
502511	35
Electronic Thermostat	
1300070	13
Emergency Stop Kit	
44018701P	5, 7
Emergency Switch	
1300559	5, 7
Exhaust Pipe	
1300151	19
Exhaust Pipe Elbow	
1300150	19

F

Fan Contactor	
1300009	9, 11
Fan Inverter	
1300054-1	7
Fan Motor	
1300064	27
Feed Ribbon	
1300153P	15
Feed Roll Shaft Kit	
1300119P	17
Feed Table	
1300444	19
1300478	19
1300495	19
Feed Table Bracket	
1300425	21
Feed Tray End Panel	
1300238	19
Finger Guard	
1300231	19
1300232	19
1300233	19
Finger Guard Shaft	
1300087	21
Fitting	
1300143	33
Front Panel	
1300234	19
1300235	19
1300236	19
Front Panel Bracket	
1300248P	19
Fuse	
1300531	5, 7
1300532	7
1300533	7
1300547	5, 7
1300563	11
Fuse Holder	
1300028	9, 11
1300529	5, 7

G

Gas Burner Bracket	
1300241	31
1300242	31
Gas Deflector	
1300464	31
1300471	31
1300488	31
1300503	31
Gas Exhaust Pipe	
1300458	31
Gas Heat Contactor	
1300525P	7
Gas Heated Roll End	
1300446	31
1300472	31
Gas Reset Pushbutton Head	
1300519	13
Gas Screen	
1300430	31
1300483	31
1300501	31
Gas Screen End	
1300456	31
Gas Valve	
1300080	7
1300518	11
1300627	7, 11
Gas Valve Harness	
1300007	7, 11
Gasket	
1300185	33
Ground Terminal	
1300029	9, 11
Ground Terminal Block	
1300517	5, 7
1300555	5, 7
Guide Rail	
1300451	17
1300482	17
1300505	17
Guide Strip	
1300449	17
1300487	17
1300500	17
Guide Tape	
1300165	15

H

Harness	
1300885	11
Heat Contactor	
1300012	5, 9
1300013	5, 9
Heated Roll	
1300436	17
1300473	17
1300499	17
Heated Roll Bearing	
1300126	33

N/A items do not appear in index.

Heated Roll Bearing Housing	
1300435	33
Heated Roll Plate	
1300424	33
Heated Roll Shaft	
1300120	17
1300133	33
1300137	17, 23, 25
1300138	17, 25
1300142	33
Heating Element	
1300075	27, 29
1300076	27, 29
1300077	27, 29
Heating Element Clamp	
1300178	29

I

Idler Sprocket	
1300146	25
Igniter	
1300006P	7, 11
Igniter Bracket	
1300438	31
Ignition Control	
1300008	7
1300520P	11
Insulation	
1300147	31
Insulation Bracket	
1300244	31
Inverter Drive	
1300038	9, 11
1300558	5
1300561	7

L

Lateral Cross Brace	
1300225	21
1300226	21
1300227	21
Left Blower Housing	
1300428	21
Left Electric Heated Roll End	
1300470	29
1300508	29
Left Frame	
1300554	21
Left Gas Heated Roll End	
1300467	31
Left Panel	
1300249	21
1300250	21
Left Steam Heated Roll Bottle	
1300132	33
Left Steam Heated Roll End	
1300461	33

Loading Tray	
1300206P	15
1300207	15
1300208	15
L.P. Valve Kit	
1300564	31

M

Main Switch	
1300048P	11
1300055	9
Main Switch Extension	
1300059	9, 11
Main Switch Handle	
1300053	9
1300056	9, 11
Motor Mount	
1300426	21

N

Natural Gas Notice Label	
501140	35

P

Plate	
1300457	21
Pop Rivet	
1300510	29
1300511	17
Position Switch Body	
1300043	5, 7, 13
Position Switch Head	
1300044	5, 7, 13
Press Roll Chain	
1300879P	25
Pressure Roll	
1300448	17
1300480	17
1300497	17
Pressure Switch	
1300033MP	7, 11
Pressure Switch Tubing	
1300193	31
Printed Circuit Board	
1300527P	5, 7
Pushbutton	
44018801	5, 7
Pushbutton Body	
1300045	13
Pushbutton Head	
1300039	13

R

Rail	
1300443	21

N/A items do not appear in index.

1300459	21
1300460	21
1300477	21
1300484	21
1300485	21
1300492	21
1300493	21
1300494	21
Rear Panel	
1300440	19
1300476	19
1300491	19
Receiving Tray End Panel	
1300239	19, 21
Reducing Bushing	
1300179	31
1300180	31
Ribbon	
1300154P	15
Right Blower Housing	
1300427	19
Right Electric Heated Roll End	
1300468	29
1300469	29
1300507	29
Right Frame	
1300553	19
Right Panel	
1300237	19
Right Steam Heated Roll Bottle	
1300144	33
Right Steam Heated Roll End	
1300462	33
Roll End	
1300463	17
Roll Tape	
1300162	15
Roller	
1300466	17
1300489	17
1300506	17
Rotary Joint Flange	
1300141	33
Rotary Joint Stud	
1300442	33
Rotating Warning Sticker	
M412238	35

S

Safety Microswitch	
1300521	5, 7
Sensor	
1300331	17
1300608	17
Sensor Spring	
1300202	17
Side Roller	
1300084	23, 25
Speed Potentiometer	
1300026	13
Spring	
1300181	21

Sprocket	
1300115	25
1300116	25
1300117	25
1300888	25
Sprocket Shaft	
1300509	25
1300512	25
Steam Heat Rotary Joint	
1300140	33
Steam Heated Roll	
1300437	33
1300474	33
1300504	33
Steam Heated Roll Box Bottom	
1300453	33
Steam Heated Roll Box Side	
1300454	33
Steam Heated Roll Box Top	
1300452	33
Steam Heated Roll Syphon Tube	
1300441	33
Steam Hose	
1300203P	33
1300204	33
Switch Body	
1300041	13
Switch Head	
1300040	13

T

Temperature Sensor	
1300565P	5, 7, 13
Tension Bearing	
1300125	23
Tension Bearing Slide Plate	
1300113	23
Tension Bearing Slide Rail	
1300112	23
Tension Spring	
1300149	23
1300158	23
Tension Spring Bracket	
1300246	23
1300429	23
Tension Spring Shaft	
1300131	23
Terminal Block	
1300021	5, 7
1300022	9, 11
1300556	5, 7
1300557	5, 7
Textile Scraper Kit	
1300220P	17
Textile Scraper Rail	
1300450	17
1300481	17
1300502	17
Thermal Relay	
1300010	5, 9, 11
Thermostat	
1300079P	5, 7, 13

N/A items do not appear in index.

Top Panel	
1300228	19
1300229	19
1300230	19
Transformer	
1300522	7
1300534P	5
Tube	
1300591	23, 25

V

Vent and Thimble Caution Label	
M411815	35

W

Warning Label	
500316	35
