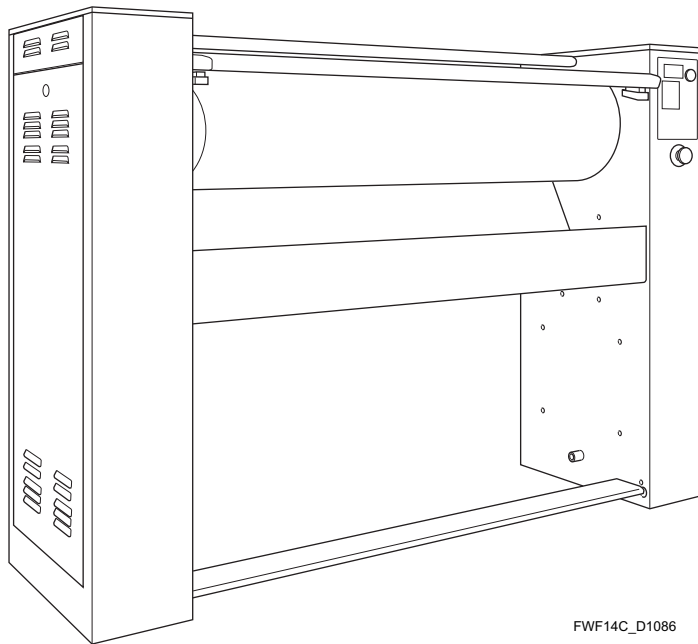


Flatwork Finisher

Refer to Page 3 for Model Numbers



FWF14C_D1086

Table of Contents

Title	Page
Parts Ordering Information.....	2
Nameplate Location	2
Model Identification	3
Control Board.....	4
Tray and Roller Assembly - 1000 and 2000 Models	6
Tray and Roller Assembly - 1400 Models	8
Frame Assembly - 1000 and 1200 Models	10
Frame Assembly - 1400 Models (Drawing 1 of 2).....	12
Frame Assembly - 1400 Models (Drawing 2 of 2).....	14
Parts Index.....	17

© Copyright 2013, Alliance Laundry Systems LLC

All rights reserved. No part of the contents of this book may be reproduced or transmitted in any form or by any means without the expressed written consent of the publisher.

Parts Ordering Information

If literature or replacement parts are required, contact the source from whom the machine was purchased or contact Alliance Laundry Systems at (920) 748-3950 for the name and address of the nearest authorized parts distributor.

For technical assistance, call either of the numbers listed below:

(920) 748-3121 Ripon, Wisconsin

+32 56 41 20 54 Wevelgem, Belgium

Nameplate Location

When calling or writing about your product, be sure to mention model and serial numbers. Model and serial numbers are located on nameplate(s) as shown.

Model Identification

Information in this manual is applicable to these flatwork finisher models:

RI1000/25

RI1200/25

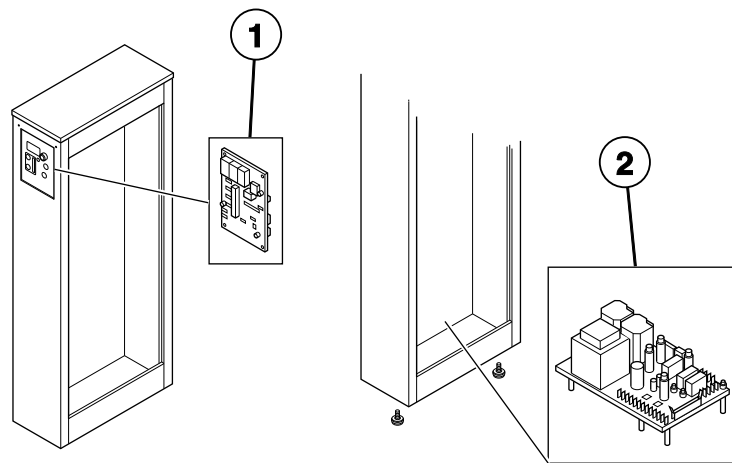
RI1400/25

RI1400/25AV

RI1400/25AVL

RI1400/25F

Control Board

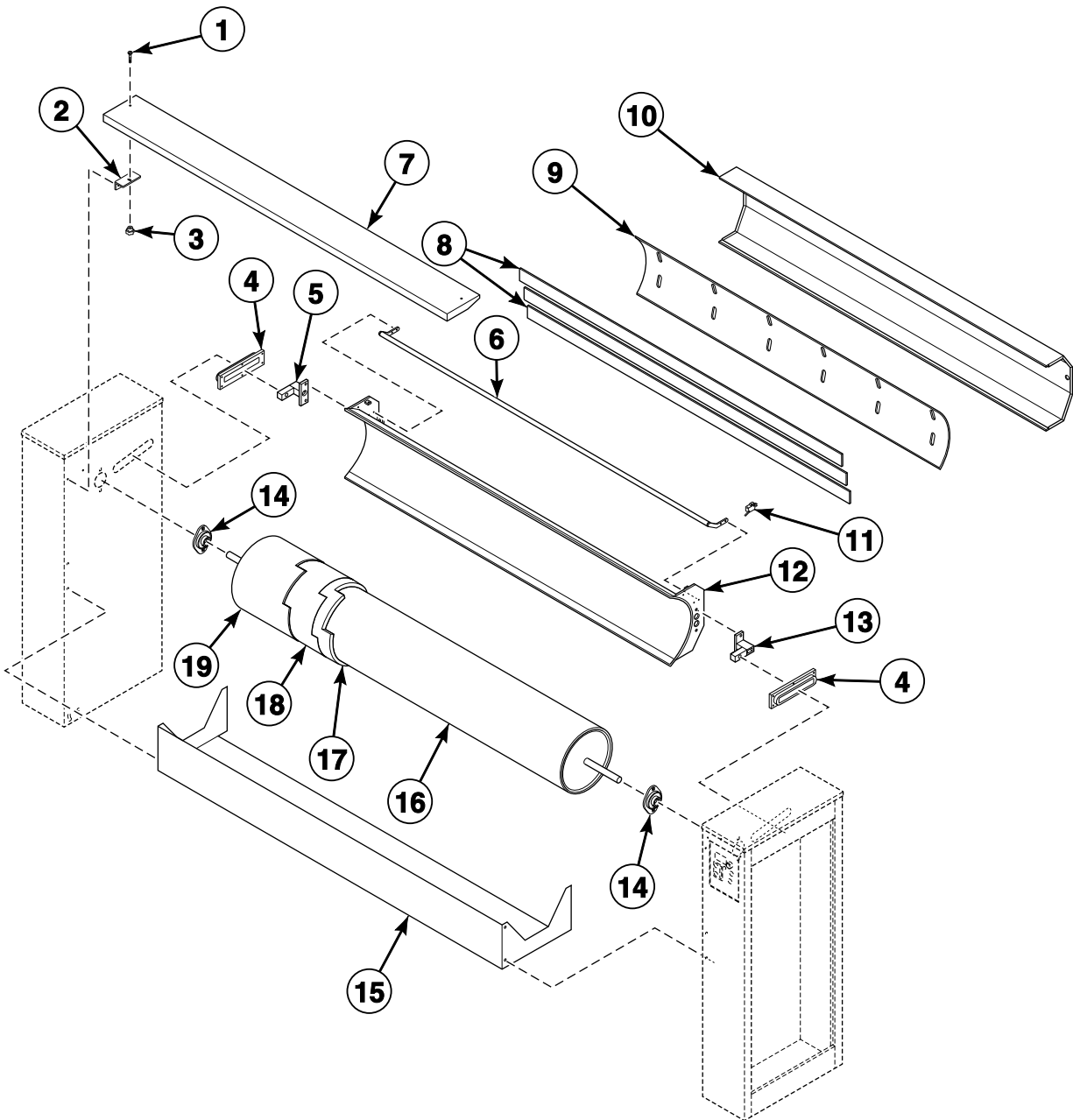


FWF225P_D1086

Control Board

REF	PART NO.	DESCRIPTION	COMMENTS
1	GM480000029	Pre-Programmed Logic Board	Models RI1400/25AV, RI1400/25AVL and RI1400/25F; Models through 4/19/09
	GM508000005	Pre-Programmed Logic Board	Models RI1400/25AV, RI1400/25AVL and RI1400/25F; Models starting 4/20/09
	GM480000028	Pre-Programmed Logic Board	Models RI1000/25, RI1200/25 and RI1400/25
2	GM580000022	Relay Printboard	Models RI1400/25AV, RI1400/25AVL and RI1400/25F through 4/19/09; Models RI1000/25, RI1200/25 and RI1400/25
	GM508000006	Relay Printboard	Models RI1400/25AV, RI1400/25AVL and RI1400/25F; Models starting 4/20/09

Tray and Roller Assembly - 1000 and 2000 Models



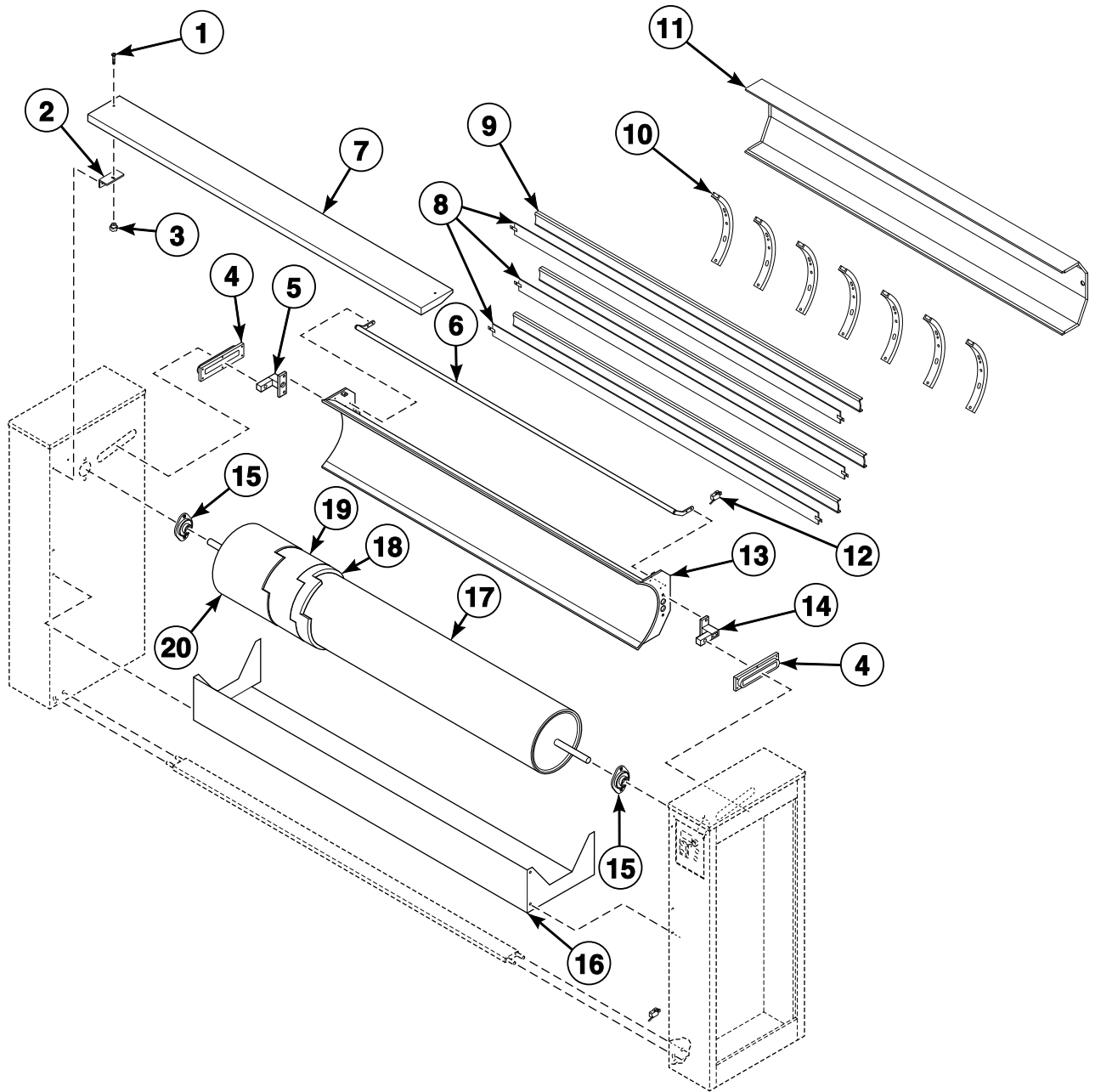
FWF226P_D1086

Tray and Roller Assembly - 1000 and 2000 Models

REF	PART NO.	DESCRIPTION	COMMENTS
1	N/A	Screw	
2	GM011016	Table Support	
3	GMVC19230B-M5	Lock	
4	GM015031	Slide Guide	
5	GM015016SX	Ironing Plate Support	Left
6	GM015013	Finger Guard	Model RI1000/25
	GM016004	Finger Guard	Model RI1200/25
7	GM015030	Wooden Table	Model RI1000/25
	GM016009	Wooden Table	Model RI1200/25
8	GM047A010	Heating Element	Model RI1000/25
	GM047A009	Heating Element	Model RI1200/25
9	GM015014	Heating Element Lock	Model RI1000/25
	GM016006	Heating Element Lock	Model RI1200/25
	GM026012	Clamp	
10	GM028001	Rear Cover	Model RI1000/25
	GM029001	Rear Cover	Model RI1200/25
11	GMCRO831537AX29	Finger Guard Microswitch	
12	GM015015	Ironing Plate	Model RI1000/25
	GM016007	Ironing Plate	Model RI1200/25
13	GM015016DX	Ironing Plate Support	Right
14	GM011039	Support	Models through 4/19/09
	GMSBPFL204	Support	Models starting 4/20/09
15	GM590100001	Slide	Model RI1000/25
	GM590100002	Slide	Model RI1200/25
16	GM015018	Roller	Model RI1000/25
	GM016010	Roller	Model RI1200/25
17	GMLACC	Steelwool	
18	GMM100025	Flannel	Model RI1000/25
	GMM120025	Flannel	Model RI1200/25
19	GMTN100025	Ironing Cloth	Model RI1000/25
	GMTN120025	Ironing Cloth	Model RI1200/25

N/A = Part no longer available

Tray and Roller Assembly - 1400 Models



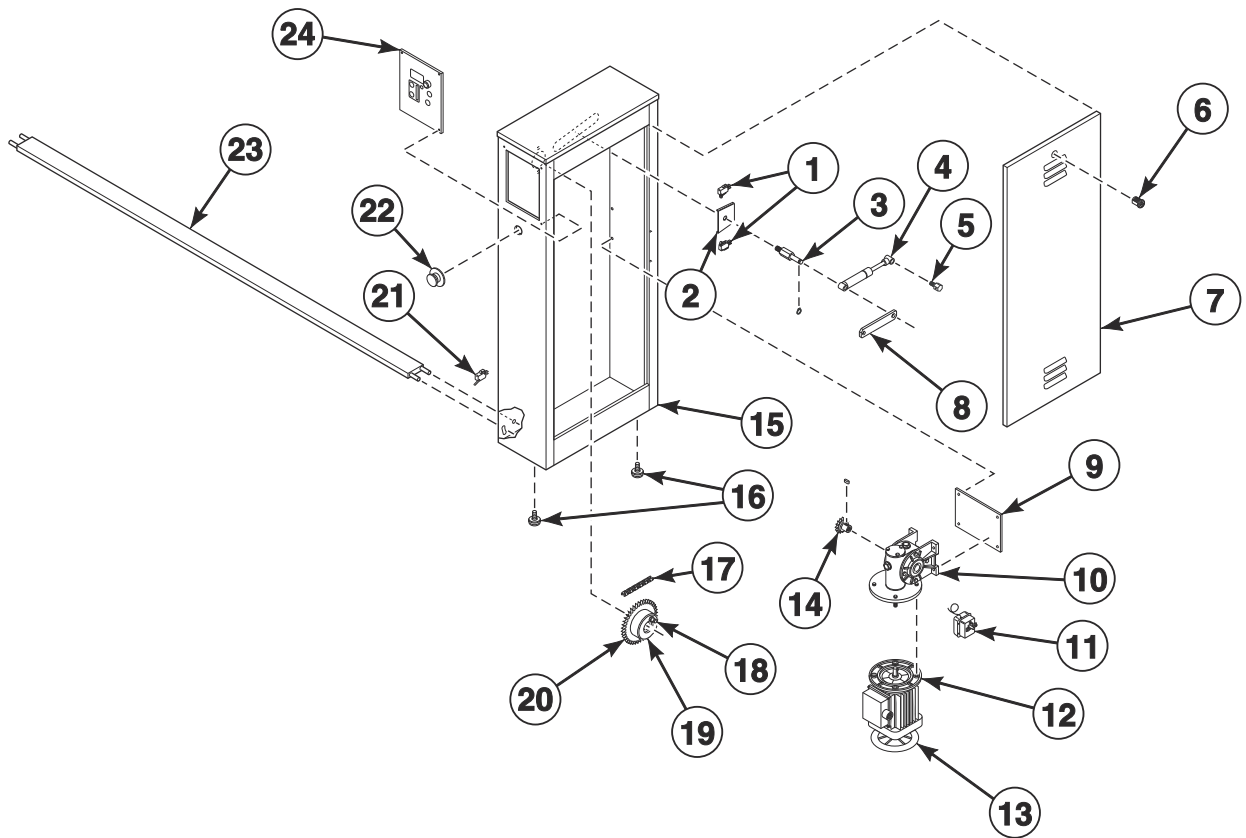
FWF228P_D1086

Tray and Roller Assembly - 1400 Models

REF	PART NO.	DESCRIPTION	COMMENTS
1	N/A	Screw	
2	GM011016	Table Support	Models through 4/19/09
	GM509000074	Table Support	Models starting 4/20/09
3	GMVC19230B-M5	Lock	
4	GM015031	Slide Guide	
5	GM015016SX	Ironing Plate Support	Left
6	GM026003	Finger Guard	Models through 4/19/09
	GM490V90011-03	Finger Guard	Models starting 4/20/09
7	GM026008	Wooden Table	Models through 4/19/09
	GM609000003-05	Wooden Table	Models starting 4/20/09
8	GM047005	Heating Element	
9	GM026011	Clamp	
10	GM026012	Clamp	
11	GM017004	Rear Cover	
12	GMCRO831537AX29	Finger Guard Microswitch	
13	GM026013	Ironing Plate	Models through 4/19/09
	GM490C00007	Ironing Plate	Models starting 4/20/09
14	GM015016DX	Ironing Plate Support	Right
15	GM027034	Support	Models RI1400/25AV and RI1400/25AVL
	GM011039	Support	Models RI1400/25 and RI1400/25F; Models through 4/19/09
	GMSBPFL204	Support	Models RI1400/25 and RI1400/25F; Models starting 4/20/09
16	GM590100003	Slide	
17	GM033003	Roller	Model RI1400/25AV
	GM033016	Roller	Model RI1400/25AVL
	GM026010	Roller	Models RI1400/25 and RI1400/25F
18	GMTENAX140025	Spring Padding	Model RI1400/25AVL
	GMLACC	Steelwool	Models RI1400/25, RI1400/25AV and RI1400/25F
19	GMM140025	Flannel	
20	GMMN140025	Nomex	Model RI1400/25AVL
	GMTN140025	Ironing Cloth	Models RI1400/25, RI1400/25AV and RI1400/25F

N/A = Part no longer available

Frame Assembly - 1000 and 1200 Models

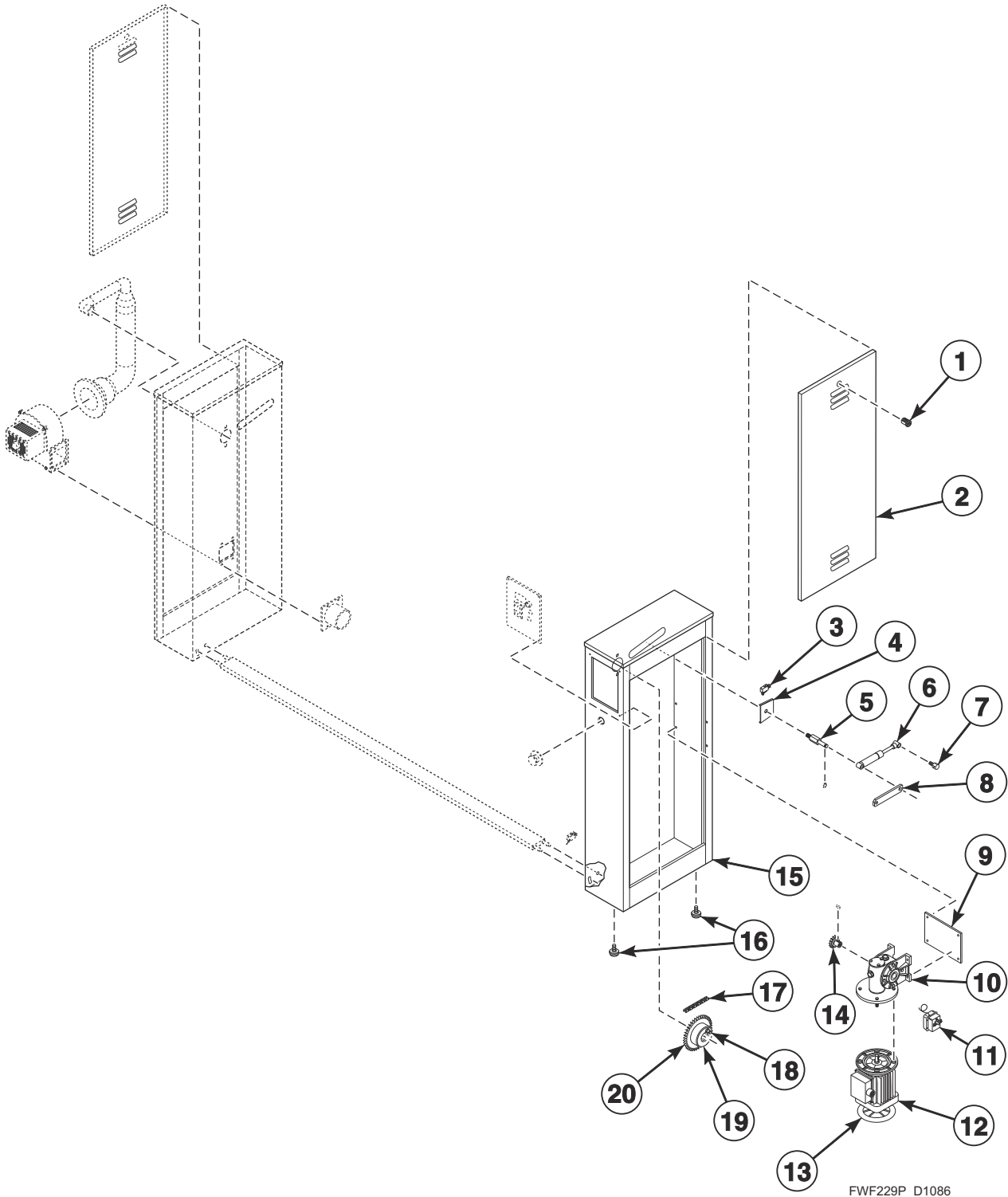


FWF227P_D1086

Frame Assembly - 1000 and 1200 Models

REF	PART NO.	DESCRIPTION	COMMENTS
1	GMCRO831613ER24	Ironing Plate Microswitch	
2	GM015010DX	Microswitch Plate	Right
	GM015010SX	Microswitch Plate	Left
3	GM011019	Pin	
4	GM221017036	Gas Spring	
5	GM011020	Gas Spring Lock	
6	GM33429	Lock	
	GM334291	Key	
7	GM011006	Door	
8	GM011017	Connecting Rod	Models through 4/19/09
	GM409000095	Connecting Rod	Models starting 4/20/09
9	GM011024	Reduction Gear Plate	
10	GMRMI40SPAM1190	Reduction Gear	
11	GM710V-1841	Safety Thermostat	
12	GM25B144PTAS	Roller Motor	
13	GMVD50FP	Emergency Handwheel	
14	GMZ13F	Gear	
15	GM017001	Side Plate	Right
	GM017002	Side Plate	Left
16	GM017PIEREG35	Adjustable Foot	
17	GM026007	Chain	
18	GM011018	Pin	Models through 4/19/09
19	GM011026SX	Shafting Device	
20	GM015023	Shafting Device	Models through 4/19/09
	GM490100010	Shafting Device	Models starting 4/20/09
21	GMCRO831613AR25	Pedal Microswitch	
22	GM480000008	Emergency Stop Button	
23	GM015012ALL	Pedal	Model RI1000/25; Models through 4/19/09
	GM690000044-03	Pedal	Model RI1000/25; Models starting 4/20/09
	GM016003ALL	Pedal	Model RI1200/25; Models through 4/19/09
	GM690000044-04	Pedal	Model RI1200/25; Models starting 4/20/09
24	GM408000001	Keyboard	

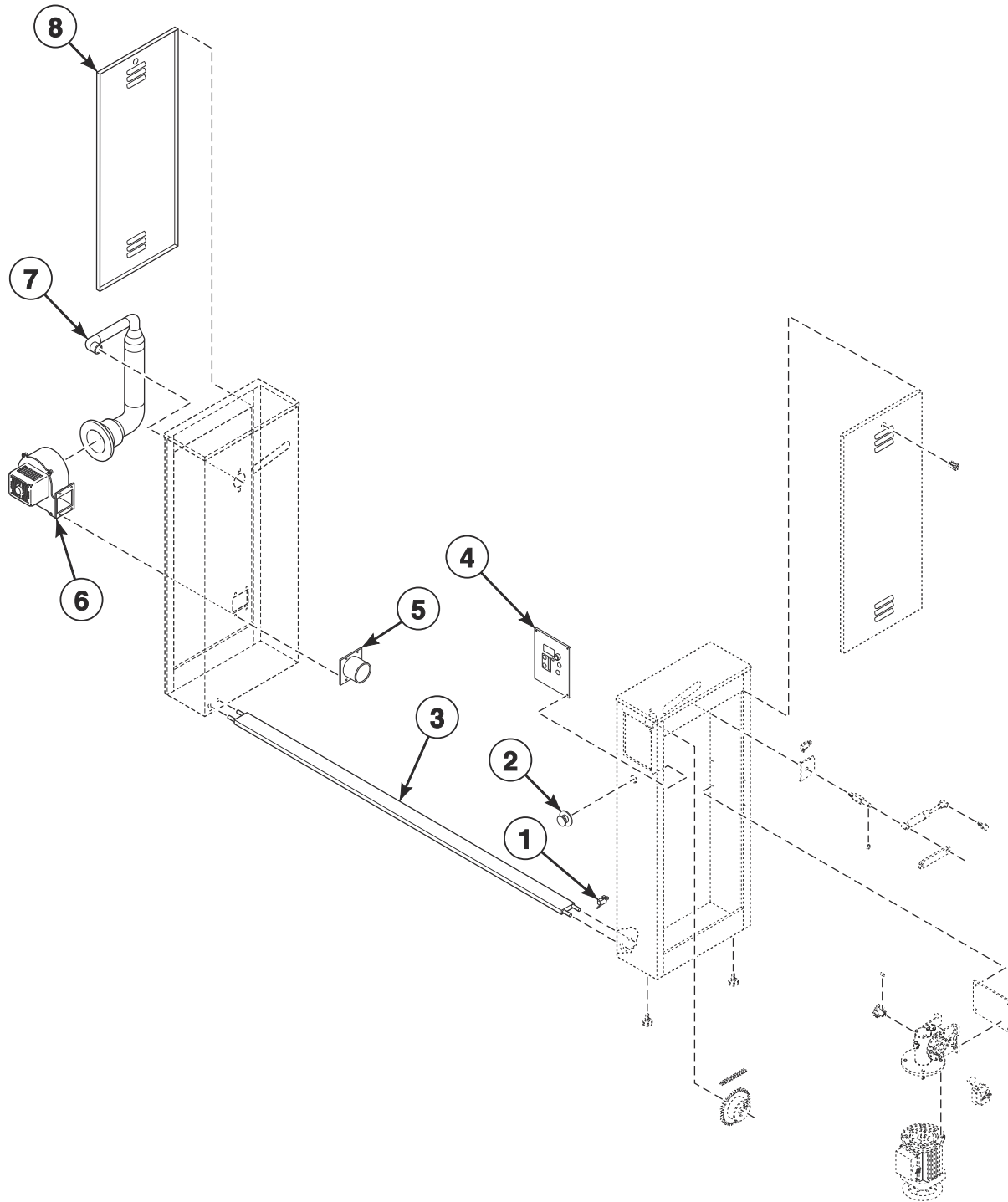
Frame Assembly - 1400 Models (Drawing 1 of 2)



Frame Assembly - 1400 Models (Drawing 1 of 2)

REF	PART NO.	DESCRIPTION	COMMENTS
1	GM33429	Lock	
	GM334291	Key	
2	GM011006	Door	
3	GMCRO831613ER24	Ironing Plate Microswitch	
4	GM015010DX	Microswitch Plate	Right
	GM015010SX	Microswitch Plate	Left
5	GM033013	Pin	Models RI1400/25AV and RI1400/25AVL; Right; Models through 4/19/09
	GM033014	Pin	Models RI1400/25AV and RI1400/25AVL; Left; Models through 4/19/09
	GM011019	Pin	Models RI1400/25AV and RI1400/25AVL starting 4/20/09; Models RI1400/25 and RI1400/25F
6	GM221017036	Gas Spring	
7	GM011020	Gas Spring Lock	
8	GM011017	Connecting Rod	Models through 4/19/09
	GM509Z00131	Connecting Rod	Model RI1400/25AVL; Models starting 4/20/09
	GM409000095	Connecting Rod	Models RI1400/25, RI1400/25AV and RI1400/25F; Models starting 4/20/09
9	GM011024	Reduction Gear Plate	
10	GMRMI40SPAM1190	Reduction Gear	
11	GM710V-1841	Safety Thermostat	
12	GM25B144PTAS	Roller Motor	
13	GMVD50FP	Emergency Handwheel	
14	GMZ13F	Gear	
	GMZ36AF	Gear Pinion	Models RI1400/25AV and RI1400/25AVL; Models through 4/19/09
15	GM033001	Side Plate	Models RI1400/25AV and RI1400/25AVL; Right
	GM017001	Side Plate	Models RI1400/25 and RI1400/25F; Right
	GM033002	Side Plate	Models RI1400/25AV and RI1400/25AVL; Left
	GM017002	Side Plate	Models RI1400/25 and RI1400/25F; Left
16	GM017PIEREG35	Adjustable Foot	
17	GM033019	Chain	Models RI1400/25AV and RI1400/25AVL; Models through 4/19/09
	GM026007	Chain	Models RI1400/25AV and RI1400/25AVL starting 4/20/09; Models RI1400/25 and RI1400/25F
18	GM011018	Pin	Models through 4/19/09
19	GM033004SX	Shafting Device	Models RI1400/25AV and RI1400/25AVL; Left; Models through 4/19/09
	GM011026SX	Shafting Device	Models RI1400/25 and RI1400/25F; Left; Models through 4/19/09
	GM590000056	Shafting Device	Models RI1400/25AV and RI1400/25AVL; Left; Models starting 4/20/09
	GM490100011	Shafting Device	Models RI1400/25 and RI1400/25F; Left; Models starting 4/20/09
20	GM033004DX	Shafting Device	Models RI1400/25AV and RI1400/25AVL; Right; Models through 4/19/09
	GM015023	Shafting Device	Models RI1400/25 and RI1400/25F; Right; Models through 4/19/09
	GM590000057	Shafting Device	Models RI1400/25AV and RI1400/25AVL; Right; Models starting 4/20/09
	GM490100010	Shafting Device	Models RI1400/25 and RI1400/25F; Right; Models starting 4/20/09

Frame Assembly - 1400 Models (Drawing 2 of 2)



FWF229PA_D1086

Frame Assembly - 1400 Models (Drawing 2 of 2)

REF	PART NO.	DESCRIPTION	COMMENTS
1	GMCRO831613AR25	Pedal Microswitch	
2	GM480000008	Emergency Stop Button	
3	GM026002ALL	Pedal	Models through 4/19/09
	GM690000044-05	Pedal	Models starting 4/20/09
4	GM408000001	Keyboard	Model RI1400/25
	GM408000002	Keyboard	Models RI1400/25AV, RI1400/25AVL and RI1400/25F
5	GM033010	Exhaust System Union	Models RI1400/25AV and RI1400/25AVL
6	GM033055	Exhaust System	Models RI1400/25AV and RI1400/25AVL
7	GM033011	Fan Manifold	Models RI1400/25AV and RI1400/25AVL
8	GM011006	Door	

Parts Index

A

Adjustable Foot
GM017PIEREG35..... 11, 13

C

Chain
GM026007 11, 13
GM033019 13

Clamp
GM026011 9
GM026012 7, 9

Connecting Rod
GM011017 11, 13
GM409000095 11, 13
GM509Z00131 13

D

Door
GM011006 11, 13, 15

E

Emergency Handwheel
GMVD50FP 11, 13

Emergency Stop Button
GM480000008 11, 15

Exhaust System
GM033055 15

Exhaust System Union
GM033010 15

F

Fan Manifold
GM033011 15

Finger Guard
GM015013 7
GM016004 7
GM026003 9
GM490V90011-03..... 9

Finger Guard Microswitch
GMCRO831537AX29..... 7, 9

Flannel
GMM100025 7
GMM120025 7
GMM140025 9

G

Gas Spring
GM221017036 11, 13

Gas Spring Lock
GM011020..... 11, 13

Gear
GMZ13F 11, 13

Gear Pinion
GMZ36AF 13

H

Heating Element
GM047A009 7
GM047A010 7
GM047005..... 9

Heating Element Lock
GM015014..... 7
GM016006..... 7

I

Ironing Cloth
GMTN100025 7
GMTN120025 7
GMTN140025 9

Ironing Plate
GM015015 7
GM016007 7
GM026013 9
GM490C00007 9

Ironing Plate Microswitch
GMCRO831613ER24..... 11, 13

Ironing Plate Support
GM015016DX 7, 9
GM015016SX 7, 9

K

Key
GM334291 11, 13

Keyboard
GM408000001 11, 15
GM408000002 15

L

Lock
GMVC19230B-M5 7, 9
GM33429 11, 13

M

Microswitch Plate
GM015010DX 11, 13
GM015010SX 11, 13

N/A items do not appear in index.

N

Nomex	
GMMN140025	9

P

Pedal	
GM015012ALL	11
GM016003ALL	11
GM026002ALL	15
GM690000044-03	11
GM690000044-04	11
GM690000044-05	15
Pedal Microswitch	
GMCRO831613AR25	11, 15
Pin	
GM011018	11, 13
GM011019	11, 13
GM033013	13
GM033014	13
Pre-Programmed Logic Board	
GM480000028	5
GM480000029	5
GM508000005	5

R

Rear Cover	
GM017004	9
GM028001	7
GM029001	7
Reduction Gear	
GMRMI40SPAM1190	11, 13
Reduction Gear Plate	
GM011024	11, 13
Relay Printboard	
GM508000006	5
GM580000022	5
Roller	
GM015018	7
GM016010	7
GM026010	9
GM033003	9
GM033016	9
Roller Motor	
GM25B144PTAS	11, 13

S

Safety Thermostat	
GM710V-1841	11, 13
Shafting Device	
GM011026SX	11, 13
GM015023	11, 13
GM033004DX	13
GM033004SX	13
GM490100010	11, 13
GM490100011	13
GM590000056	13
GM590000057	13

Side Plate	
GM017001	11, 13
GM017002	11, 13
GM033001	13
GM033002	13

Slide	
GM590100001	7
GM590100002	7
GM590100003	9

Slide Guide	
GM015031	7, 9

Spring Padding	
GMTENAX140025	9

Steelwool	
GMLACC	7, 9

Support	
GMSBPFL204	7, 9
GM011039	7, 9
GM027034	9

T

Table Support	
GM011016	7, 9
GM509000074	9

W

Wooden Table	
GM015030	7
GM016009	7
GM026008	9
GM609000003-05	9

N/A items do not appear in index.