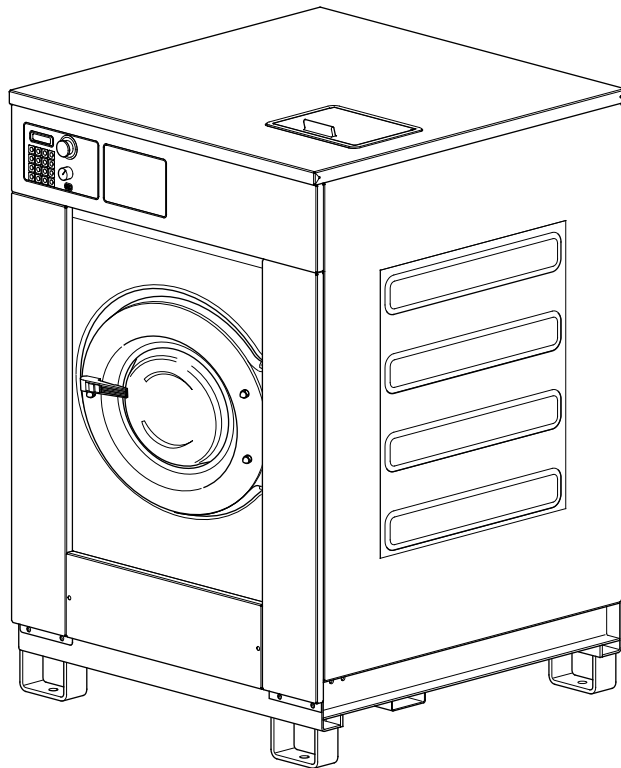


Washer-Extractor

Cabinet Freestanding
Refer to Page 3 for Model Numbers



CFD8C_9001007

Table of Contents

Title	Page
Parts Ordering Information.....	2
Nameplate Location.....	2
Model Identification.....	3
Cabinet Freestanding Washer-Extractor Product Overview.....	4
Frame.....	6
Shock and Spring Assembly.....	8
Shell and Front Panel (Drawing 1 of 2).....	10
Shell and Front Panel (Drawing 2 of 2).....	12
Bearing Assembly (Drawing 1 of 3) - Models Through 1/30/11.....	14
Bearing Assembly (Drawing 2 of 3) - Models Through 1/30/11.....	16
Bearing Assembly (Drawing 3 of 3) - Models Through 1/30/11.....	18
Bearing Assembly - Models Starting 1/31/11.....	20
Basket, Pulley and Belt - Models Through 1/30/11.....	22
Basket, Pulley and Belt - Models Starting 1/31/11.....	24
Motor.....	26
Single Drain Assembly.....	28
Dual Drain Assembly.....	30
Door Lock.....	32
Door (Drawing 1 of 2).....	34
Door (Drawing 2 of 2).....	36
Control Panel.....	38
Control Module.....	40
Top, Left Side and Front Panels.....	42
Back and Right Side Panels.....	44
Upper Back Panel (Drawing 1 of 4).....	46
Upper Back Panel (Drawing 2 of 4).....	48
Upper Back Panel (Drawing 3 of 4).....	50
Upper Back Panel (Drawing 4 of 4).....	52
Supply Dispenser - Models Through 4/26/2009.....	54
Supply Dispenser - Models Starting 4/27/2009.....	56
Plumbing (Drawing 1 of 2).....	58
Plumbing (Drawing 2 of 2).....	60
Balance Switch.....	62
Electric Heating Option.....	64
Steam Heating Option.....	66
Parts Index.....	69

© Copyright 2014, Alliance Laundry Systems LLC

All rights reserved. No part of the contents of this book may be reproduced or transmitted in any form or by any means without the expressed written consent of the publisher.

Parts Ordering Information

If literature or replacement parts are required, contact the source from whom the machine was purchased or contact Alliance Laundry Systems at (920) 748-3950 for the name and address of the nearest authorized parts distributor.

For technical assistance, call either of the numbers listed below:

(920) 748-3121 Ripon, Wisconsin

+32 56 41 20 54 Wevelgem, Belgium

Nameplate Location

When calling or writing about your product, be sure to mention model and serial numbers. Model and serial numbers are located on nameplate(s).

Model Identification

Information in this manual is applicable to these washer-extractor models:

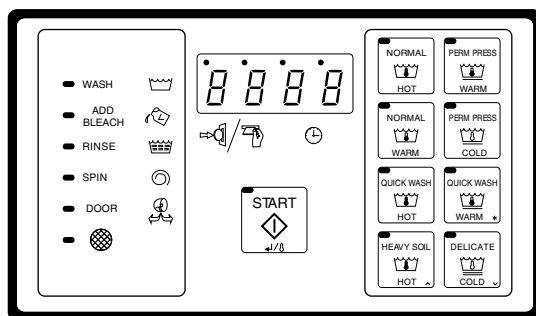
HX100PVNU6
HX100PVNU7
HX100PVQU6
HX100PVQU7
HX100PVPU7
HX100_WE-8

SX100PVNU6
SX100PVNU7
SX100PVQU6
SX100PVQU7
SX100PVPU7
SX100_WE-8

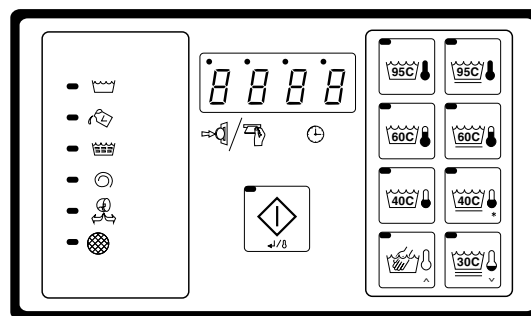
UX100PVNU6
UX100PVNU7
UX100PVPU6
UX100PVPU7
UX100PVQU6
UX100PVQU7
UX100_WE-8

Cabinet Freestanding Washer-Extractor Product Overview

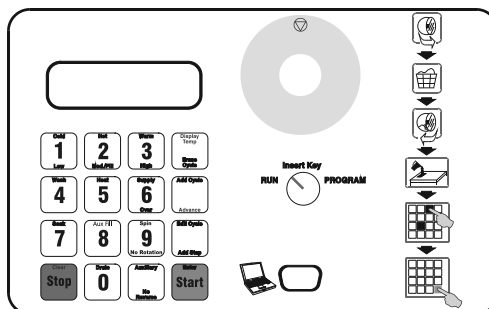
Model No. *X55PVXM60001
 Serial No. 0000000000
 Voltage 200-240/50-60/1-3 Amps 12
 Required Circuit Breaker Amps 15
 Hz 50-60 Wire 2/3+PE Phase 1/3
 Max. Load 55 LB 25 KG Max. Speed 1000 RPM
 Elec. Heating KW Steam Press. PSI BAR



B Computer (Domestic)



B Computer (International)



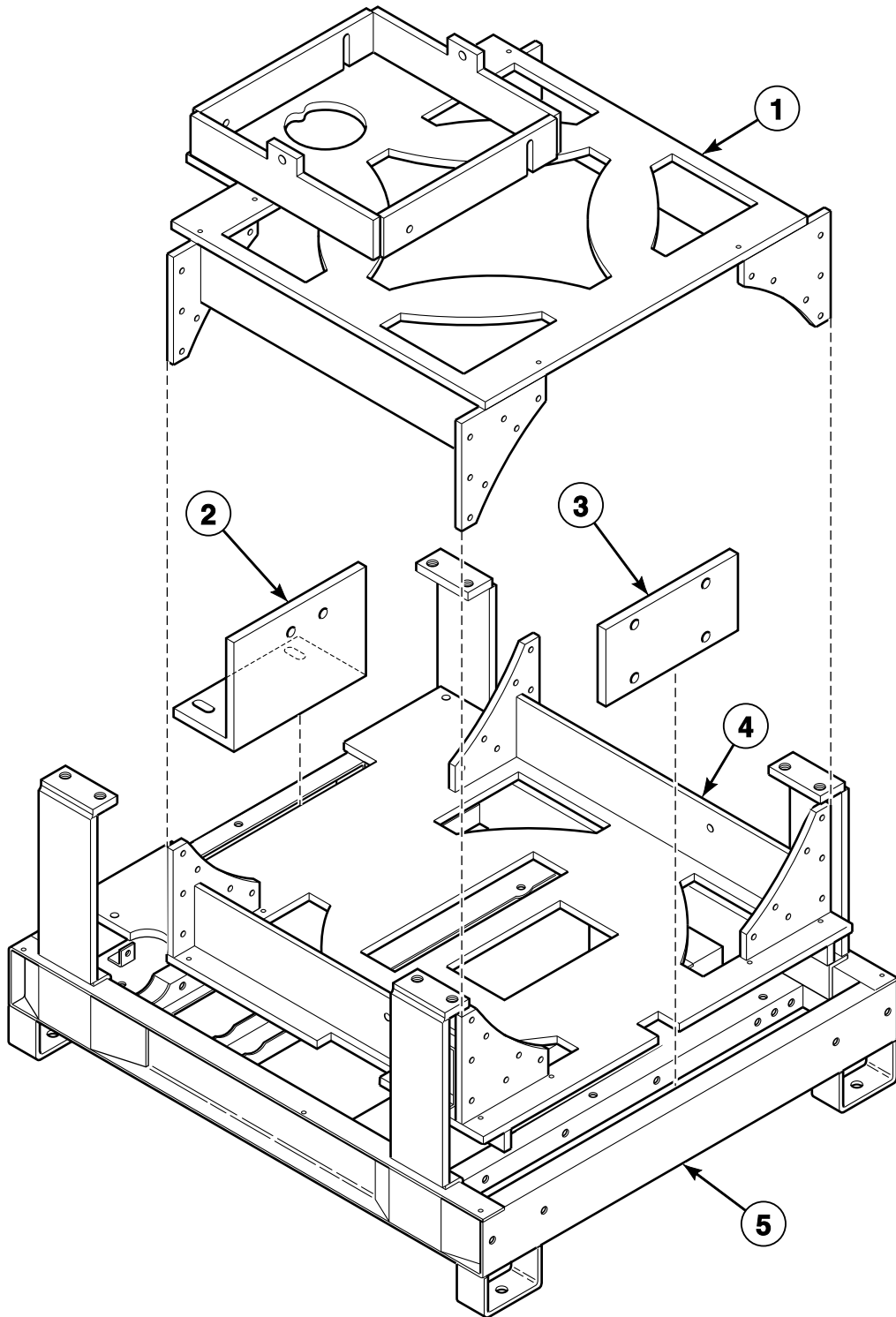
WE-8 Micro

CFD266P_9001007

Cabinet Freestanding Washer-Extractor Product Overview

REF	PART NO.	DESCRIPTION	COMMENTS
1	-	Product Family	HX NX SX UX
2	-	Capacity	18 pounds 25 pounds 30 pounds 35 pounds 55 pounds 75 pounds 100 pounds 135 pounds 165 pounds
3	-	Control	B (B Computer) P (WE-8 Micro)
4	-	Speed	V (Variable)
5	-	Voltage	N; 440-480/50-60/3/3 P; 380-415/50-60/3/3 Q; 200-240/50-60/3/3 X; 200-240/50-60/1/3
6	-	OEM	A F M U
7	-	Design	6 and 7

Frame

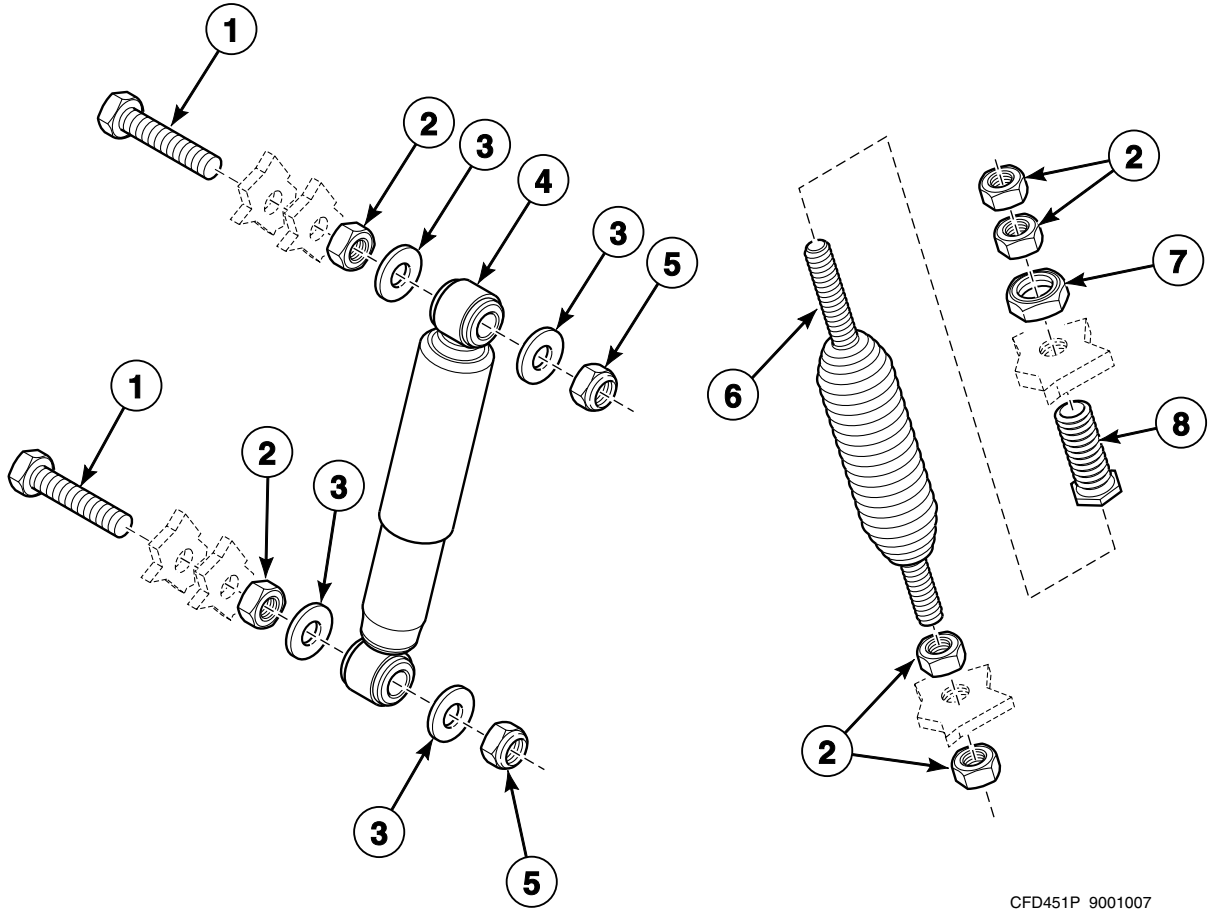


CFD112P_9001007

Frame

REF	PART NO.	DESCRIPTION	COMMENTS
1	9001652	Upper Support	
2	9001774	Rear Shipping Brace	
3	9001773	Front Shipping Brace	
4	9001649	Lower Support	
5	9001647	Frame	

Shock and Spring Assembly



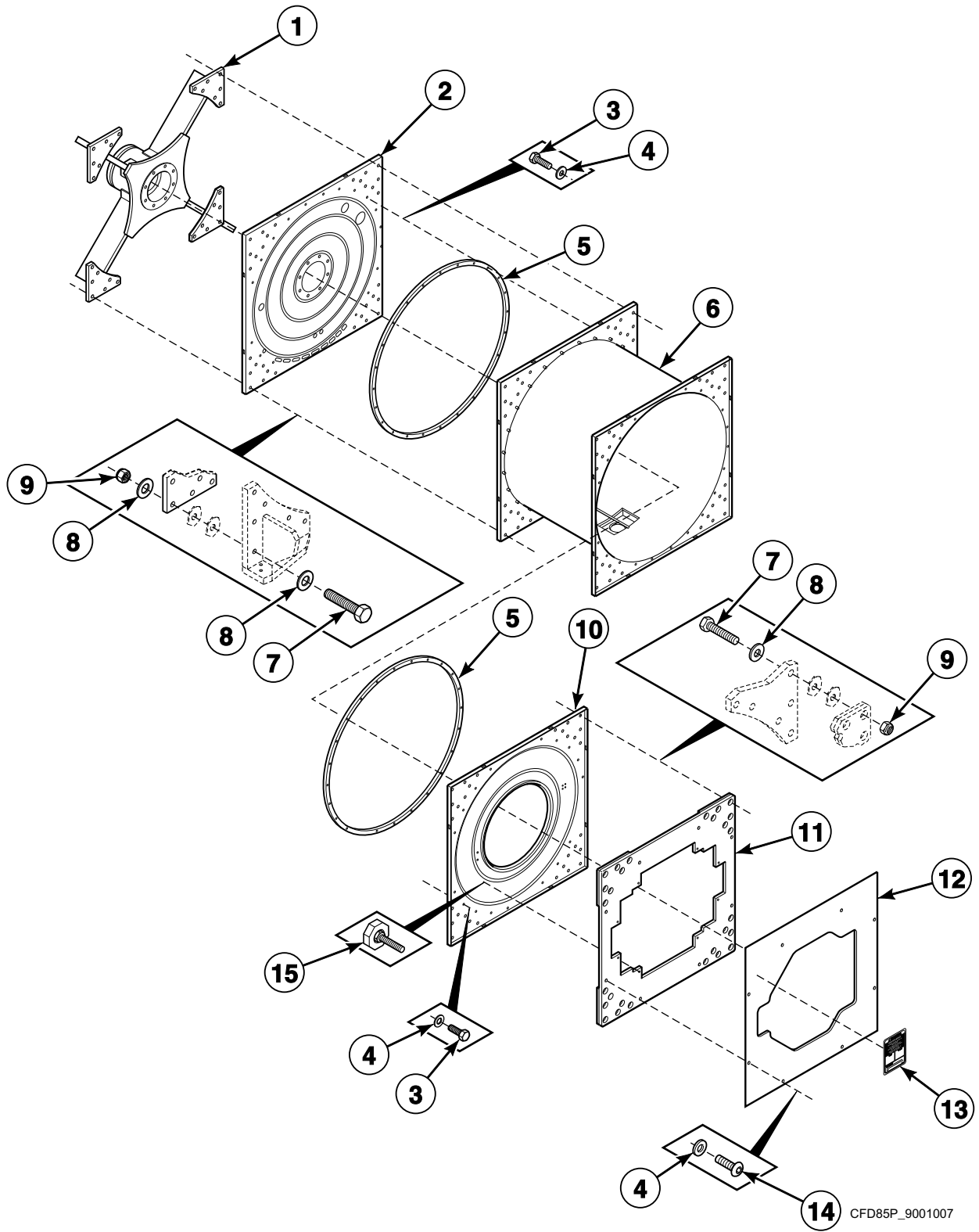
CFD451P_9001007

Shock and Spring Assembly

REF	PART NO.	DESCRIPTION	COMMENTS
1	9001306	Bolt	
2	9001255	Nut	
3	9001208	Washer	
4	9001617	Shock Absorber	
5	9001266	Nut	
6	B12456301	Suspension Spring	
7	9001256	Nut	
8	9001557	Bolt	

Shell and Front Panel (Drawing 1 of 2)

Models HX100PVNU6, HX100PVQU6, SX100PVNU6, SX100PVQU6, UX100PVNU6, UX100PVPU6 and UX100PVQU6



CFD85P_9001007

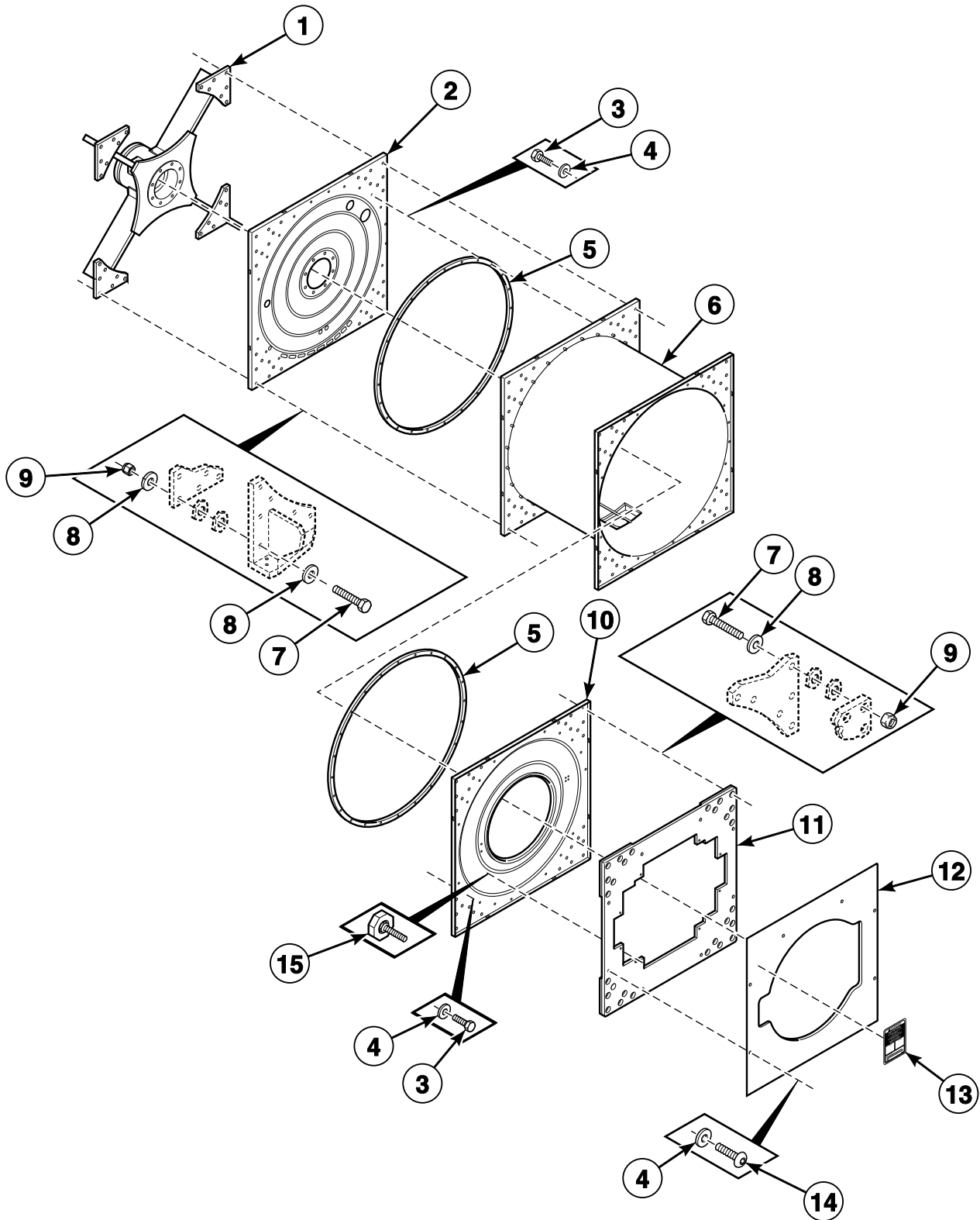
Shell and Front Panel (Drawing 1 of 2)

REF	PART NO.	DESCRIPTION	COMMENTS
1	9001198	Bearing Housing Assembly	
	N/A	Bearing Housing	
2	9001182	Tub Back Plate	Standard and steam heat models
	9001180	Tub Back Plate	Electric and steam heat models
3	9001272	Bolt	
4	9001233	Washer	
5	223/00168/00	Tub Gasket	
6	9001184	Tub	Standard and steam heat models
	9001183	Tub	Electric and steam heat models
7	9001314	Bolt	
8	9001208	Washer	
9	9001266	Nut	
10	9001199	Tub Front	
11	9001651	Counterweight	
12	9001207	Door Front Panel	
13	9001742	Door Handle Decal	
14	9001675	Screw	
15	9001621	Leveling Leg	

N/A = Part no longer available

Shell and Front Panel (Drawing 2 of 2)

Models HX100PVNU7, HX100PVQU7, HX100PVPU7, HX100_WE-8, SX100PVNU7,
SX100PVQU7, SX100PVPU7, SX100_WE-8, UX100PVNU7, UX100PVPU7,
UX100PVQU7 and UX100_WE-8



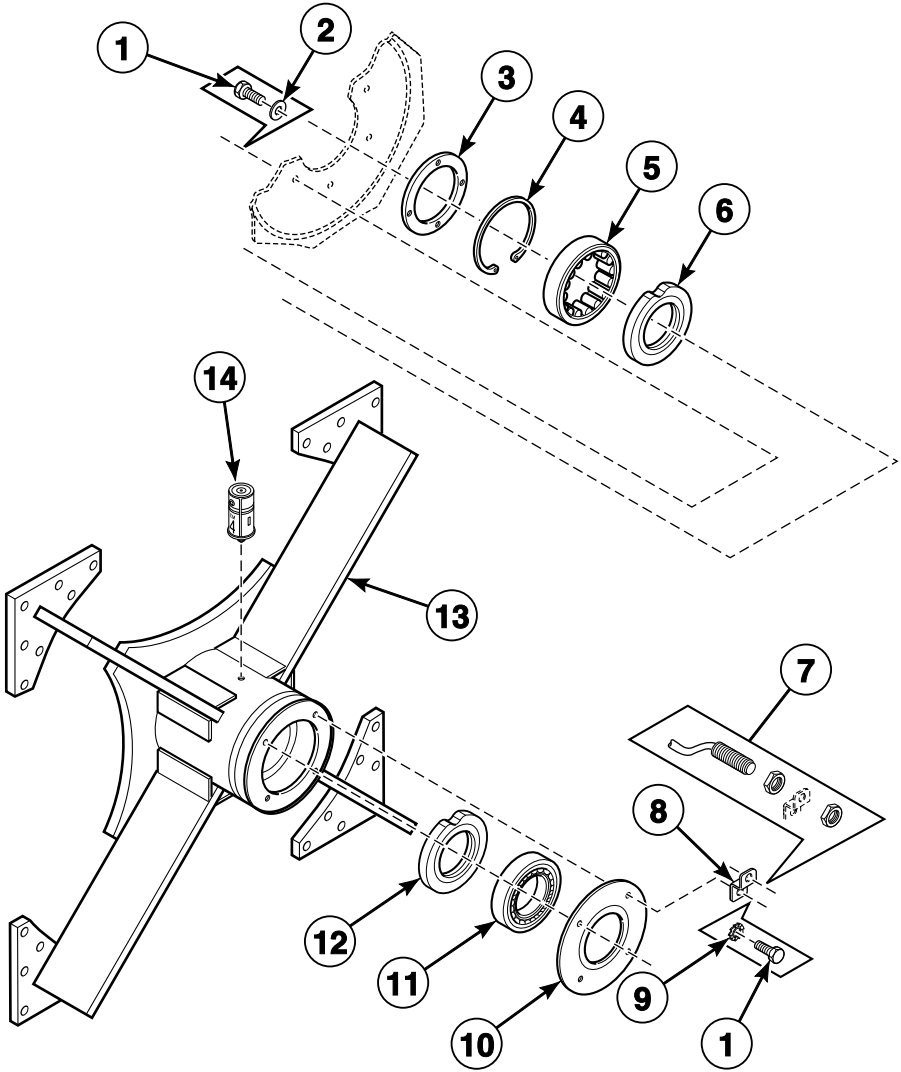
CFD214P_9001007

Shell and Front Panel (Drawing 2 of 2)

REF	PART NO.	DESCRIPTION	COMMENTS
1	9001198	Bearing Housing Assembly	
	N/A	Bearing Housing	
2	9001182	Tub Back Plate	Standard and steam heat models
	9001180	Tub Back Plate	Electric and steam heat models
3	9001272	Bolt	
4	9001233	Washer	
5	223/00168/00	Tub Gasket	
6	9001184	Tub	Standard and steam heat models
	9001183	Tub	Electric and steam heat models
7	9001314	Bolt	
8	9001208	Washer	
9	9001266	Nut	
10	9001199	Tub Front	
11	9001651	Counterweight	
12	153/10113/00	Door Front Panel	
13	9001742	Door Handle Decal	
14	9001675	Screw	
15	9001621	Leveling Leg	

N/A = Part no longer available

Bearing Assembly (Drawing 1 of 3) - Models Through 1/30/11



CFD54P_9001007

Bearing Assembly (Drawing 1 of 3) - Models Through 1/30/11

REF	PART NO.	DESCRIPTION	COMMENTS
	245/00054/00	Bearing Replacement Tool Kit	
	894P3	Bearing Replacement Kit	Includes items 2, 5, 11 and 14, 9001528 Tub Gasket, 9001639 V-Ring Seal (VL220), 9001640 V-Ring Seal (VL200), 9001641 V-Ring (VL170) and 9001642 V-Ring Seal (VA100)
1	9001272	Bolt	
2	201/00202/00	Washer	
3	9001767	Bearing Housing Cover	
4	9001645	Retaining Ring	
5	253/00155/00	Roller Bearing	
6	9001654	Bearing Spacer	
7	210/00075/00	Speed Detector	
8	153/00041/01	Speed Sensor Bracket	Models through 10/29/06
	153/00041/11	Speed Sensor Bracket	Models starting 10/30/06
9	9001239	Washer	
10	9001175	Bearing Cover Plate	
11	253/00156/00	Roller Bearing	
12	B12360807	Bearing Spacer	
13	9001198	Bearing Housing Assembly	
	N/A	Bearing Housing	
14	212/00002/00	Lubricator	FAG manufactured bearings

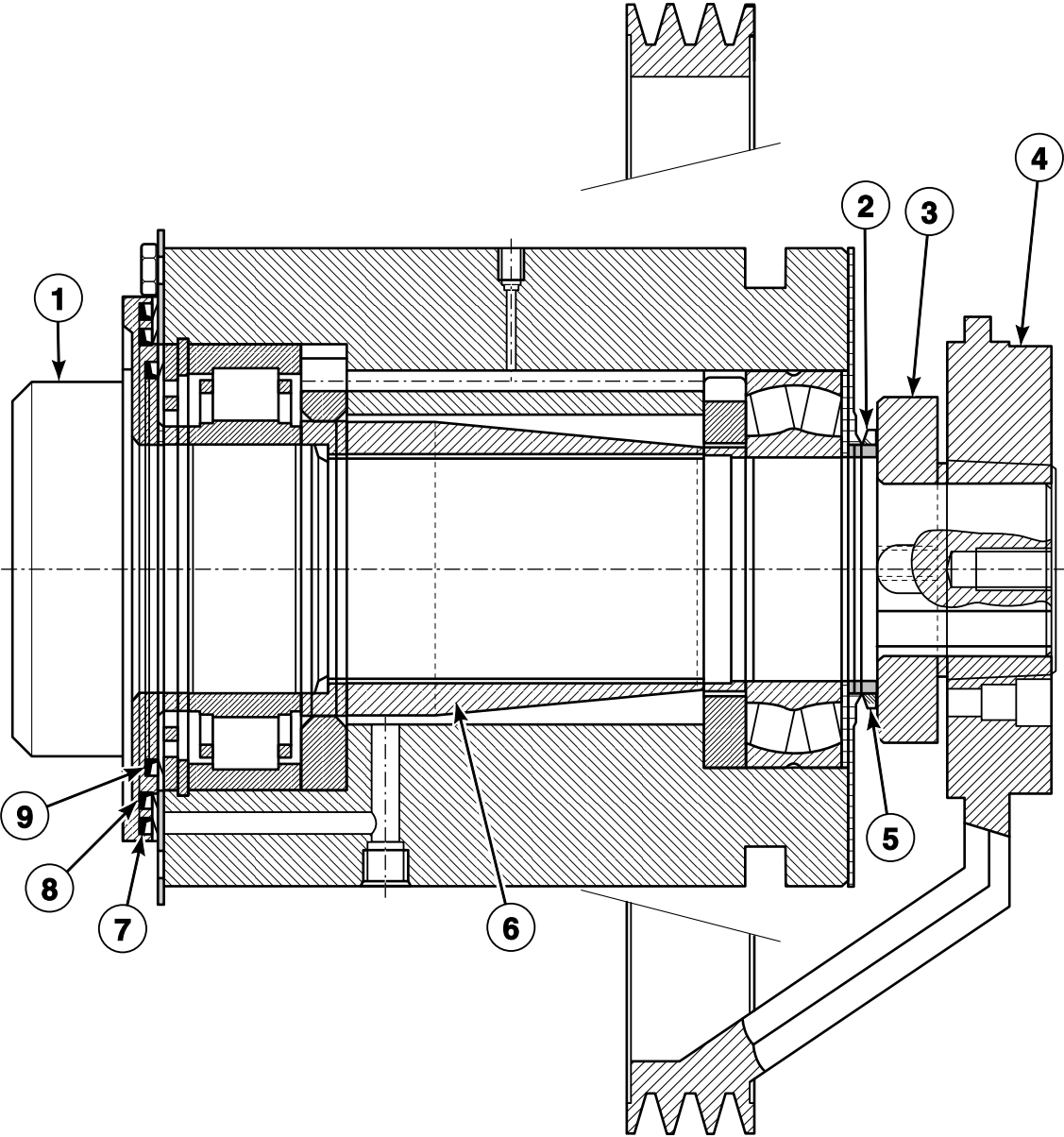
N/A = Part no longer available

Bearing Assembly (Drawing 2 of 3) - Models Through 1/30/11

REF	PART NO.	DESCRIPTION	COMMENTS
1	9001272	Bolt	
2	201/00202/00	Washer	
3	9001767	Bearing Housing Cover	
4	9001645	Retaining Ring	
5	N/A	Seal	
6	9001175	Bearing Cover Plate	
7	253/00156/00	Roller Bearing	
8	N/A	Bearing Housing	
9	N/A	Seal	
10	253/00155/00	Roller Bearing	

N/A = Part no longer available

Bearing Assembly (Drawing 3 of 3) - Models Through 1/30/11

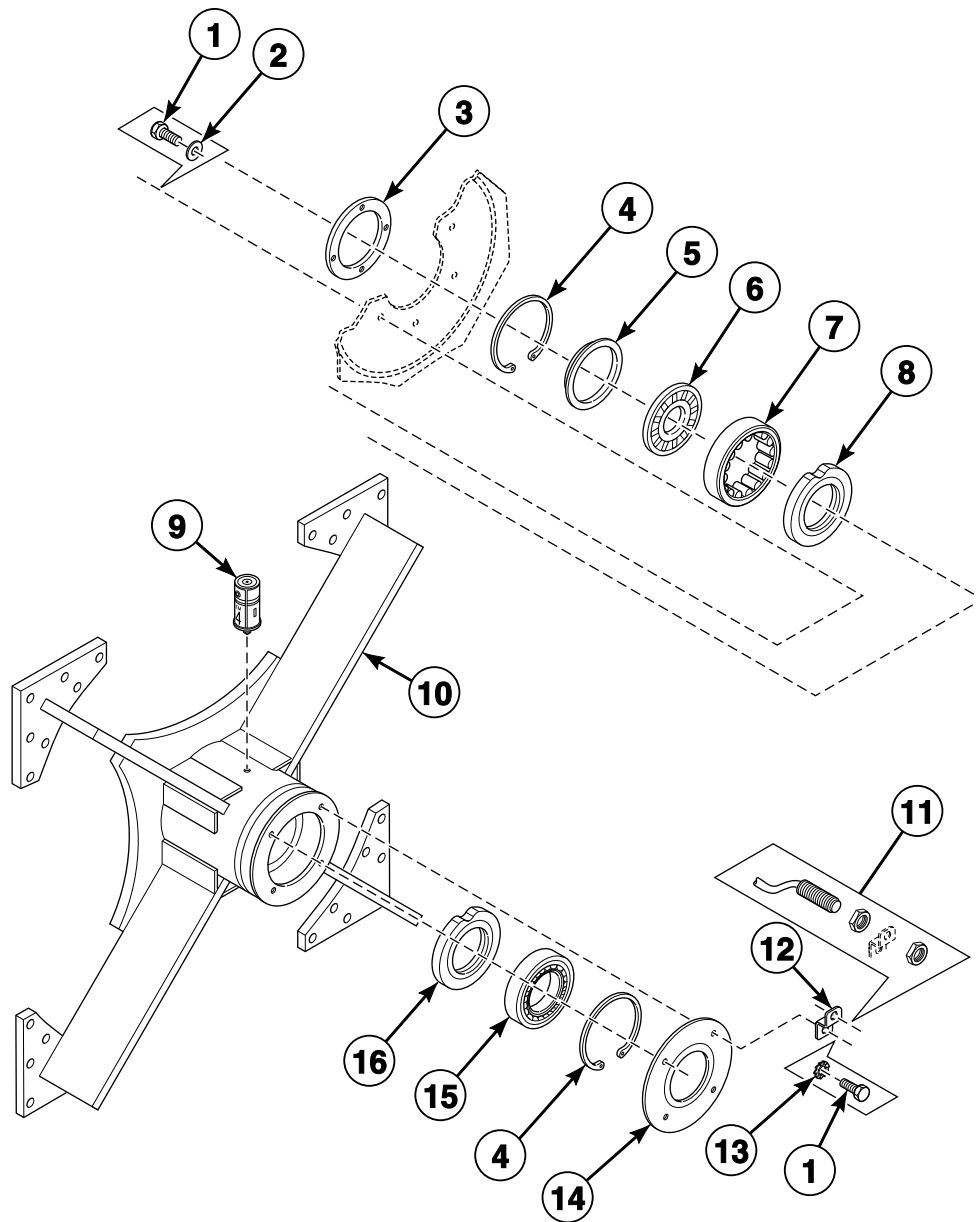


CFD63P_9001007

Bearing Assembly (Drawing 3 of 3) - Models Through 1/30/11

REF	PART NO.	DESCRIPTION	COMMENTS
1	B12394201	Cylinder and Trunnion Assembly	
2	253/00154/00	V-Ring Seal	Loctite 480 required for installation
3	9001629	Pulley	
4	9001629	Pulley	Models before Serial No. 10110440133
	253/00078/00	Pulley	Models starting Serial No. 10110440133
5	9001633	Bearing Cover Plate Bushing	
6	9001634	Conical Spacer	
7	9001639	V-Ring Seal	VL220; Loctite 480 required for installation
8	9001640	V-Ring Seal	VL200; Loctite 480 required for installation
9	9001641	V-Ring Seal	VL170; Loctite 480 required for installation

Bearing Assembly - Models Starting 1/31/11

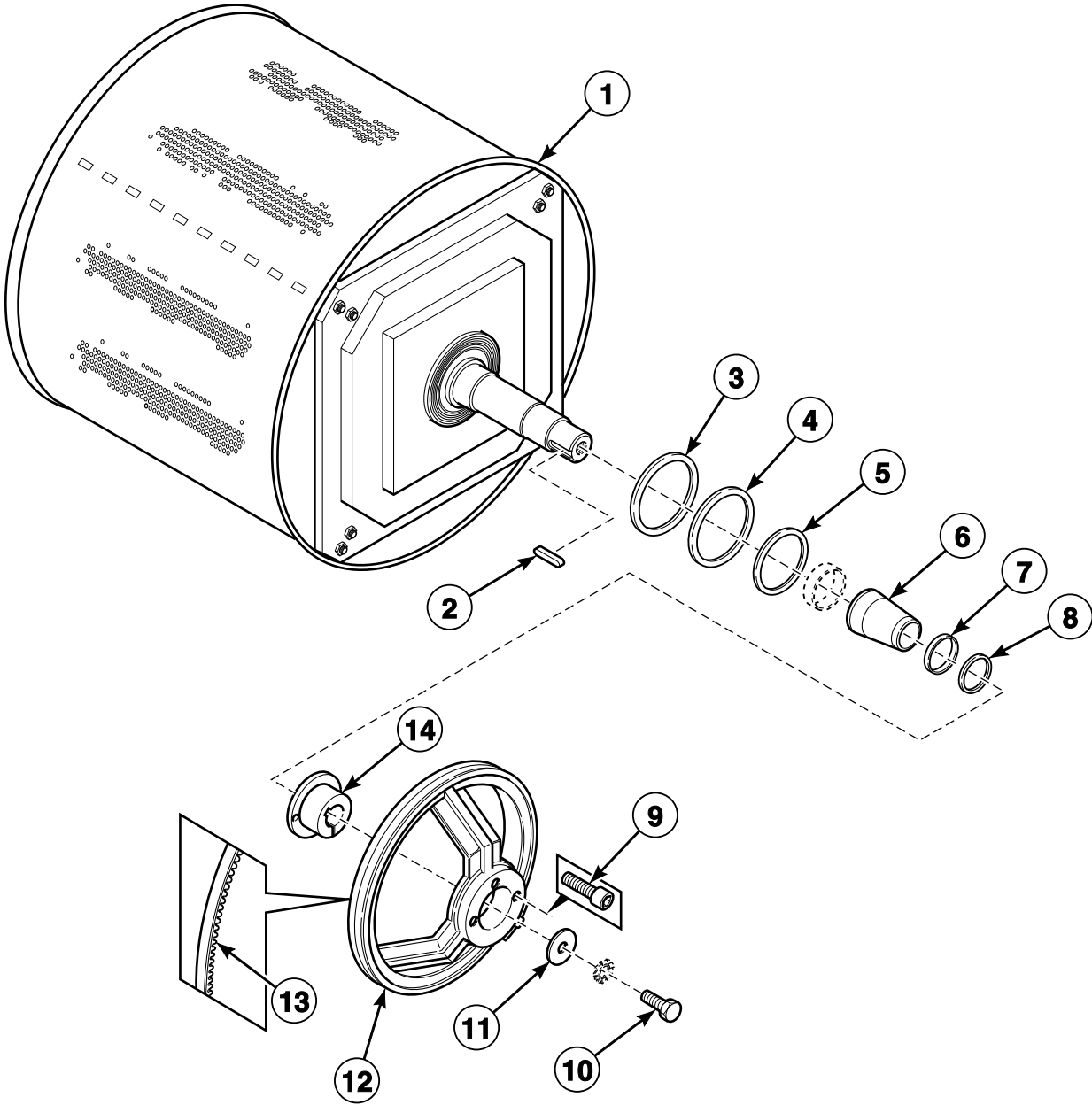


CFD780K_9001007

Bearing Assembly - Models Starting 1/31/11

REF	PART NO.	DESCRIPTION	COMMENTS
	245/00054/00	Bearing Replacement Tool Kit	
	3885P	Bearing Kit	Includes items 2, 3, 5-7, 9, 15, B12378901 Seal (VL200), B12378801 Seal (VL180), 253/00154/00 Seal (VA100), 204/00113/00 Nut and 223/00168/00 Tub Gasket
1	9001272	Bolt	
2	201/00202/00	Washer	
3	153/00121/00	Seal Wear Plate	
4	9001645	Retaining Ring	
5	253/00131/00	Grease Ring Holder	
6	253/00182/00	Lip Seal	
7	253/00155/00	Roller Bearing	
8	9001654	Bearing Spacer	
9	212/00002/00	Lubricator	FAG manufactured bearings
10	9001198	Bearing Housing Assembly	
11	210/00075/00	Speed Detector	
12	153/00041/01	Speed Sensor Bracket	Models through 10/29/06
	153/00041/11	Speed Sensor Bracket	Models starting 10/30/06
13	9001239	Washer	
14	9001175	Bearing Cover Plate	
15	253/00156/00	Roller Bearing	
16	B12360807	Bearing Spacer	

Basket, Pulley and Belt - Models Through 1/30/11

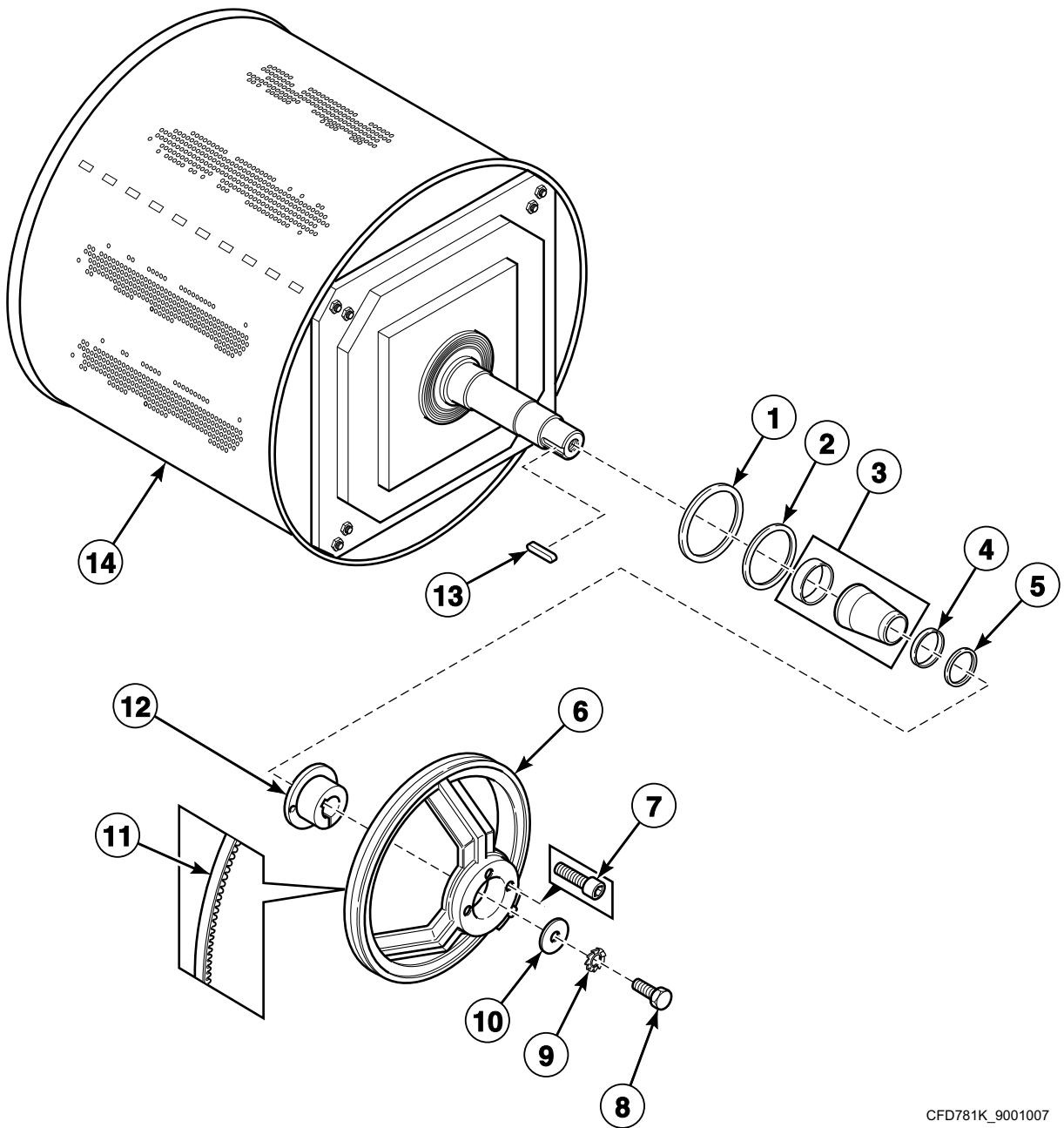


CFD55P_9001007

Basket, Pulley and Belt - Models Through 1/30/11

REF	PART NO.	DESCRIPTION	COMMENTS
1	B12472401	Basket	
	B12543301	Basket Kit	For replacement of 9001169 Cylinder and Trunnion Assembly; Includes B12472401 Basket and 3885P Bearing Kit
2	9001631	Key	
3	9001639	V-Ring Seal	VL220; Loctite 480 required for installation
4	9001640	V-Ring Seal	VL200; Loctite 480 required for installation
5	9001641	V-Ring Seal	VL170; Loctite 480 required for installation
6	9001634	Conical Spacer	
7	9001633	Bearing Cover Plate Bushing	
8	253/00154/00	V-Ring Seal	VA100; Loctite 480 required for installation
9	9001300	Screw	
10	9001319	Bolt	
11	9001224	Washer	
12	9001629	Pulley	Models before Serial No. 10110440133; Includes 9001635 Bushing
	253/00078/00	Pulley	Models starting Serial No. 10110440133
13	9001638	V-Belt	Models before Serial No. 10110440133; 3 used
	226/00155/00	Belt	Models starting Serial No. 10110440133
14	9001635	Bushing	Not available separately; Included with 9001629 Pulley

Basket, Pulley and Belt - Models Starting 1/31/11

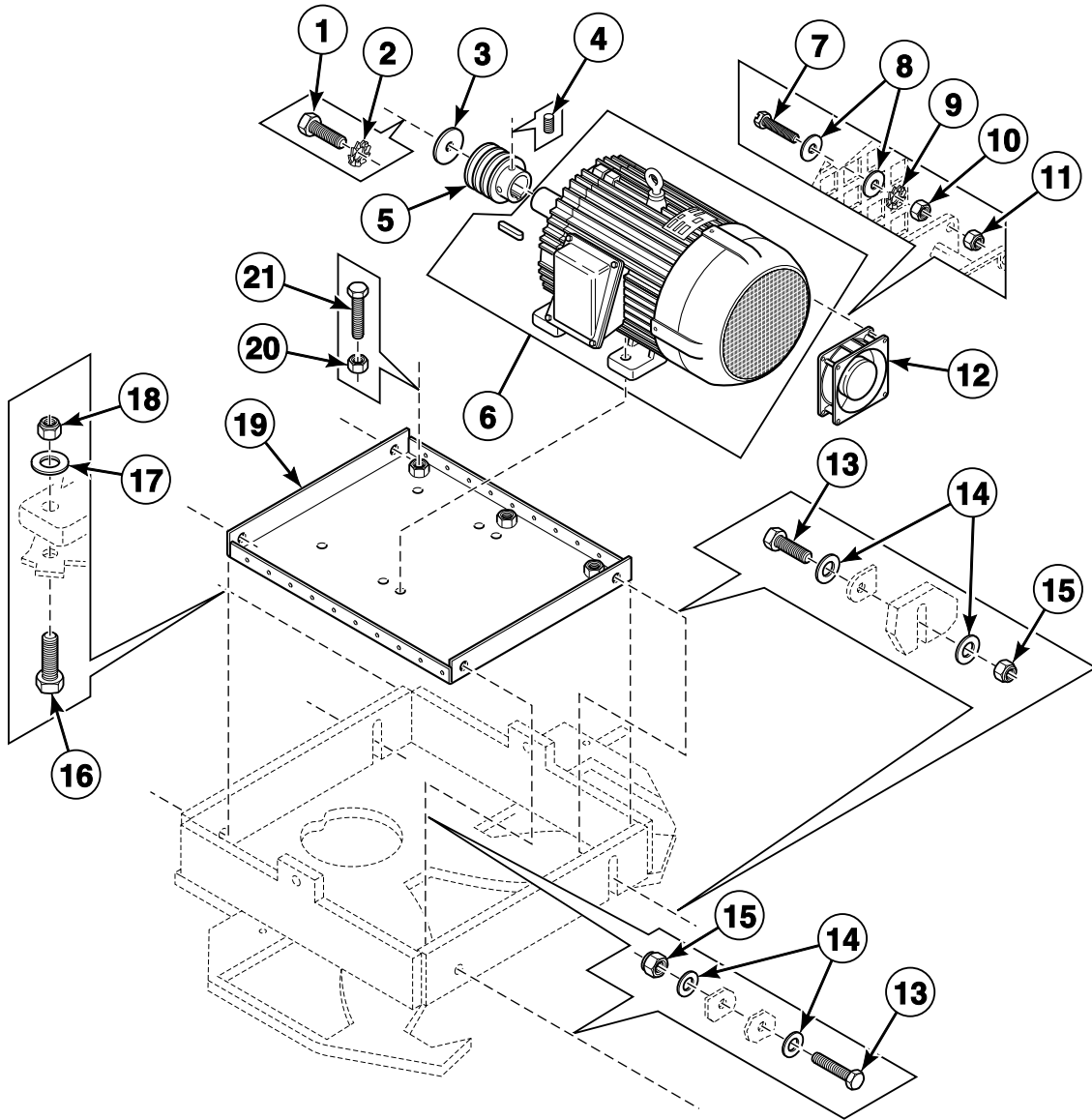


CFD781K_9001007

Basket, Pulley and Belt - Models Starting 1/31/11

REF	PART NO.	DESCRIPTION	COMMENTS
1	B12378901	Seal	VL200
2	B12378801	Seal	VL180
3	9001634	Conical Spacer	
4	9001633	Bearing Cover Plate Bushing	
5	253/00154/00	V-Ring Seal	VA100; Loctite 480 required for installation
6	9001629	Pulley	Models before Serial No. 10110440133; Includes 9001635 Bushing
	253/00078/00	Pulley	Models starting Serial No. 10110440133
7	9001300	Screw	
8	9001319	Bolt	
9	203/00016/00	Washer	
10	9001224	Washer	
11	9001638	V-Belt	Models before Serial No. 10110440133; 3 used
	226/00155/00	Belt	Models starting Serial No. 10110440133
12	9001635	Bushing	Not available separately; Included with 9001629 Pulley
13	9001631	Key	
14	B12472401	Basket	

Motor

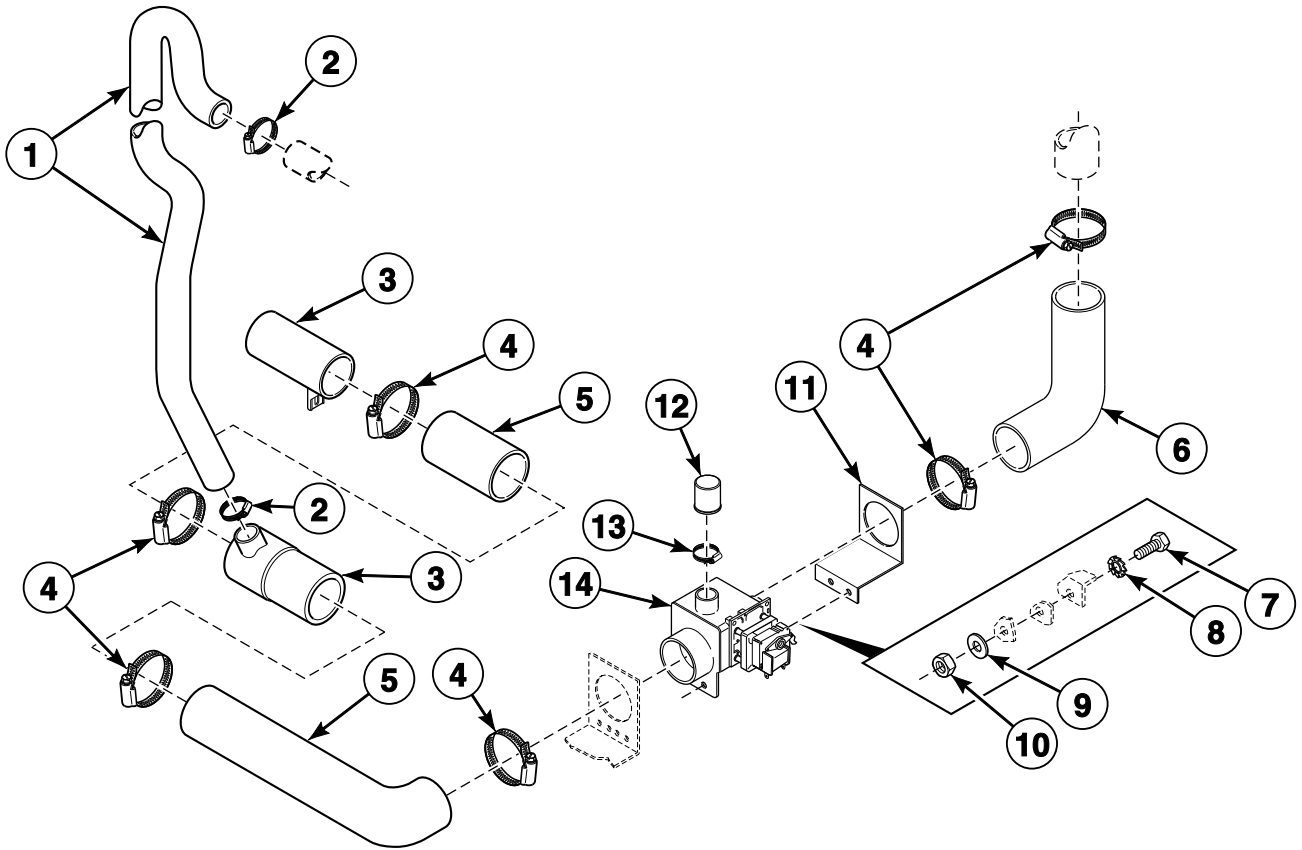


CFD56P_9001007

Motor

REF	PART NO.	DESCRIPTION	COMMENTS
1	9001284	Bolt	
2	9001238	Washer	
3	9001217	Washer	
4	9001294	Screw	
5	9001637	Pulley	Models before Serial No. 10110440133
	253/00079/00	Pulley	Models starting Serial No. 10110440133
6	B12510801	Motor	
7	9001322	Screw	
8	9001215	Washer	
9	9001243	Washer	
10	9001252	Nut	
11	9001267	Nut	
12	9001375	Cooling Fan	
13	9001619	Bolt	
14	9001208	Washer	
15	9001266	Nut	
16	9001283	Bolt	
17	9001211	Washer	
18	9001264	Nut	
19	9001161	Motor Plate	
20	9001255	Nut	
21	9001315	Screw	

Single Drain Assembly



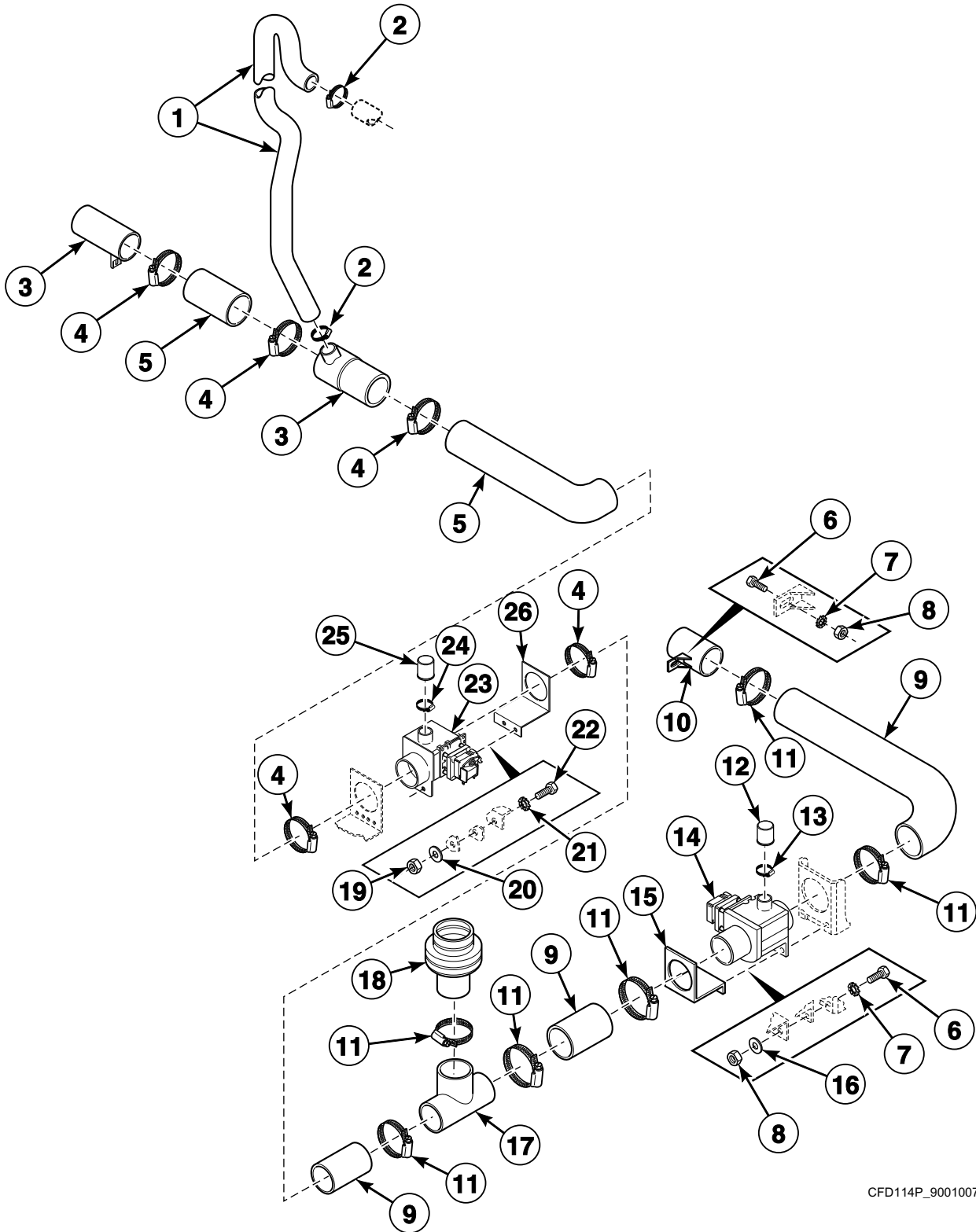
CFD57P_9001007

Single Drain Assembly

REF	PART NO.	DESCRIPTION	COMMENTS
	210/01575/18	Drain Valve Harness	
1	9001532	Overflow Hose	
2	9001494	Hose Clamp	
3	9001518	Drain Pipe	
4	9001502	Hose Clamp	
5	9001526	Drain Valve to Drain Pipe Hose	
6	9001525	Drain Tub to Drain Valve Hose	
7	9001287	Bolt	
8	9001240	Washer	
9	9001227	Washer	
10	9001249	Nut	
11	N/A	Drain Valve Plate Assembly	
12	9001503	Drain Valve Overflow Plug	
13	9001546	Hose Clamp	
14	9001355	Drain Valve	

N/A = Part no longer available

Dual Drain Assembly

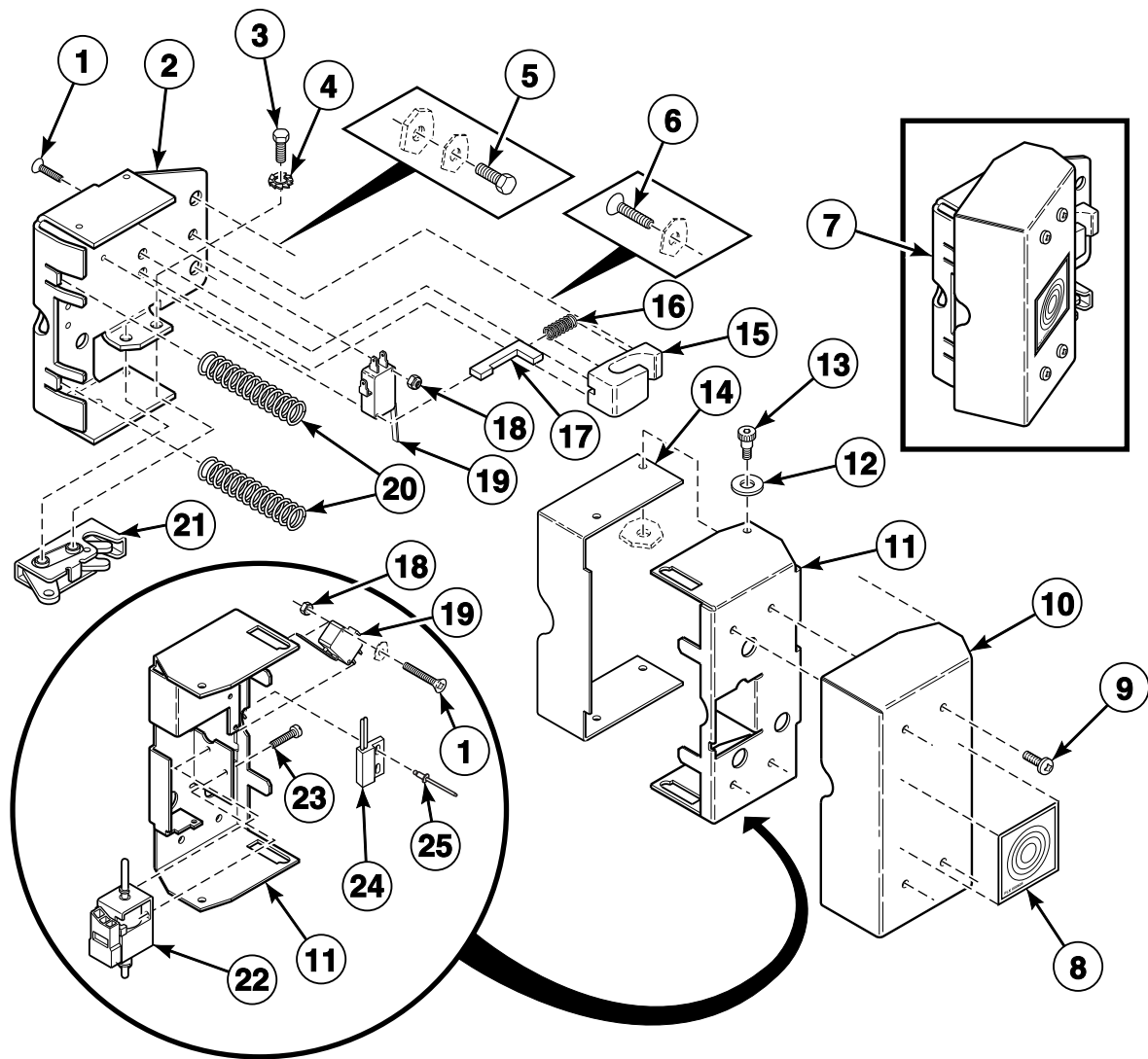


CFD114P_9001007

Dual Drain Assembly

REF	PART NO.	DESCRIPTION	COMMENTS
	210/01575/18	Drain Valve Harness	
	831P3	Drain Kit	Includes items 6-18, C0064 2-Drain Harness
1	9001532	Overflow Hose	
2	9001494	Hose Clamp	
3	9001518	Drain Pipe	
4	9001502	Hose Clamp	
5	9001526	Drain Valve to Drain Pipe Hose	
6	9001287	Bolt	
7	9001240	Washer	
8	9001249	Nut	
9	9001526	Drain Valve to Drain Pipe Hose	
10	9001518	Drain Pipe	
11	9001502	Hose Clamp	
12	9001503	Drain Valve Overflow Plug	
13	9001493	Hose Clamp	
14	9001361	Drain Valve	
15	9001099	Drain Valve Plate Assembly	
16	9001227	Washer	
17	253/00006/00	T-Piece	
18	223/00170/00	Exhaust Valve Hose	
19	9001249	Nut	
20	9001227	Washer	
21	9001240	Washer	
22	9001287	Bolt	
23	9001355	Drain Valve	
24	9001546	Hose Clamp	
25	9001503	Drain Valve Overflow Plug	
26	9001099	Drain Valve Plate Assembly	

Door Lock



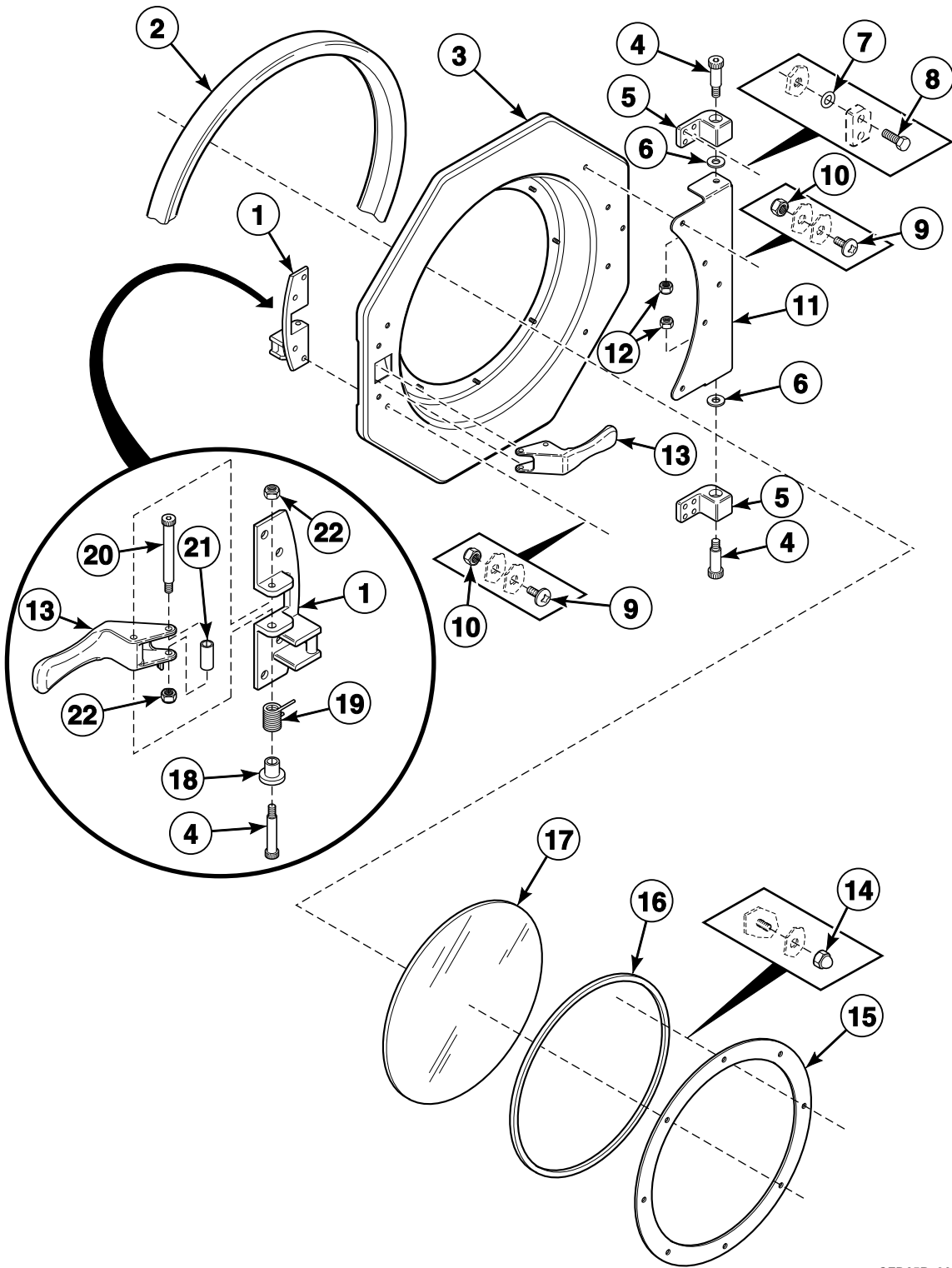
CFD492P_9001007

Door Lock

REF	PART NO.	DESCRIPTION	COMMENTS
	C000867P	Door Lock Harness	Models starting 7/15/11
1	C000614	Screw	
2	C000684	Door Lock Plate	
3	9001720	Screw	
4	C000571	Washer	
5	9001282	Bolt	
6	C000612	Screw	
7	C001036M	Door Lock Kit	Includes items 1-6 and 8-25, F8390801 Magnet, C002994 Door Magnet Mounting Bracket and F431223 Pop Rivet
8	C000694	Door Release Decal	
9	9001709	Screw	
10	C000688	Door Lock Cover	
11	C003022	Door Lock Solenoid Bracket	
12	9001214	Washer	
13	C000430	Bolt	
14	C000687	Door Lock Spring Cover	
15	C000185	Door Lock Catch	
16	C000276	Door Lock Slide Spring	
17	C000271	Door Lock Switch Slide	
18	C000578	Nut	
19	C000278	Door Lock Microswitch	
20	C000431	Spring	
21	C001244	Door Latch	
22	C000184P	Door Lock Solenoid	
23	207/00135/00	Screw	
24	C003000	Reed Switch Assembly	Models starting 7/15/11
25	F8245101	Blind Rivet	Models starting 7/15/11

Door (Drawing 1 of 2)

Models HX100PVNU6, HX100PVQU6, SX100PVNU6, SX100PVQU6, UX100PVNU6, UX100PVPU6 and UX100PVQU6



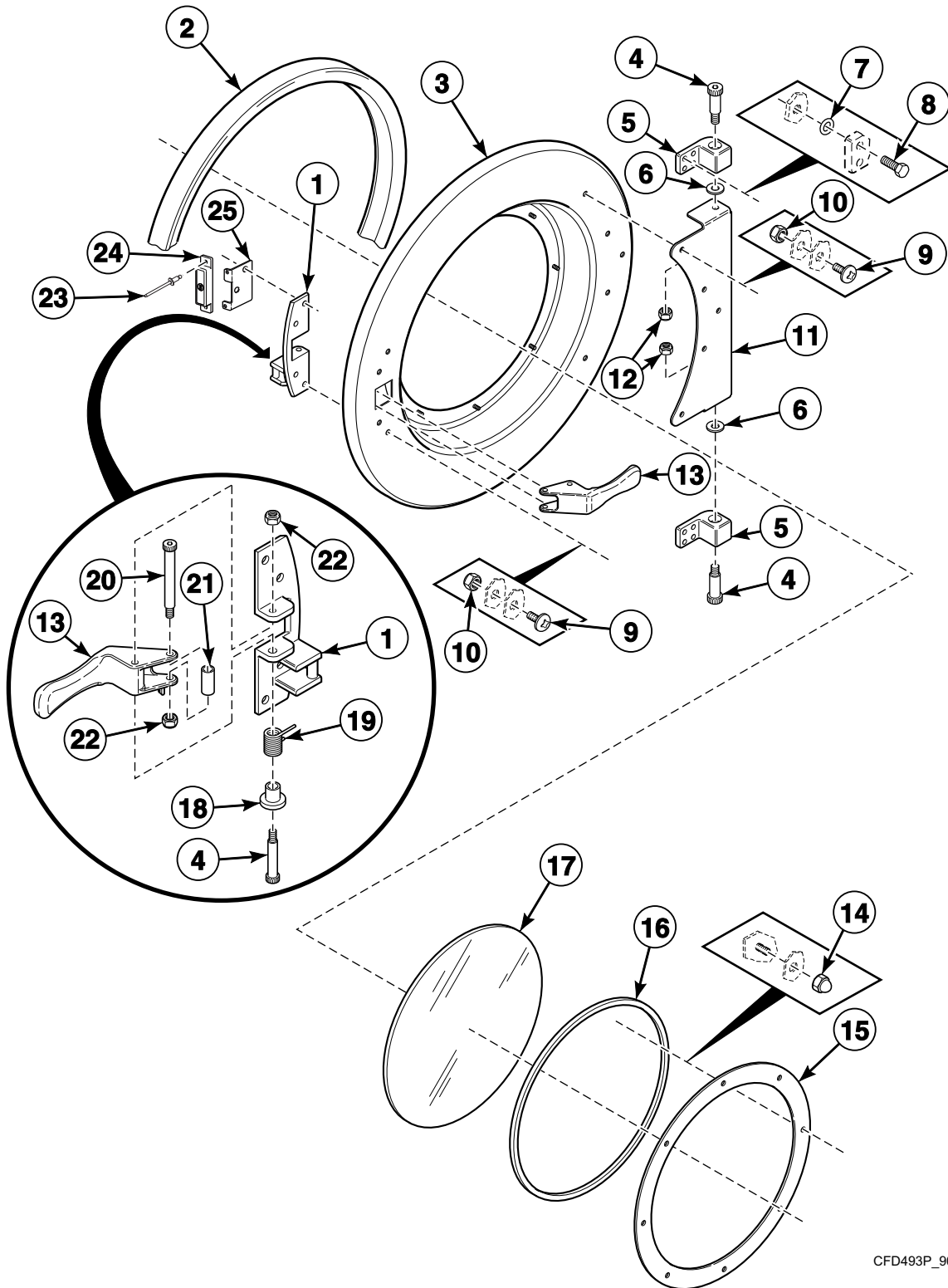
CFD65P_9001007

Door (Drawing 1 of 2)

REF	PART NO.	DESCRIPTION	COMMENTS
	9001646	Door Assembly	
1	C000470	Door Handle Hinge Weldment	
2	253/00162/01	Door Gasket	Includes F200001600 Shell Band Gasket
3	9001185	Door	
4	C001785	Bolt	
5	C000175	Hinge Block	
6	C000177	Washer	
7	9001549	O-Ring	
8	9001281	Bolt	
9	C000561	Bolt	
10	C000560	Nut	
11	253/00176/50	Hinge Plate	
12	685844	Nut	
13	C001679P	Door Handle	
14	F431026	Nut	
15	9001731	Door Glass Retainer	
16	C000140P	Door Glass Gasket	
17	C000139	Door Glass	
18	C000192	Door Handle Spring Bushing	
19	C001786	Door Handle Torsion Spring	
20	C000180	Bolt	
21	C000181	Door Handle Bushing	
22	F431024	Nut	

Door (Drawing 2 of 2)

Models HX100PVNU7, HX100PVQU7, HX100PVPU7, HX100_WE-8, SX100PVNU7, SX100PVQU7, SX100PVPU7, SX100_WE-8, UX100PVNU7, UX100PVPU7, UX100PVQU7 and UX100_WE-8



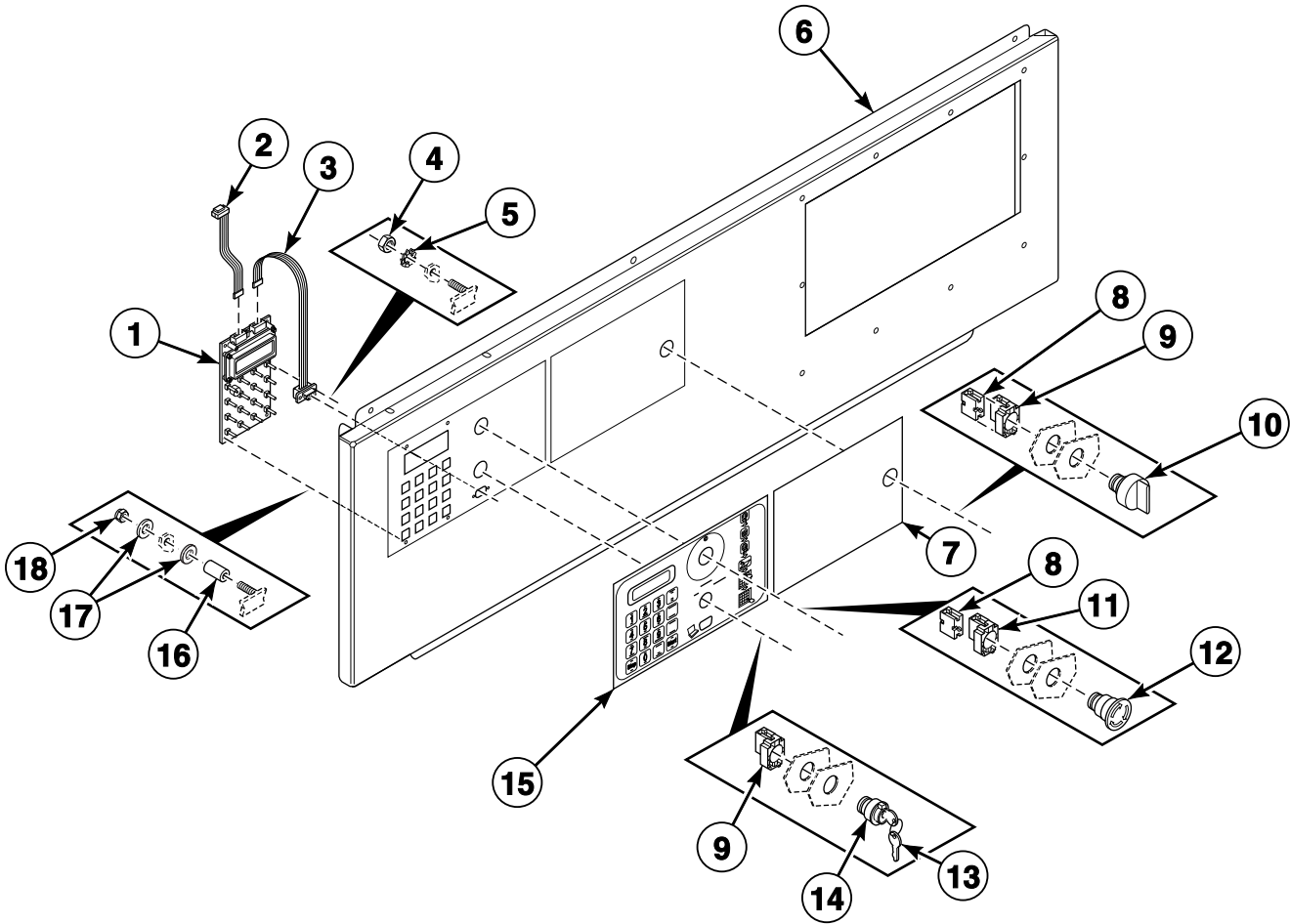
CFD493P_9001007

Door (Drawing 2 of 2)

REF	PART NO.	DESCRIPTION	COMMENTS
	9001646	Door Assembly	
1	C000470	Door Handle Hinge Weldment	
2	253/00162/01	Door Gasket	Includes F200001600 Shell Band Gasket
3	153/00082/00	Door	Includes item 15
4	C001785	Bolt	
5	C000175	Hinge Block	
6	C000177	Washer	
7	9001549	O-Ring	
8	9001281	Bolt	
9	C000561	Bolt	
10	C000560	Nut	
11	253/00176/50	Hinge Plate	
12	685844	Nut	
13	C001679P	Door Handle	
14	F431026	Nut	
15	253/10128/00	Door Glass Retainer	
16	223/00346/00	Door Glass Seal	
17	N/A	Door Glass	
18	C000192	Door Handle Spring Bushing	
19	C001786	Door Handle Torsion Spring	
20	C000180	Bolt	
21	C000181	Door Handle Bushing	
22	F431024	Nut	
23	F431223	Pop Rivet	Models starting 7/15/11
24	F8390801	Magnet	Models starting 7/15/11
25	C002994	Door Magnet Mounting Bracket	Models starting 7/15/11

N/A = Part no longer available

Control Panel

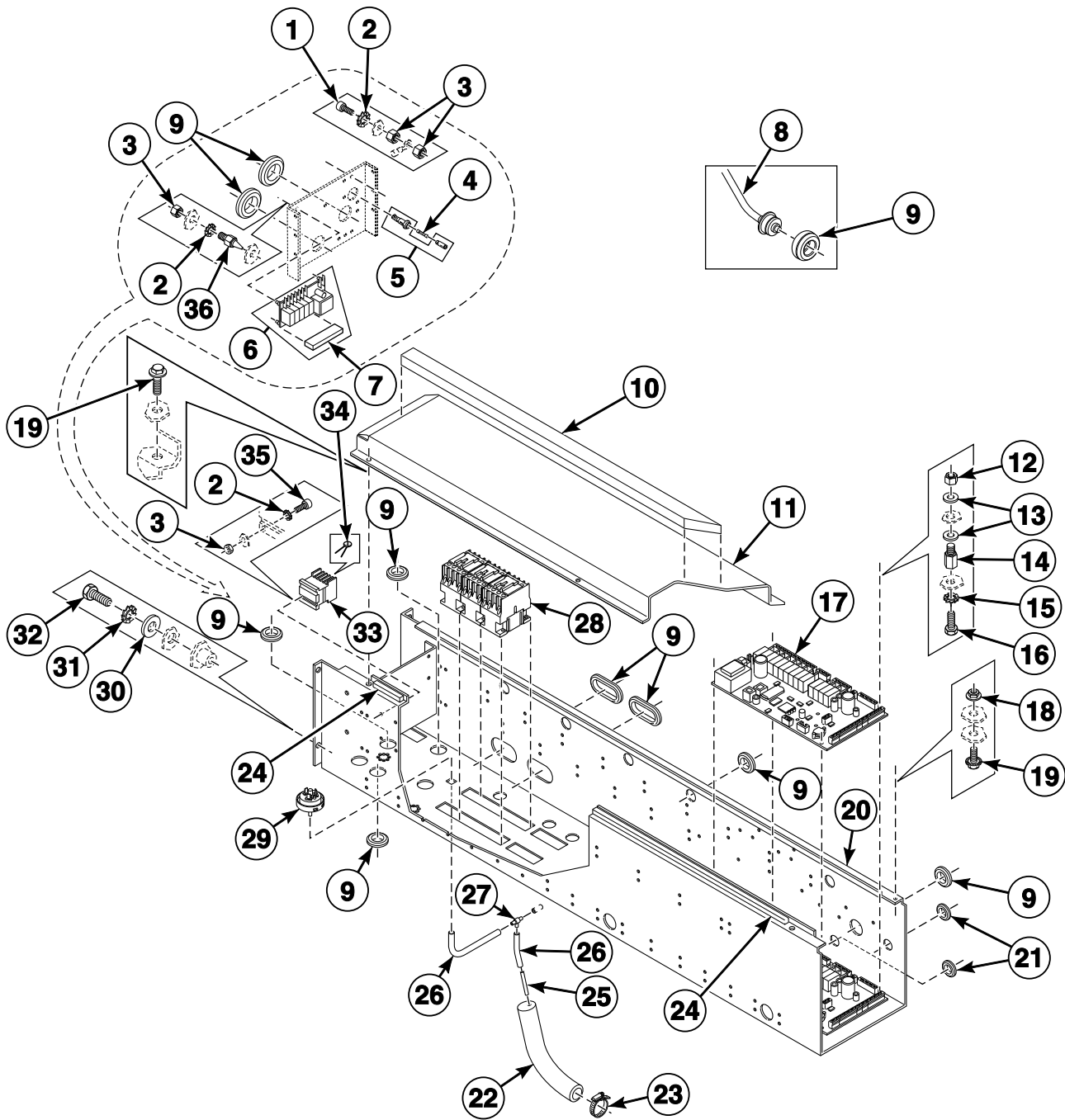


CFD190P_9001007

Control Panel

REF	PART NO.	DESCRIPTION	COMMENTS
1	209/00580/03	Display	
2	9001417	Flat Cable	
3	9001418	Programming Cable	
4	9001253	Nut	
5	9001244	Washer	
6	9001203	Control Panel	
7	F8435601	Overlay	Models UX100PVNU6, UX100PVNU7, UX100PVPU6, UX100PVPU7, UX100PVQU6, UX100PVQU7 and UX100_WE-8
	9001563	Overlay	Models SX100PVNU6, SX100PVNU7, SX100PVQU6, SX100PVQU7, SX100PVPU7 and SX100_WE-8
	9001890	Logo Decal	Models HX100PVNU6, HX100PVNU7, HX100PVQU6, HX100PVQU7, HX100PVPU7 and HX100_WE-8
8	44018901	Contact Block	
9	9001356	Switch Base	
10	9002072	Switch Knob	Steam and electric heat models
11	44018701	Contact Block	
12	44018801	Pushbutton	
13	9001756	Programming Key	Key code 455
14	9001378	Programming Key Contact Switch	
15	F9001561	Overlay	
16	9001659	Spacer	
17	9001523	Washer	
18	9001269	Nut	

Control Module



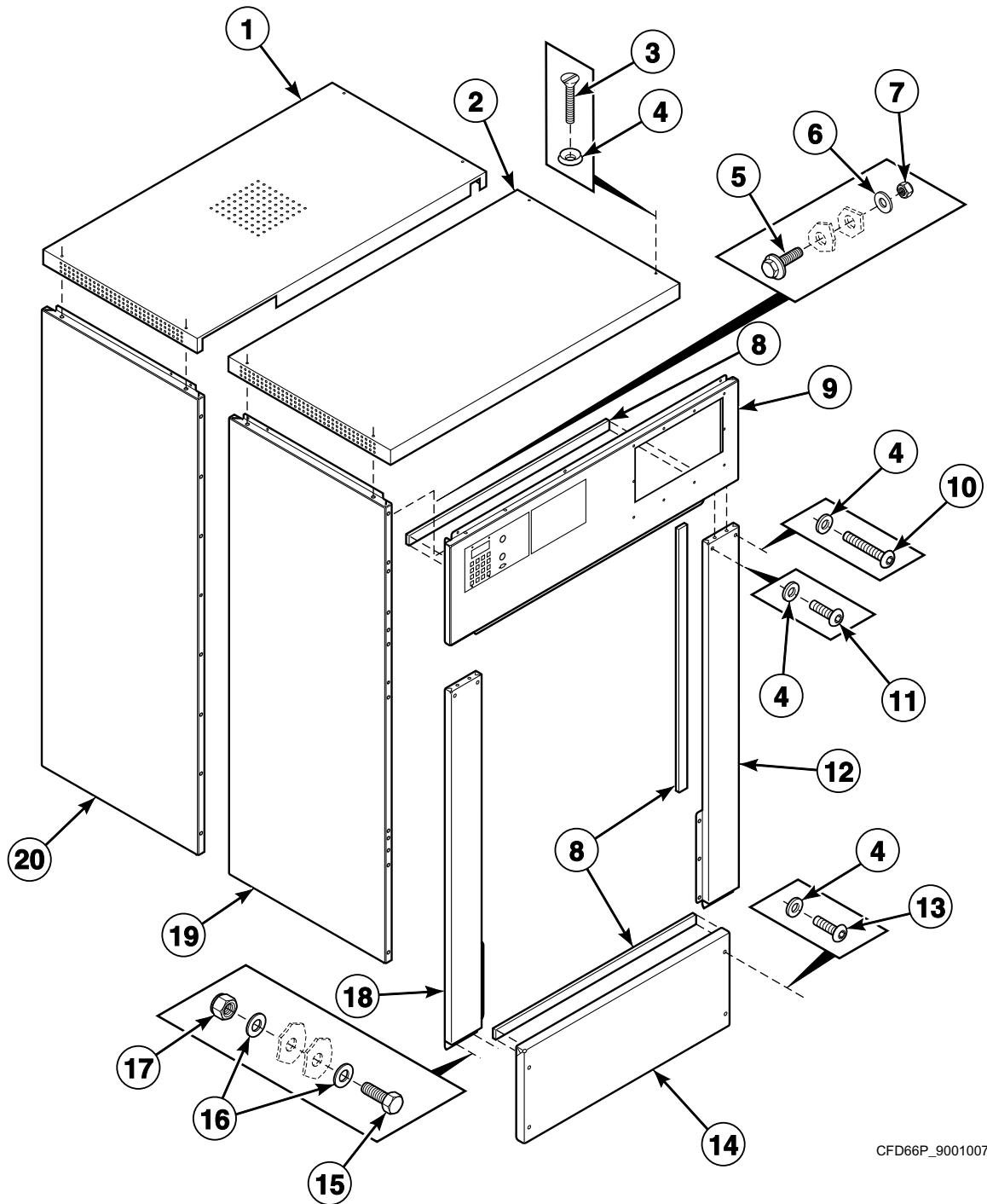
CFD125P_9001007

Control Module

REF	PART NO.	DESCRIPTION	COMMENTS
1	9001292	Bolt	
2	9001243	Washer	
3	9001252	Nut	
4	9001384	Fuse	
5	9001364	Fuse Holder	
6	9001366	Soap Injection PCB with Fuse	Includes item 7
7	9001888	Connector	
8	9001669	Thermostat	
9	9001564	Thermostat Seal	
10	9001608	Gasket	
11	9001191	Electrical Plate Cover	
12	9001269	Nut	
13	9001523	Washer	
14	N/A	Spacer	
15	9001244	Washer	
16	207/00135/00	Screw	
17	9002100	Main Control	
	210/01304/07	Soap Harness	Main control to soap box
18	9001311	Nut	
19	9001310	Bolt	
20	9001740	Electrical Component Plate Assembly	
21	9001530	Grommet	
22	9001766	Out-of-Balance Switch Boot	
23	9001492	Hose Clamp	
24	9001607	Gasket	
25	9001496	Hose Barb	
26	223/00333/00	Pressure Hose	
27	9001497	Water Level Switch Hose Tee	
28	9002066	Contactactor	
29	9001351	Pressure Switch	Models through 7/8/08
	209/00029/00	Water Level Switch	Models starting 7/9/08
30	9001214	Washer	
31	9001241	Washer	
32	9001275	Bolt	
33	9001358	Contactactor	
34	9001746	Noise Suppressor	
35	9001322	Screw	
36	9001429	Standoff	

N/A = Part no longer available

Top, Left Side and Front Panels



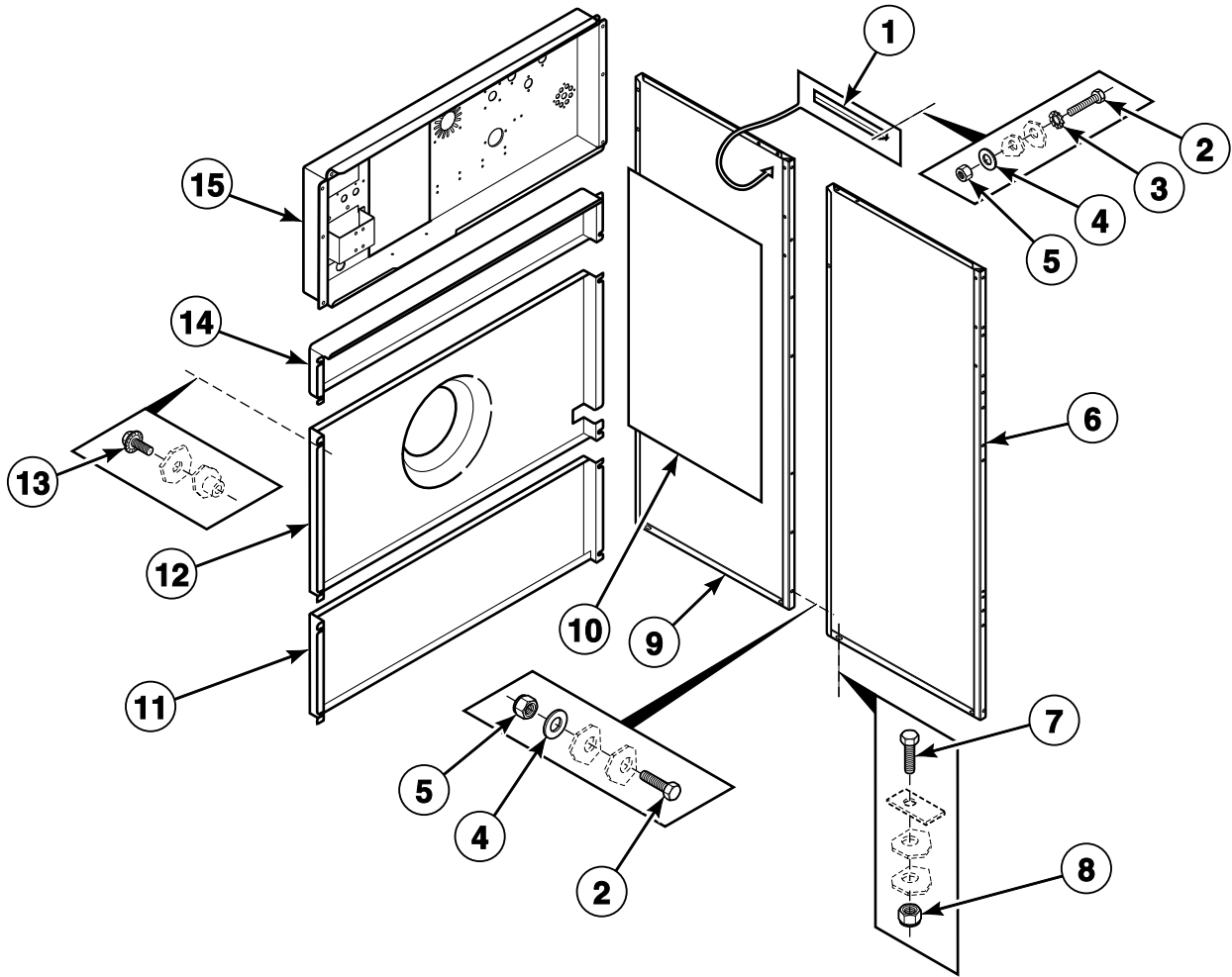
CFD66P_9001007

Top, Left Side and Front Panels

REF	PART NO.	DESCRIPTION	COMMENTS
21	9001166	Back Cabinet Top	
2	9001165	Front Cabinet Top	
3	9001339	Screw	
4	9001345	Washer	
5	9001310	Bolt	
6	9001234	Washer	
7	9001260	Nut	
8	9001608	Gasket	
9	N/A	Control Panel	
10	9001661	Screw	
11	9001670	Screw	
12	9001683	Front Right Panel	
13	9001332	Screw	
14	9001206	Kickplate	
15	9001296	Bolt	
16	9001227	Washer	
17	9001262	Nut	
18	9001684	Front Left Panel	
19	9001188	Front Left and Rear Right Side Panel	
20	9001186	Front Right and Rear Left Side Panel	

N/A = Part no longer available

Back and Right Side Panels

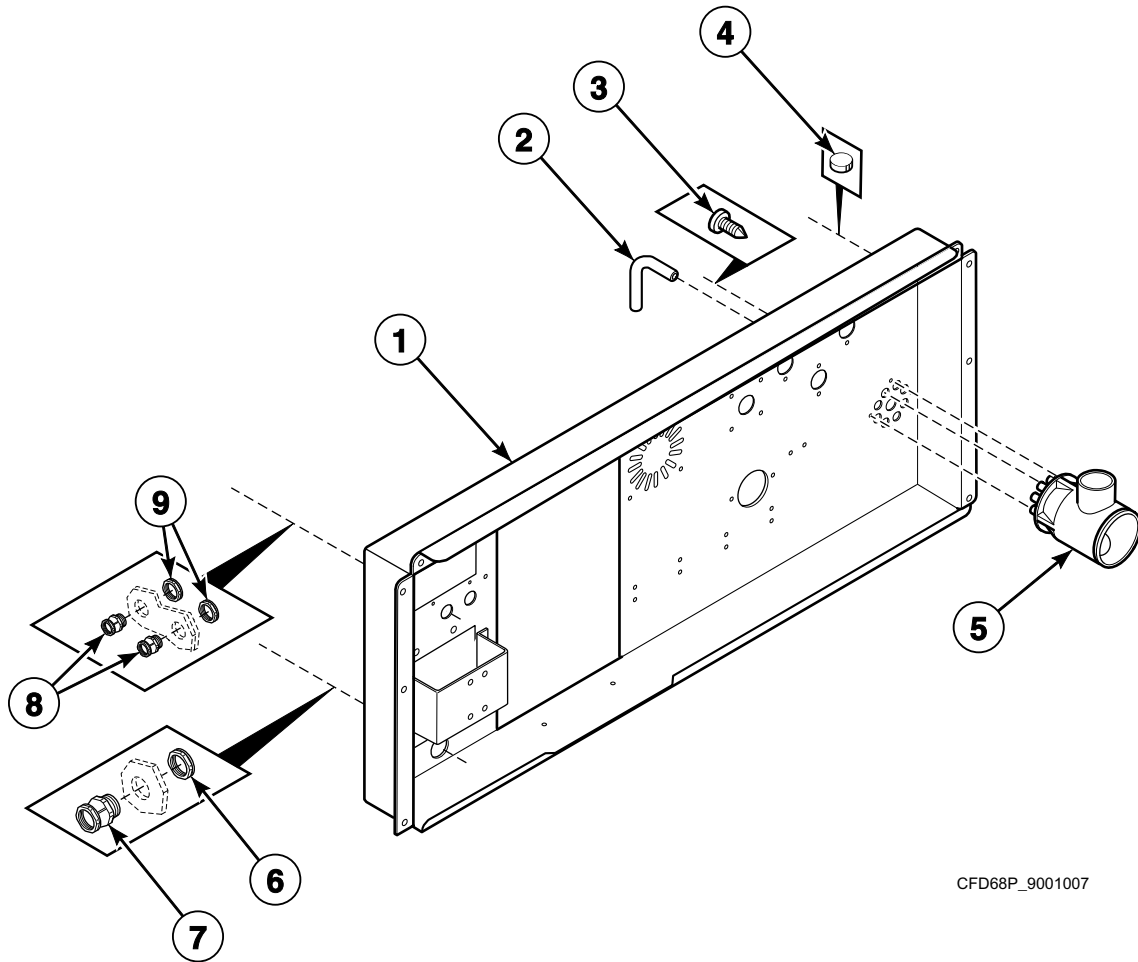


CFD67P_9001007

Back and Right Side Panels

REF	PART NO.	DESCRIPTION	COMMENTS
1	9001187	Side Panel Support Assembly	
2	9001274	Bolt	
3	9001241	Washer	
4	9001236	Washer	
5	9001260	Nut	
6	9001186	Front Right and Rear Left Side Panel	
7	9001275	Bolt	
8	9001254	Nut	
9	9001188	Front Left and Rear Right Side Panel	
10	9001606	Side Panel Gasket	
11	9001196	Lower Back Panel	
12	9001195	Middle Back Panel	
13	9001310	Bolt	
14	9001194	Back Panel	
15	9001201	Backbridge	

Upper Back Panel (Drawing 1 of 4)

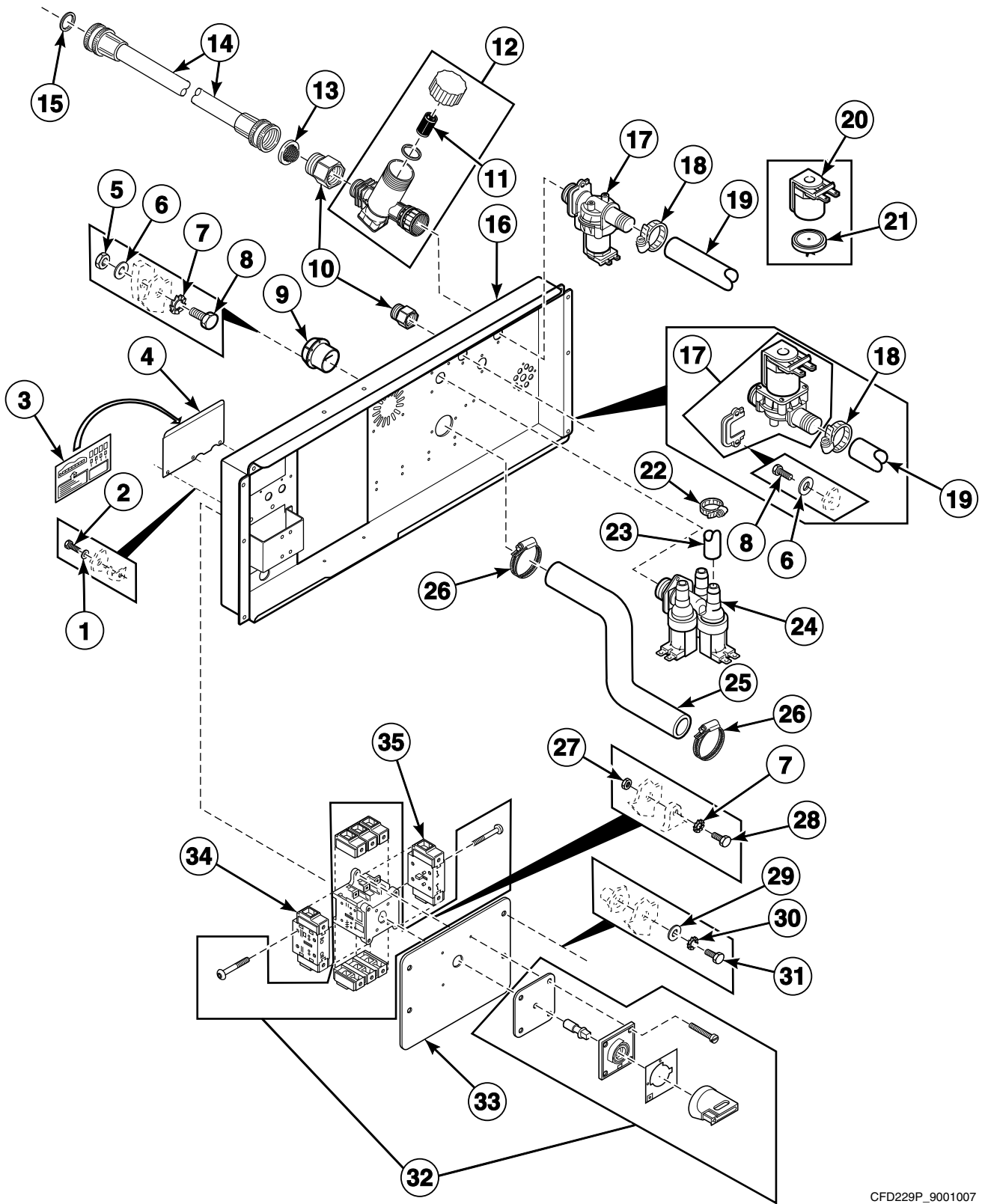


CFD68P_9001007

Upper Back Panel (Drawing 1 of 4)

REF	PART NO.	DESCRIPTION	COMMENTS
1	9001201	Backbridge	
2	9001531	Pressure Hose	
3	208/00130/00	Screw	
4	9001420	Plug	
5	9001550	Liquid Soap Manifold	
6	9001422	Cordlock	PE29
7	9001423	Cordlock	PG29
8	9001427	Cordlock	PE16
9	9001428	Cordlock	PG16

Upper Back Panel (Drawing 2 of 4)



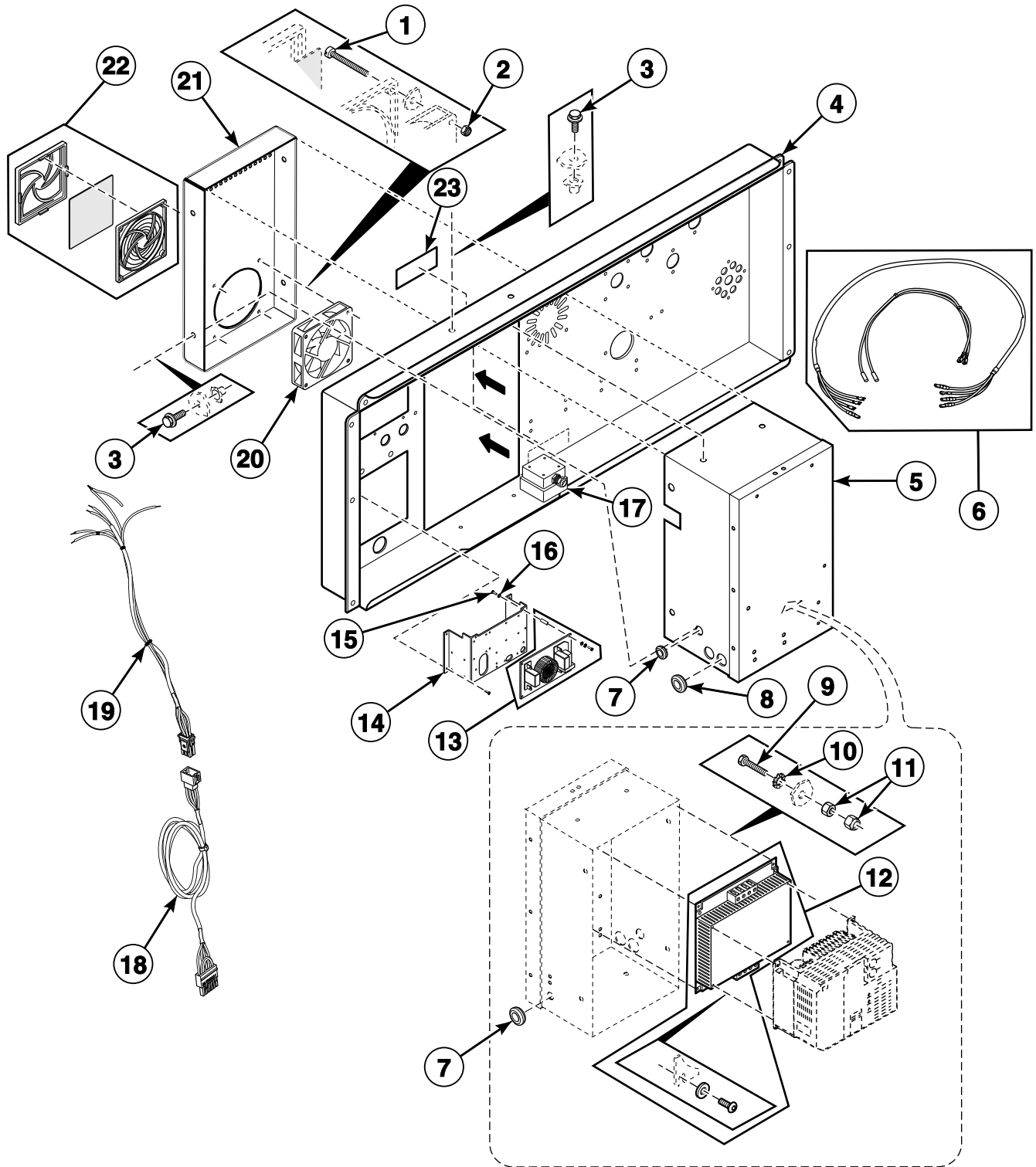
CFD229P_9001007

Upper Back Panel (Drawing 2 of 4)

REF	PART NO.	DESCRIPTION	COMMENTS
1	9001231	Washer	
2	9001335	Screw	
3	N/A	Electrical Connection Sticker	
4	9001143	Electrical Connection Cover	
5	9001252	Nut	
6	9001229	Washer	
7	9001243	Washer	
8	9001292	Bolt	
9	9001510	Hose Vent	
10	223/00050/01	Water Valve Adapter	Converts from metric to standard thread
11	209/00385/01	Filter	
12	209/00385/00	Filter	
13	803615	Washer	
14	F200164	Water Hose	Standard thread
	F200166	Water Hose	Metric thread
15	20290	Washer	
16	9001201	Backbridge	
17	9001359	1-Way Inlet Valve	
18	9001492	Hose Clamp	
19	9001500	Water Hose	
20	9001753	Inlet Valve Solenoid	
21	9001758	Diaphragm Kit	
22	F200205	Hose Clamp	No. 10
23	9001498	Water Hose	
24	9001374	3-Way Inlet Valve	
25	9001543	Vent Hose	
26	9001495	Hose Clamp	
27	N/A	Nut	
28	9001280	Bolt	
29	9001230	Washer	
30	9001241	Washer	
31	9001274	Bolt	
32	9001387	Main Switch	80A
	209/00672/00	Main Switch	40A
	9001393	Main Switch	125A
33	9001163	Switch Bracket	25A
	9001164	Switch Bracket	80A
34	9001388	Neutral Terminal Block	63/80A
	9001391	Neutral Terminal Block	25A
35	9001389	Ground Terminal Block	63/80A
	9001392	Ground Terminal Block	25A
	9001394	Ground Terminal Block	125A

N/A = Part no longer available

Upper Back Panel (Drawing 3 of 4)

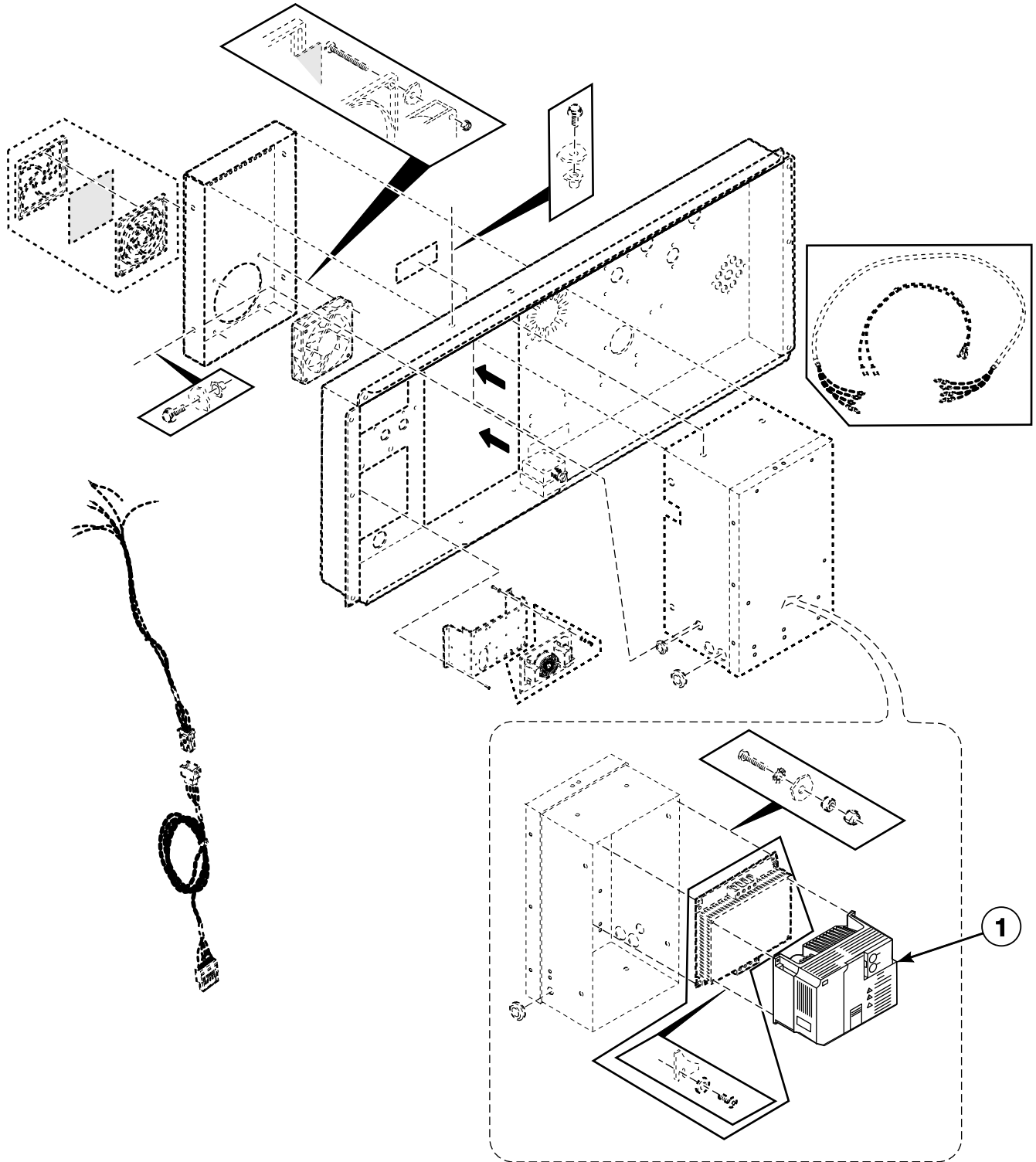


CFD456P_9001007

Upper Back Panel (Drawing 3 of 4)

REF	PART NO.	DESCRIPTION	COMMENTS
	9001011	Parameter Unit Assembly	Includes 9001011 Parameter Unit Assembly and 9001895 Parameter Unit Program Cable; Hand held
	F8410901	Parameter Unit Assembly	Used with 500-series inverters; Inverter mounted
1	9001329	Screw	
2	9001267	Nut	
3	9001310	Bolt	
4	9001200	Backbridge	
5	9001058	Inverter Drive Box	
6	9002080	Inverter to Motor Harness	
7	9001540	Grommet	
8	9001530	Grommet	
9	9001278	Bolt	
10	9001242	Washer	
11	9001261	Nut	
12	9001591	Noise Filter	
13	210/00027/UL00	Filter	16A1; Standard models; Models starting 1/8/04
	9001899	Filter	45A1; 220 Volt/1 Phase models with electric heat; Models starting 1/8/04
	227/00242/00	Noise Filter	16A3; 220 Volt/3 Phase, 4.2 and 6 kW models with electric heat; 400 Volt/3 Phase, 4.2, 6 and 9 kW models with electric heat; Models starting 1/8/04
	9001898	Filter	40A3; 220 Volt/3 Phase, 9 kW models with electric heat; 400 Volt/3 Phase, 12 kW models with electric heat; Models starting 1/8/04
14	9001902	Electrical Connection Plate	
15	9001292	Bolt	
16	9001243	Washer	
17	9001986	Transformer	Models HX100PVNU6, HX100PVNU7, HX100_WE-8, SX100PVNU6, SX100PVNU7, SX100_WE-8, UX100PVNU6, UX100PVNU7 and UX100_WE-8
18	9001905	Micro to Connector Harness	From the main control to the inverter drive; Models HX100PVNU6, HX100PVNU7, HX100PVPU7, HX100_WE-8, SX100PVNU6, SX100PVNU7, SX100PVPU7, SX100_WE-8, UX100PVNU6, UX100PVNU7, UX100PVPU6, UX100PVPU7 and UX100_WE-8; Requires inverter jumper to be in 'source' position
	B12371101	Micro to Connector Harness	Models HX100PVQU6, HX100PVQU7, SX100PVQU6, SX100PVQU7, UX100PVQU6 and UX100PVQU7; Requires inverter jumper to be in the 'sink' position; From the main control to the inverter drive
19	9001904	Connector to Inverter Harness	From the main control to the inverter drive
20	9001375	Cooling Fan	
21	9001162	Inverter Fan Cover	
22	9001383	Fan Grill	Models through 10/5/08
	209/00287/11	AC Drive Filter	Models starting 10/6/08
23	B12355001	Voltage Discharge Decal	

Upper Back Panel (Drawing 4 of 4)

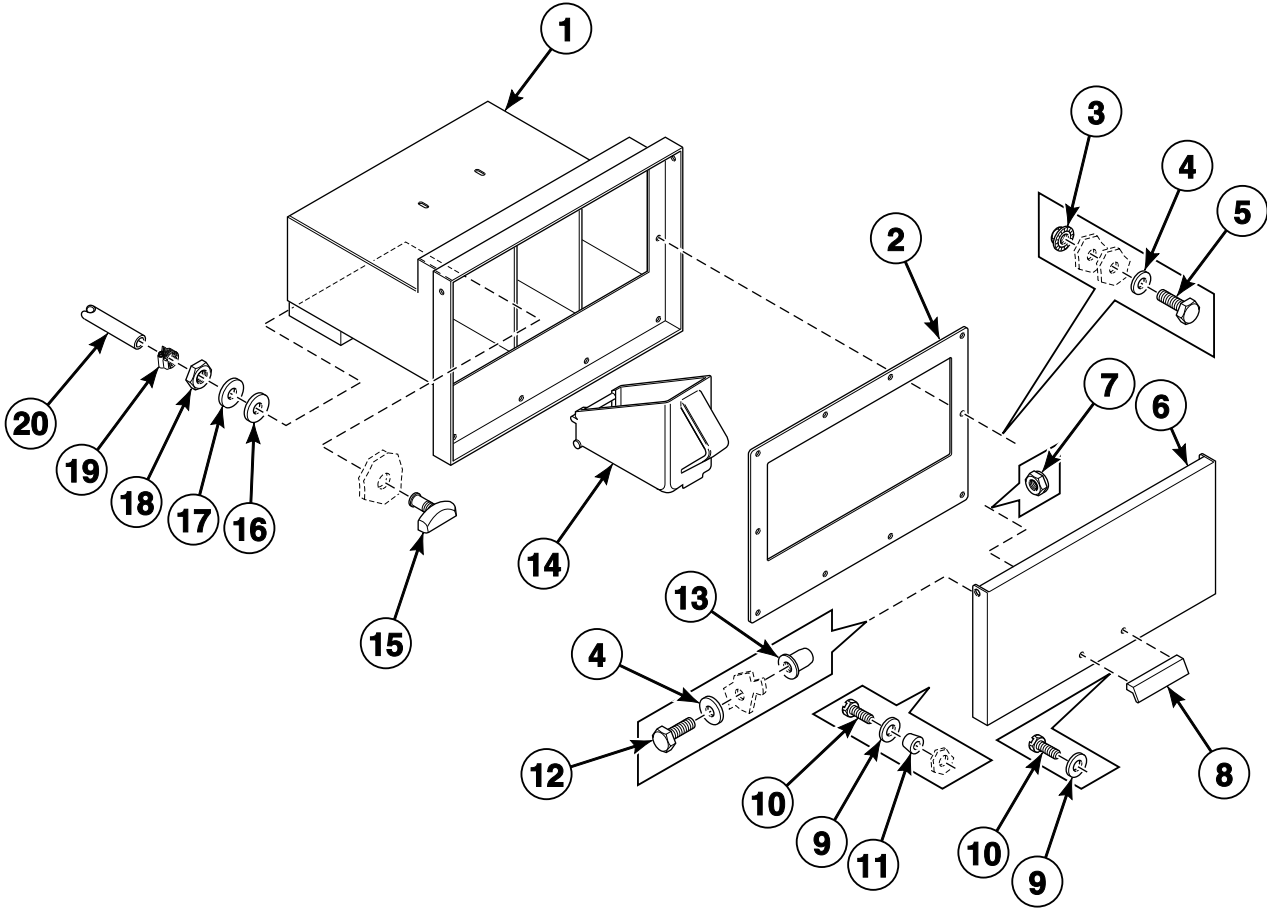


CFD456PA_9001007

Upper Back Panel (Drawing 4 of 4)

REF	PART NO.	DESCRIPTION	COMMENTS
1	9001582	Inverter	500-series; Models HX100PVQU6, HX100PVQU7, HX100_WE-8, SX100PVQU6, SX100PVQU7, SX100_WE-8, UX100PVQU6, UX100PVQU7 and UX100_WE-8; 240 Volt
	227/00232/00	Inverter	500-series; Models HX100PVNU6, HX100PVNU7, HX100PVPU7, HX100_WE-8, SX100PVNU6, SX100PVNU7, SX100PVPU7, SX100_WE-8, UX100PVNU6, UX100PVNU7, UX100PVPU6, UX100PVPU7 and UX100_WE-8; 380-480 Volt
	F8421113	Inverter Drive	700-series; Models HX100PVQU6, HX100PVQU7, HX100_WE-8, SX100PVQU6, SX100PVQU7, SX100_WE-8, UX100PVQU6, UX100PVQU7 and UX100_WE-8; Models with a 3.5 inch motor pulley
	F8421115	Inverter Drive	700-series; Models HX100PVQU6, HX100PVQU7, HX100_WE-8, SX100PVQU6, SX100PVQU7, SX100_WE-8, UX100PVQU6, UX100PVQU7 and UX100_WE-8; Models with a 3.3 inch motor pulley
	F8421114	Inverter Drive	700-series; Models HX100PVNU6, HX100PVNU7, HX100PVPU7, HX100_WE-8, SX100PVNU6, SX100PVNU7, SX100PVPU7, SX100_WE-8, UX100PVNU6, UX100PVNU7, UX100PVPU6, UX100PVPU7 and UX100_WE-8; Models with a 3.5 inch motor pulley
	F8421116	Inverter Drive	700-series; Models HX100PVNU6, HX100PVNU7, HX100PVPU7, HX100_WE-8, SX100PVNU6, SX100PVNU7, SX100PVPU7, SX100_WE-8, UX100PVNU6, UX100PVNU7, UX100PVPU6, UX100PVPU7 and UX100_WE-8; Models with a 3.3 inch motor pulley
	F8421013	Inverter Drive Retrofit Kit	Used to convert from 500-series to 700-series inverter drive; Models HX100PVQU6, HX100PVQU7, HX100_WE-8, SX100PVQU6, SX100PVQU7, SX100_WE-8, UX100PVQU6, UX100PVQU7 and UX100_WE-8; Models with 3.5 inch motor pulley
	F8421015	Inverter Drive Retrofit Kit	Used to convert from 500-series to 700-series inverter drive; Models HX100PVQU6, HX100PVQU7, HX100_WE-8, SX100PVQU6, SX100PVQU7, SX100_WE-8, UX100PVQU6, UX100PVQU7 and UX100_WE-8; Models with 3.3 inch motor pulley
	F8421014	Inverter Drive Retrofit Kit	Used to convert from 500-series to 700-series inverter drive; Models HX100PVNU6, HX100PVNU7, HX100PVPU7, HX100_WE-8, SX100PVNU6, SX100PVNU7, SX100PVPU7, SX100_WE-8, UX100PVNU6, UX100PVNU7, UX100PVPU6, UX100PVPU7 and UX100_WE-8; Models with 3.5 inch motor pulley
	F8421016	Inverter Drive Retrofit Kit	Used to convert from 500-series to 700-series inverter drive; Models HX100PVNU6, HX100PVNU7, HX100PVPU7, HX100_WE-8, SX100PVNU6, SX100PVNU7, SX100PVPU7, SX100_WE-8, UX100PVNU6, UX100PVNU7, UX100PVPU6, UX100PVPU7 and UX100_WE-8; Models with 3.3 inch motor pulley
	9002036	Inverter Fan	

Supply Dispenser - Models Through 4/26/2009

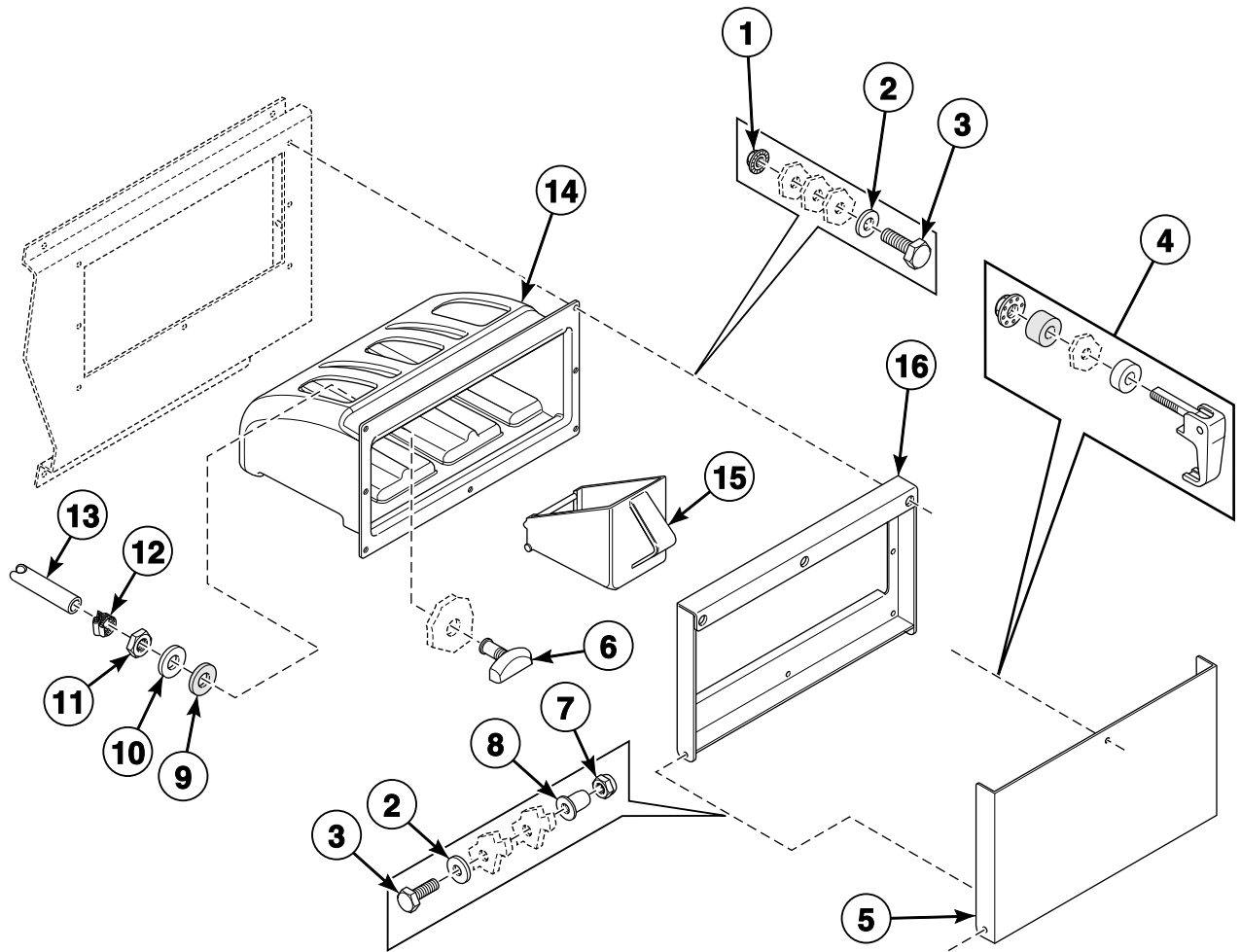


CFD61P_9001007

Supply Dispenser - Models Through 4/26/2009

REF	PART NO.	DESCRIPTION	COMMENTS
1	9001178	Soap Dispenser	
2	9001177	Soap Dispenser Cover Plate	
3	9001311	Nut	
4	9001230	Washer	
5	9001275	Bolt	
6	9001176	Soap Dispenser Cover	
7	9001254	Nut	
8	9001490	Soap Dispenser Cover Handle	
9	9001231	Washer	
10	9001335	Screw	
11	9001489	Soap Dispenser Cover Handle Grommet	
12	9001341	Screw	
13	9001271	Bushing	
14	9001624	Soap Dispenser Cup	
15	9001487	Prewash and Mainwash Nozzle	
16	9001488	Washer	
17	9001209	Washer	
18	9001270	Nut	
19	F200205	Hose Clamp	No. 10
20	9001498	Water Hose	

Supply Dispenser - Models Starting 4/27/2009



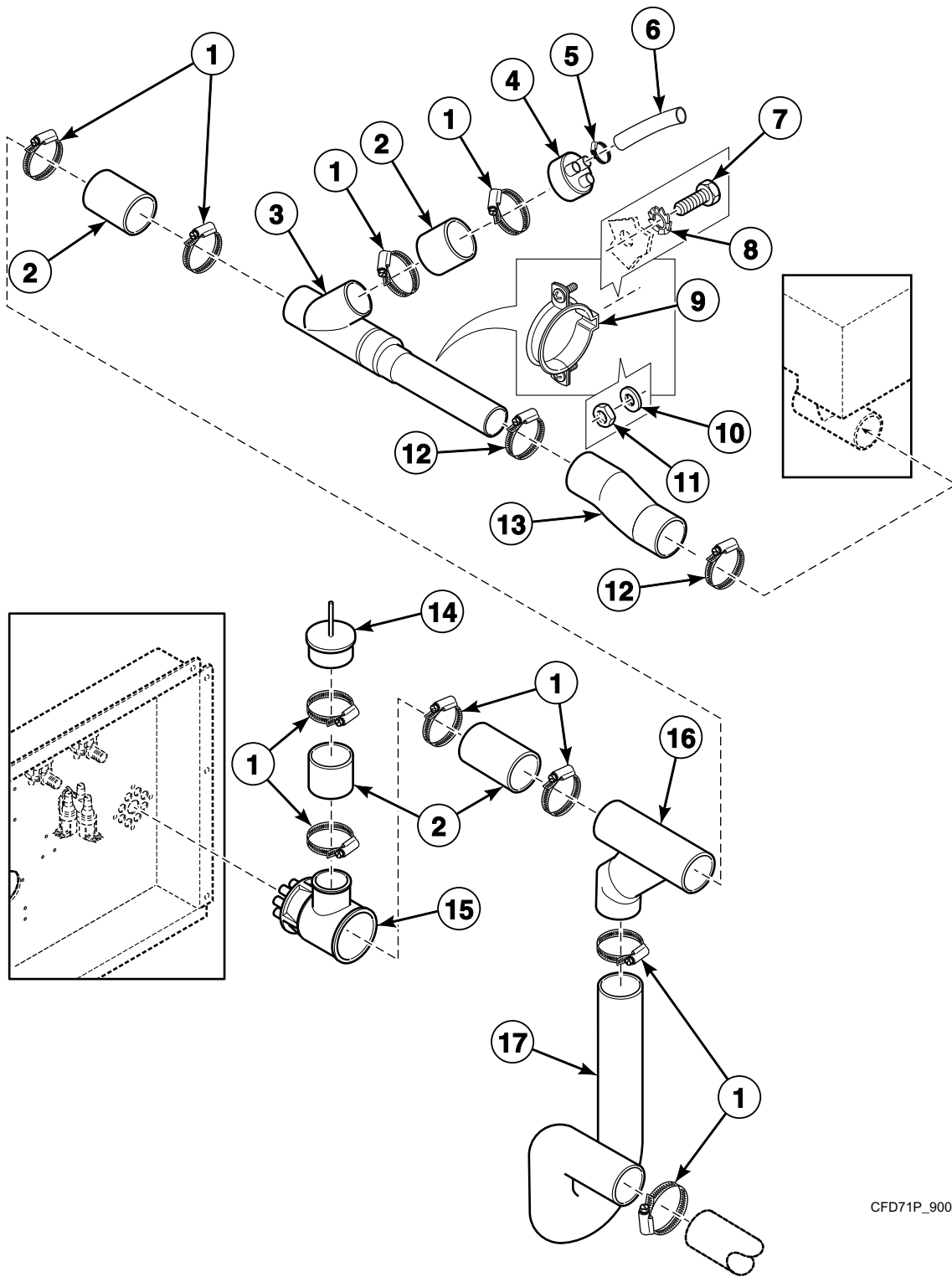
BE000920P_9001007

Supply Dispenser - Models Starting 4/27/2009

REF	PART NO.	DESCRIPTION	COMMENTS
1	206/00101/00	Nut	
2	202/00101/00	Washer	
3	205/00104/00	Bolt	
4	223/00392/00	Supply Dispenser Handle	
5	153/00089/00	Supply Dispenser Cover	
6	223/00001/04	Prewash and Mainwash Nozzle	
7	204/00009/00	Nut	
8	204/00301/00	Bushing	
9	223/00001/07	Washer	
10	201/00002/00	Washer	
11	204/00201/00	Nut	
12	223/00010/00	Hose Clamp	
13	223/00044/00	Water Hose	
14	223/00345/01	Supply Dispenser Box	

Plumbing (Drawing 1 of 2)

Models Through Serial No. 11050440026



CFD71P_9001007

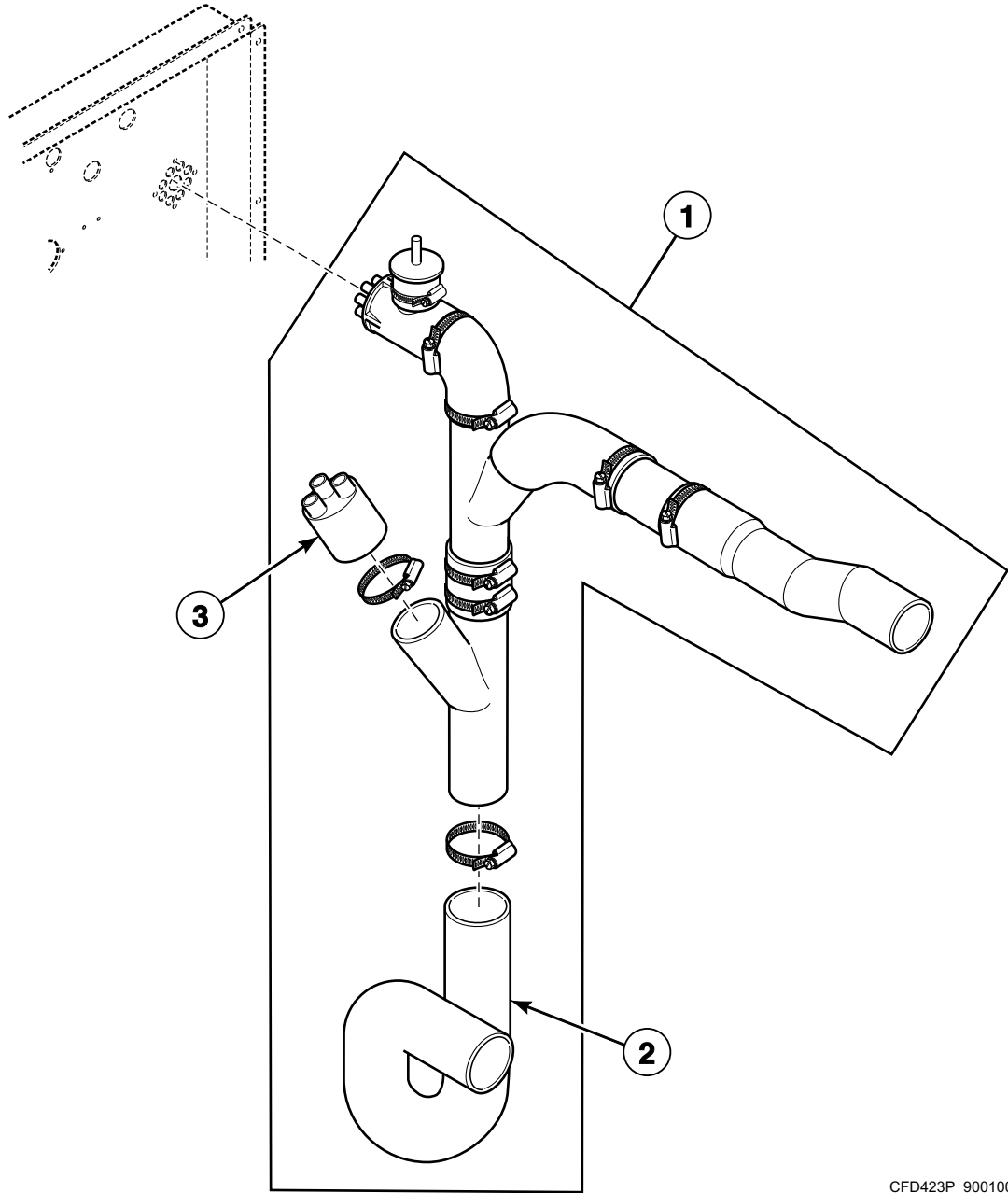
Plumbing (Drawing 1 of 2)

REF	PART NO.	DESCRIPTION	COMMENTS
1	9001502	Hose Clamp	
2	9001526	Drain Valve to Drain Pipe Hose	
3	9001626	Y Pipe	
4	223/00289/00	Water Inlet Grid	
5	9001492	Hose Clamp	
6	9001500	Water Hose	
7	9001275	Bolt	
8	9001241	Washer	
9	9001625	Pulley Hub	
10	9001236	Washer	
11	9001260	Nut	
12	9001495	Hose Clamp	
13	9001520	Vent Hose	
14	N/A	Y Pipe	
15	9001550	Liquid Soap Manifold	
16	9001630	Y Pipe	
17	9001533	Soap Dispenser to Tub Hose	

N/A = Part no longer available

Plumbing (Drawing 2 of 2)

Models Starting Serial No. 11050440027

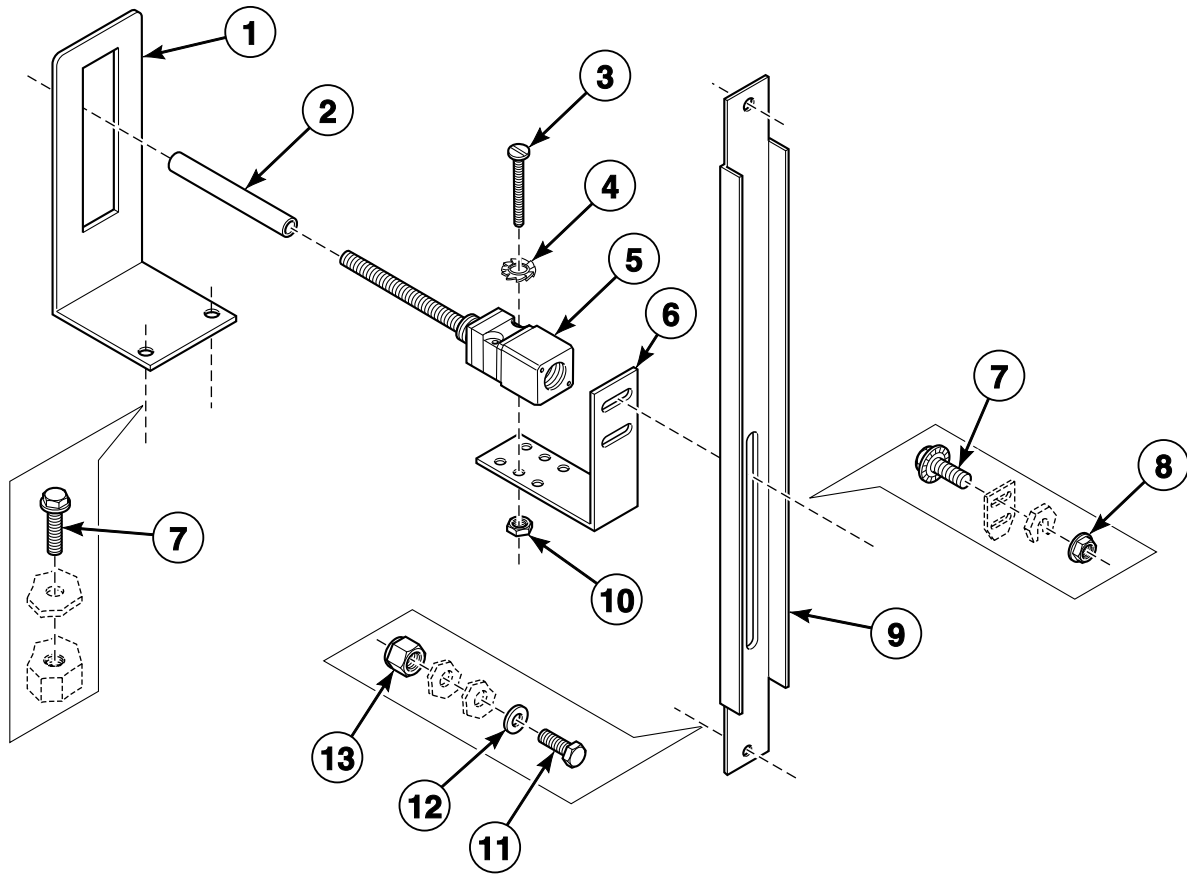


CFD423P_9001007

Plumbing (Drawing 2 of 2)

REF	PART NO.	DESCRIPTION	COMMENTS
1	B12374001	Plumbing Assembly	
2	223/00187/00	Soap Dispenser to Tub Hose	
3	223/00289/00	Water Inlet Grid	

Balance Switch



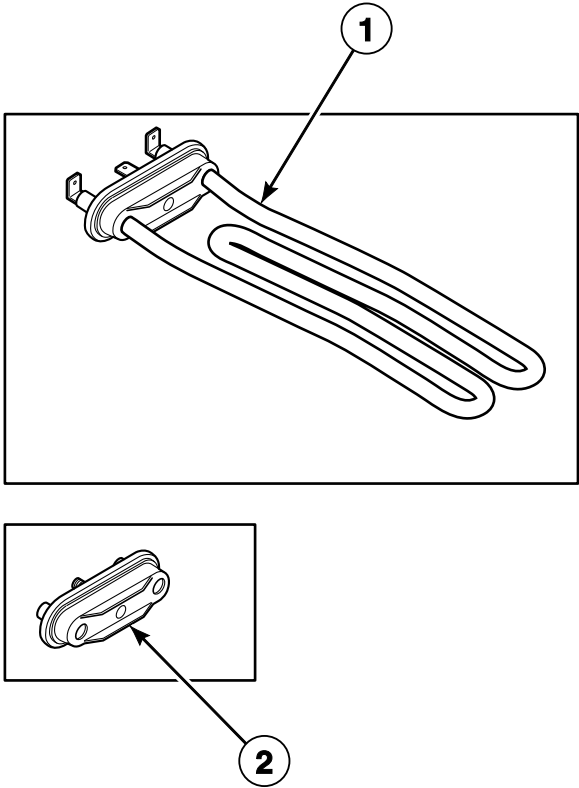
CFD64P_9001007

Balance Switch

REF	PART NO.	DESCRIPTION	COMMENTS
1	N/A	Out-of-Balance Detector Plate	
2	9001766	Out-of-Balance Switch Boot	
3	9001325	Screw	
4	9001243	Washer	
5	9001369	Out-of-Balance Switch	
6	9001041	Tilt Switch Bracket	
7	9001310	Bolt	
8	9001311	Nut	
9	N/A	Out-of-Balance Switch Plate	
10	9001252	Nut	
11	9001277	Bolt	
12	9001230	Washer	
13	9001254	Nut	

N/A = Part no longer available

Electric Heating Option

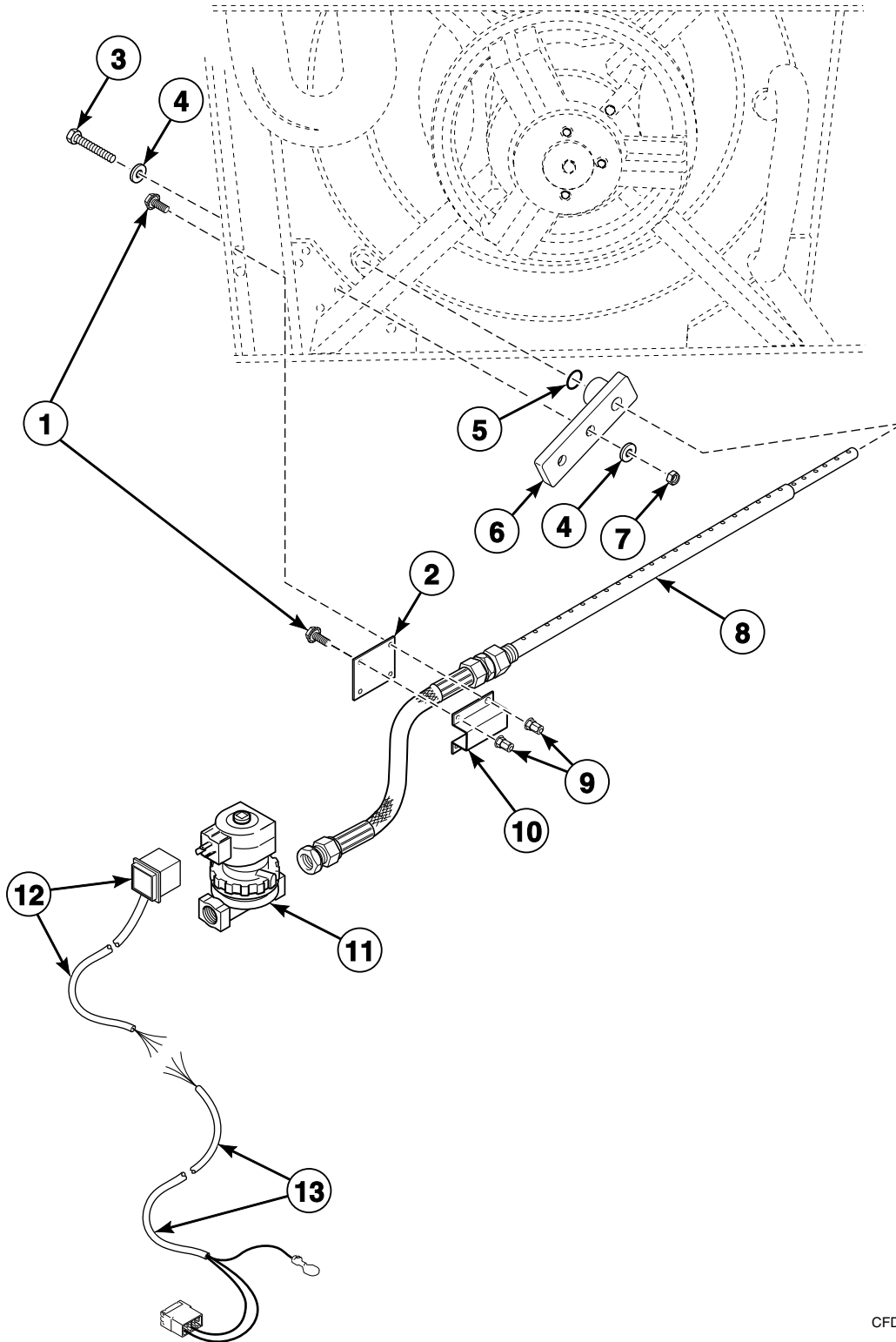


CFD84P_9001007

Electric Heating Option

REF	PART NO.	DESCRIPTION	COMMENTS
1	209/00562/20	Heating Element	
2	F360202	Heating Element Plug	

Steam Heating Option



CFD208P_9001007

Steam Heating Option

REF	PART NO.	DESCRIPTION	COMMENTS
	809P3	Steam Kit	Includes items 1, 2 and 8-13
1	9001310	Bolt	
2	9001687	Steam Injector Plate	
3	9001297	Bolt	Models starting 1/26/06
4	9001208	Washer	Models starting 1/26/06
5	223/00349/00	O-Ring	Models starting 1/26/06
6	153/00073/00	Bracket	Models starting 1/26/06
7	9001266	Nut	Models starting 1/26/06
8	9001685	Steam Injector	
9	9001311	Nut	
10	9001686	Steam Injector Bracket	
11	F380787P	Steam Valve	
12	F605220	Steam Valve Harness	
13	9001751	Main Control Heat Harness	

Parts Index

A

AC Drive Filter
209/00287/11 51

B

Back Cabinet Top
9001166 43

Back Panel
9001194 45

Backbridge
9001200 51
9001201 45, 47, 49

Basket
B12472401 23, 25

Basket Kit
B12543301 23

Bearing Cover Plate
9001175 15, 17, 21

Bearing Cover Plate Bushing
9001633 19, 23, 25

Bearing Housing Assembly
9001198 11, 13, 15, 21

Bearing Housing Cover
9001767 15, 17

Bearing Kit
3885P 21

Bearing Replacement Kit
894P3 15

Bearing Replacement Tool Kit
245/00054/00 15, 21

Bearing Spacer
B12360807 15, 21
9001654 15, 21

Belt
226/00155/00 23, 25

Blind Rivet
F8245101 33

Bolt

C000180 35, 37
C000430 33
C000561 35, 37
C001785 35, 37
205/00104/00 57
9001272 11, 13, 15, 17, 21
9001274 45, 49
9001275 41, 45, 55, 59
9001277 63
9001278 51
9001280 49
9001281 35, 37
9001282 33
9001283 27
9001284 27
9001287 29, 31
9001292 41, 49, 51
9001296 43
9001297 67
9001306 9

9001310 41, 43, 45, 51, 63, 67
9001314 11, 13
9001319 23, 25
9001557 9
9001619 27

Bracket
153/00073/00 67

Bushing
204/00301/00 57
9001271 55
9001635 23, 25

C

Conical Spacer
9001634 19, 23, 25

Connector
9001888 41

Connector to Inverter Harness
9001904 51

Contact Block
44018701 39
44018901 39

Contacto
9001358 41
9002066 41

Control Panel
9001203 39

Cooling Fan
9001375 27, 51

Cordlock
9001422 47
9001423 47
9001427 47
9001428 47

Counterweight
9001651 11, 13

Cylinder and Trunnion Assembly
B12394201 19

D

Diaphragm Kit
9001758 49

Display
209/00580/03 39

Door
153/00082/00 37
9001185 35

Door Assembly
9001646 35, 37

Door Front Panel
153/10113/00 13
9001207 11

Door Gasket
253/00162/01 35, 37

Door Glass
C000139 35

N/A items do not appear in index.

Door Glass Gasket C000140P	35
Door Glass Retainer 253/10128/00	37
9001731	35
Door Glass Seal 223/00346/00	37
Door Handle C001679P	35, 37
Door Handle Bushing C000181	35, 37
Door Handle Decal 9001742	11, 13
Door Handle Hinge Weldment C000470	35, 37
Door Handle Spring Bushing C000192	35, 37
Door Handle Torsion Spring C001786	35, 37
Door Latch C001244	33
Door Lock Catch C000185	33
Door Lock Cover C000688	33
Door Lock Harness C000867P	33
Door Lock Kit C001036M	33
Door Lock Microswitch C000278	33
Door Lock Plate C000684	33
Door Lock Slide Spring C000276	33
Door Lock Solenoid C000184P	33
Door Lock Solenoid Bracket C003022	33
Door Lock Spring Cover C000687	33
Door Lock Switch Slide C000271	33
Door Magnet Mounting Bracket C002994	37
Door Release Decal C000694	33
Drain Kit 831P3	31
Drain Pipe 9001518	29, 31
Drain Tub to Drain Valve Hose 9001525	29
Drain Valve 9001355	29, 31
9001361	31
Drain Valve Harness 210/01575/18	29, 31
Drain Valve Overflow Plug 9001503	29, 31
Drain Valve Plate Assembly 9001099	31

Drain Valve to Drain Pipe Hose 9001526	29, 31, 59
---	------------

E

Electrical Component Plate Assembly 9001740	41
Electrical Connection Cover 9001143	49
Electrical Connection Plate 9001902	51
Electrical Plate Cover 9001191	41
Exhaust Valve Hose 223/00170/00	31

F

Fan Grill 9001383	51
Filter 209/00385/00	49
209/00385/01	49
210/00027/UL00	51
9001898	51
9001899	51
Flat Cable 9001417	39
Frame 9001647	7
Front Cabinet Top 9001165	43
Front Left and Rear Right Side Panel 9001188	43, 45
Front Left Panel 9001684	43
Front Right and Rear Left Side Panel 9001186	43, 45
Front Right Panel 9001683	43
Front Shipping Brace 9001773	7
Fuse 9001384	41
Fuse Holder 9001364	41

G

Gasket 9001607	41
9001608	41, 43
Grease Ring Holder 253/00131/00	21
Grommet 9001530	41, 51
9001540	51
Ground Terminal Block 9001389	49
9001392	49
9001394	49

N/A items do not appear in index.

H

Heating Element	
209/00562/20	65
Heating Element Plug	
F360202	65
Hinge Block	
C000175	35, 37
Hinge Plate	
253/00176/50	35, 37
Hose Barb	
9001496	41
Hose Clamp	
F200205	49, 55
223/00010/00	57
9001492	41, 49, 59
9001493	31
9001494	29, 31
9001495	49, 59
9001502	29, 31, 59
9001546	29, 31
Hose Vent	
9001510	49

I

Inlet Valve Solenoid	
9001753	49
Inlet Valve, 1-Way	
9001359	49
Inlet Valve, 3-Way	
9001374	49
Inverter	
227/00232/00	53
9001582	53
Inverter Drive	
F8421113	53
F8421114	53
F8421115	53
F8421116	53
Inverter Drive Box	
9001058	51
Inverter Drive Retrofit Kit	
F8421013	53
F8421014	53
F8421015	53
F8421016	53
Inverter Fan	
9002036	53
Inverter Fan Cover	
9001162	51
Inverter to Motor Harness	
9002080	51

K

Key	
9001631	23, 25
Kickplate	
9001206	43

L

Leveling Leg	
9001621	11, 13
Lip Seal	
253/00182/00	21
Liquid Soap Manifold	
9001550	47, 59
Logo Decal	
9001890	39
Lower Back Panel	
9001196	45
Lower Support	
9001649	7
Lubricator	
212/00002/00	15, 21

M

Magnet	
F8390801	37
Main Control	
9002100	41
Main Control Heat Harness	
9001751	67
Main Switch	
209/00672/00	49
9001387	49
9001393	49
Micro to Connector Harness	
B12371101	51
9001905	51
Middle Back Panel	
9001195	45
Motor	
B12510801	27
Motor Plate	
9001161	27

N

Neutral Terminal Block	
9001388	49
9001391	49
Noise Filter	
227/00242/00	51
9001591	51
Noise Suppressor	
9001746	41
Nut	
C000560	35, 37
C000578	33
F431024	35, 37
F431026	35, 37
204/00009/00	57
204/00201/00	57
206/00101/00	57
685844	35, 37
9001249	29, 31
9001252	27, 41, 49, 63
9001253	39

N/A items do not appear in index.

9001254	45, 55, 63
9001255	9, 27
9001256	9
9001260	43, 45, 59
9001261	51
9001262	43
9001264	27
9001266	9, 11, 13, 27, 67
9001267	27, 51
9001269	39, 41
9001270	55
9001311	41, 55, 63, 67

O

O-Ring	
223/00349/00	67
9001549	35, 37
Out-of-Balance Switch	
9001369	63
Out-of-Balance Switch Boot	
9001766	41, 63
Overflow Hose	
9001532	29, 31
Overlay	
F8435601	39
F9001561	39
9001563	39

P

Parameter Unit Assembly	
F8410901	51
9001011	51
Plug	
9001420	47
Plumbing Assembly	
B12374001	61
Pop Rivet	
F431223	37
Pressure Hose	
223/00333/00	41
9001531	47
Pressure Switch	
9001351	41
Prewash and Mainwash Nozzle	
223/00001/04	57
9001487	55
Programming Cable	
9001418	39
Programming Key	
9001756	39
Programming Key Contact Switch	
9001378	39
Pulley	
253/00078/00	19, 23, 25
253/00079/00	27
9001629	19, 23, 25
9001637	27
Pulley Hub	
9001625	59
Pushbutton	
44018801	39

N/A items do not appear in index.

R

Rear Shipping Brace	
9001774	7
Reed Switch Assembly	
C003000	33
Retaining Ring	
9001645	15, 17, 21
Roller Bearing	
253/00155/00	15, 17, 21
253/00156/00	15, 17, 21

S

Screw	
C000612	33
C000614	33
207/00135/00	33, 41
280/00130/00	47
9001294	27
9001300	23, 25
9001315	27
9001322	27, 41
9001325	63
9001329	51
9001332	43
9001335	49, 55
9001339	43
9001341	55
9001661	43
9001670	43
9001675	11, 13
9001709	33
9001720	33
Seal	
B12378801	25
B12378901	25
Seal Wear Plate	
153/00121/00	21
Shock Absorber	
9001617	9
Side Panel Gasket	
9001606	45
Side Panel Support Assembly	
9001187	45
Soap Dispenser	
9001178	55
Soap Dispenser Cover	
9001176	55
Soap Dispenser Cover Handle	
9001490	55
Soap Dispenser Cover Handle Grommet	
9001489	55
Soap Dispenser Cover Plate	
9001177	55
Soap Dispenser Cup	
9001624	55
Soap Dispenser to Tub Hose	
223/00187/00	61
9001533	59
Soap Harness	
210/01304/07	41

Soap Injection PCB with Fuse 9001366	41
Spacer 9001659	39
Speed Detector 210/00075/00	15, 21
Speed Sensor Bracket 153/00041/01	15, 21
153/00041/11	15, 21
Spring C000431	33
Standoff 9001429	41
Steam Injector 9001685	67
Steam Injector Bracket 9001686	67
Steam Injector Plate 9001687	67
Steam Kit 809P3	67
Steam Valve F380787P	67
Steam Valve Harness F605220	67
Supply Dispenser Box 223/00345/01	57
Supply Dispenser Cover 153/00089/00	57
Supply Dispenser Handle 223/00392/00	57
Suspension Spring B12456301	9
Switch Base 9001356	39
Switch Bracket 9001163	49
9001164	49
Switch Knob 9002072	39

T

Thermostat 9001669	41
Thermostat Seal 9001564	41
Tilt Switch Bracket 9001041	63
T-Piece 253/00006/00	31
Transformer 9001986	51
Tub 9001183	11, 13
9001184	11, 13
Tub Back Plate 9001180	11, 13
9001182	11, 13
Tub Front 9001199	11, 13

Tub Gasket 223/00168/00	11, 13
----------------------------------	--------

U

Upper Support 9001652	7
--------------------------------	---

V

V-Belt 9001638	23, 25
Vent Hose 9001520	59
9001543	49
Voltage Discharge Decal B12355001	51
V-Ring Seal 253/00154/00	19, 23, 25
9001639	19, 23
9001640	19, 23
9001641	19, 23

W

Washer C000177	35, 37
C000571	33
201/00002/00	57
201/00202/00	15, 17, 21
20290	49
202/00101/00	57
203/00016/00	25
223/00001/07	57
803615	49
9001208	9, 11, 13, 27, 67
9001209	55
9001211	27
9001214	33, 41
9001215	27
9001217	27
9001224	23, 25
9001227	29, 31, 43
9001229	49
9001230	49, 55, 63
9001231	49, 55
9001233	11, 13
9001234	43
9001236	45, 59
9001238	27
9001239	15, 21
9001240	29, 31
9001241	41, 45, 49, 59
9001242	51
9001243	27, 41, 49, 51, 63
9001244	39, 41
9001345	43
9001488	55
9001523	39, 41
Water Hose F200164	49
F200166	49
223/00044/00	57

N/A items do not appear in index.

9001498	49, 55
9001500	49, 59
Water Inlet Grid	
223/00289/00	59, 61
Water Level Switch	
209/00029/00	41
Water Level Switch Hose Tee	
9001497	41
Water Valve Adapter	
223/00050/01	49

Y

Y Pipe	
9001626	59
9001630	59
