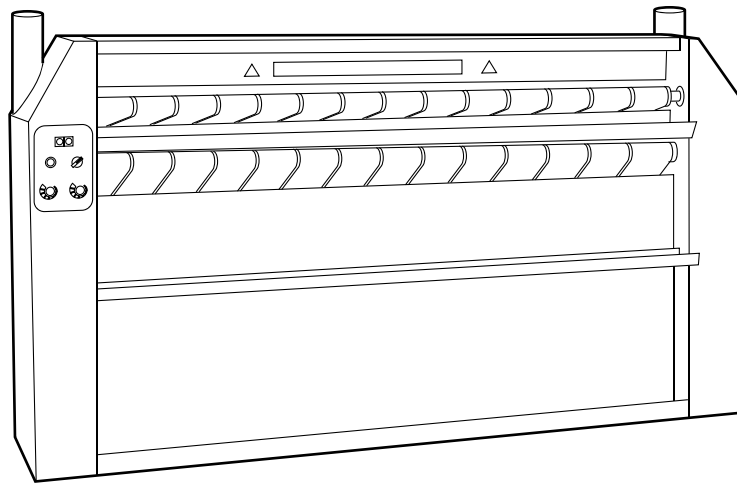


Roll Heated Flatwork Finisher

8 Inch (200 mm) Roll Heated Models

Refer to Page 3 for Model Numbers



FWF1N_1300575

Table of Contents

Title	Page
Parts Ordering Information.....	2
Serial Plate Location	2
Model Identification	3
Microprocessor Control Module	4
Electromechanical Control Module	6
Rolls	8
Main View	10
Heating Elements and Fan Motor	12
Labels	14
Parts Index.....	17

© Copyright 2011, Alliance Laundry Systems LLC

All rights reserved. No part of the contents of this book may be reproduced or transmitted in any form or by any means without the expressed written consent of the publisher.

Parts Ordering Information

If literature or replacement parts are required, contact the source from whom the machine was purchased or contact Alliance Laundry Systems at (920) 748-3950 for the name and address of the nearest authorized parts distributor.

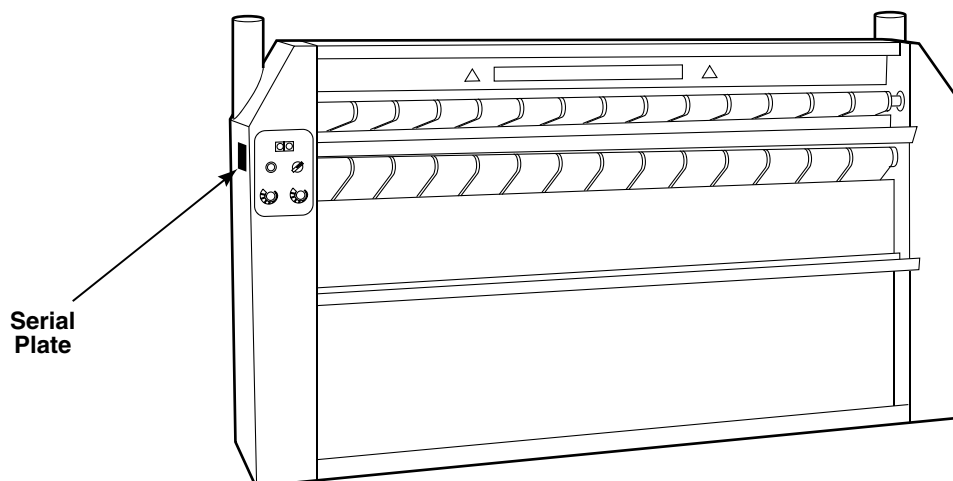
For technical assistance, call either of the numbers listed below:

(920) 748-3121 Ripon, Wisconsin

+32 56 41 20 54 Wevelgem, Belgium

Serial Plate Location

When calling or writing about your product, be sure to mention model and serial numbers. Model and serial numbers are located on serial plate(s) as shown.



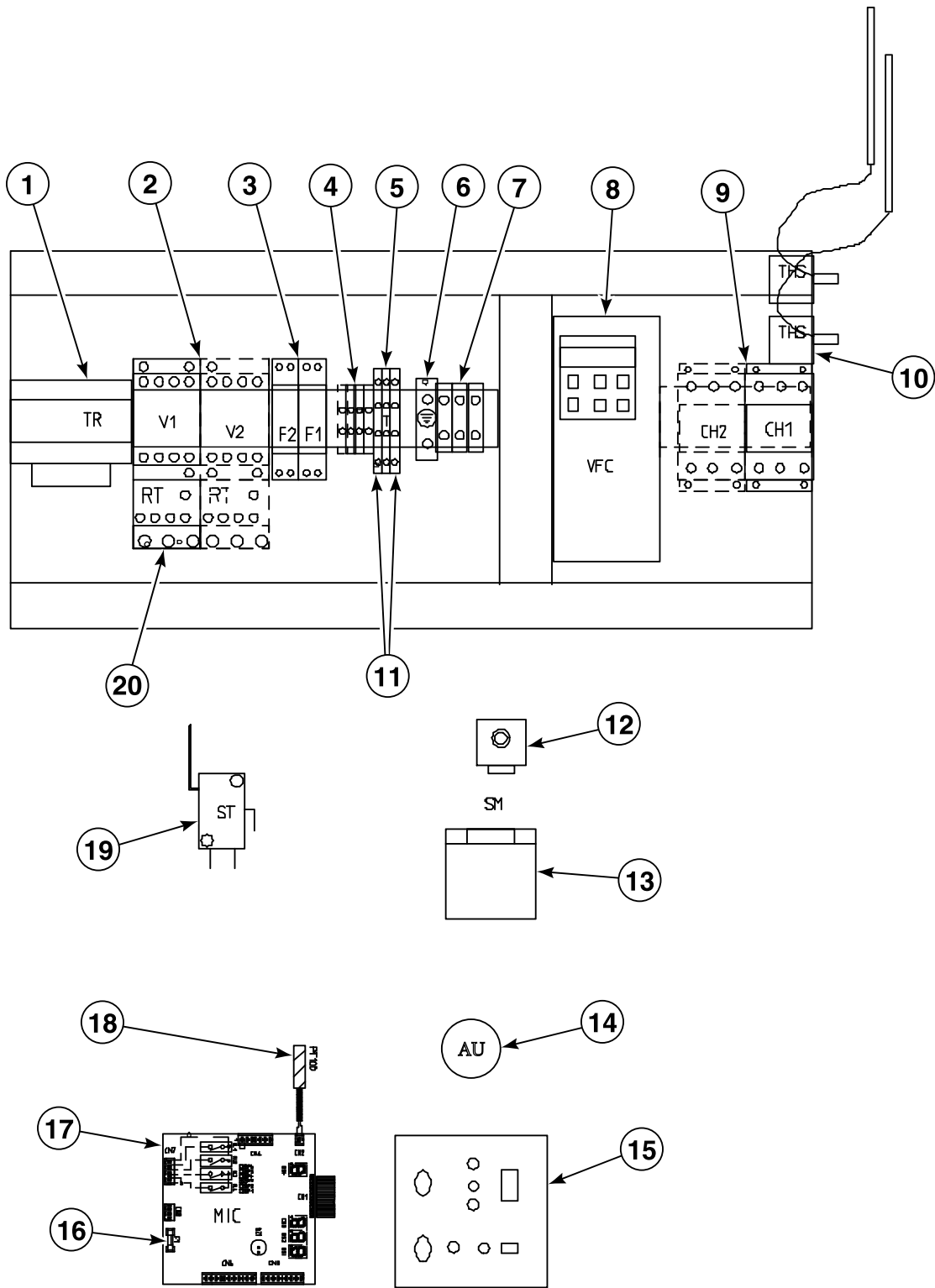
FWF2N_1300575

Model Identification

Information in this manual is applicable to these roll heated flatwork finisher models:

UD08F055

Microprocessor Control Module



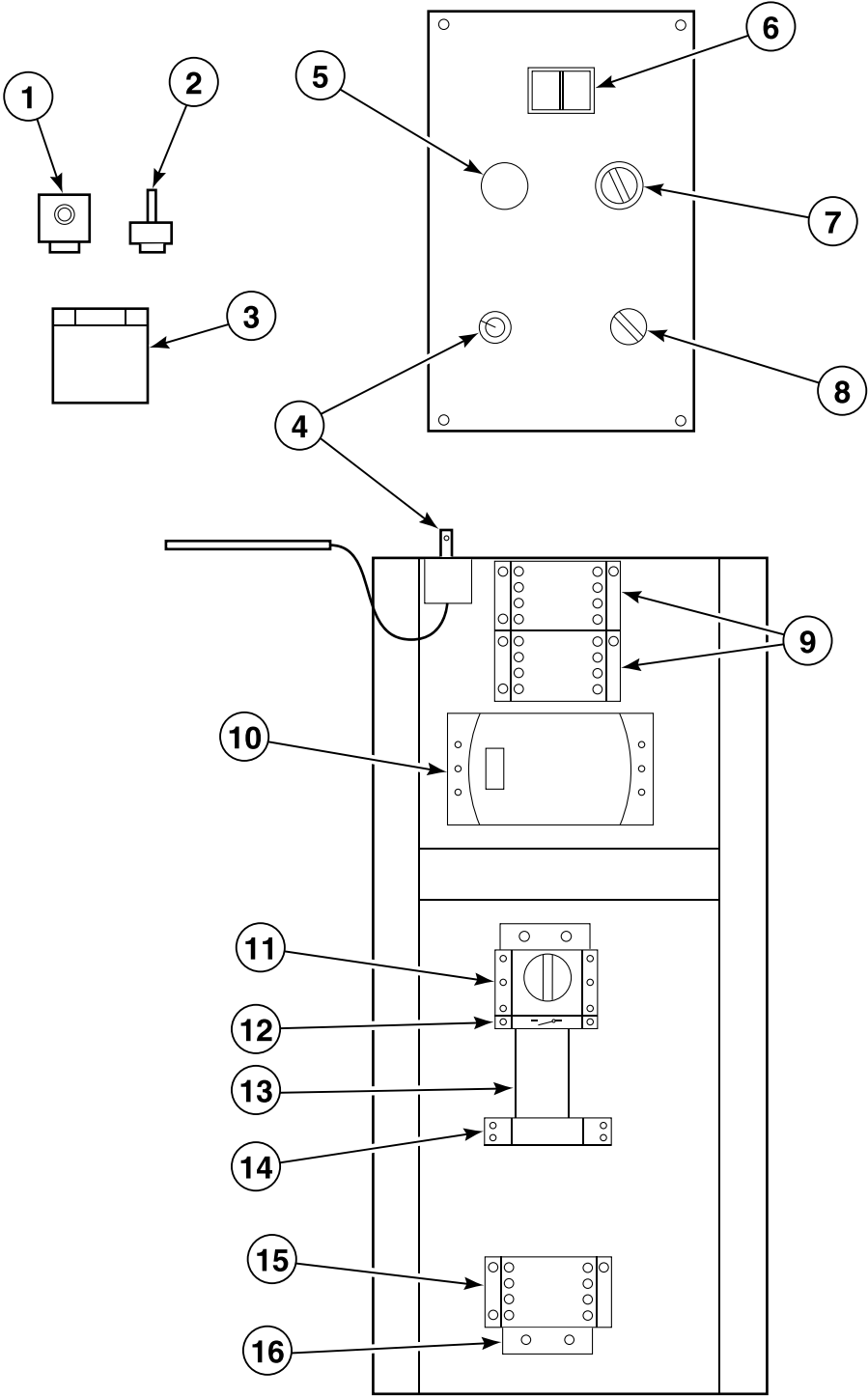
FWF133P_1300575

Microprocessor Control Module

REF	PART NO.	DESCRIPTION	COMMENTS
1	1300534P	Transformer	
2	1300014	Contactora	
3	1300529	Fuse Holder	
	1300531	Fuse	
4	1300021	Terminal Block	
5	1300555	Ground Terminal Block	
6	N/A	Ground Terminal Block	
7	N/A	Terminal Block	
8	N/A	Inverter Drive	
9	1300013	Heat Contactora	
10	1300079P	Thermostat	
11	1300557	Terminal Block	
12	1300044	Position Switch Head	
13	1300043	Position Switch Body	
14	44018701P	Emergency Stop Kit	Includes 44018701 Contact Block, 1300559 Emergency Switch and 44018801 Pushbutton
	44018701	Contact Block	
	1300559	Emergency Switch	
	44018801	Pushbutton	
15	1300526P	Control Panel	
16	1300547	Fuse	630 mA
17	1300527P	Printed Circuit Board	
18	1300565P	Temperature Sensor	Models starting 1/1/06
	N/A	Temperature Probe	Models through 12/31/05
19	1300521	Safety Microswitch	
20	1300010	Thermal Relay	

N/A = Part no longer available

Electromechanical Control Module



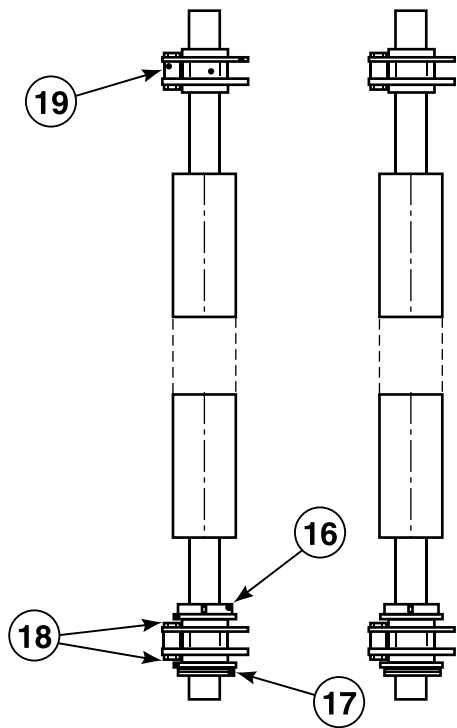
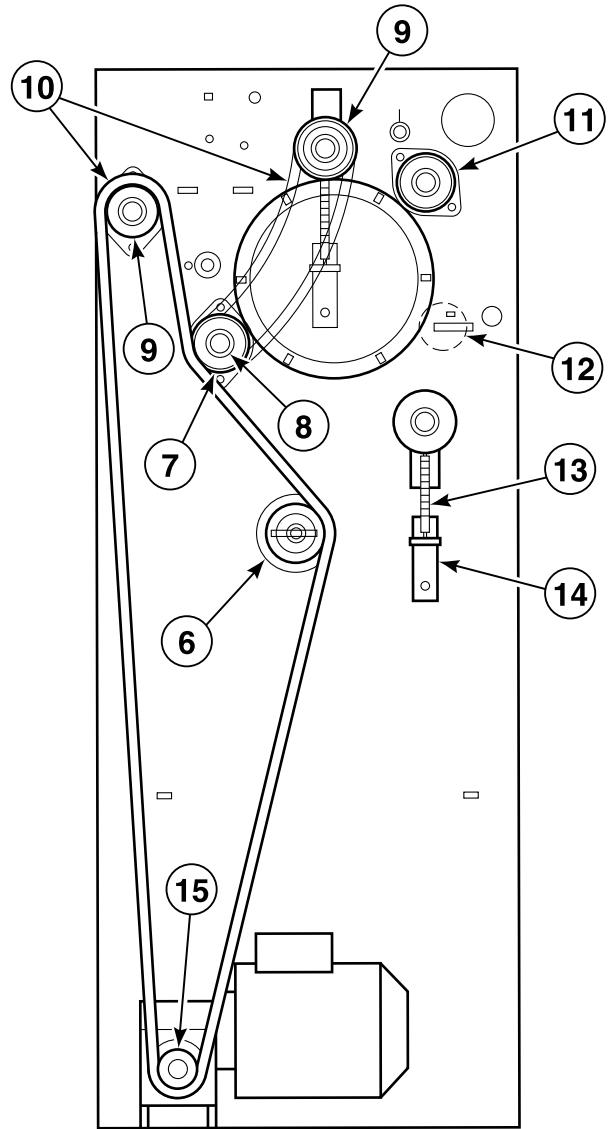
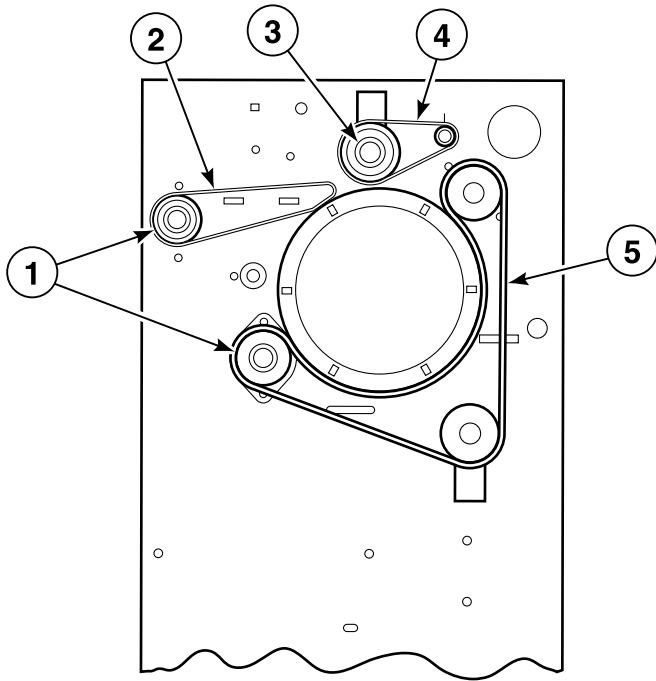
FWF12P_1300575

Electromechanical Control Module

REF	PART NO.	DESCRIPTION	COMMENTS
	1300885	Harness	CN7
1	1300044	Position Switch Head	
2	1300047	Finger Guard Head Switch	
3	1300043	Position Switch Body	
4	1300079P	Thermostat	
5	1300025	Heat Pilot Light	
6	44018701	Contact Block	
	1300039	Pushbutton Head	
7	1300041	Switch Body	
	1300040	Switch Head	
8	1300026	Speed Potentiometer	
9	1300013	Heat Contactor	
10	1300038	Inverter Drive	
11	1300049P	Main Switch Assembly	Complete (includes handle)
	1300051	Main Switch Body	
	1300048P	Main Switch	Switch only
12	1300050P	Neutral Terminal	
13	1300022	Terminal Block	
14	N/A	Fuse Holder	
	1300563	Fuse	
15	1300014	Contactor	
16	1300029	Ground Terminal	

N/A = Part no longer available

Rolls



FWF135P_1300575

Rolls

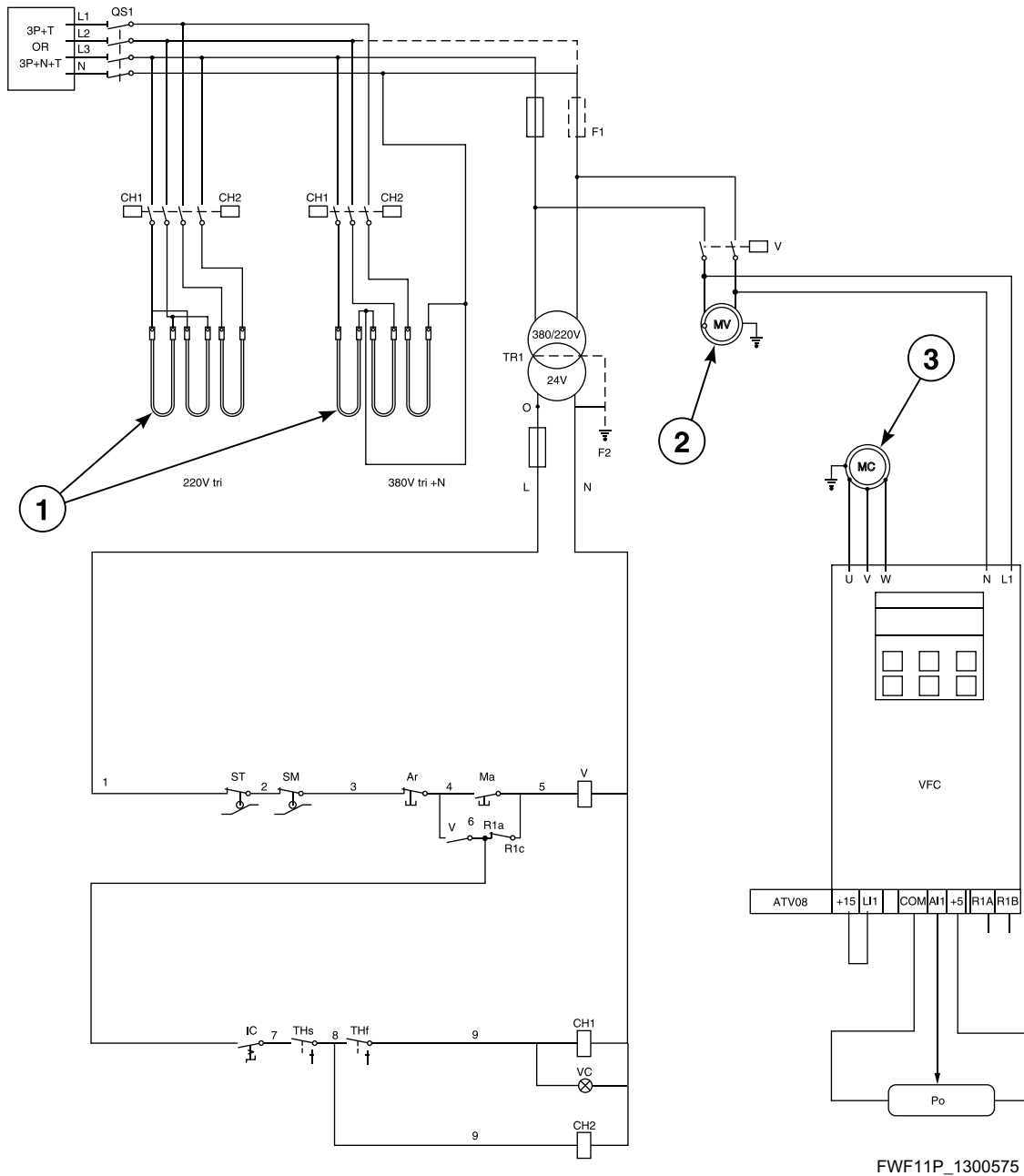
REF	PART NO.	DESCRIPTION	COMMENTS
1	1300162	Roll Tape	Sold per meter
2	1300160	Feed Ribbon	4x16; 12 required
3	1300198P	Press Roll Pad	
4	1300165	Guide Tape	Sold per meter
5	1300186	Ironing Ribbon	7 required
6	1300880	Idler Sprocket	
7	1300089	Drive Roll Sprocket	
8	1300090	Press Roll Sprocket	
9	1300091	Press Roll Sprocket	
10	1300097P	Drive Chain	
11	1300096P	Roll Bearing	Use M6 x 1 setscrews with bearing; Attach with M6 x 16 nut
12	1300082	Side Roller Shaft	
	1300081	Side Roll	
13	1300158	Tension Spring	
14	1300329	Tension Bracket	
15	1300549	Motor Pinion	
16	1300100	Collar	
17	1300157	Nut	
18	1300359	Washer	
19	1300092P	Tension Bearing	

Main View

REF	PART NO.	DESCRIPTION	COMMENTS
1	1300103	Crank Handle Pivot	
	N/A	Crank Handle Pivot	
2	N/A	Rear Panel	
3	N/A	Control Panel	
4	1300261P	Top Panel	
5	1300269	Blower Wheel	
6	1300094	Crank Handle	Models through 5/15/05
	1300114	Crank Handle	Models starting 5/15/05
7	N/A	Electrical Box	
8	N/A	Base	
9	N/A	Right Frame	
10	N/A	Left Side Panel	
11	1300176	Pick-Up Roll Roll Pin	
12	1300093	Pick-Up Roll End	
13	1300164	Clamp	
14	1300086	Pick Up Roll Shaft	
15	N/A	Roll	
16	1300163	Clamp	
17	1300102	Drive Roll Shaft	
18	1300168	Grease Fitting	
19	1300159	Drive Roll Roll Pin	
20	1300608	Sensor	
21	1300202	Sensor Spring	
22	1300220P	Textile Scraper	Includes 2 1300511 Pop Rivets; 12 required through 12/31/03, 6 required starting 1/1/04
23	1300104	Shaft	
24	1300268	Receiving Tray Bracket	
25	N/A	Receiving Tray	
26	N/A	Heated Roll	
27	1300361	Return Ribbon Roll	
28	N/A	Textile Scraper Rail	
29	N/A	Pick-Up Roll	
30	1300270	Bracket	
31	N/A	Right Side Panel	
32	N/A	Feed Board	
33	N/A	Left Frame	
34	1300181	Spring	
	1300087	Finger Guard Shaft	
	N/A	Plate	
35	N/A	Pressure Roll	
36	1300352	Ribbon Guide	
37	N/A	Heated Roll	
38	1300347	Feed Ribbon Guide	
39	1300265	Heating Element Clamp	
40	N/A	Heated Roll End	

N/A = Part no longer available

Heating Elements and Fan Motor



Heating Elements and Fan Motor

REF	PART NO.	DESCRIPTION	COMMENTS
1	1300078P	Heating Element	
	1300872	Heating Element	
2	1300027	Fan Motor	
3	1300881	Cylinder Motor	

Labels



FWF148P_1300575

Labels

REF	PART NO.	DESCRIPTION	COMMENTS
1	502511	Electrical Shock Label	
2	F200318200	Cover Decal	
3	M411815	Vent and Thimble Caution Label	
4	70360901	Belt Edging	
5	500316	Warning Label	
6	N/A	Hot Surface Warning Plate	
7	501140	Natural Gas Notice Label	
8	M412238	Rotating Warning Sticker	

N/A = Part no longer available

Parts Index

B

Belt Edging	
70360901	15
Blower Wheel	
1300269	11
Bracket	
1300270	11

C

Clamp	
1300163	11
1300164	11
Collar	
1300100	9
Contact Block	
44018701	5, 7
Contacto	
1300014	5, 7
Control Panel	
1300526P	5
Cover Decal	
F200318200	15
Crank Handle	
1300094	11
1300114	11
Crank Handle Pivot	
1300103	11
Cylinder Motor	
1300881	13

D

Drive Chain	
1300097P	9
Drive Roll Roll Pin	
1300159	11
Drive Roll Shaft	
1300102	11
Drive Roll Sprocket	
1300089	9

E

Electrical Shock Label	
502511	15
Emergency Stop Kit	
44018701P	5
Emergency Switch	
1300559	5

F

Fan Motor	
1300027	13

Feed Ribbon	
1300160	9
Feed Ribbon Guide	
1300347	11
Finger Guard Head Switch	
1300047	7
Finger Guard Shaft	
1300087	11
Fuse	
1300531	5
1300547	5
1300563	7
Fuse Holder	
1300529	5

G

Grease Fitting	
1300168	11
Ground Terminal	
1300029	7
Ground Terminal Block	
1300555	5
Guide Tape	
1300165	9

H

Harness	
1300885	7
Heat Contactor	
1300013	5, 7
Heat Pilot Light	
1300025	7
Heating Element	
1300078P	13
1300872	13
Heating Element Clamp	
1300265	11

I

Idler Sprocket	
1300880	9
Inverter Drive	
1300038	7
Ironing Ribbon	
1300186	9

M

Main Switch	
1300048P	7
Main Switch Assembly	
1300049P	7
Main Switch Body	
1300051	7

N/A items do not appear in index.

Motor Pinion 1300549	9
-------------------------------	---

N

Natural Gas Notice Label 501140	15
Neutral Terminal 1300050P	7
Nut 1300157	9

P

Pick Up Roll Shaft 1300086	11
Pick-Up Roll End 1300093	11
Pick-Up Roll Roll Pin 1300176	11
Position Switch Body 1300043	5, 7
Position Switch Head 1300044	5, 7
Press Roll Pad 1300198P	9
Press Roll Sprocket 1300090	9
1300091	9
Printed Circuit Board 1300527P	5
Pushbutton 44018801	5
Pushbutton Head 1300039	7

R

Receiving Tray Bracket 1300268	11
Return Ribbon Roll 1300361	11
Ribbon Guide 1300352	11
Roll Bearing 1300096P	9
Roll Tape 1300162	9
Rotating Warning Sticker M412238	15

S

Safety Microswitch 1300521	5
Sensor 1300608	11
Sensor Spring 1300202	11
Shaft 1300104	11

Side Roll 1300081	9
Side Roller Shaft 1300082	9
Speed Potentiometer 1300026	7
Spring 1300181	11
Switch Body 1300041	7
Switch Head 1300040	7

T

Temperature Sensor 1300565P	5
Tension Bearing 1300092P	9
Tension Bracket 1300329	9
Tension Spring 1300158	9
Terminal Block 1300021	5
1300022	7
1300557	5
Textile Scraper 1300220P	11
Thermal Relay 1300010	5
Thermostat 1300079P	5, 7
Top Panel 1300261P	11
Transformer 1300534P	5

V

Vent and Thimble Caution Label M411815	15
---	----

W

Warning Label 500316	15
Washer 1300359	9

N/A items do not appear in index.