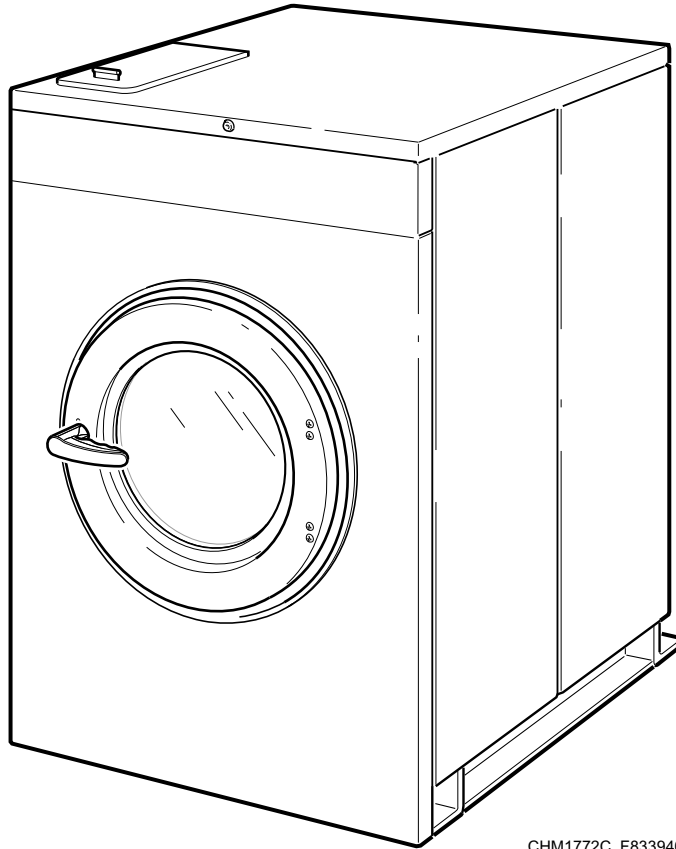


# Washer-Extractor

Cabinet Hardmount

Refer to Page 5 for Model Numbers



CHM1772C\_F8339401



# Table of Contents

Title	Page
Parts Ordering Information.....	3
Nameplate Location .....	3
Model Identification .....	5
Product Overview for M9, M30, Galaxy 400, Galaxy 600, Quantum Silver and Quantum Gold .....	6
Product Overview for M4, Galaxy 200 and Quantum Standard.....	8
Decals .....	10
Control Module - 2 Speed Models .....	12
Control Module - Design 1 F and V-Speed Models .....	14
Control Module - Design 2 and 3 Models (Drawing 1 of 2) .....	16
Control Module - Design 2 and 3 Models (Drawing 2 of 2) .....	18
Network Controls - WC, WD, WE, WL and WY Models.....	20
Flush Mount Coin Meter Assembly - Single Drop .....	22
Flush Mount Coin Meter Assembly - Dual Drop.....	24
Electronic Coin Meter Assembly .....	26
Card Reader - LY and WY Models .....	28
Optional Coin Box .....	30
Front Panels and Control Panel.....	32
Control Panel Overlays .....	34
Panels (Drawing 1 of 2) .....	36
Panels (Drawing 2 of 2) .....	38
Door .....	40
Door Lock.....	42
Basket, Shell, Frame and Trunnion - Design 1 Models (Drawing 1 of 3).....	44
Basket, Shell, Frame and Trunnion - Design 1 Models (Drawing 2 of 3).....	46
Basket, Shell, Frame and Trunnion - Design 1 Models (Drawing 3 of 3).....	48
Basket, Shell, Frame and Trunnion - Design 2 and 3 Models (Drawing 1 of 3) .....	50
Basket, Shell, Frame and Trunnion - Design 2 and 3 Models (Drawing 2 of 3).....	52
Basket, Shell, Frame and Trunnion - Design 2 and 3 Models (Drawing 3 of 3).....	54
Drain Plumbing - Design 1 Models .....	56
Drain Plumbing - Design 2 and 3 Models .....	58
Drain Valve Assembly - 20 and 30 Pound Models.....	60
Drain Valve Assembly - 40 and 60 Pound Models.....	62
Steam Filter (Optional) and Water Supply Hose.....	64
Fill Plumbing Assembly (Drawing 1 of 2) .....	66
Fill Plumbing Assembly (Drawing 2 of 2) .....	68
Pulley and Belt - Design 1 Models (Drawing 1 of 3).....	70
Pulley and Belt - Design 1 Models (Drawing 2 of 3).....	72
Pulley and Belt - Design 1 Models (Drawing 3 of 3).....	74
Pulley and Belt - Design 2 and 3 Models (Drawing 1 of 2).....	76
Pulley and Belt - Design 2 and 3 Models (Drawing 2 of 2).....	78
Motor - Design 1 Models .....	80

© Copyright 2013, Alliance Laundry Systems LLC

All rights reserved. No part of the contents of this book may be reproduced or transmitted in any form or by any means without the expressed written consent of the publisher.

Motor - Design 2 and 3 Models .....	82
Steam Heat Option .....	84
Electric Heat Option .....	86
Parts Index .....	89

# Parts Ordering Information

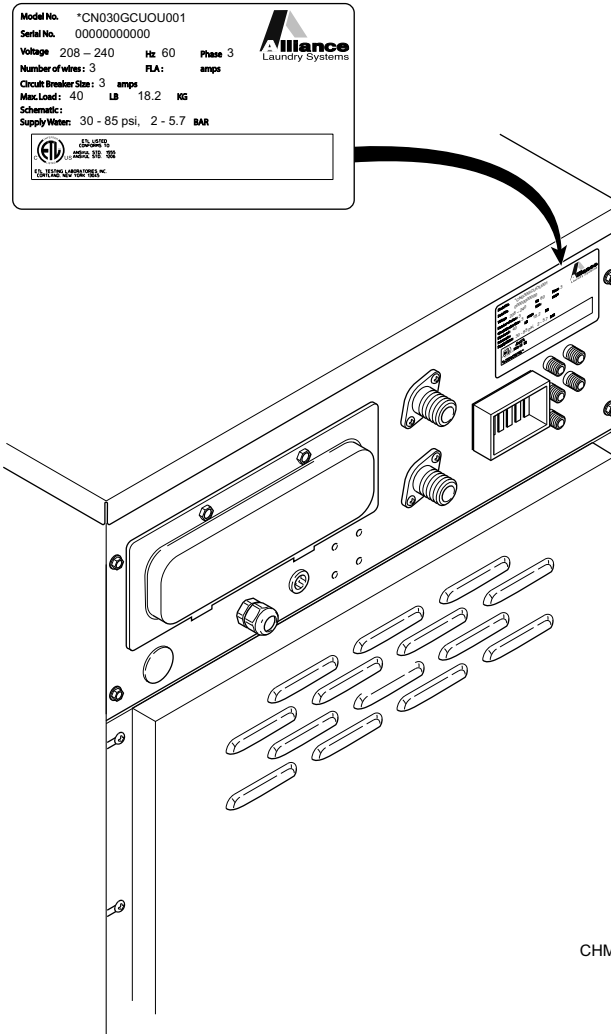
If literature or replacement parts are required, contact the source from whom the machine was purchased or contact Alliance Laundry Systems at (920) 748-3950 for the name and address of the nearest authorized parts distributor.

For technical assistance, call either of the numbers listed below:

(920) 748-3121 Ripon, Wisconsin  
+32 56 41 20 54 Wevelgem, Belgium

# Nameplate Location

When calling or writing about your product, be sure to mention model and serial numbers. Model and serial numbers are located on nameplate(s) as shown.



CHM3025P\_F8339401



## Model Identification

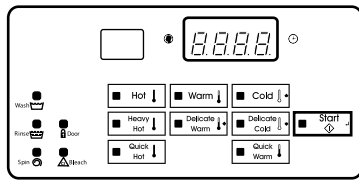
Information in this manual is applicable to these washer-extractor models:

HCD020LC2	SCL060LE2	SCN040LC2	SCU020LC2	SCU040LC2
HCD020LD2	SCL060LEV	SCN040LCF	SCU020LCV	SCU040LCV
HCD020LDV	SCL060LLF	SCN040LCV	SCU020LD2	SCU040LD2
HCD030LD2	SCL060WEF	SCN040LD2	SCU020LDV	SCU040LDV
HCD030LDF	SCL060WXF	SCN040LDF	SCU020LE2	SCU040LE2
HCD030LDV	SCL060WYV	SCN040LDV	SCU020LEV	SCU040LEV
HCD040LD2	SCN020LC2	SCN040LE2	SCU020LX2	SCU040LX2
HCD040LDF	SCN020LCF	SCN040LEF	SCU020LXV	SCU040LXV
HCD060LD2	SCN020LCV	SCN040LEV	SCU020LY2	SCU040LY2
HCD060LDF	SCN020LD2	SCN040LLF	SCU020LYV	SCU040LYV
HCL020LD2	SCN020LDF	SCN040LY2	SCU020WC2	SCU040WC2
SCD030LD2	SCN020LEV	SCN040LYF	SCU020WCV	SCU040WCV
SCD040LD2	SCN020LX2	SCN040LYV	SCU020WD2	SCU040WD2
SCD060LD2	SCN020LY2	SCN040WC2	SCU020WDV	SCU040WDV
SCL020LCF	SCN020LYF	SCN040WCF	SCU020WE2	SCU040WE2
SCL020LDF	SCN020LYV	SCN040WCV	SCU020WEV	SCU040WEV
SCL020LEV	SCN020WC2	SCN040WD2	SCU020WX2	SCU040WX2
SCL020LXF	SCN020WCF	SCN040WDF	SCU020WXV	SCU040WXV
SCL020LY2	SCN020WCV	SCN040WDV	SCU020WY2	SCU040WY2
SCL020LYF	SCN020WD2	SCN040WE2	SCU020WYV	SCU040WYV
SCL020WEV	SCN020WDV	SCN040WEF	SCU030LC2	SCU060LC2
SCL020WXF	SCN020WEF	SCN040WEV	SCU030LCV	SCU060LCV
SCL020WYV	SCN020WEV	SCN040WX2	SCU030LD2	SCU060LD2
SCL030LCV	SCN020WY2	SCN040WY2	SCU030LDV	SCU060LDV
SCL030LD2	SCN020WYF	SCN040WYF	SCU030LE2	SCU060LE2
SCL030LEV	SCN020WYV	SCN040WYV	SCU030LEV	SCU060LEV
SCL030LXF	SCN030LC2	SCN060LC2	SCU030LX2	SCU060LX2
SCL030WC2	SCN030LCF	SCN060LCF	SCU030LXV	SCU060LXV
SCL030WCF	SCN030LCV	SCN060LCV	SCU030LY2	SCU060LY2
SCL030WCV	SCN030LD2	SCN060LD2	SCU030LYV	SCU060LYV
SCL030WEV	SCN030LDV	SCN060LDF	SCU030WC2	SCU060WC2
SCL030WXF	SCN030LE2	SCN060LDV	SCU030WCV	SCU060WCV
SCL030WYV	SCN030LEV	SCN060LE2	SCU030WD2	SCU060WD2
SCL040LCF	SCN030LXF	SCN060LEF	SCU030WDV	SCU060WDV
SCL040LE2	SCN030LY2	SCN060LEV	SCU030WE2	SCU060WE2
SCL040LEV	SCN030LYF	SCN060LXF	SCU030WEV	SCU060WEV
SCL040LLF	SCN030LYV	SCN060LY2	SCU030WX2	SCU060WX2
SCL040LXF	SCN030WC2	SCN060LYF	SCU030WXV	SCU060WXV
SCL040LYF	SCN030WCF	SCN060LYV	SCU030WY2	SCU060WY2
SCL040WC2	SCN030WCV	SCN060WC2	SCU030WYV	SCU060WYV
SCL040WCF	SCN030WD2	SCN060WCF		
SCL040WEV	SCN030WDV	SCN060WCV		
SCL040WLV	SCN030WEV	SCN060WD2		
SCL040WXF	SCN030WLV	SCN060WDF		
SCL040WXV	SCN030WX2	SCN060WDV		
SCL040WYV	SCN030WY2	SCN060WEF		
	SCN030WYF	SCN060WEV		
	SCN030WYV	SCN060WY2		
		SCN060WYF		
		SCN060WYV		

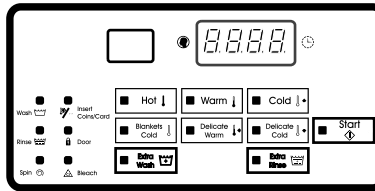
# Product Overview for M9, M30, Galaxy 400, Galaxy 600, Quantum Silver and Quantum Gold

Model No. \*CNO30GC2U0U001  
 Serial No. 0000000000  
 Voltage 208 – 240 Hz 60 Phase 3  
 Number of wires : 3 FLA: amps  
 Circuit Breaker Size : 3 amps  
 Max. Load : 40 LB 18.2 KG  
 Schematic:  
 Supply Water: 30 - 85 psi, 2 - 5.7 BAR

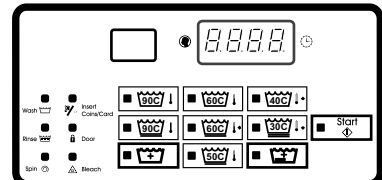
ETL LISTED  
 CONFORMS TO  
 ANSI/UL STD. 1505  
 U.S. ANSI/UL STD. 1006  
 ETL TESTING LABORATORIES INC.  
 CORTLAND, NEW YORK 13045



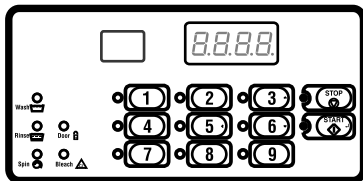
Galaxy 400 Coin



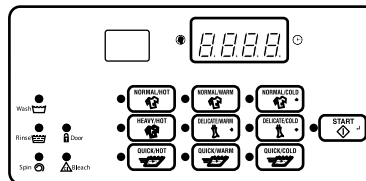
Galaxy 600 Coin (Domestic)



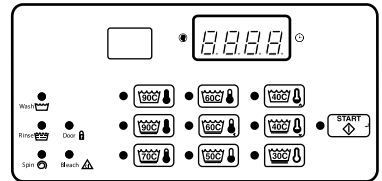
Galaxy 600 Coin (International)



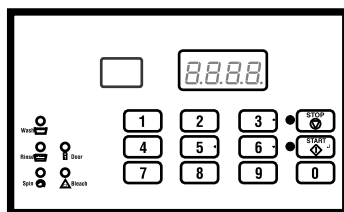
M9/Galaxy 400 OPL/Quantum Silver OPL



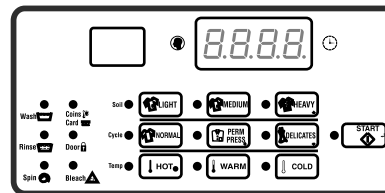
Quantum Silver Coin (Domestic)



Quantum Silver Coin (International)



M30/Quantum Gold OPL



Quantum Gold

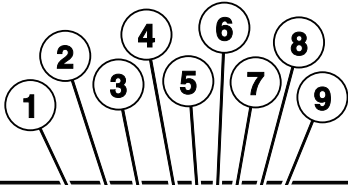
CHM3217P\_F8339401



## Product Overview for M9, M30, Galaxy 400, Galaxy 600, Quantum Silver and Quantum Gold

REF	PART NO.	DESCRIPTION	COMMENTS
1	-	Product Family	HC NC SC UC
2	-	Market	D (Daiwa) L (International ETL(c)) N (Domestic ETL(c)) U (International CE) Z (No Agency International)
3	-	Capacity (Pounds)	020 030 040 060 080 100 125
4	-	Control	G H J K L W
5	-	Actuation	C (Drop Coin Meter) D (Digital Coin Meter) E (Electronic World Drop) L (Prep for Remote/Central Pay) N (Non-Coin OPL) X (Prep for Coin Meter) Y (Prep for Card Reader)
6	-	Speed	2 (2 Speed) F (F-Speed) V (V-Speed)
7	-	Voltage	B (120/60/1/2) C (380-415/50/3/4) F (440-480/60/3/3) J (200/50/3/3) N (440-480/50/60/3) O (208/220-240/60/3/3) P (380-415/50/60/3) Q (200-208/220-240/50/60/3) R (380-415/440-480/50/60/3) X (200-208/220-240/50/60/1/3) Y (208/220-240/60/1/2)
8	-	Side Panel	U (Standard) 1 (Stainless Steel)
9	-	Design	1 2 3

# Product Overview for M4, Galaxy 200 and Quantum Standard

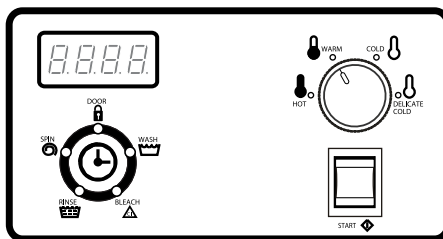


Model No. \*CN030GC2U0U001  
 Serial No. 0000000000

Voltage 208 – 240 Hz 60 Phase 3  
 Number of wires : 3 FLA: amps  
 Circuit Breaker Size: 3 amps  
 Max. Load : 40 LB 18.2 KG  
 Schematic :  
 Supply Water: 30 - 85 psi, 2 - 5.7 BAR

**Alliance**  
 Laundry Systems

ETL LISTED  
 CONFORMS TO  
 ANSIVUL STD. 1555  
 U.S. ANSIVUL STD. 1206  
 ETL TESTING LABORATORIES, INC.  
 CORTLAND, NEW YORK, 13045



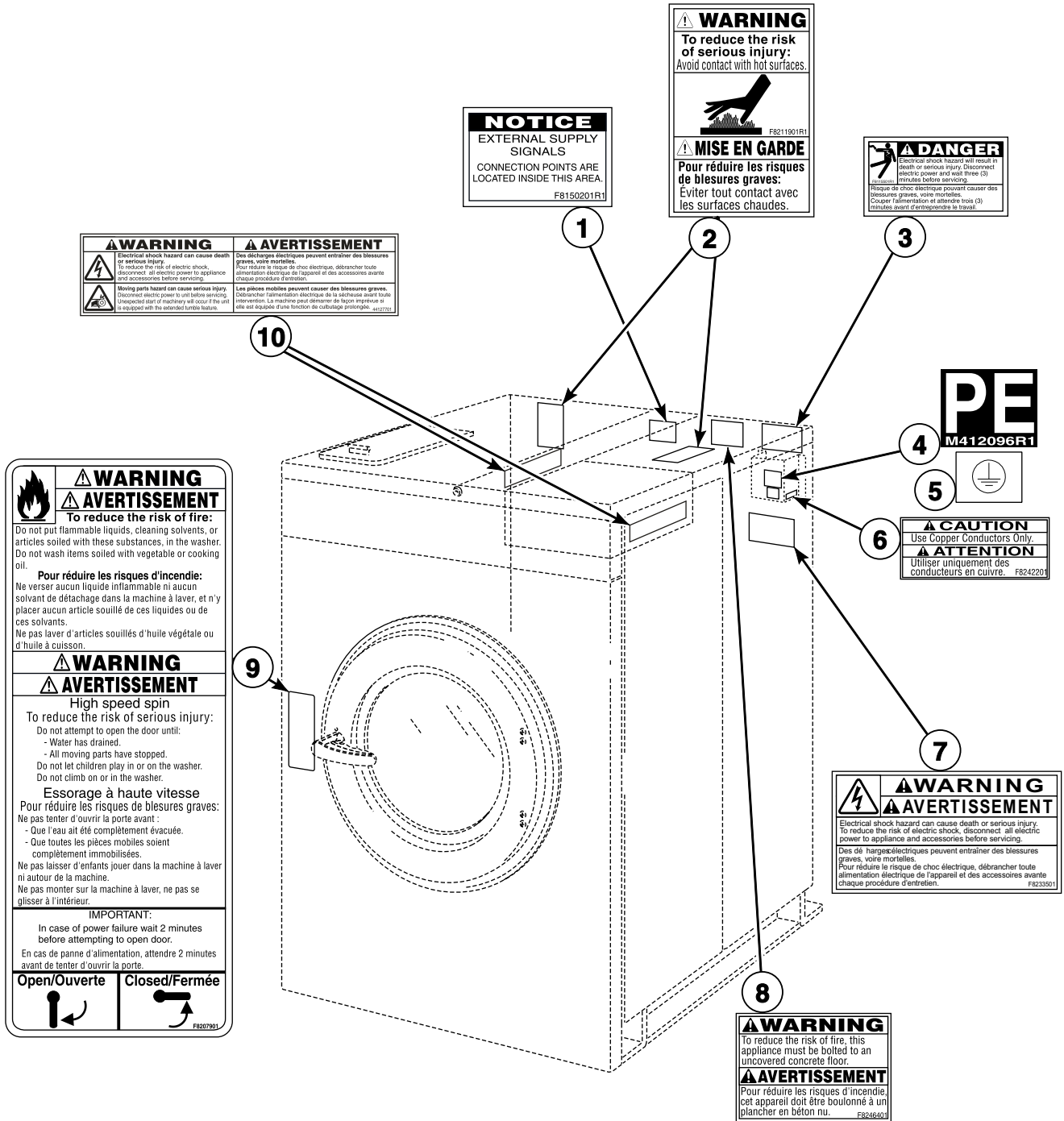
M4/Galaxy 200/Quantum Standard

CHM3218P\_F8339401

# Product Overview for M4, Galaxy 200 and Quantum Standard

REF	PART NO.	DESCRIPTION	COMMENTS
1	-	Product Family	HC NC SC UC
2	-	Market	D (Daiwa) L (International ETL(c)) N (Domestic ETL(c)) U (International CE) Z (No Agency International)
3	-	Capacity (Pounds)	020 030 040 060 080 100 125
4	-	Control	G H J K L W
5	-	Actuation	C (Drop Coin Meter) D (Digital Coin Meter) E (Electronic World Drop) L (Prep for Remote/Central Pay) N (Non-Coin OPL) X (Prep for Coin Meter) Y (Prep for Card Reader)
6	-	Speed	2 (2 Speed) F (F-Speed) V (V-Speed)
7	-	Voltage	B (120/60/1/2) C (380-415/50/3/4) F (440-480/60/3/3) J (200/50/3/3) N (440-480/50/60/3) O (208/220-240/60/3/3) P (380-415/50/60/3) Q (200-208/220-240/50/60/3) R (380-415/440-480/50/60/3) X (200-208/220-240/50/60/1/3) Y (208/220-240/60/1/2)
8	-	Side Panel	U (Standard) 1 (Stainless Steel)
9	-	Design	1 2 3

# Decals

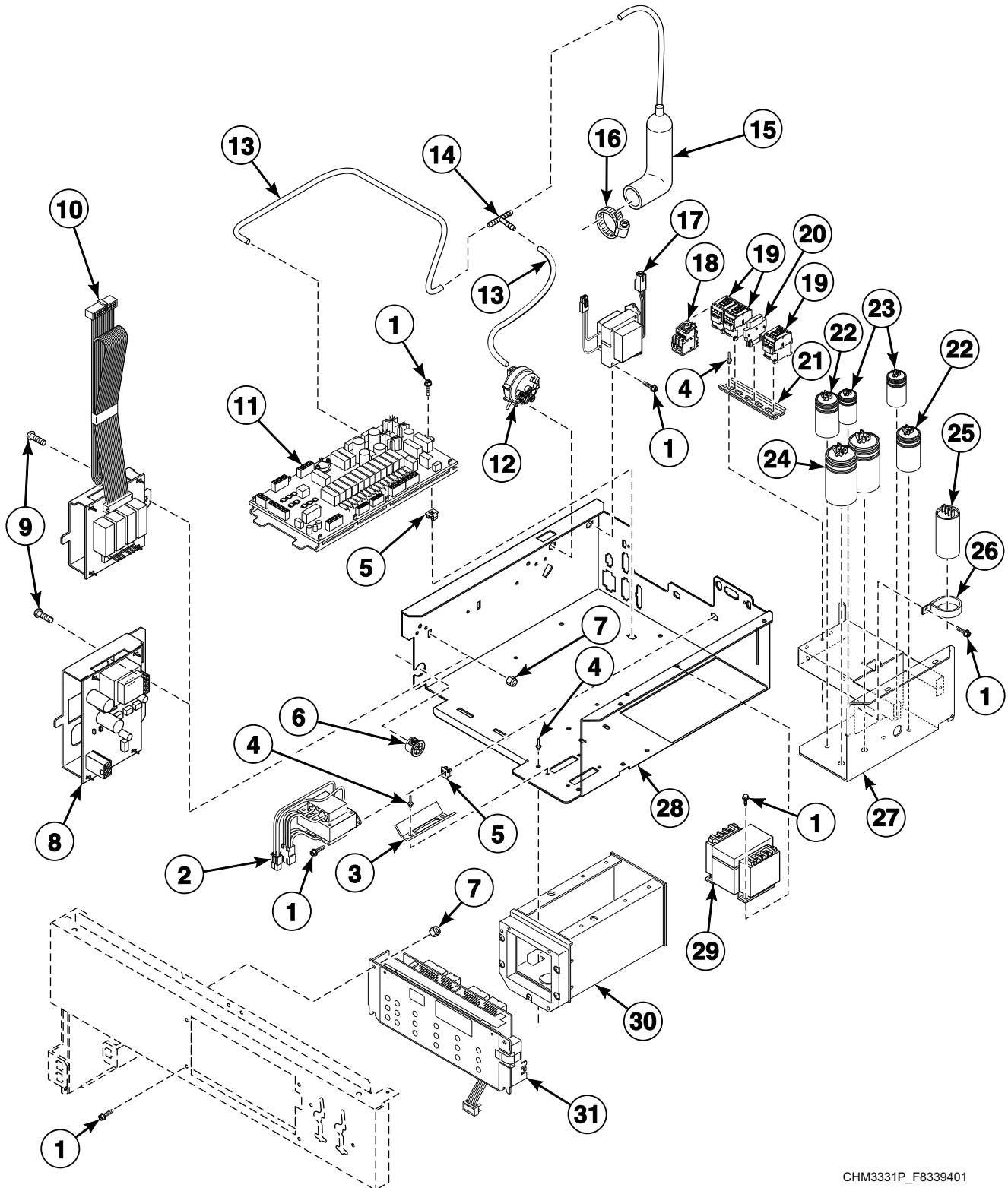


CHM3027P\_F8339401

# Decals

REF	PART NO.	DESCRIPTION	COMMENTS
1	F8150201	External Supply Connection Decal	
2	F8211901	Hot Surface Warning Plate	
3	F8115501	Electric Shock Danger Label	
4	M412096	Earth Terminal Sticker	
5	F230739	Ground Decal	
6	F8242201	Use Copper Conductors Only Caution Label	
7	F8233501	Warning Label	
8	F8246401	Mount On Concrete Warning Label	
9	F8207901	Warning Label	
10	44127701	Warning Label	

# Control Module - 2 Speed Models

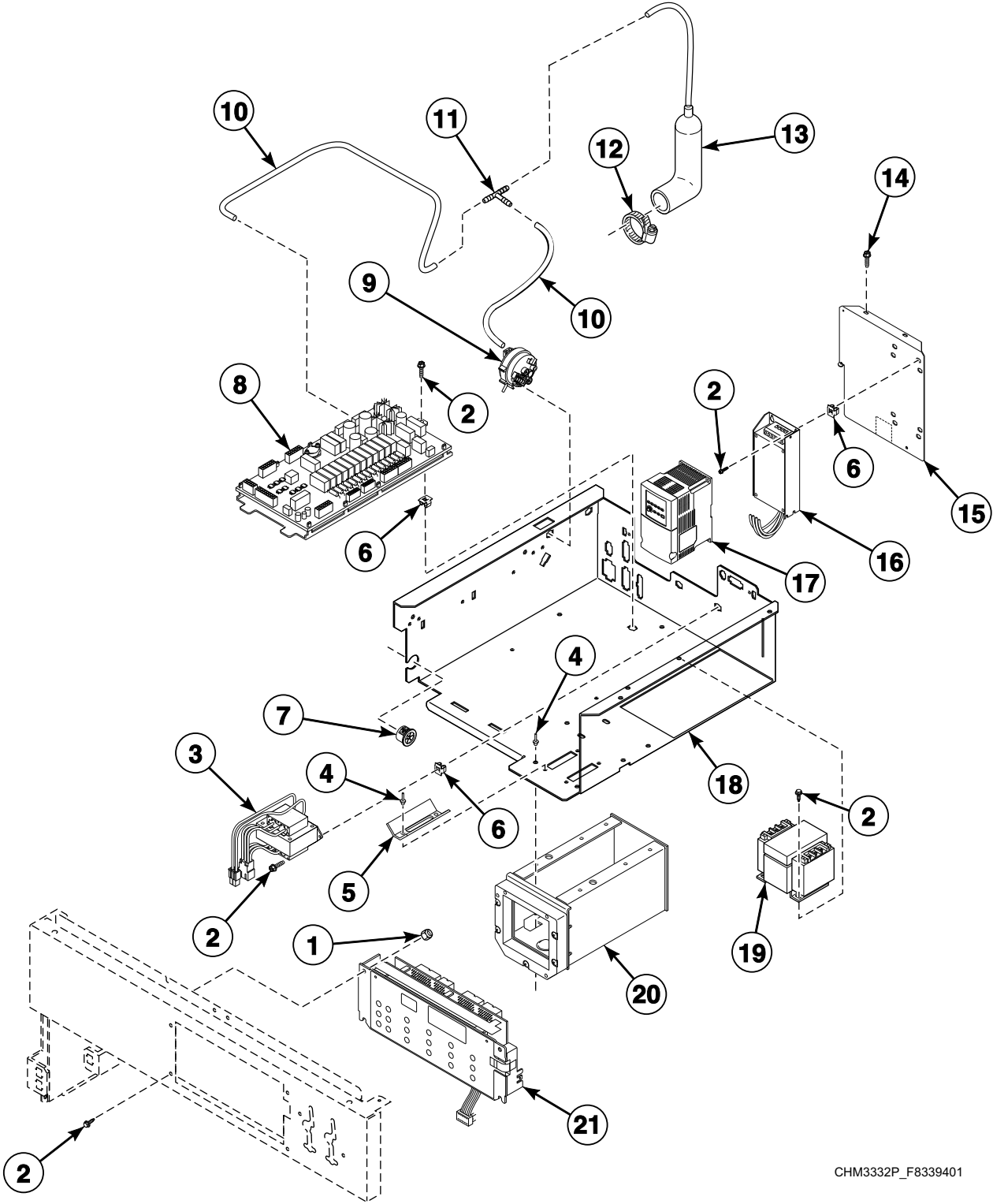


CHM3331P\_F8339401

## Control Module - 2 Speed Models

REF	PART NO.	DESCRIPTION	COMMENTS
	F8028701	Output/Logic Harness	
	F8167901	USB IR Device Assembly	
	F8191201P	External Supply Harness	
	F937P3	External Supply Kit	Includes items 1, 10, 24, F8191201P External Supply Harness and screws
	F8028101P	Machine Size Configuration Harness	20 pound models
	F8028103P	Machine Size Configuration Harness	30 pound models
	F8028104P	Machine Size Configuration Harness	40 pound models
	F8028105P	Machine Size Configuration Harness	60 pound models
	F8261501P	Control Tray Harness	
	M413506	Jumper Harness Assembly	208 Volt
	M413507	Jumper Configuration Assembly	240 Volt
	F8028105P	Machine Size Configuration Harness	60 pound models
<b>1</b>	F8206901	Screw	
<b>2</b>	803527P	Transformer	
<b>3</b>	F8170801	Coin Chute	
<b>4</b>	70058501	Pop Rivet	
<b>5</b>	70030501	Expansion Clip	
<b>6</b>	44071501	Snap Bushing	
<b>7</b>	F430232	Nut	
<b>8</b>	201341	Network Board Assembly	Network models
<b>9</b>	F430903	Screw	
<b>10</b>	F8189401	Auxiliary Control Assembly	HCD and SCD models
<b>11</b>	F980P3	Control Assembly Kit	Includes item 14 and F8108001 Output Assembly
	802493	Fuse	2.5 Amp
<b>12</b>	F8223001P	Water Pressure Switch	
<b>13</b>	F8153901	Tubing	
<b>14</b>	F8246601	Tee	Electric and steam heat
	F8431001	Hose Barb Connector	All other models
<b>15</b>	F020014200	Air Trap Hose	
<b>16</b>	F200222	Hose Clamp	No. 12
<b>17</b>	201616	Transformer	External supply
<b>18</b>	F8176101P	Overload Contactor	
<b>19</b>	F330177P	Contactora	
<b>20</b>	F330186P	Interlock Contactora	
<b>21</b>	F8200101	DIN Rail	
<b>22</b>	F8411901	Capacitor	50 MFD; 20 pound models Y-voltage, 1 used; 40 pound models Y-voltage, 2 used
	F370221	Capacitor	100 MFD; 20 pound models B-voltage, 1 used
<b>23</b>	F8411701	Capacitor	20 MFD; 30 pound models Y-voltage, 4 used; 40 pound models Y-voltage, 2 used
	F8411801	Capacitor	25 MFD; 20 pound models Y-voltage, 2 used
<b>24</b>	F370220	Capacitor	130 MFD; 20 pound models B-voltage, 2 used; 30 pound models Y-voltage, 1 used
	F370218P	Capacitor	160 MFD; 40 pound models Y-voltage, 2 used
<b>25</b>	F340002	Motor Switch	50 Amp
<b>26</b>	F0340722-00	Switch Clamp	
<b>27</b>	F8199601	Capacitor Tray Assembly	20 pound models; B and Y-voltage
	F8199901	Capacitor Tray Assembly	30 and 40 pound models; Y-voltage
	F8343401	Contactora Tray Assembly	C, F, J and O-voltage
<b>28</b>	F8205902	Control Tray Assembly	20 and 30 pound models; Includes items 3 and 30
	F8205903	Control Tray Assembly	40 and 60 pound models; Includes items 3 and 30
<b>29</b>	F360157P	Transformer	B-voltage
<b>30</b>	F8182501	Coin Vault Assembly	20 and 30 pound models with LC, LD, LE, LX, WC, WD, WE and WX in the 7th and 8th position in the model number
	F8182601	Coin Vault Assembly	40 and 60 pound models with LC, LD, LE, LX, WC, WD, WE and WX in the 7th and 8th position in the model number
<b>31</b>	F985P3	Front End Control Kit	

# Control Module - Design 1 F and V-Speed Models



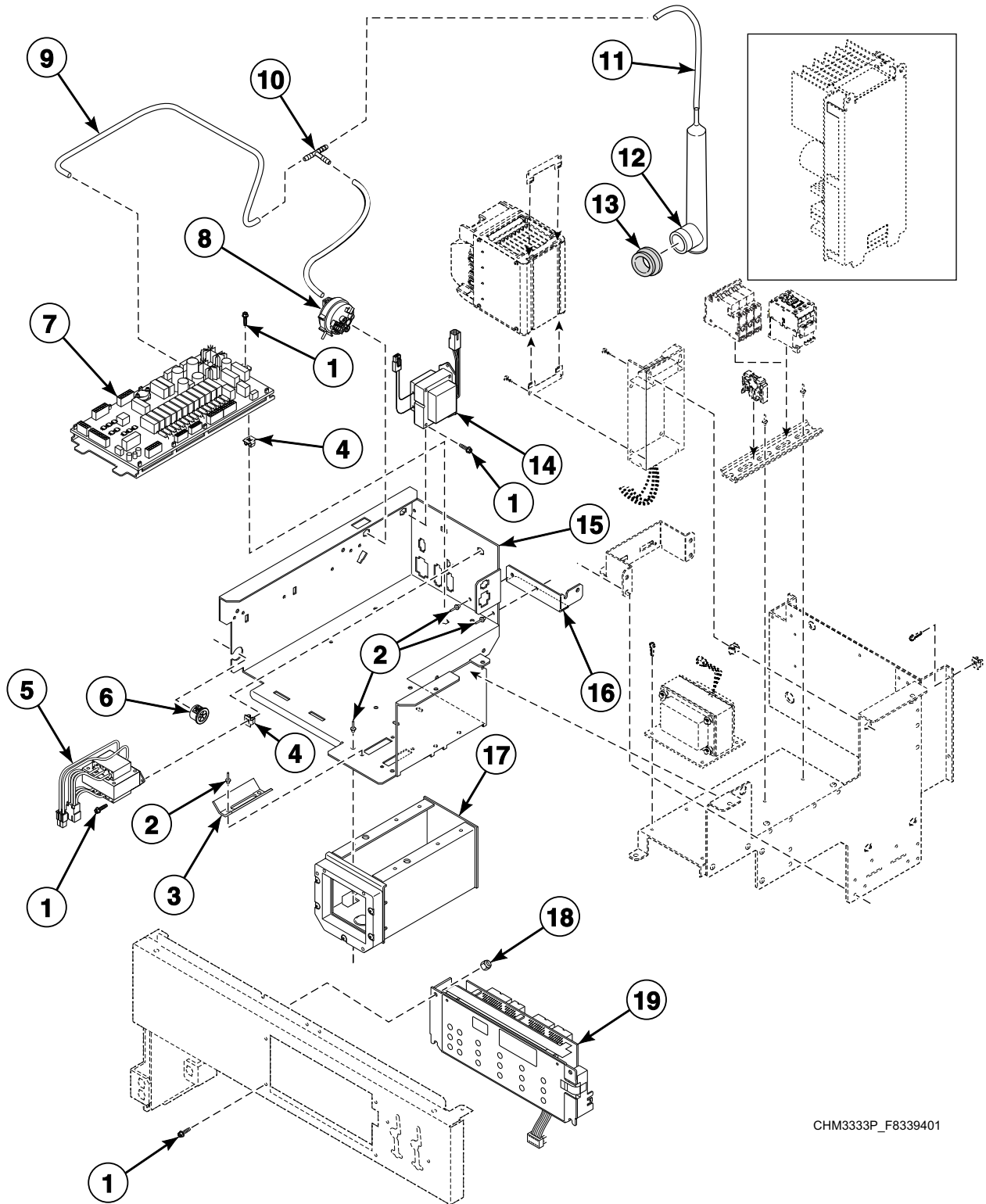
CHM3332P\_F8339401



## Control Module - Design 1 F and V-Speed Models

REF	PART NO.	DESCRIPTION	COMMENTS
	F8028701	Output/Logic Harness	
	F8167901	USB IR Device Assembly	
	F8028101P	Machine Size Configuration Harness	20 pound models
	F8028103P	Machine Size Configuration Harness	30 pound models
	F8028104P	Machine Size Configuration Harness	40 pound models
	F8028105P	Machine Size Configuration Harness	60 pound models
	F8261501P	Control Tray Harness	40 and 60 pound models
	M413506	Jumper Harness Assembly	208 Volt
	M413507	Jumper Configuration Assembly	240 Volt
1	F430232	Nut	
2	F8206901	Screw	
3	803527P	Transformer	
4	70058501	Pop Rivet	
5	F8170801	Coin Chute	
6	70030501	Expansion Clip	
7	44071501	Snap Bushing	
8	F980P3	Control Assembly Kit	Includes item 11 and F8108001 Output Assembly
9	F8223001P	Water Pressure Switch	
10	F8153901	Tubing	
11	F8246601	Tee	Electric and steam heat
	F8431001	Hose Barb Connector	All other models
12	F200222	Hose Clamp	No. 12
13	F020014200	Air Trap Hose	
14	430497	Screw	
15	F8195803	Support Bracket	
16	F8053901P	EMI Filter	240 Volt; International models only
	F8053902	EMI Filter	480 Volt; International models only
17	F8169401	PowerFlex 40 Drive	20 pound models; Models through 2/28/10; Q and X-voltage; Models with an Elmo motor
	F8169402	PowerFlex 40 Drive	20 pound models; Models through 2/28/10; N, P and R-voltage; Models with an Elmo motor
	F8169403	PowerFlex 40 Drive	30 pound models; Models through 2/28/10; Q and X-voltage; Models with an Elmo motor
	F8169404	PowerFlex 40 Drive	30 pound models; Models through 2/28/10; N, P and R-voltage; Models with an Elmo motor
	F8169405	PowerFlex 40 Drive	40 pound models; Models through 3/8/10; Q and X-voltage; Models with an Elmo motor
	F8169406	PowerFlex 40 Drive	40 pound models; Models through 3/8/10; N, P and R-voltage; Models with an Elmo motor
	F8169407	PowerFlex 40 Drive	60 pound models; Models through 3/8/10; Q and X-voltage; Models with an Elmo motor
	F8169408	PowerFlex 40 Drive	60 pound models; Models through 3/8/10; N, P and R-voltage; Models with an Elmo motor
	F8169434	PowerFlex 40 Drive	20 pound models; Models starting 3/1/10; Q and X-voltage; Models with a Hanning motor
	F8169435	PowerFlex 40 Drive	20 pound models; Models starting 3/1/10; N, P and R-voltage; Models with a Hanning motor
	F8169436	PowerFlex 40 Drive	30 pound models; Models starting 3/1/10; Q and X-voltage; Models with a Hanning motor
	F8169437	PowerFlex 40 Drive	30 pound models; Models starting 3/1/10; N, P and R-voltage; Models with a Hanning motor
	F8169438	PowerFlex 40 Drive	40 pound models; Models starting 3/9/10; Q and X-voltage; Models with a Hanning motor
	F8169439	PowerFlex 40 Drive	40 pound models; Models starting 3/9/10; N, P and R-voltage; Models with a Hanning motor
	F8169440	PowerFlex 40 Drive	60 pound models; Models starting 3/9/10; Q and X-voltage; Models with a Hanning motor
	F8169441	PowerFlex 40 Drive	60 pound models; Models starting 3/9/10; N, P and R-voltage; Models with a Hanning motor
18	F8205902	Control Tray Assembly	20 and 30 pound models; Includes items 5 and 20
	F8205903	Control Tray Assembly	40 and 60 pound models; Includes items 5 and 20
19	F360157P	Transformer	B-voltage
20	F8182501	Coin Vault Assembly	20 and 30 pound models
	F8182601	Coin Vault Assembly	40 and 60 pound models
21	F984P3	Front End Control Kit	V-speed models; Includes F828701 Output/Logic Harness
	F985P3	Front End Control Kit	F-speed models; Includes F828701 Output/Logic Harness

# Control Module - Design 2 and 3 Models (Drawing 1 of 2)

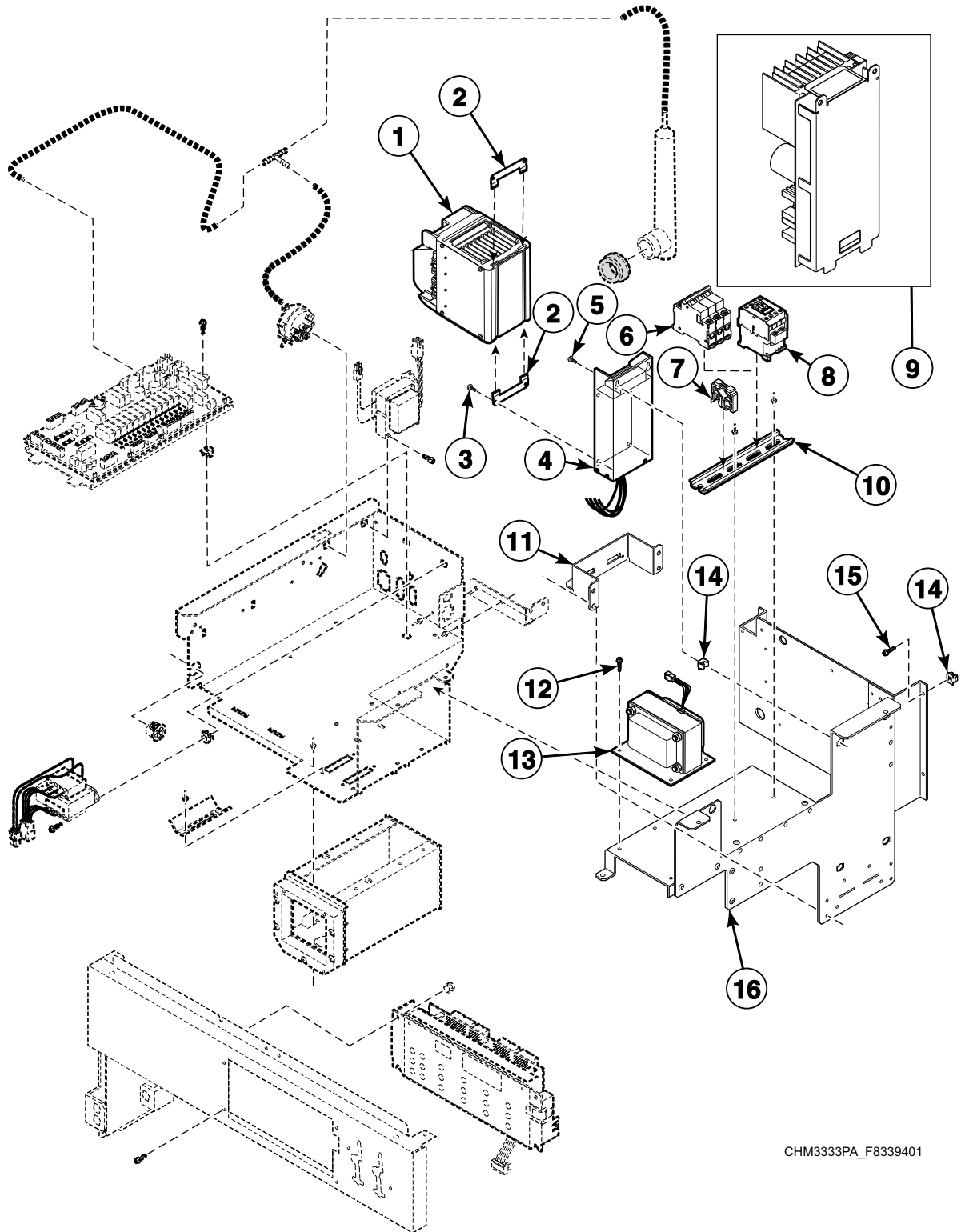


CHM3333P\_F8339401

## Control Module - Design 2 and 3 Models (Drawing 1 of 2)

REF	PART NO.	DESCRIPTION	COMMENTS
	F8028701	Output/Logic Harness	
	F8167901	USB IR Device Assembly	
	F8028101P	Machine Size Configuration Harness	20 pound models
	F8028103P	Machine Size Configuration Harness	30 pound models
	F8028104P	Machine Size Configuration Harness	40 pound models
	F8028105P	Machine Size Configuration Harness	60 pound models
	F8261501P	Control Tray Harness	40 and 60 pound models
	M413506	Jumper Harness Assembly	208 Volt
	M413507	Jumper Configuration Assembly	240 Volt
	F8191201P	External Supply Harness	
	F937P3	External Supply Kit	Includes items 2, F430903 Screw, F020014200 Air Trap Hose and F8191201P External Supply Harness
<b>1</b>	F8206901	Screw	
<b>2</b>	70058501	Pop Rivet	
<b>3</b>	F8170801	Coin Chute	
<b>4</b>	70030501	Expansion Clip	
<b>5</b>	803527P	Transformer	
<b>6</b>	44071501	Snap Bushing	
<b>7</b>	F980P3	Control Assembly Kit	Includes item 10 and F8108001 Output Assembly
<b>8</b>	F8404401	Water Pressure Switch	Electric and steam heat
<b>9</b>	F8153901	Tubing	
<b>10</b>	F8246601	Tee	Electric and steam heat
	F8431001	Hose Barb Connector	All other models
<b>11</b>	F8405301	Hose	
<b>12</b>	30907	Pressure Bulb	
<b>13</b>	F8433001	Grommet	
<b>14</b>	201616	Transformer	External supply
<b>15</b>	F8359702	Control Tray Assembly	20 and 30 pound models; Design 2; Includes items 3 and 17
	F8359707	Control Tray Assembly	20 and 30 pound models; Design 3; Includes items 3 and 17
	F8359704	Control Tray Assembly	All other models; Includes items 3, 15 and 17
<b>16</b>	F8375201	Tray Support Bracket	
<b>17</b>	F8182501	Coin Vault Assembly	20 and 30 pound models; Design 2
	F8182601	Coin Vault Assembly	All other models
<b>18</b>	F430232	Nut	
<b>19</b>	F103P3	Front End Control Kit	F-speed models; Includes F8028701 Output/Logic Harness
	F102P3	Front End Control Kit	V-speed models; Includes F828701 Output/Logic Harness

# Control Module - Design 2 and 3 Models (Drawing 2 of 2)

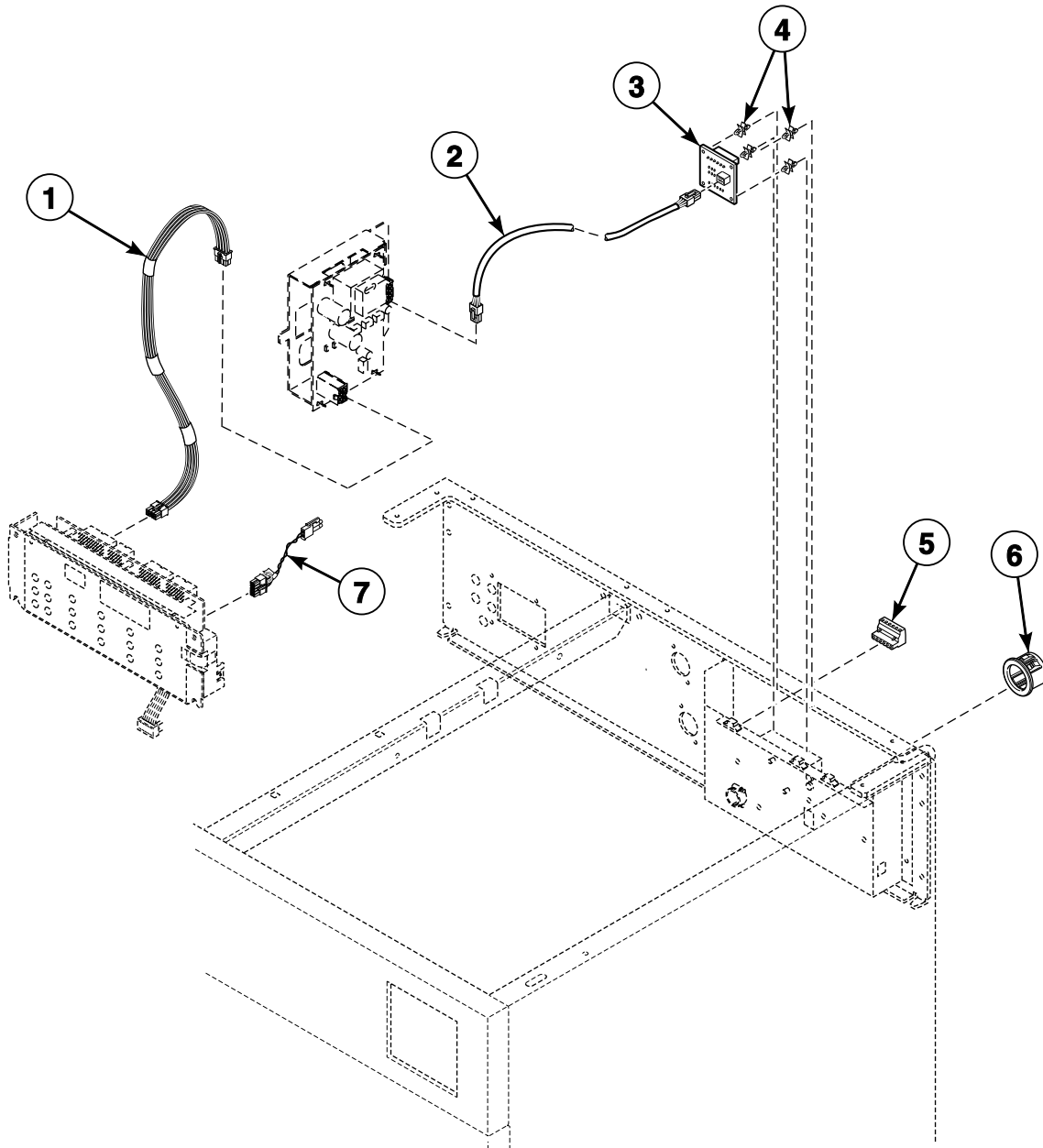


CHM3333PA\_F8339401

## Control Module - Design 2 and 3 Models (Drawing 2 of 2)

REF	PART NO.	DESCRIPTION	COMMENTS
1	F8303601P	Drive Assembly	N and P-voltage; 5 hp
	F8204701P	Drive Assembly	60 pound models; Q and X-voltage; 3 hp
2	F8322401	Drive Mounting Bracket	Use with item 1
3	503688	Screw	
4	F8053901P	EMI Filter	240 Volt; International models only
	F8053902	EMI Filter	480 Volt; International models only
5	F8206901	Screw	
6	70256901P	Circuit Breaker	Electric and steam heat
7	F8449801	End Stop	
8	F330177P	Contactors	
9	F8327301P	Drive Assembly	20, 30 and 40 pound models; B, Q and X-voltage; 2 hp
10	F8385301	DIN Rail	
11	F8310101	Lower Drive Mounting Bracket	Use with item 8
12	F8206901	Screw	
13	F8401301	Transformer	
14	70030501	Expansion Clip	
15	F8206901	Screw	
16	F8359801	Drive Tray Assembly	20 pound models
	F8359802	Drive Tray Assembly	30 pound models
	F8359803	Drive Tray Assembly	40 and 60 pound models

# Network Controls - WC, WD, WE, WL and WY Models



CHM3214P\_F8339401

## Network Controls - WC, WD, WE, WL and WY Models

REF	PART NO.	DESCRIPTION	COMMENTS
	NK204	Network Retrofit Kit	Wired; Includes items 1, 3, 4, 7, 201341 Network Board Assembly, 430497 Screw and 51780 Screw
	NK220	Network Controller Kit	Wired; Includes 210162 Terminating Resistor, 511949 Network Controller Assembly, 512161 Network Controller Power Supply and 513375 Ethernet Cable
	NK301	Wireless Network Kit	
	NK320	Ethernet Gateway Kit	Wireless
	NK330	USB Gateway Kit	Wireless
<b>1</b>	44088501P	Network Wire Harness Assembly	
<b>2</b>	44141801P	Network Harness	
<b>3</b>	210095P	Communication Board	
<b>4</b>	210098	PC Board Standoff	
<b>5</b>	210099	Communication Connector	
<b>6</b>	M400770	Snap Bushing	
<b>7</b>	70338301P	Communication Harness	



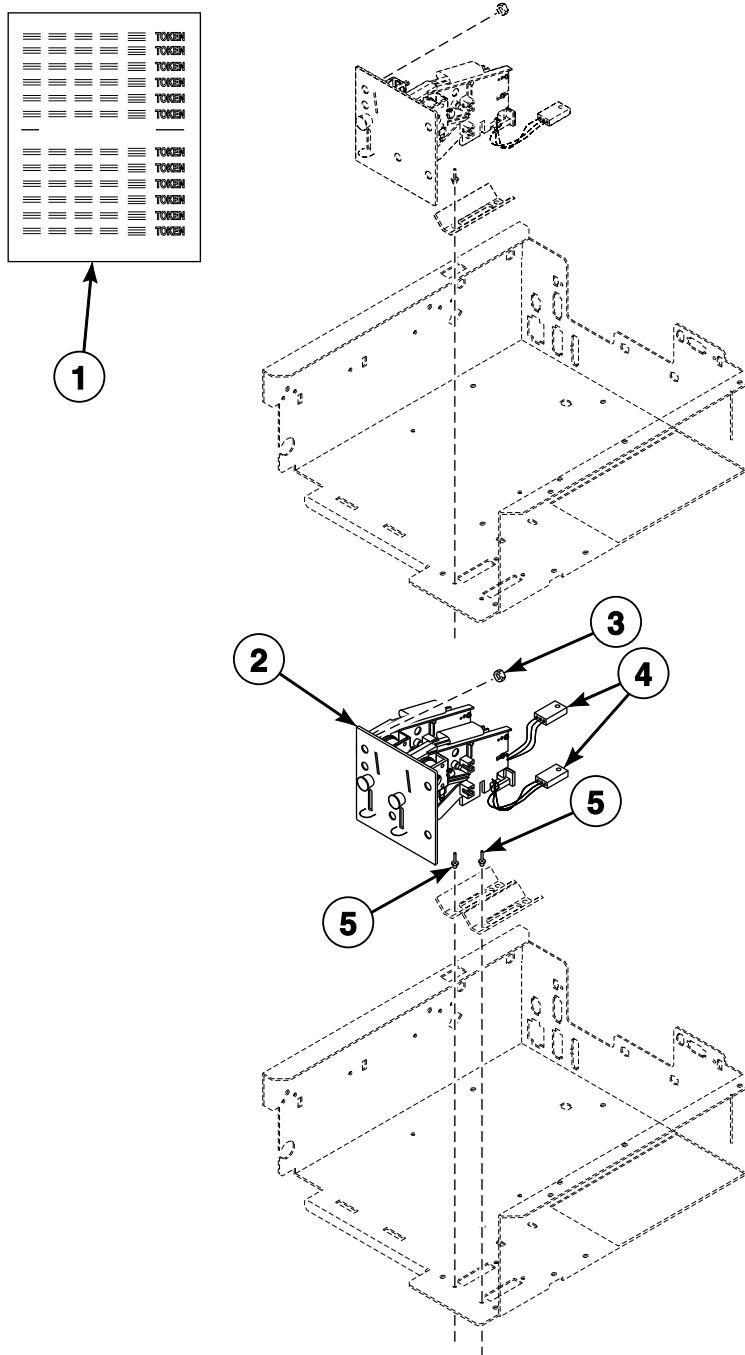


## Flush Mount Coin Meter Assembly - Single Drop

REF	PART NO.	DESCRIPTION	COMMENTS
	F200010000P	Coin Meter Assembly	U.S. \$.25; Includes items 2 and 3
	F200010006	Coin Meter Assembly	.800 token; Includes items 2 and 3
	F200010007	Coin Meter Assembly	.880 token; Includes items 2 and 3
	F200010009	Coin Meter Assembly	.990 token; Includes items 2 and 3
	F200010011	Coin Meter Assembly	Jeton WH121 token; Includes items 2 and 3
	F200010012	Coin Meter Assembly	Jeton .08 token; Includes items 2 and 3
<b>1</b>	38725	Coin Identification Paper	
<b>2</b>	38464P	Coin Drop Assembly	Canada .25
	N/A	Coin Drop Assembly	Australia .20
	N/A	Coin Drop Assembly	Belgium 5 franc
	N/A	Coin Drop Assembly	Denmark 2 krone
	N/A	Coin Drop Assembly	United Kingdom 20 pence
	N/A	Coin Drop Assembly	France 2 franc
	N/A	Coin Drop Assembly	Hong Kong 5 dollar
	N/A	Coin Drop Assembly	Italy 500 lira
	N/A	Coin Drop Assembly	Japan 100 yen
	N/A	Coin Drop Assembly	Korea 500 won
	N/A	Coin Drop Assembly	South Africa 2 rand
	N/A	Coin Drop Assembly	Spain 100 peseta
	N/A	Coin Drop Assembly	Thailand 10 baht
	N/A	Coin Drop Assembly	.886 token
	N/A	Coin Drop Assembly	1.000 token
	N/A	Coin Drop Assembly	Jeton 08 token
	70441601P	Coin Drop	U.S. \$.25
	N/A	Coin Drop Assembly	.800 token
	38462P	Coin Drop Assembly	.880 token
	38463	Coin Drop Assembly	.990 token
	N/A	Coin Drop Assembly	Jeton WH121 token
	N/A	Coin Meter	Jeton .08 token
<b>3</b>	F430215	Nut	
<b>4</b>	200674P	Opto Coupler	
<b>5</b>	70058501	Pop Rivet	

**N/A = Part no longer available**

# Flush Mount Coin Meter Assembly - Dual Drop



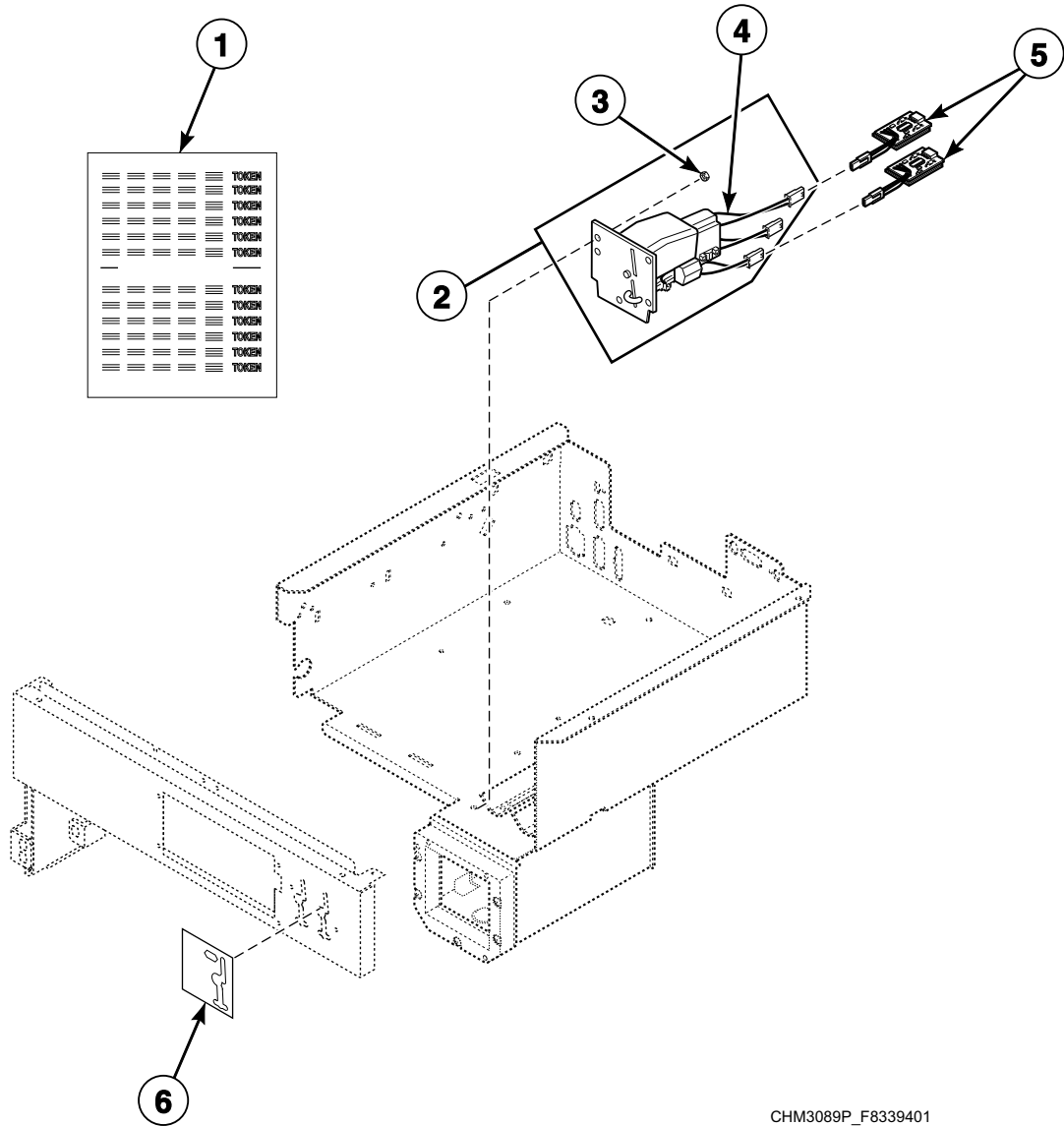
CHM3088PA\_F8339401

## Flush Mount Coin Meter Assembly - Dual Drop

REF	PART NO.	DESCRIPTION	COMMENTS
	F200010001	Coin Meter Assembly	Australia .20 and 1.00; Includes items 2 and 3
	F200010002	Coin Meter Assembly	100 and 500 yen; Includes items 2 and 3
	F200010003	Coin Meter Assembly	Canada .25 and 1.00; Includes items 2 and 3
	F200010004	Coin Meter Assembly	New Zealand .20 and 1.00; Includes items 2 and 3
	F200010005	Coin Meter Assembly	U.S. \$.25 and \$1.00; Includes items 2 and 3
	F200010008	Coin Meter Assembly	.50 and 2.00 euro; Includes items 2 and 3
	F200010010	Coin Meter Assembly	10 and 50 Taiwan; Includes items 2 and 3
<b>1</b>	38725	Coin Identification Paper	
<b>2</b>	N/A	Coin Meter	10 and 50 Taiwan
	N/A	Coin Meter	Belgium 5 and 20 franc
	N/A	Coin Meter	Denmark 1 and 5 krone
	N/A	Coin Meter	Denmark 5 and 10 krone
	38472	Coin Drop Assembly	United Kingdom 20 pence and 1 pound
	N/A	Coin Meter	.20 and .50 euro
	210195	Coin Drop Assembly	.20 and 1.00 euro
	210196	Coin Drop Assembly	.50 and 1.00 euro
	N/A	Coin Meter	2 and 5 franc
	N/A	Coin Meter	2 and 10 franc
	39157	Coin Drop Assembly	Israel 1 and 5 shekel
	38521	Coin Drop Assembly	Korea 100 and 500 won
	N/A	Coin Meter	Spain 100 and 500 peseta
	N/A	Coin Drop Assembly	Australia .20 and 1.00
	N/A	Coin Drop Assembly	Japan 100 and 500 yen
	N/A	Coin Drop Assembly	Canada .25 and 1.00
	N/A	Coin Drop Assembly	New Zealand .20 and 1.00
	70256402P	Coin Drop	U.S. \$.25 and \$1.00
	F0160737-00	Coin Meter	.50 and 2.00 euro
	70281102	Coin Drop Assembly	10 and 50 Taiwan dollar
	N/A	Coin Meter	Taiwan 5 and 10 dollar
<b>3</b>	F430215	Nut	
<b>4</b>	200674P	Opto Coupler	
<b>5</b>	70058501	Pop Rivet	

**N/A = Part no longer available**

# Electronic Coin Meter Assembly

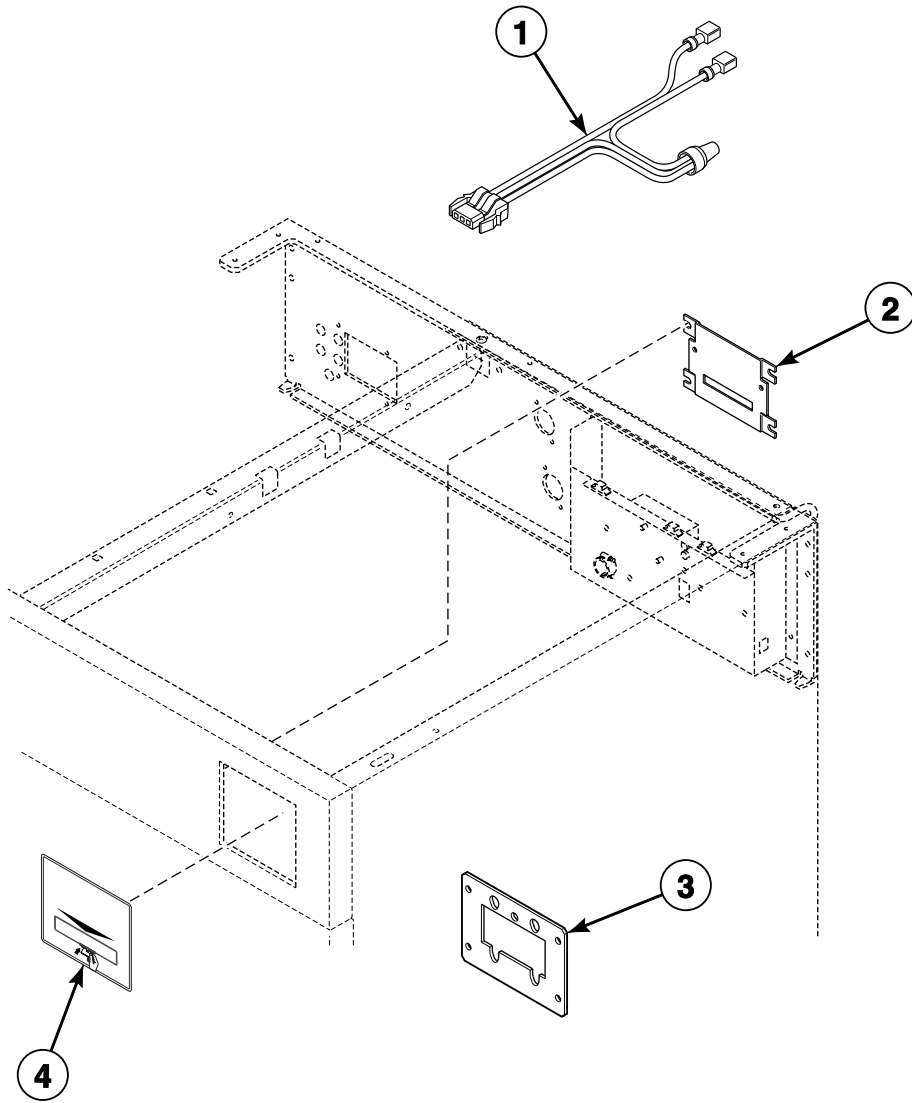


CHM3089P\_F8339401

# Electronic Coin Meter Assembly

REF	PART NO.	DESCRIPTION	COMMENTS
	CK500	Electronic Coin Drop Kit	Includes item 2
<b>1</b>	38725	Coin Identification Paper	
<b>2</b>	F200021600P	Coin Meter Assembly	U.S., Canada, Japan and Taiwan; Includes items 3 and 4; Requires CK500 Electronic Coin Drop Kit for installation
	F200021601	Coin Meter Assembly	Australia, New Zealand, Hong Kong, South Korea and Malaysia; Includes items 3 and 4; Requires CK500 Electronic Coin Drop Kit for installation
	F200021602	Coin Meter Assembly	United Kingdom and euro; Includes items 3 and 4; Requires CK500 Electronic Coin Drop Kit for installation
	F200021603	Coin Meter Assembly	Denmark, Norway and euro; Includes items 3 and 4; Requires CK500 Electronic Coin Drop Kit for installation
	F200021604	Coin Meter Assembly	U.S., Mexico and Ecuador; Includes items 3 and 4; Requires CK500 Electronic Coin Drop Kit for installation
	F200021605	Coin Meter Assembly	Euro, Latvia and Lithuania; Includes items 3 and 4; Requires CK500 Electronic Coin Drop Kit for installation
	F8238601	Coin Meter Assembly	China, Russia and Malaysia; Includes items 3 and 4; Requires CK500 Electronic Coin Drop Kit for installation
<b>3</b>	685846	Nut	
<b>4</b>	CK115	Electronic Coin Drop Kit	U.S. and Canada; Includes item 1; Requires CK500 Electronic Coin Drop Kit for installation
	CK113	Electronic Coin Drop Kit	Japan and Taiwan; Includes item 1; Requires CK500 Electronic Coin Drop Kit for installation
	70294105P	Electronic Coin Drop Assembly	Australia, New Zealand, Hong Kong, South Korea and Malaysia
	CK099	Electronic Coin Drop Kit	Australia, New Zealand, Hong Kong, South Korea and Malaysia; Includes item 1; Requires CK500 Electronic Coin Drop Kit for installation
	70294103P	Electronic Coin Drop Assembly	United Kingdom and euro
	CK100	Electronic Coin Drop Kit	United Kingdom and euro; Includes item 1; Requires CK500 Electronic Coin Drop Kit for installation
	70294104	Electronic Coin Drop Assembly	Denmark, Norway and euro
	CK101	Electronic Coin Drop Kit	Denmark, Norway and euro; Includes item 1; Requires CK500 Electronic Coin Drop Kit for installation
	70294106	Electronic Coin Drop Assembly	U.S., Mexico and Ecuador
	CK110	Electronic Coin Drop Kit	U.S., Mexico and Ecuador; Includes item 1; Requires CK500 Electronic Coin Drop Kit for installation
	70294107	Electronic Coin Drop Assembly	Euro, Latvia and Lithuania
	CK103	Electronic Coin Drop Kit	Euro, Latvia and Lithuania; Includes item 1; Requires CK500 Electronic Coin Drop Kit for installation
	70294109	Electronic Coin Drop Assembly	Singapore, China, Russia and Malaysia
	CK106	Electronic Coin Drop Kit	Singapore, China, Russia and Malaysia; Includes item 1; Requires CK500 Electronic Coin Drop Kit for installation
	70294111	Electronic Coin Drop Assembly	Euro
	CK109	Electronic Coin Drop Kit	Euro; Includes item 1; Requires CK500 Electronic Coin Drop Kit for installation
	70294119	Electronic Coin Drop Assembly	Thailand
	CK119	Electronic Coin Drop Kit	Thailand; Includes item 1; Requires CK500 Electronic Coin Drop Kit for installation
<b>5</b>	F8034701P	Pulse Expander Assembly	Design 1 models
<b>6</b>	70295101	Overlay	Black
	70295301	Overlay	Gray

# Card Reader - LY and WY Models

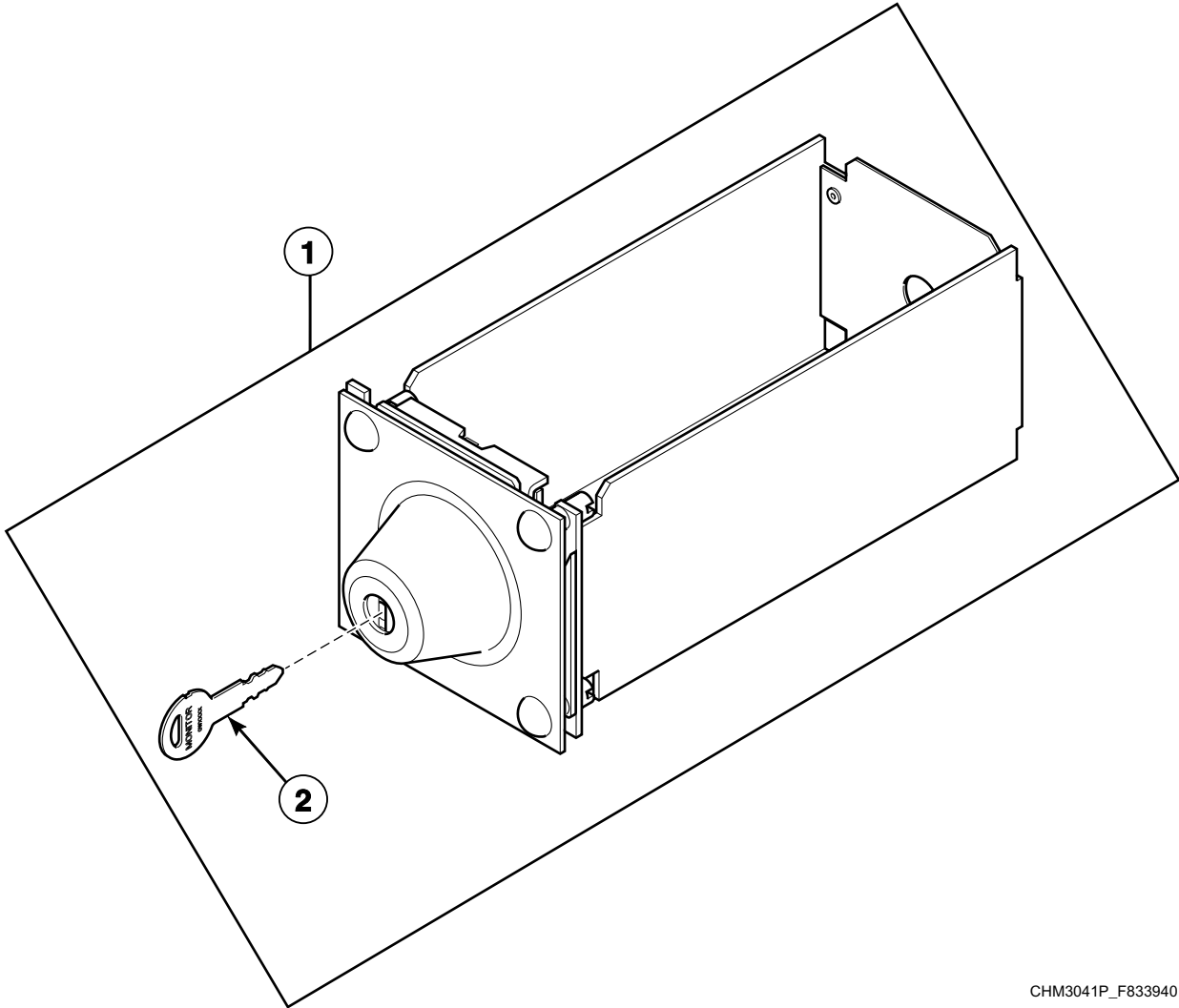


CHM3216P\_F8339401

## Card Reader - LY and WY Models

REF	PART NO.	DESCRIPTION	COMMENTS
1	F8191401P	Vault/FBS Bypass Harness	Design 1 models
	F8191402	Vault/FBS Jumper Harness	Design 2 models
2	F8201501	Card Plate Assembly	
3	70208801	Mounting Plate	
4	70334201	Card Reader Overlay	Black

# Optional Coin Box



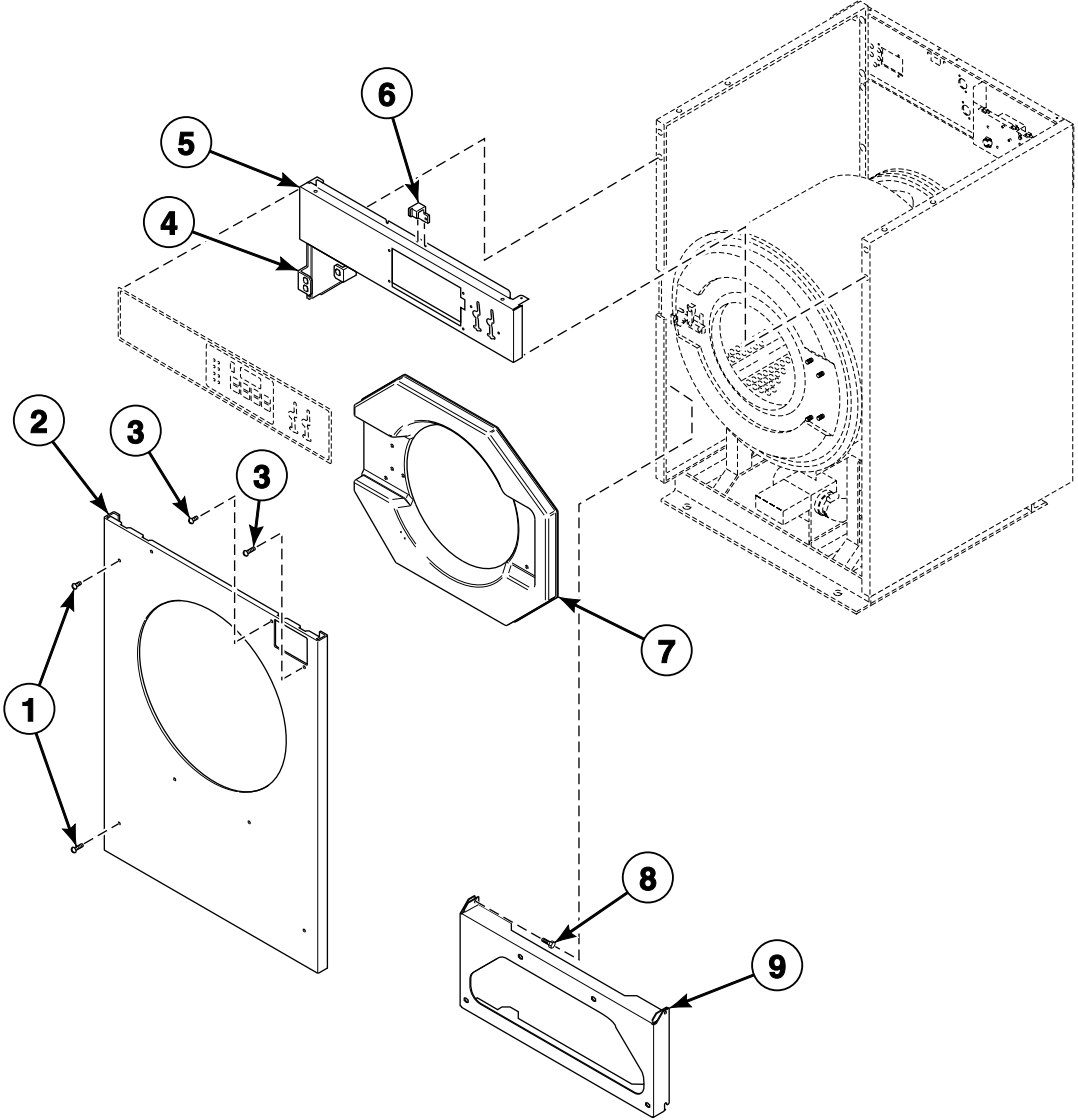
CHM3041P\_F8339401



## Optional Coin Box

REF	PART NO.	DESCRIPTION	COMMENTS
1	F160672	Coin Box	20 and 30 pound Design 1 and 2 models; GW0023
	F8182001	Coin Drawer Assembly	20 and 30 pound Design 3 models; All other models
2	F160420	Key	GW0023

# Front Panels and Control Panel

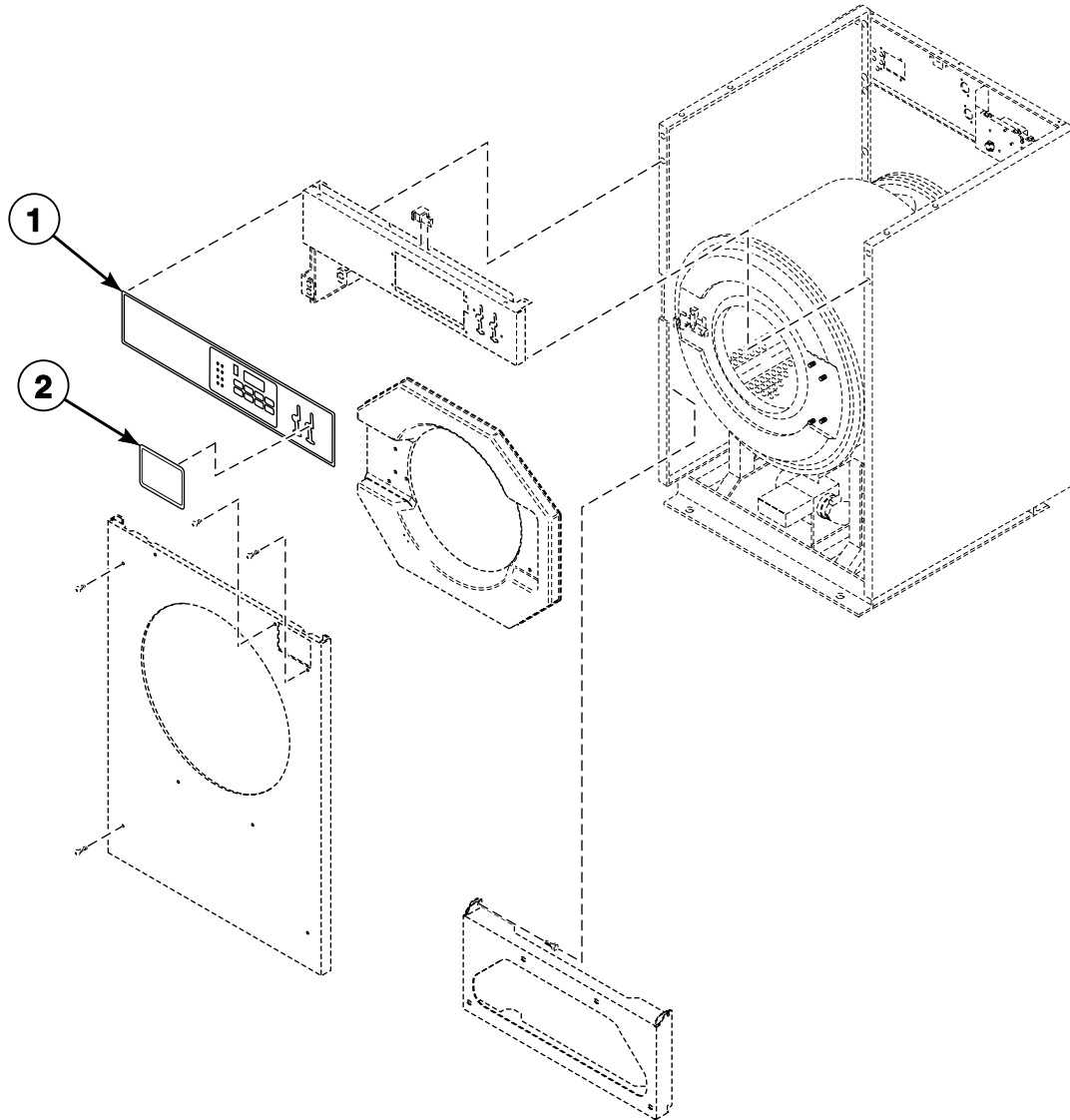


CHM3091P\_F8339401

## Front Panels and Control Panel

REF	PART NO.	DESCRIPTION	COMMENTS
1	F8117601	Screw	
2	F8171301	Front Panel	20 pound models; Design 1 and 2; Stainless steel
	F8171302P	Front Panel	20 pound LY and WY models; Design 1 and 2; Stainless steel
	F8492301	Front Panel	20 pound models; Design 3; Stainless steel
	F8492302	Front Panel	20 pound LY and WY models; Design 3; Stainless steel
	F8173001	Front Panel	30 pound models; Design 1 and 2; Stainless steel
	F8173002P	Front Panel	30 pound LY and WY models; Design 1 and 2; Stainless steel
	F8173003	Front Panel	30 pound models; Design 3; Stainless steel
	F8173101P	Front Panel	40 pound models; Stainless steel
	F8173102P	Front Panel	40 pound LY and WY models; Stainless steel
	F8173201P	Front Panel	60 pound models; Stainless steel
	F8173202P	Front Panel	60 pound LY and WY models; Stainless steel
3	801019	Screw	
4	F8186702	Gusset Plate	
5	F8038502	Control Panel Assembly	20 pound LC, LD, LE, LX, WC, WD, WE and WX models
	F8038504	Control Panel Assembly	20 pound LY and WY models
	F8038602	Control Panel Assembly	30 pound LC, LD, LE, LX, WC, WD, WE and WX models
	F8038604	Control Panel Assembly	30 pound LY, WL and WY models
	F8038702	Control Panel Assembly	40 pound LC, LD, LE, LX, WC, WD, WE and WX models
	F8038704	Control Panel Assembly	40 pound LL, LY and WY models
	F8038802	Control Panel Assembly	60 pound LC, LD, LE, LX, WC, WD, WE and WX models
	F8038804	Control Panel Assembly	60 pound LL, LY and WY models
6	F8201001	Top Cover Latch	
7	F170416-1	Door Bezel	SCL020, SCN020 and SCU020 models; Black
	F170416-2	Door Bezel	HCD020 and HCL020 models; Pantone 424
	F170417-1	Door Bezel	SCD030, SCL030, SCN030 and SCU030 models; Black
	F170417-3	Door Bezel	HCD030 models; Pantone 424
	F0170426-00	Door Bezel	SCD040, SCD060, SCL040, SCN040, SCL060, SCN060, SCU040 and SCU060 models; Black
	F0170426-10	Door Bezel	HCD040 and HCD060 models; Pantone 424
8	F430174	Screw	
9	F8173801	Front Cabinet Brace	20 pound models
	F8173901	Front Cabinet Brace	30 pound models
	F8174001	Front Cabinet Brace	40 pound models
	F8174101	Lower Cabinet Brace	60 pound models

# Control Panel Overlays

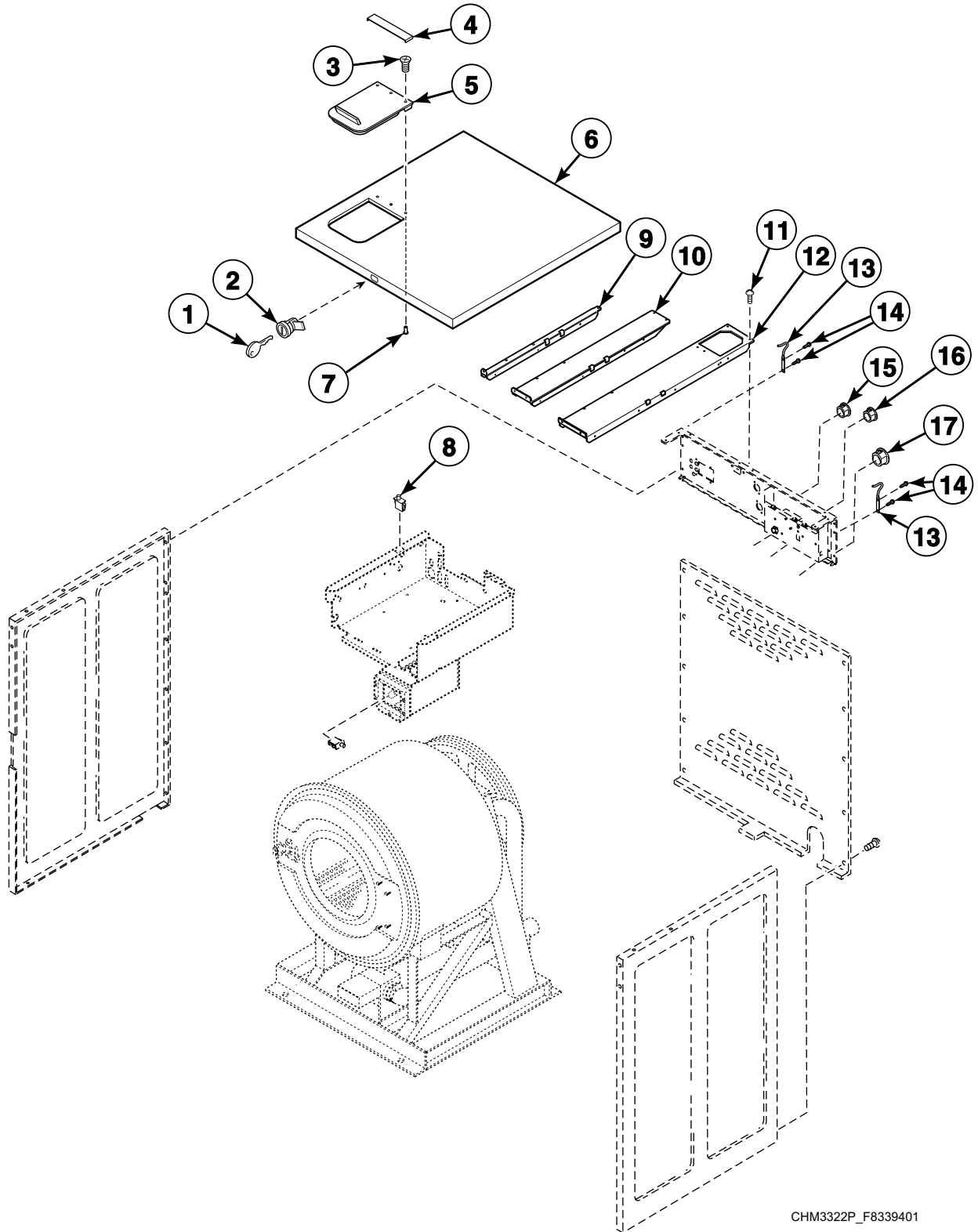


CHM3173P\_F8339401

## Control Panel Overlays

REF	PART NO.	DESCRIPTION	COMMENTS
1	F8226902	Control Panel Overlay	HCD020 and HCL020 models; Dual coin drop
	F8227002	Overlay	HCD030 and SCD030 models; Dual coin drop
	F8227102	Overlay	HCD040 and SCD040 models; Dual coin drop
	F8227202	Overlay	HCD060 and SCD060 models; Dual coin drop
	F8296601	Overlay	Design 1; SCL020, SCN020 and SCU020 models; Single coin drop
	F8296602	Overlay	Design 1; SCL020, SCN020 and SCU020 models; Dual coin drop
	F8445801	Overlay	Design 2 and 3; SCL020, SCN020 and SCU020 models; Single coin drop
	F8445802	Overlay	Design 2 and 3; SCL020, SCN020 and SCU020 models; Dual coin drop
	F8445803	Overlay	Design 2 and 3; SCL020, SCN020 and SCU020 models; Card ready
	F8296701	Overlay	Design 1; SCL030, SCN030 and SCU030 models; Single coin drop
	F8296702	Overlay	Design 1; SCL030, SCN030 and SCU030 models; Dual coin drop
	F8445901	Overlay	Design 2 and 3; SCL030, SCN030 and SCU030 models; Single coin drop
	F8445902	Overlay	Design 2 and 3; SCL030, SCN030 and SCU030 models; Dual coin drop
	F8445903	Overlay	Design 2 and 3; SCL030, SCN030 and SCU030 models; Card ready
	F8296801	Overlay	Design 1; SCL040, SCN040 and SCU040 models; Single coin drop
	F8296802	Overlay	Design 1; SCL040, SCN040 and SCU040 models; Dual coin drop
	F8446001	Overlay	Design 2; SCL040, SCN040 and SCU040 models; Single coin drop
	F8446002	Overlay	Design 2; SCL040, SCN040 and SCU040 models; Dual coin drop
	F8446003	Overlay	Design 2; SCL040, SCN040 and SCU040 models; Card ready
	F8296901	Overlay	Design 1; SCL060, SCN060 and SCU060 models; Single coin drop
	F8296902	Overlay	Design 1; SCL060, SCN060 and SCU060 models; Dual coin drop
	F8446101	Overlay	Design 2; SCL060, SCN060 and SCU060 models; Single coin drop
	F8446102	Overlay	Design 2; SCL060, SCN060 and SCU060 models; Dual coin drop
	F8446103	Overlay	Design 2; SCL060, SCN060 and SCU060 models; Card ready
2	39564	Coin Drop Overlay	Models SCL040LLF, SCL060LLF, SCN030WLV and SCN040LLF; Black

# Panels (Drawing 1 of 2)

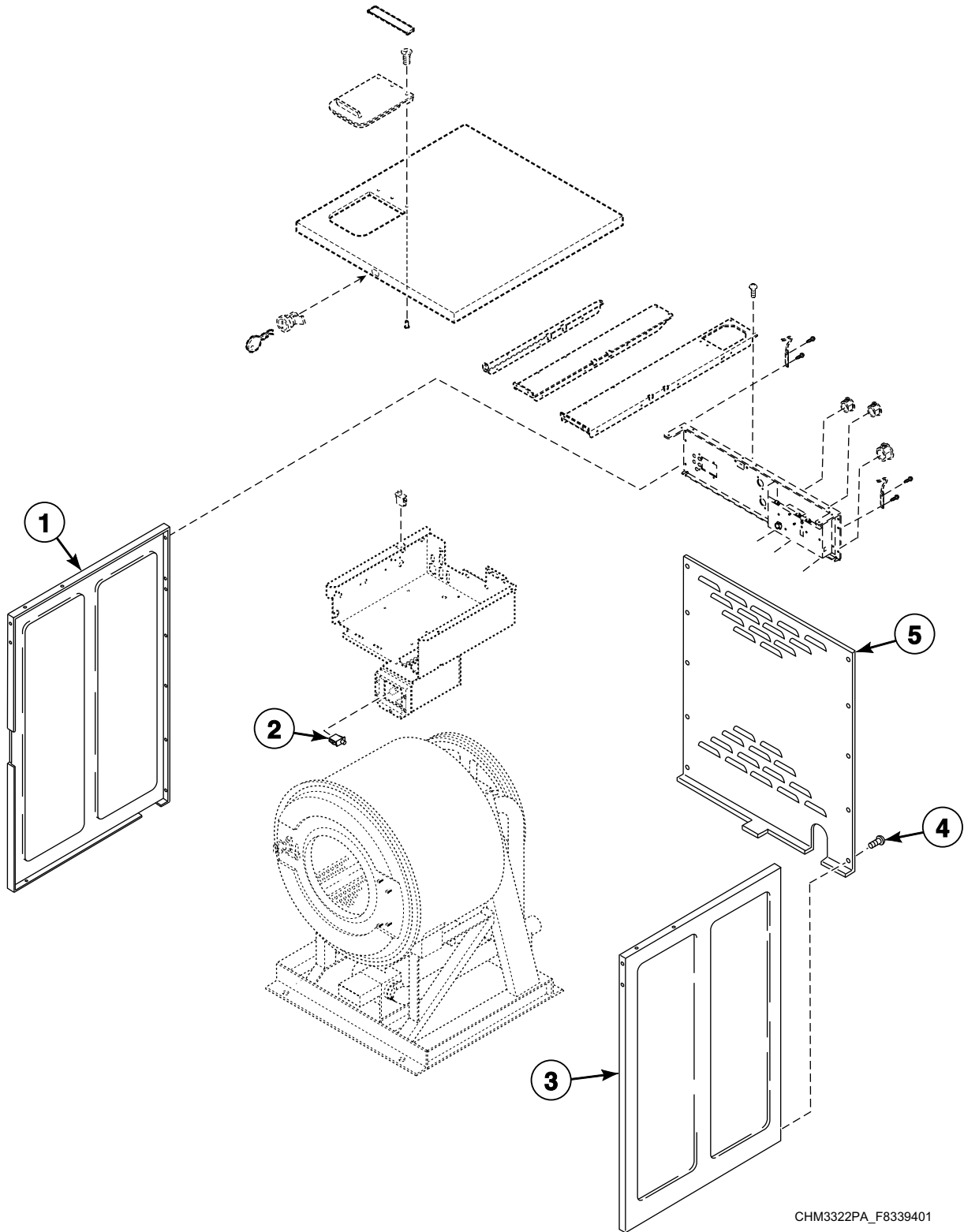


CHM3322P\_F8339401

## Panels (Drawing 1 of 2)

REF	PART NO.	DESCRIPTION	COMMENTS
1	70155603	Key	RL003
2	44089303P	Panel Lock	
3	F8230601	Screw	
4	F8091701	Lid Clamp	
5	F8048101	Dispenser Lid	Gray
6	F8040201	Top Cover	20 pound models
	F8017401	Top Cover	30 pound models
	F8040301	Top Cover	40 pound models
	F8040401P	Top Cover	60 pound models
7	F8230501	Bolt	
8	70413301	Pushbutton Switch	
9	F8043501	Top Cabinet Brace	20 pound models
10	F8043701	Top Cabinet Brace	30 pound models
11	430497	Screw	
12	F8043801	Top Cabinet Brace	40 pound models
	F8043901	Top Cabinet Brace	60 pound models
13	F8258601	Top Cover Hinge	
14	F8206901	Screw	
15	M400985	Plug	Design 2 and 3 models
16	F8223901	Plug	Design 2 and 3 models
17	F8223801	Hole Plug	Design 2 and 3 models

# Panels (Drawing 2 of 2)



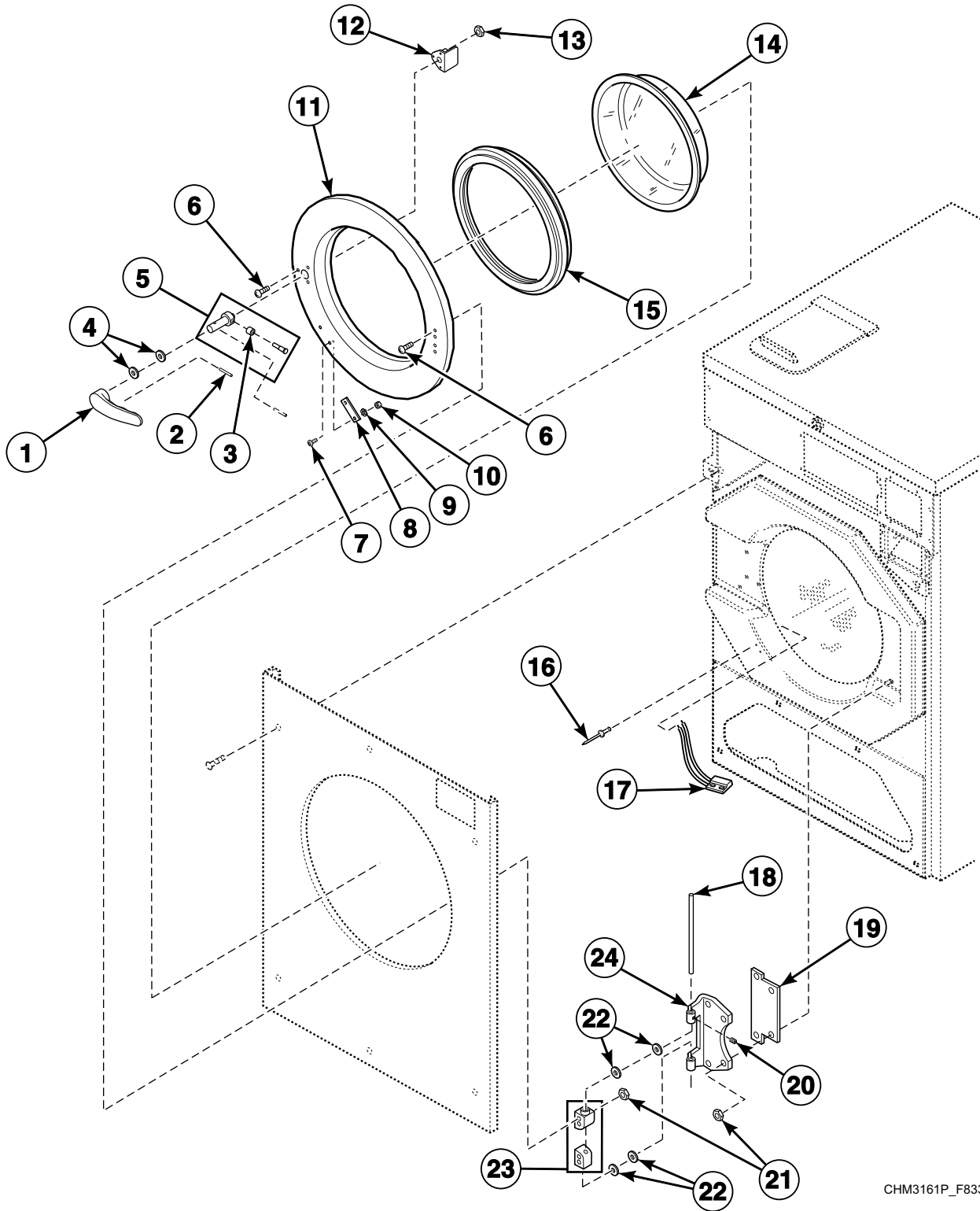
CHM3322PA\_F8339401



## Panels (Drawing 2 of 2)

REF	PART NO.	DESCRIPTION	COMMENTS
1	F8042902P	Left Side Panel	20 pound models; Design 1; Vinyl
	F8043102P	Left Side Panel	30 pound models; Design 1; Vinyl
	F8043202P	Left Side Panel	40 pound models; Design 1; Vinyl
	F8043302P	Left Side Panel	60 pound models; Design 1; Vinyl
	F8399202	Left Side Panel	20 pound models; Design 2
	F8399302	Left Side Panel	30 pound models; Design 2
	F8399402	Left Side Panel	40 pound models; Design 2
	F8399502P	Left Side Panel	60 pound models; Design 2
	F8492402	Left Side Panel	20 pound models; Design 3; Vinyl
	F8492404	Left Side Panel	30 pound models; Design 3; Stainless steel
2	70413301	Pushbutton Switch	
3	F8042901P	Right Side Panel	20 pound models; Design 1; Vinyl
	F8043101P	Right Side Panel	30 pound models; Design 1; Vinyl
	F8043201P	Right Side Panel	40 pound models; Design 1; Vinyl
	F8043301P	Right Side Panel	60 pound models; Design 1; Vinyl
	F8399201	Right Side Panel	20 pound models; Design 2
	F8399301	Right Side Panel	30 pound models; Design 2
	F8399401	Right Side Panel	40 pound models; Design 2
	F8399501	Right Side Panel	60 pound models; Design 2
	F8492401	Right Side Panel	20 pound models; Design 3; Vinyl
	F8492403	Right Side Panel	30 pound models; Design 3; Stainless steel
4	F8206901	Screw	
5	F8176201P	Rear Panel	20 pound models; Design 1
	F8176301	Rear Panel	30 pound models; Design 1
	F8177701P	Rear Panel	40 pound models; Design 1
	F8177501P	Rear Panel	60 pound models; Design 1
	F8362401	Rear Panel	20 pound models; Design 2
	F8352801	Rear Panel	30 pound models; Design 2
	F8365201	Rear Panel	40 pound models; Design 2
	F8367101	Rear Panel	60 pound models; Design 2
	F8492501	Rear Panel	20 pound models; Design 3

# Door

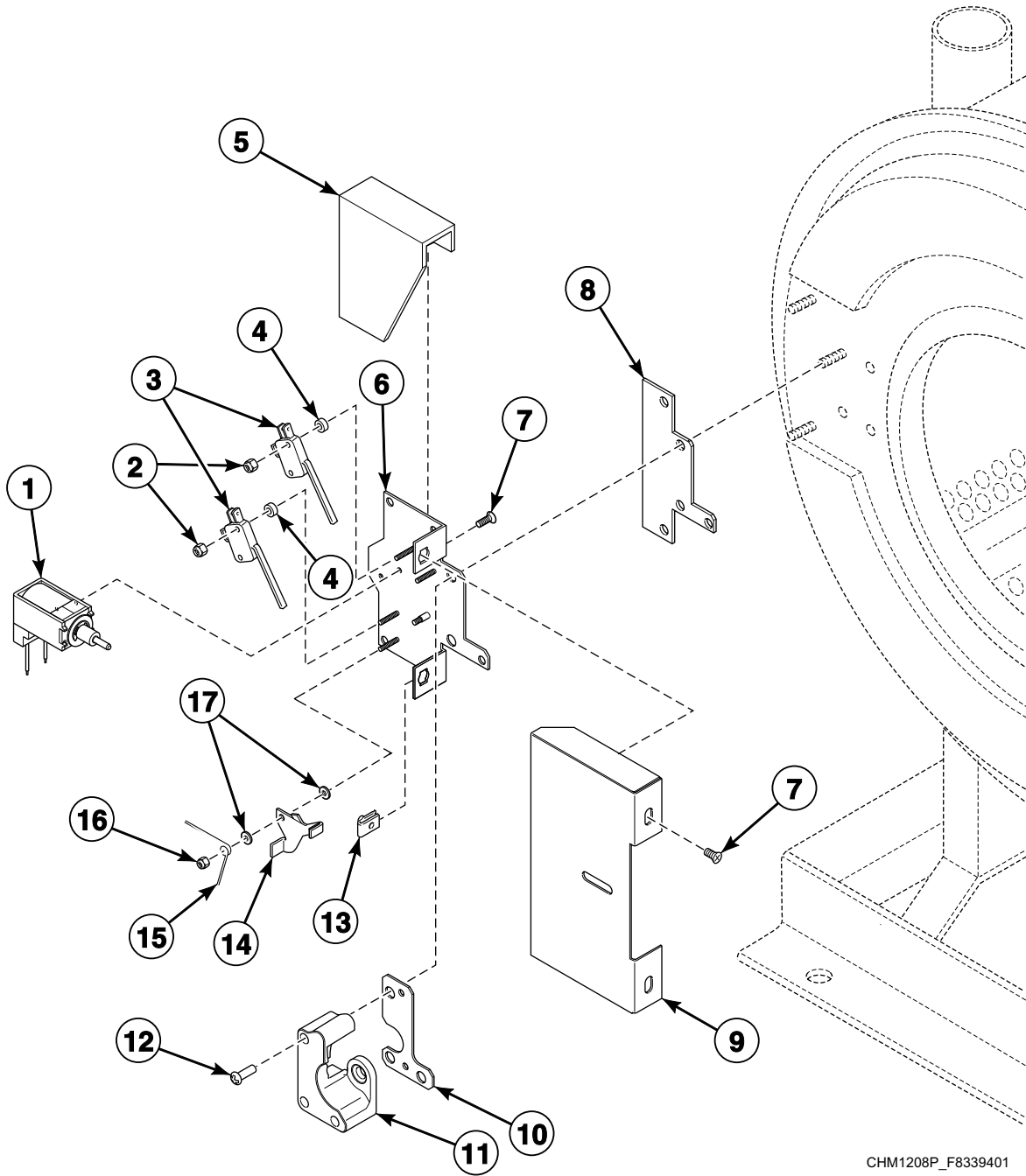


CHM3161P\_F8339401

# Door

REF	PART NO.	DESCRIPTION	COMMENTS
	F8187204	Door Assembly	HCD020 models; Black; Includes items 1-14 and 17-22
	F8187203	Door Assembly	HCL020 models; Gray; Includes items 1-14 and 17-22
	F8187304	Door Assembly	HCD030 models; Black; Includes items 1-14 and 17-22
	F8187404	Door Assembly	HCD040 and HCD060 models; Black; Includes items 1-14 and 17-22
	F8187202	Door Assembly	SCL020, SCN020 and SCU020 models; Black; Includes items 1-14 and 17-22
	F8187302	Door Assembly	30 pound models; Black; Includes items 1-14 and 17-22
	F8187402	Door Assembly	40 and 60 pound models; Black; Includes items 1-14 and 17-22
<b>1</b>	F8199401P	Door Handle	
<b>2</b>	F431222	Spring Pin	
<b>3</b>	F8221701	Bearing Sleeve	
<b>4</b>	F431916	Washer	
<b>5</b>	F8221401	Door Latch Arm Assembly	
<b>6</b>	F430976	Screw	
	F8508101	Bolt	Chrome
<b>7</b>	F430916	Screw	
<b>8</b>	F8390801	Magnet	
<b>9</b>	F431133	Washer	
<b>10</b>	F431022	Nut	
<b>11</b>	F0602431-02	Door	20 pound models
	F8507501	Door	20 pound models; Chrome
	F0602837-02	Door	30 pound models
	F8507601	Door	30 pound models; Chrome
	F602842-2	Door	40 and 60 pound models
	F8507701	Door	40 and 60 pound models; Chrome
<b>12</b>	F8223701	Door Handle Spacer	
<b>13</b>	F430232	Nut	
<b>14</b>	F290205P	Door Glass Kit	SCL020, SCN020 and SCU020 models; Models HCD020LD2 and HCL020LD2 through 1/10/10
	F8341701	Door Glass	HCD020 and HCL020 models starting 1/11/10
	F290207P	Door Glass Kit	SCD030, SCL030, SCN030 and SCU030 models; Model HCD030LD2 through 1/10/10
	F8341801P	Door Glass	HCD030 models starting 1/11/10
	F290208P	Door Glass	SCD040, SCD060, SCL040, SCL060, SCN040, SCN060, SCU040 and SCU060 models; Models HCD040LD2 and HCD060LD2 through 1/10/10
	F8341901	Door Glass	HCD040 and HCD060 models starting 1/11/10
<b>15</b>	F200000202	Door Gasket	20 pound models; Black
	F8111602	Door Gasket	30 pound models; Black
	F8111502	Door Gasket	40 and 60 pound models; Black
<b>16</b>	F8245101	Blind Rivet	
<b>17</b>	F8066802	Reed Switch Assembly	
<b>18</b>	F602813-2	Rod	20 and 30 pound models
	F602813-3	Rod	40 and 60 pound models
<b>19</b>	F200131000	Door Hinge Shim	
<b>20</b>	F430536	Screw	
<b>21</b>	F430215	Nut	
<b>22</b>	F431929	Washer	
<b>23</b>	F150271	Door Mount	
<b>24</b>	F190216P	Door Hinge	

# Door Lock



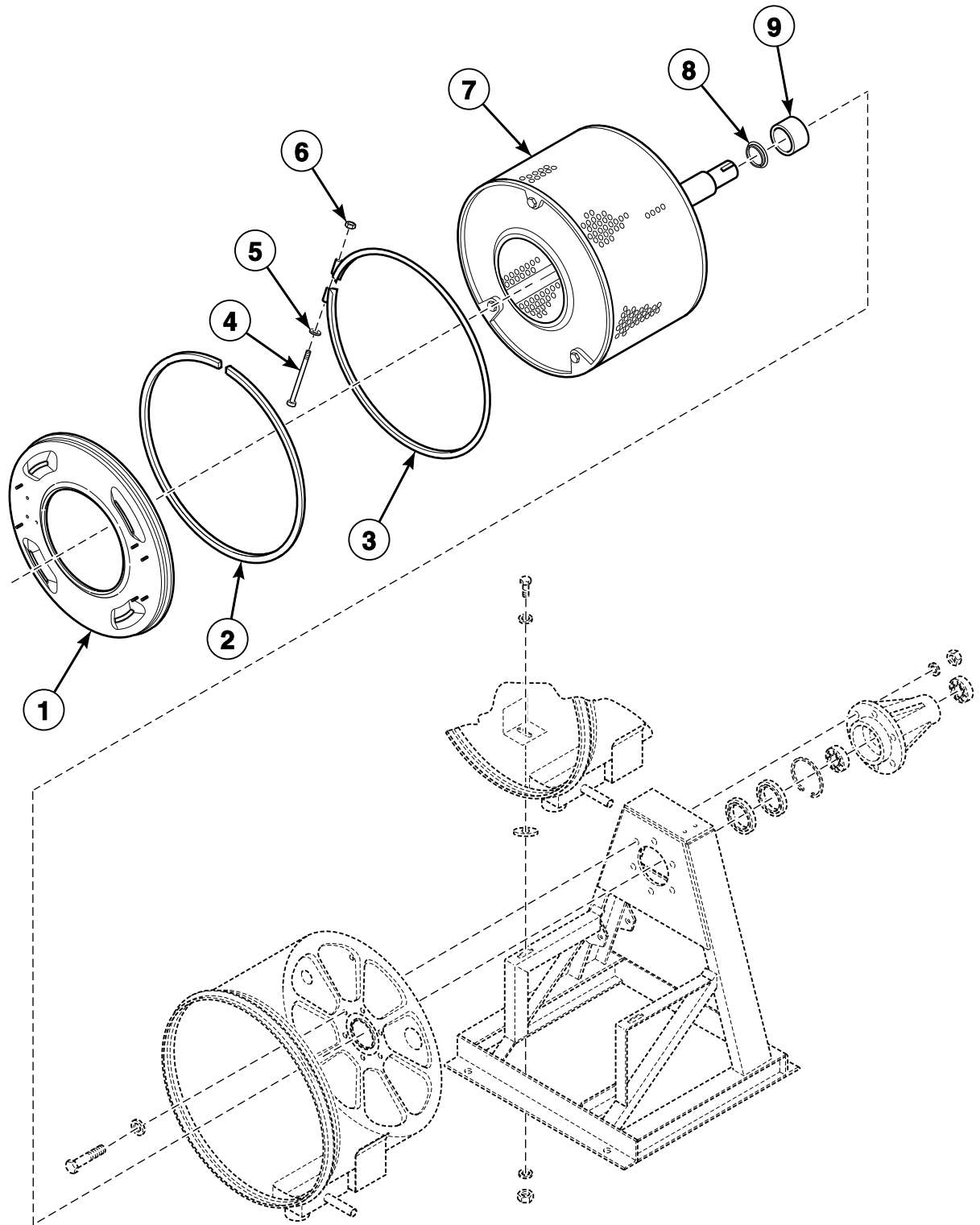
CHM1208P\_F8339401

# Door Lock

REF	PART NO.	DESCRIPTION	COMMENTS
	F8197101	Door Lock Assembly	Includes F8339902 External Door Lock Harness; Models through 10/31/10
	F8340501	Door Lock Assembly	Includes F8340001 External Door Lock Harness; Models starting 11/1/10
	F977P3	Door Lock Solenoid Replacement Kit	Includes F8340101 Solenoid
	N/A	External Door Lock Harness	Includes F8224201 Solenoid; Models through 10/31/10; Order F977P3 Door Lock Solenoid Replacement Kit
	F8340001	External Door Lock Harness	Models starting 11/1/10
<b>1</b>	F8340101	Solenoid	
<b>2</b>	F430225	Nut	
<b>3</b>	F200203200	Door Lock Microswitch	
<b>4</b>	F431901	Spacer	
<b>5</b>	F320200	Door Lock Splash Shield	
<b>6</b>	F8223201	Door Lock Plate Assembly	Models through 10/31/10
	F8223202	Door Lock Plate Assembly	Models starting 11/1/10
<b>7</b>	F430956	Screw	
<b>8</b>	F8059701	Door Lock Plate Shim	Models through 9/25/09
	F8344401	Door Lock Plate Shim	Models starting 9/26/09
<b>9</b>	F8245001	Door Lock Cover	
<b>10</b>	F8484401	Shim	
<b>11</b>	F8223601	Door Lock Catch	Models through 10/31/10
	F8344501	Door Lock Catch	Models starting 11/1/10
<b>12</b>	F8270701	Bolt	
<b>13</b>	F430264	Nut	
<b>14</b>	F8223401	Door Lock Switch Lever	
<b>15</b>	F8070301	Torsion/Door Lock Spring	
<b>16</b>	F430232	Nut	
<b>17</b>	F431902	Washer	

**N/A = Part no longer available**

# Basket, Shell, Frame and Trunnion - Design 1 Models (Drawing 1 of 3)

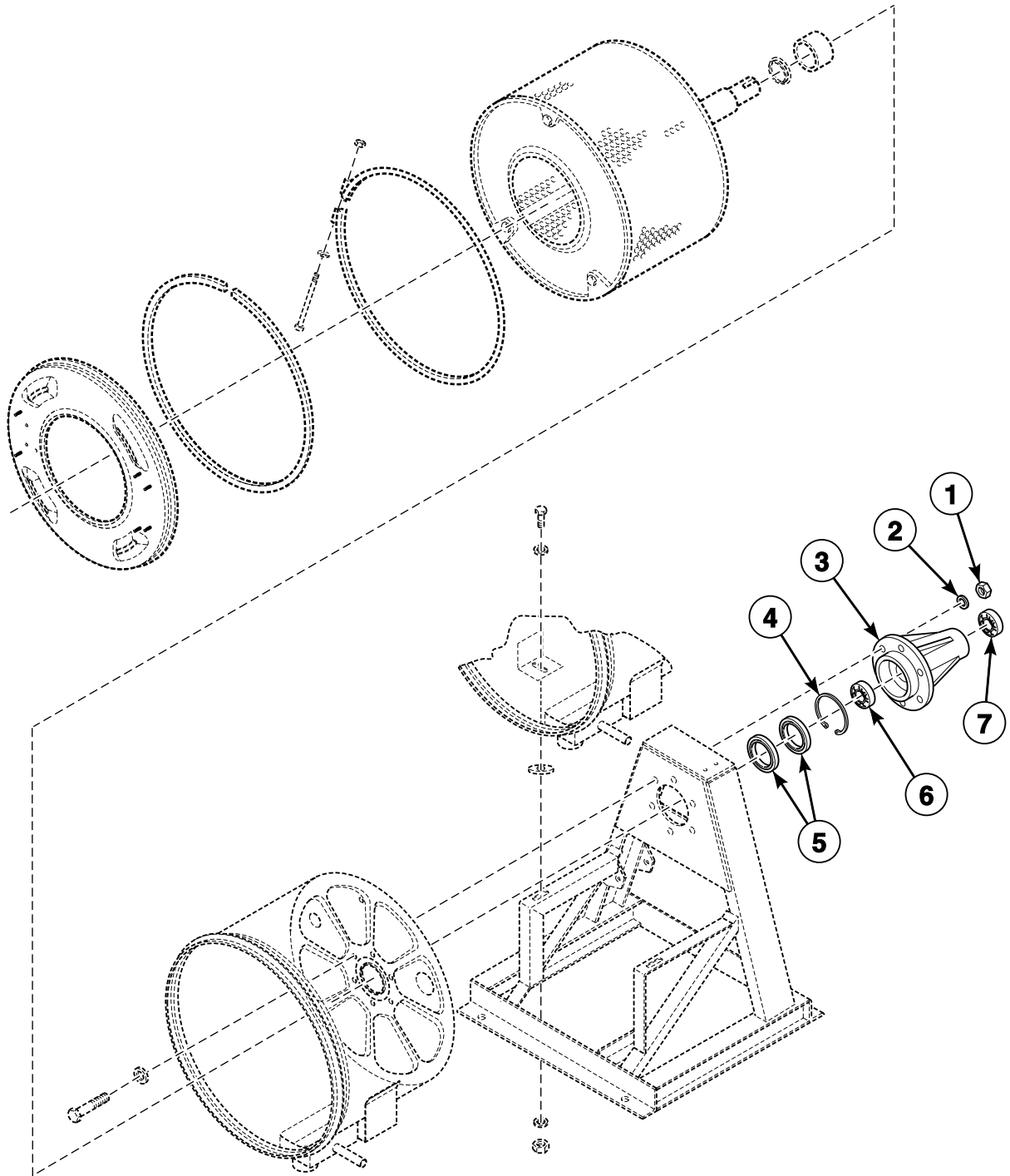


CHM3153P\_F8339401

## Basket, Shell, Frame and Trunnion - Design 1 Models (Drawing 1 of 3)

REF	PART NO.	DESCRIPTION	COMMENTS
	389P4	Basket Tool Kit	Use with F935P3, F936P3, F938P3 and F939P3 Pressfit Upgrade Kits
	390P4	Basket Rental Tool Kit	Use with F935P3, F936P3, F938P3 and F939P3 Pressfit Upgrade Kits
<b>1</b>	F8229401	Shell Front Assembly	20 pound models
	F8229501	Shell Front Assembly	30 pound models
	F8229601	Shell Front Assembly	40 pound models
	F8229701	Shell Front Assembly	60 pound models
<b>2</b>	F200001600P	Shell Band Gasket	
<b>3</b>	F602757	Shell Band Assembly	20 pound models
	F631977	Shell Band Assembly	30 pound models
	F741701	Shell Band Kit	40 pound models
	F741702	Shell Band Kit	60 pound models
<b>4</b>	F430518	Screw	
<b>5</b>	F430317	Washer	
<b>6</b>	F430215	Nut	
<b>7</b>	F935P3	Pressfit Upgrade Kit	20 pound models; Models through 3/31/10; Includes items 8, 9, F8347801 Basket Assembly and F747001 Trunnion Kit
	F8347801P	Basket Assembly	20 pound models; Models that have been upgraded with F935P3 Pressfit Upgrade Kit or models starting 4/1/10; Includes item 8 and 9
	F936P3	Pressfit Upgrade Kit	30 pound models; Models through 3/31/10; Includes items 8, 9, F8347901 Basket Assembly and F747002 Trunnion Kit
	F8347901P	Basket Assembly	30 pound models; Models that have been upgraded with F936P3 Pressfit Upgrade Kit or models starting 4/1/10; Includes item 8 and 9
	F938P3	Pressfit Upgrade Kit	40 pound models; Models through 3/31/10; Includes items 8, 9 and trunnion
	F8391701	Basket Assembly	40 pound models; Models that have been upgraded with F938P3 Pressfit Upgrade Kit or models starting 4/1/10; Includes items 8 and 9
	F939P3	Pressfit Upgrade Kit	60 pound models; Models through 3/31/10; Includes items 8, 9 and trunnion
	F8391901	Basket Assembly	60 pound models; Models that have been upgraded with F939P3 Pressfit Upgrade Kit or models starting 4/1/10; Includes items 8 and 9
	<b>8</b>	F8336801	Excluder Seal
F8336901		Excluder Seal	30 pound models; Models that have been upgraded with F936P3 Pressfit Upgrade Kit or models starting 4/1/10
F8337001		Excluder Seal	40 pound models; Models that have been upgraded with F938P3 Pressfit Upgrade Kit or models starting 4/1/10
F8337101		Excluder Seal	60 pound models; Models that have been upgraded with F939P3 Pressfit Upgrade Kit or models starting 4/1/10
<b>9</b>	F8343901P	Shaft Seal Sleeve Kit	20 pound models
	F8343904P	Shaft Seal Sleeve Kit	30 pound models
	F8343906P	Shaft Seal Sleeve Kit	40 pound models
	F8343909P	Shaft Seal Sleeve Kit	60 pound models

# Basket, Shell, Frame and Trunnion - Design 1 Models (Drawing 2 of 3)



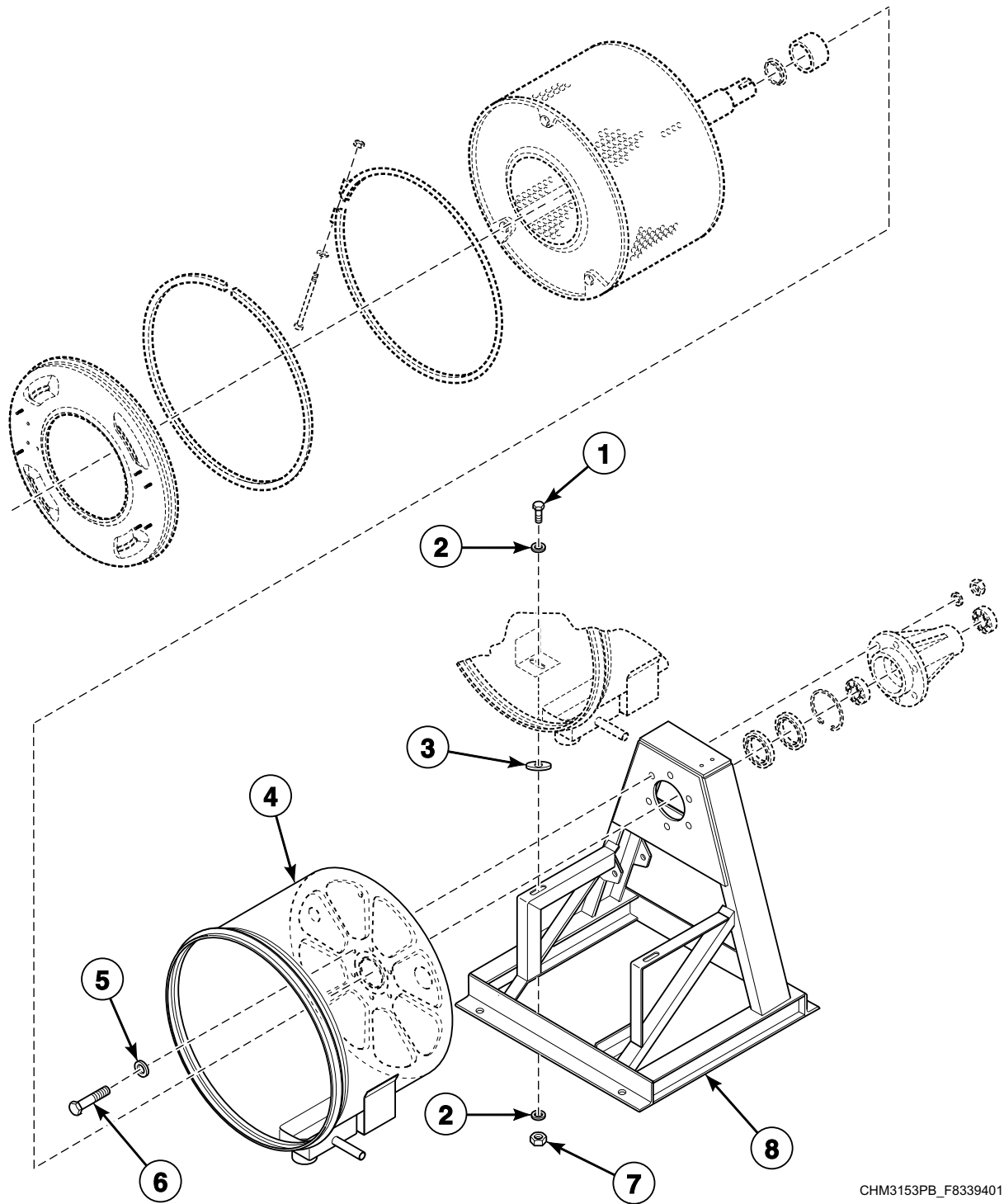
CHM3153PA\_F8339401



## Basket, Shell, Frame and Trunnion - Design 1 Models (Drawing 2 of 3)

REF	PART NO.	DESCRIPTION	COMMENTS
1	F430239	Nut	20 pound models
	F430240	Nut	All other models
2	F431128	Washer	20 pound models
	F431131	Washer	All other models
3	F747001	Trunnion Kit	20 pound models; Includes items 4-6
	F747002	Trunnion Kit	30 pound models; Includes items 4-6
	F747003	Trunnion Kit	40 pound models; Includes items 4-6
	F747005	Trunnion Kit	60 pound models; Includes items 4-6
4	F8344901	Retaining Ring	20 pound models; Models that have been upgraded with F935P3 Pressfit Upgrade Kit or models starting 4/1/10
	F8345001	Retaining Ring	30 pound models; Models that have been upgraded with F936P3 Pressfit Upgrade Kit or models starting 4/1/10
	F8337801	Retaining Ring	40 pound models; Models that have been upgraded with F938P3 Pressfit Upgrade Kit or models starting 4/1/10
	F8337901	Retaining Ring	60 pound models; Models that have been upgraded with F939P3 Pressfit Upgrade Kit or models starting 4/1/10
5	F8203801	Triple Lip Seal	20 pound models
	F8203802	Triple Lip Seal	30 pound models
	F8203803	Triple Lip Seal	40 pound models
	F8203806	Triple Lip Seal	60 pound models
6	F100137P	Bearing	20 and 40 pound models; 6308 2RS C3; Front
	F100123P	Bearing	30 pound models; 6309 2RS C3; Front
	F100135	Bearing	60 pound models; 6313 2RS C3; Front
7	F100136P	Bearing	20 pound models; 6307 2RS C3; Rear
	F100108	Bearing	30 pound models; Rear
	F100134	Bearing	40 and 60 pound models; 6310 2RS C3; Rear

# Basket, Shell, Frame and Trunnion - Design 1 Models (Drawing 3 of 3)

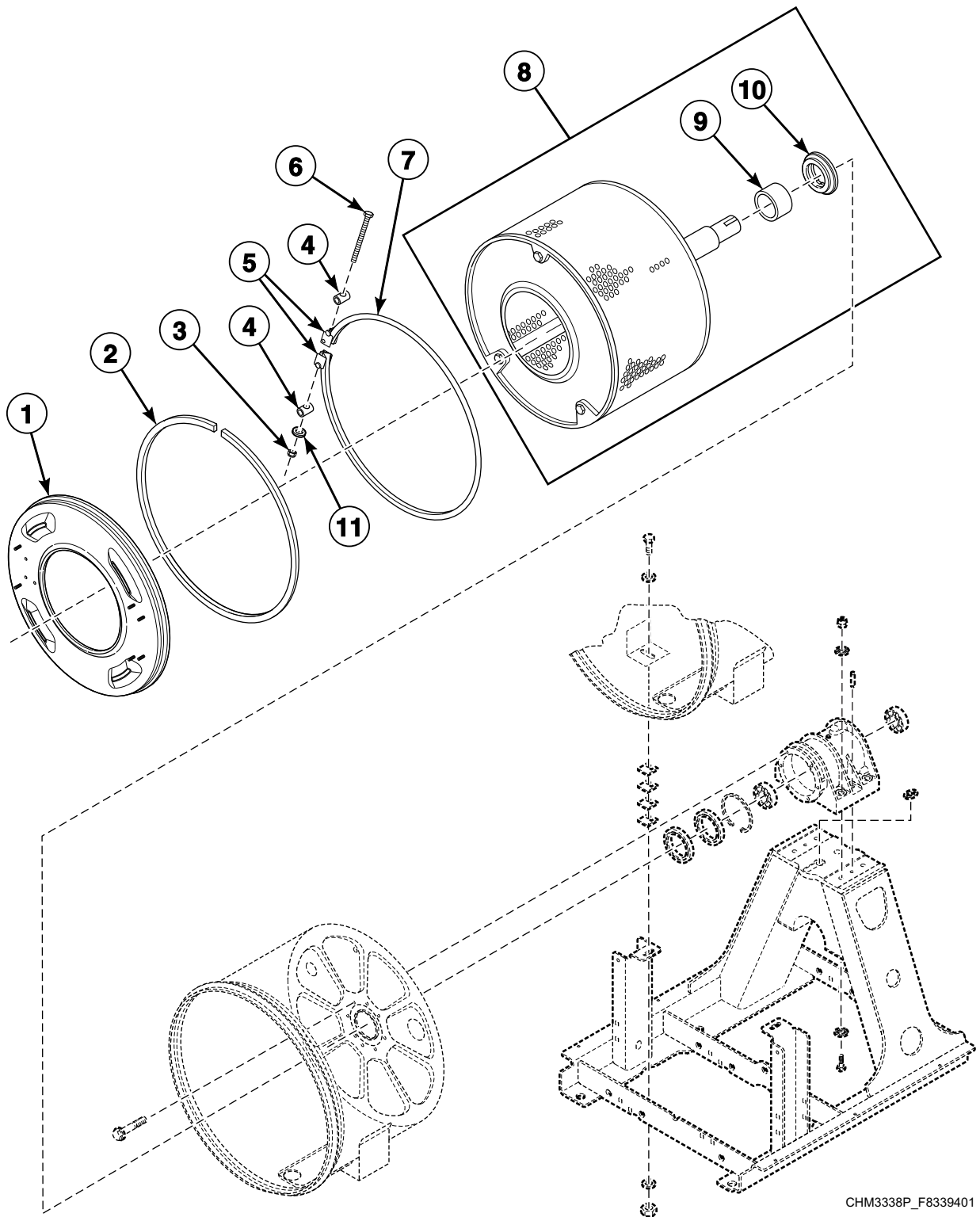


CHM3153PB\_F8339401

## Basket, Shell, Frame and Trunnion - Design 1 Models (Drawing 3 of 3)

REF	PART NO.	DESCRIPTION	COMMENTS
	1111P	Concrete Kit	5/8 inch
	F8498101	Concrete Epoxy Kit	
<b>1</b>	F430942	Screw	
<b>2</b>	M400081	Washer	
<b>3</b>	F430303	Washer	
<b>4</b>	F8179201	Shell Weldment	20 pound models; Standard
	F8179301	Shell Weldment	30 pound models; Standard
	F8179401	Shell Weldment	40 pound models; Standard
	F8179501	Shell Weldment	60 pound models; Standard
<b>5</b>	F431128	Washer	20 pound models
	F431131	Washer	All other models
<b>6</b>	F430949	Screw	20 pound models
	F8442701	Screw	All other models
<b>7</b>	F430218	Nut	
<b>8</b>	F8195901	Frame Weldment	20 pound models
	F8196001	Frame Weldment	30 pound models
	F8196101	Frame Weldment	40 pound models
	F8199101	Frame Weldment	60 pound models

# Basket, Shell, Frame and Trunnion - Design 2 and 3 Models (Drawing 1 of 3)

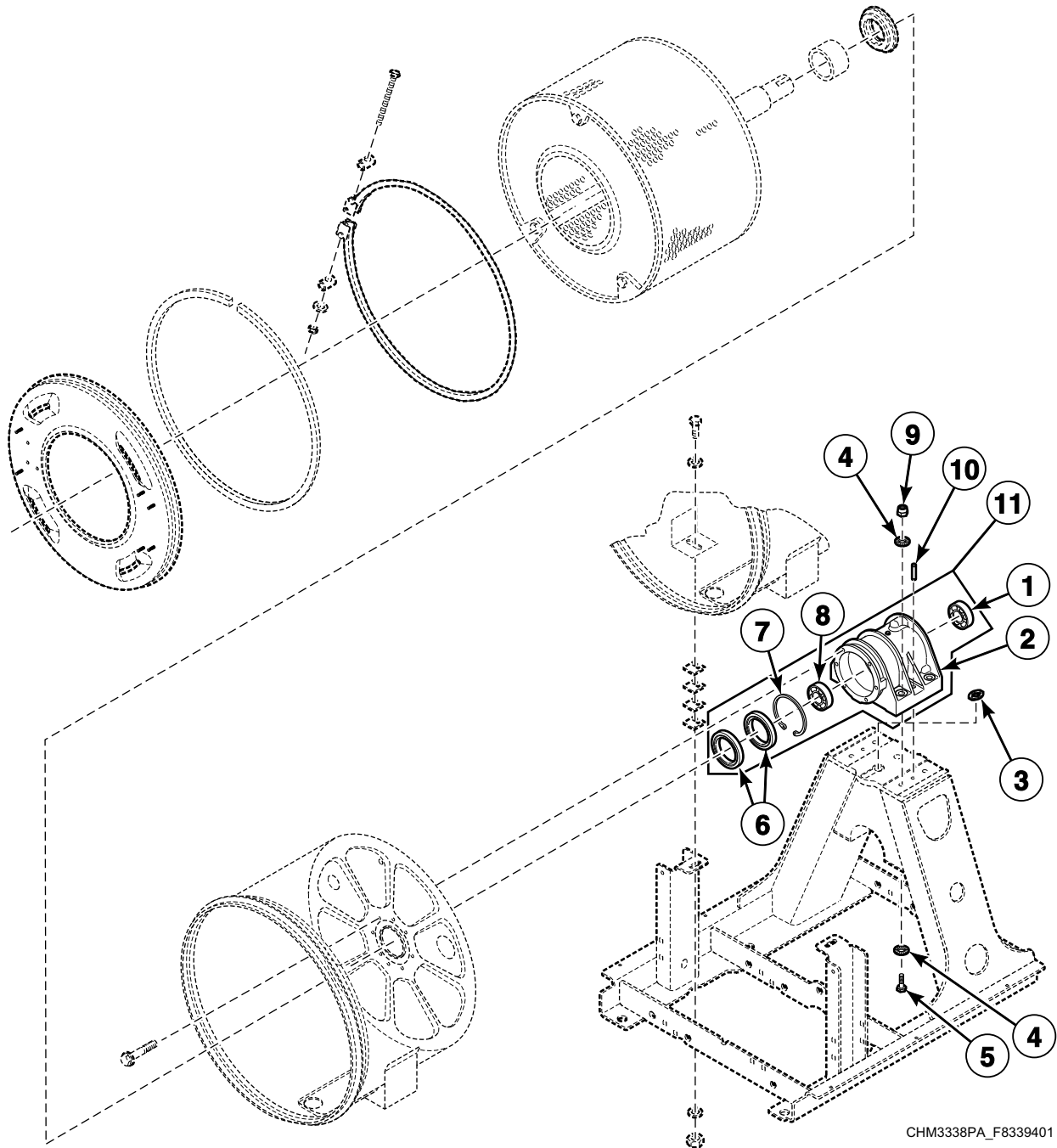


CHM3338P\_F8339401

## Basket, Shell, Frame and Trunnion - Design 2 and 3 Models (Drawing 1 of 3)

REF	PART NO.	DESCRIPTION	COMMENTS
	389P4	Basket Tool Kit	Use with F935P3, F936P3, F938P3 and F939P3 Pressfit Upgrade Kits
	390P4	Basket Rental Tool Kit	Use with F935P3, F936P3, F938P3 and F939P3 Pressfit Upgrade Kits
	F8388001	Clamp Ring Assembly	Includes item 5 and 7; 20 pound models
	F8388002	Clamp Ring Assembly	Includes item 5 and 7; 30 pound models
	F741701	Shell Band Kit	Includes item 5 and 7; 40 pound models
	F8388004	Clamp Ring Assembly	Includes item 5 and 7; 60 pound models
<b>1</b>	F8229401	Shell Front Assembly	20 pound models
	F8229501	Shell Front Assembly	30 pound models
	F8229601	Shell Front Assembly	40 pound models
	F8229701	Shell Front Assembly	60 pound models
<b>2</b>	F200001600P	Shell Band Gasket	
<b>3</b>	F430215	Nut	
<b>4</b>	F8302701	Pin	
<b>5</b>	F8302401	Bracket Clamp Ring	
<b>6</b>	800462	Screw	
<b>7</b>	F741700	Shell Band Kit	20 pound models
	F631838	Outer Shell Band	30 pound models
	F603108	Outer Shell Band	40 pound models
	F603207	Outer Shell Band	60 pound models
<b>8</b>	F8391301	Basket Assembly	20 pound models
	F8391501	Basket Assembly	30 pound models
	F8391701	Basket Assembly	40 pound models
	F8391901	Basket Assembly	60 pound models
<b>9</b>	F8343901P	Shaft Seal Sleeve Kit	20 pound models
	F8343904P	Shaft Seal Sleeve Kit	30 pound models
	F8343906P	Shaft Seal Sleeve Kit	40 pound models
	F8343909P	Shaft Seal Sleeve Kit	60 pound models
<b>10</b>	F8336801	Excluder Seal	20 pound models; Models that have been upgraded with F935P3 Pressfit Upgrade Kit or models starting 4/1/10
	F8336901	Excluder Seal	30 pound models; Models that have been upgraded with F936P3 Pressfit Upgrade Kit or models starting 4/1/10
	F8337001	Excluder Seal	40 pound models; Models that have been upgraded with F938P3 Pressfit Upgrade Kit or models starting 4/1/10
	F8337101	Excluder Seal	60 pound models; Models that have been upgraded with F939P3 Pressfit Upgrade Kit or models starting 4/1/10
<b>11</b>	M400081	Washer	

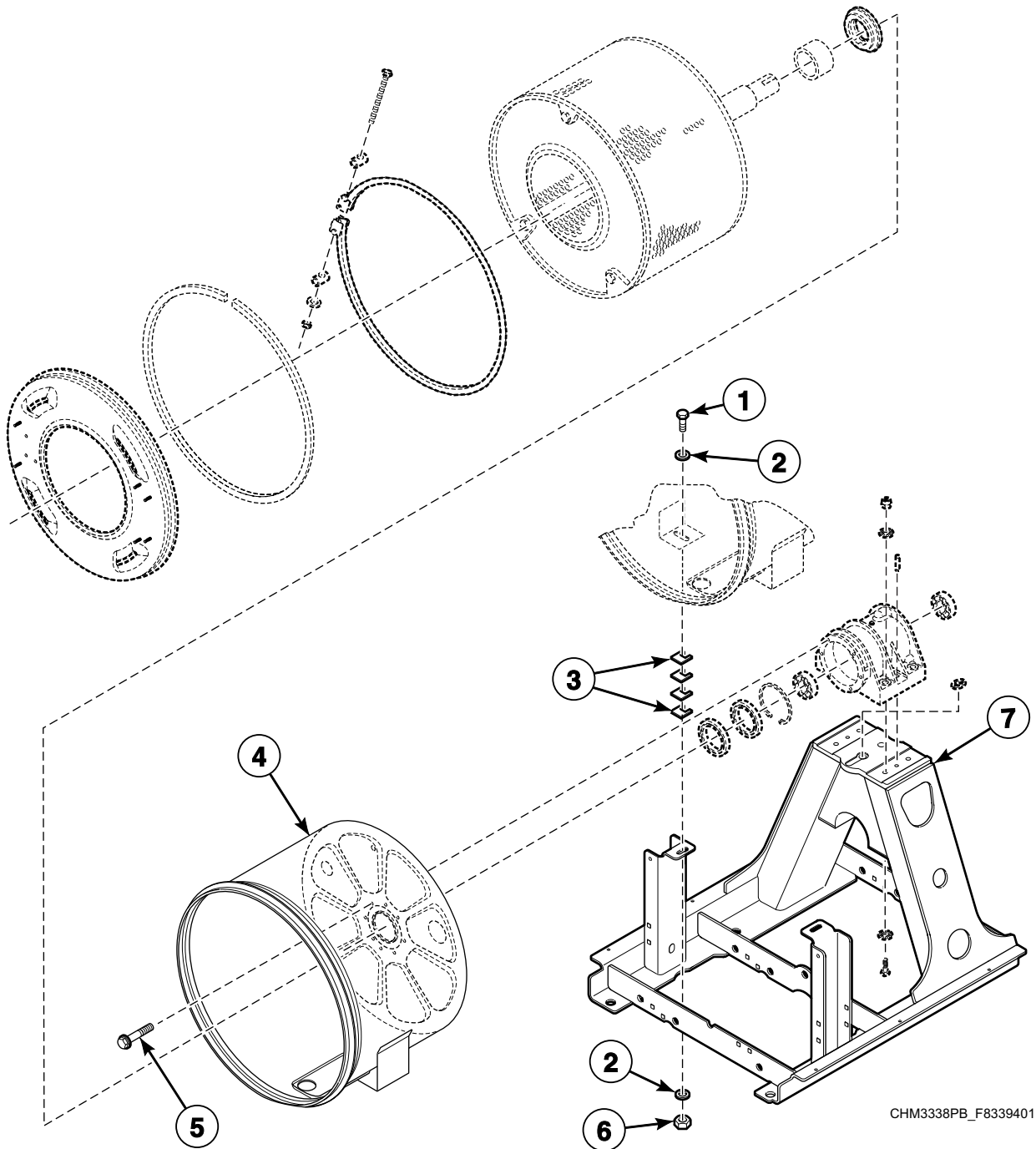
# Basket, Shell, Frame and Trunnion - Design 2 and 3 Models (Drawing 2 of 3)



## Basket, Shell, Frame and Trunnion - Design 2 and 3 Models (Drawing 2 of 3)

REF	PART NO.	DESCRIPTION	COMMENTS
1	F100137P	Bearing	20 and 40 pound models; 6308 2RS C3; Front
	F100123P	Bearing	30 pound models; 6309 2RS C3; Front
	F100135	Bearing	60 pound models; 6313 2RS C3; Front
2	F8247902	Bearing Housing	20 pound models
	F8246802	Bearing Housing	30 pound models
	F8249902	Bearing Housing	40 pound models
	F8250902	Bearing Housing	60 pound models
3	F8350301	Seal Scupper Pad	20 and 30 pound models
	F8350302	Seal Scupper Pad	40 pound models
	F8350303	Seal Scupper Pad	60 pound models
4	F8366601	Washer	20 pound models
	F430339	Washer	All other models
5	F8368801	Screw	20 pound models
	F8368701	Screw	All other models
6	F8203801	Triple Lip Seal	20 pound models
	F8203802	Triple Lip Seal	30 pound models
	F8203803	Triple Lip Seal	40 pound models
	F8203806	Triple Lip Seal	60 pound models
7	F8344901	Retaining Ring	20 pound models; Models that have been upgraded with F935P3 Pressfit Upgrade Kit or models starting 4/1/10
	F8345001	Retaining Ring	30 pound models; Models that have been upgraded with F936P3 Pressfit Upgrade Kit or models starting 4/1/10
	F8337801	Retaining Ring	40 pound models; Models that have been upgraded with F938P3 Pressfit Upgrade Kit or models starting 4/1/10
	F8337901	Retaining Ring	60 pound models; Models that have been upgraded with F939P3 Pressfit Upgrade Kit or models starting 4/1/10
8	F100136P	Bearing	20 pound models; 6307 2RS C3; Rear
	F100108	Bearing	30 pound models; Rear
	F100134	Bearing	40 and 60 pound models; 6310 2RS C3; Rear
9	F8387601	Nut	20 pound models
	F8387701	Nut	All other models
10	F8388101	Dowel Pin	20 pound models
	F8388201	Dowel Pin	All other models
11	F8271601	Bearing Housing Assembly	20 pound models
	F8271701	Bearing Housing Assembly	30 pound models
	F8271801	Bearing Housing Assembly	40 pound models
	F8271901	Bearing Housing Assembly	60 pound models

# Basket, Shell, Frame and Trunnion - Design 2 and 3 Models (Drawing 3 of 3)

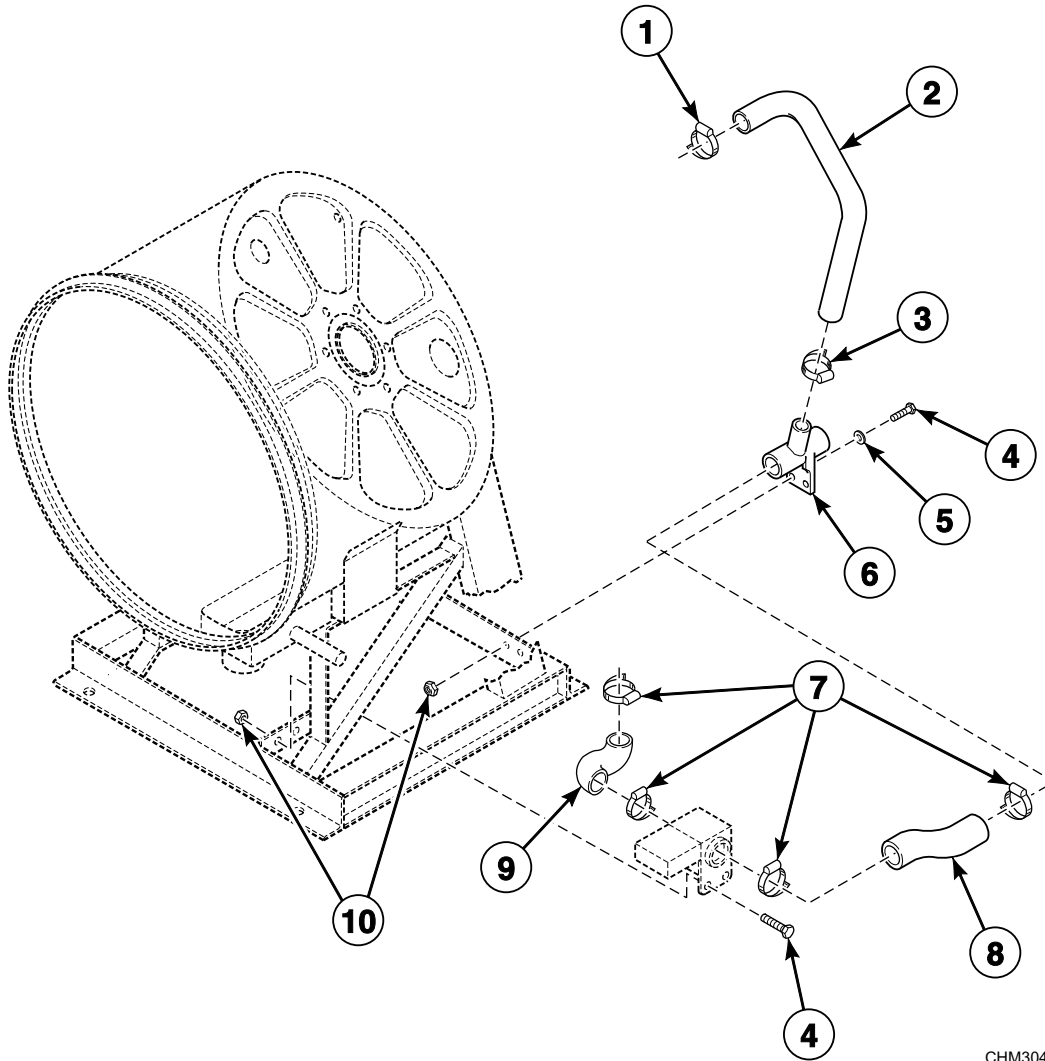




## Basket, Shell, Frame and Trunnion - Design 2 and 3 Models (Drawing 3 of 3)

REF	PART NO.	DESCRIPTION	COMMENTS
	1111P	Concrete Kit	5/8 inch
	F8498101	Concrete Epoxy Kit	
	F8433301	Frame Template	20 pound models
	F8433401	Frame Template	30 pound models
	F8433501	Frame Template	40 pound models
	F8433601	Frame Template	60 pound models
<b>1</b>	H88213996	Screw	
<b>2</b>	M400081	Washer	
<b>3</b>	F8402701	Washer	
<b>4</b>	F8360601	Shell Weldment	20 pound models; Standard
	F8360701	Shell Weldment	30 pound models; Standard
	F8360801	Shell Weldment	40 pound models; Standard
	F8360901	Shell Weldment	60 pound models; Standard
<b>5</b>	F8442701	Screw	
<b>6</b>	44087301	Nut	
<b>7</b>	F8247001	Frame Weldment	20 pound models
	F8248001	Frame Weldment	30 pound models
	F8249001	Frame Weldment	40 pound models
	F8250001	Frame Weldment	60 pound models

# Drain Plumbing - Design 1 Models

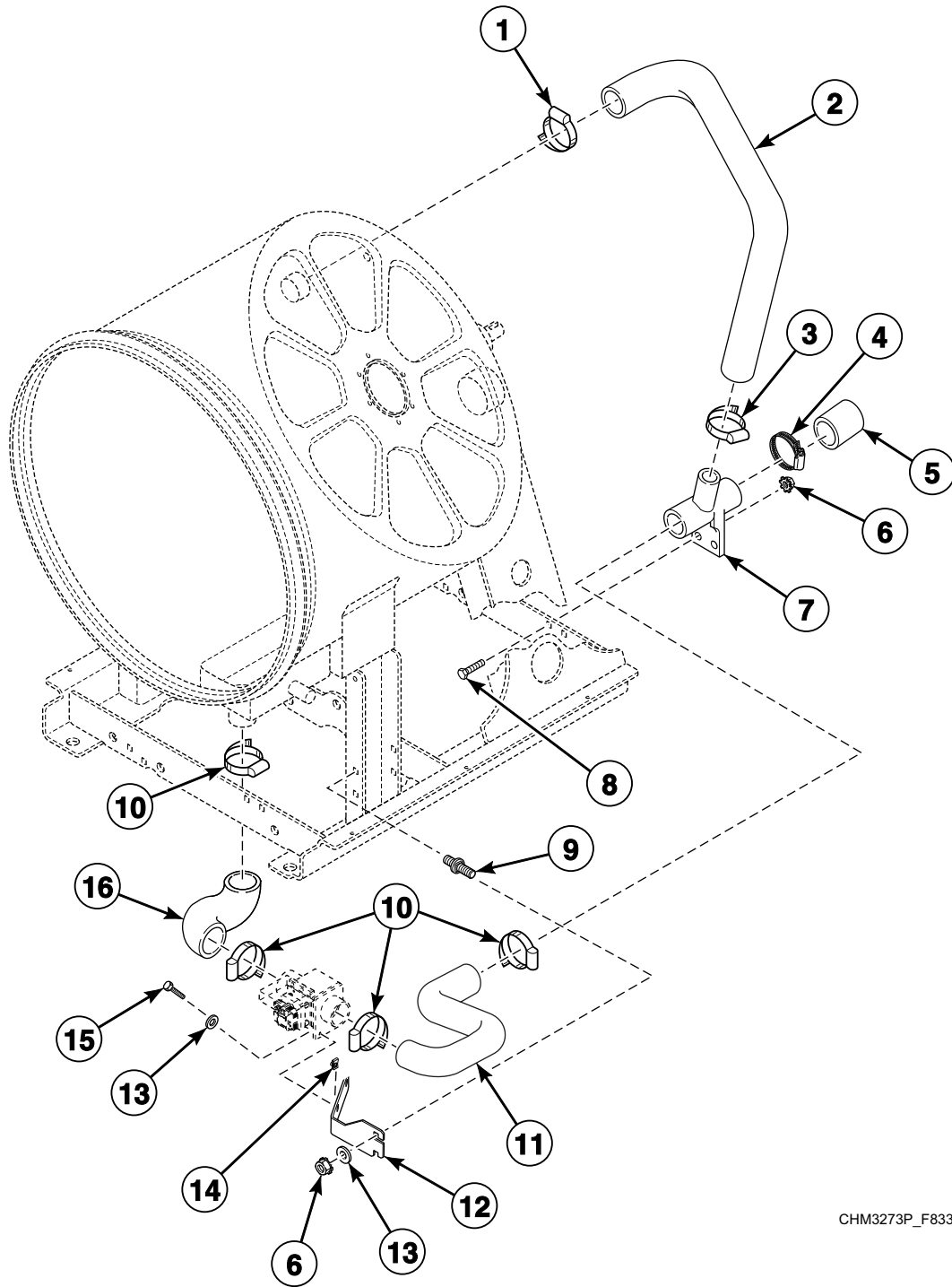


CHM3046P\_F8339401

## Drain Plumbing - Design 1 Models

REF	PART NO.	DESCRIPTION	COMMENTS
1	F200213	Hose Clamp	No. 40
2	F150308	Overflow Hose	20 and 30 pound models
	F0200238-00	Overflow Hose	40 pound models
	F8337701	Overflow Hose	40 pound models; Electric heat
	F150417	Overflow Hose	60 pound models
3	F200215	Hose Clamp	No. 28; 40 pound models
	F200213	Hose Clamp	No. 40; All other models
4	F430107	Screw	
5	F430317	Washer	
6	F150318	Drain Connect Tee	20 and 30 pound models
	F150398	Drain Tee	40 and 60 pound models
7	F200213	Hose Clamp	No. 40; 20 and 30 pound models
	F200201	Hose Clamp	No. 56; 40 and 60 pound models
8	F8233101	Drain Hose	20 pound models
	F8233102	Drain Hose	30 pound models
	F8231901	Drain Hose	40 pound models
	F8231902	Drain Hose	60 pound models
9	F8233001	Drain Hose	20 and 30 pound models
	F8232901	Drain Hose	40 and 60 pound models
10	F430215	Nut	

# Drain Plumbing - Design 2 and 3 Models

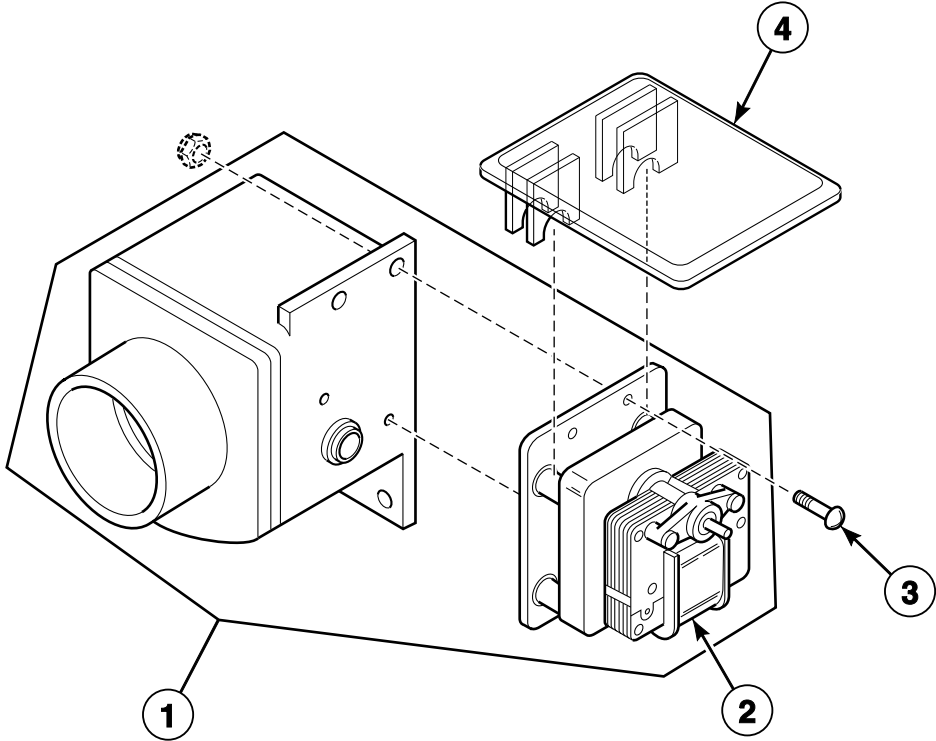


CHM3273P\_F8339401

## Drain Plumbing - Design 2 and 3 Models

REF	PART NO.	DESCRIPTION	COMMENTS
1	F200213	Hose Clamp	No. 40
2	F8367901	Overflow Hose	20 pound models
	F8368001	Overflow Hose	30 pound models
	F8367201	Overflow Hose	40 and 60 pound models
3	F200215	Hose Clamp	No. 28; 40 pound models
	F200213	Hose Clamp	No. 40; All other models
4	F200201	Hose Clamp	No. 56; 40 and 60 pound models
5	F200165100	Drain Hose	40 and 60 pound models
6	44087201	Nut	
7	F150318	Drain Connect Tee	20 and 30 pound models
	F150398	Drain Tee	40 and 60 pound models
8	F430522	Bolt	20 and 30 pound models
	F8402801	Bolt	40 and 60 pound models
9	70334702	Stud	
10	F200213	Hose Clamp	No. 40; 20 and 30 pound models
	F200201	Hose Clamp	No. 56; 40 and 60 pound models
11	F8365601	Rear Drain Hose	20 pound models
	F8365602	Rear Drain Hose	30 pound models
	F8231904	Rear Drain Hose	40 pound models
	F8231905	Rear Drain Hose	60 pound models
12	F8365401	Bracket	20 pound models
	F8365402	Bracket	30 pound models
	F8434601	Bracket	40 pound models
	F8434701	Bracket	60 pound models
13	M405535	Washer	
14	70030401	Nut	
15	202175	Screw	
16	F8261303	Drain Hose	20 and 30 pound models; Electric heat
	F8261302	Drain Hose	20 and 30 pound models
	F8232901	Drain Hose	40 and 60 pound models
	F8233802	Drain Hose	40 and 60 pound models; Electric heat

# Drain Valve Assembly - 20 and 30 Pound Models

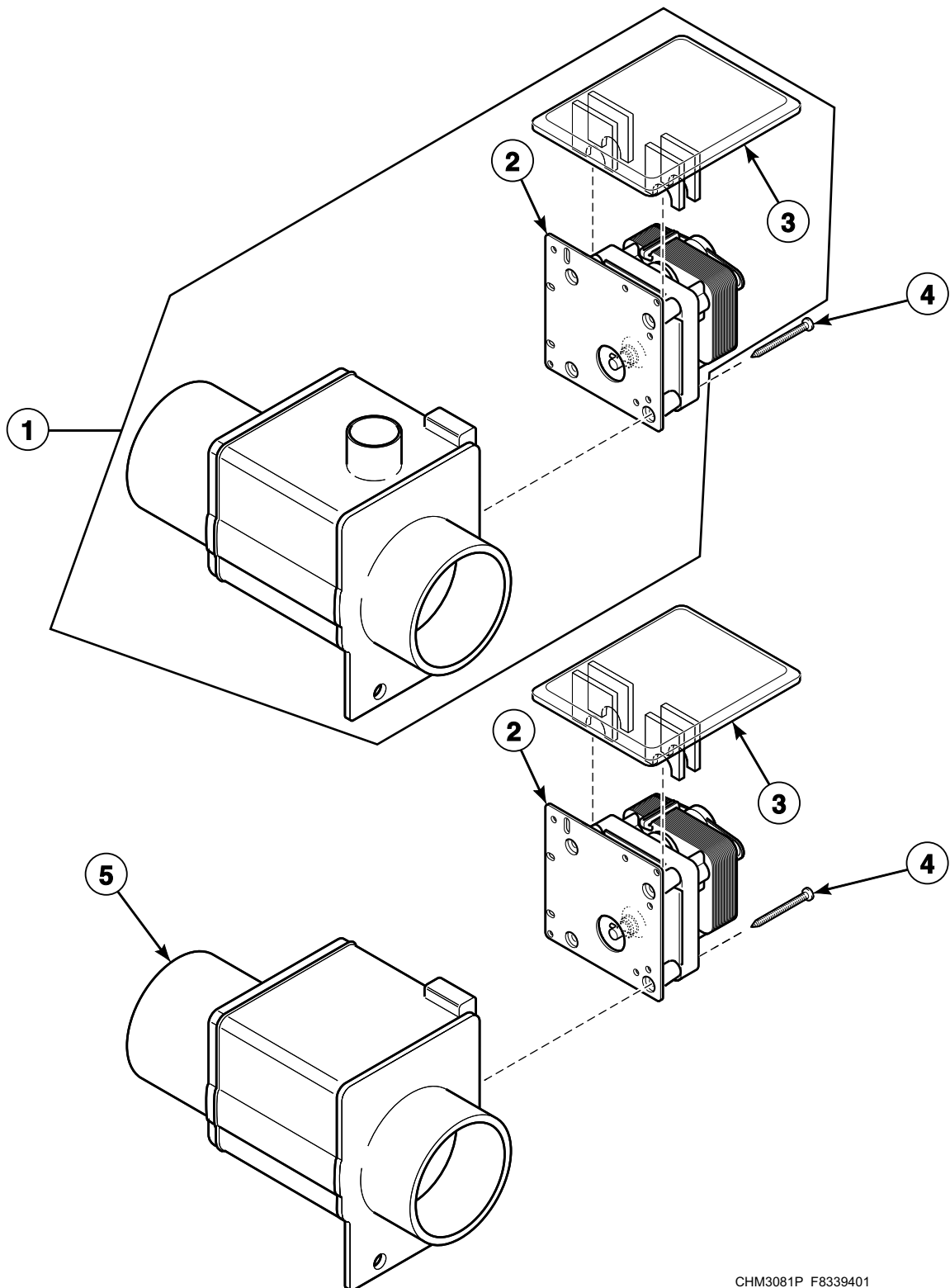


CHM2450P\_F8339401

## Drain Valve Assembly - 20 and 30 Pound Models

REF	PART NO.	DESCRIPTION	COMMENTS
	F8504601	Spring	
1	803292	Gravity Drain Valve	220 Volt
2	F380933P	Drain Valve Motor	Round shaft; 220 Volt
	G159764P	Drain Valve Motor and Gear Box Assembly	Keyed shaft; 220 Volt
3	F200182700	Bolt	
4	F200133600	Drain Valve Cover	

# Drain Valve Assembly - 40 and 60 Pound Models



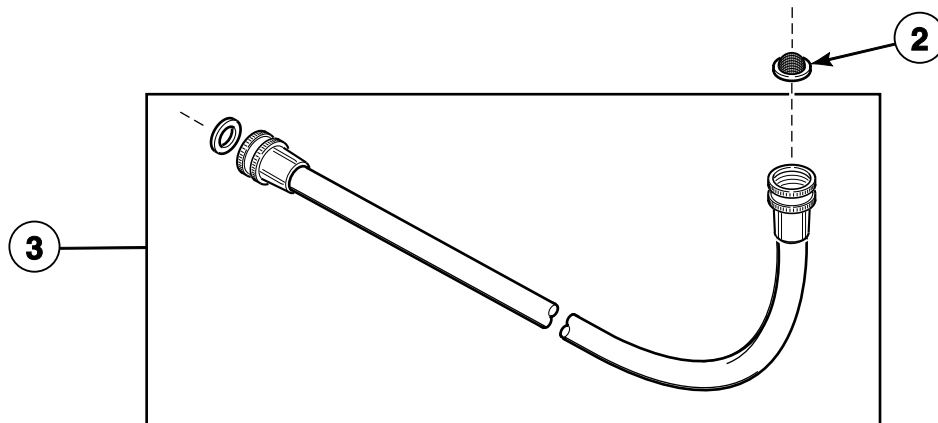
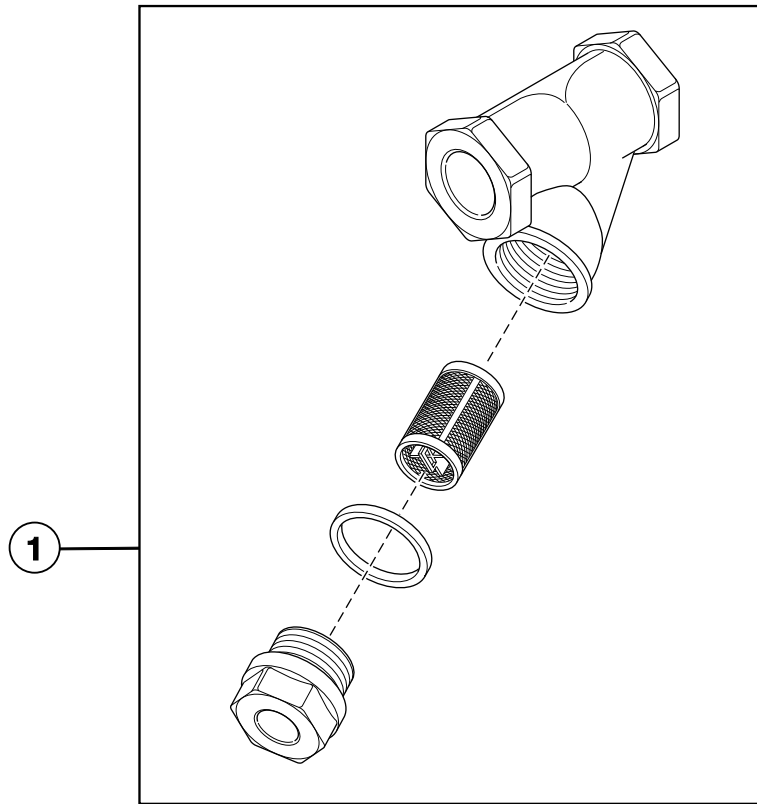
CHM3081P\_F8339401



## Drain Valve Assembly - 40 and 60 Pound Models

REF	PART NO.	DESCRIPTION	COMMENTS
	F200215	Hose Clamp	No. 28
	F150352	Overflow Plug	
<b>1</b>	F200166400	Drain Valve Kit	220 Volt; Models with heat
<b>2</b>	F380933P	Drain Valve Motor	Round shaft; 220 Volt
	G159764P	Drain Valve Motor and Gear Box Assembly	Keyed shaft; 220 Volt
<b>3</b>	F200133600	Drain Valve Cover	
<b>4</b>	F200182700	Bolt	
<b>5</b>	F200166402	Drain Valve Kit	220 Volt

# Steam Filter (Optional) and Water Supply Hose

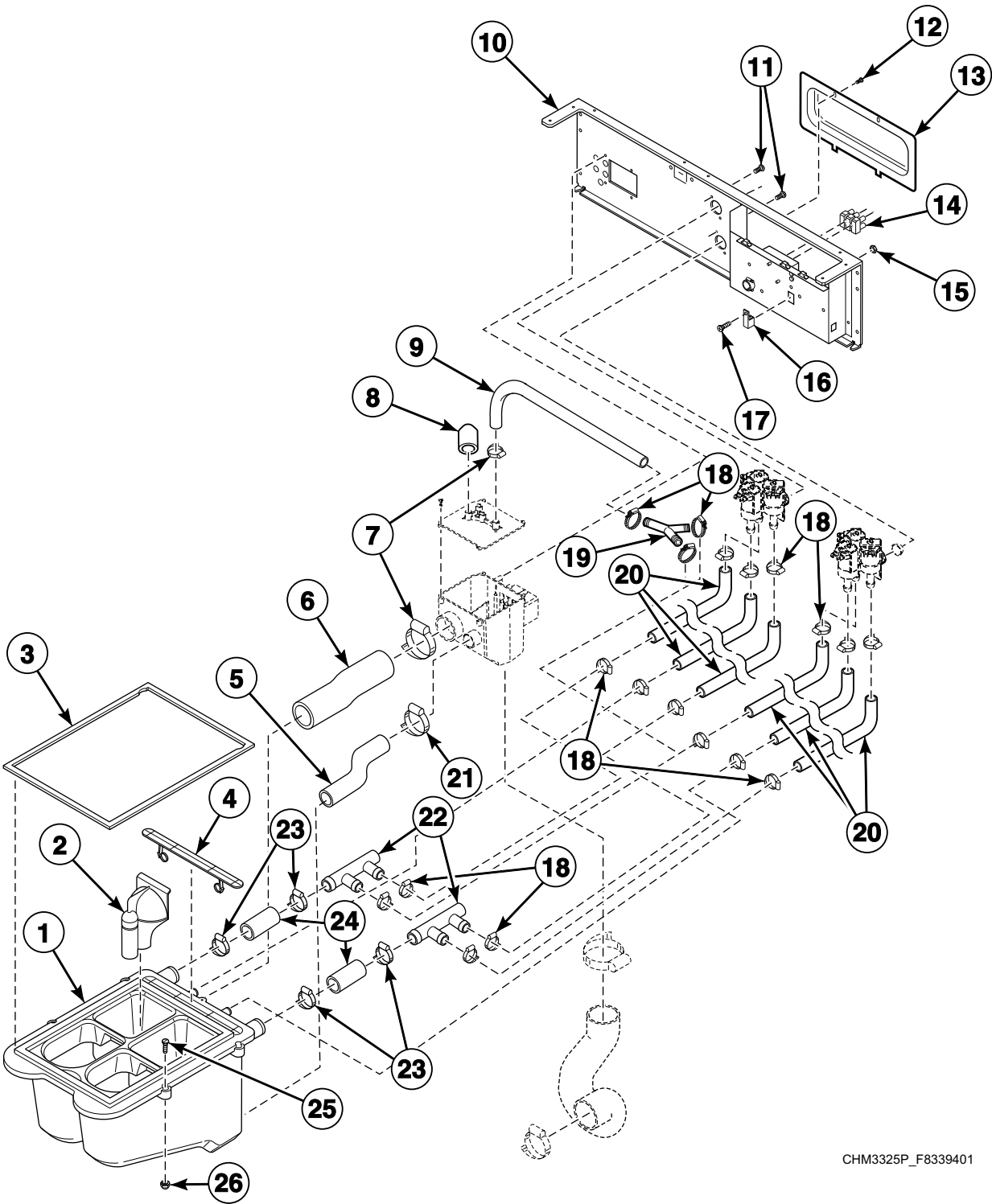


CHM3049P\_F8339401

## Steam Filter (Optional) and Water Supply Hose

REF	PART NO.	DESCRIPTION	COMMENTS
1	F270307	Steam Filter	1/2 inch
2	803615	Washer	Filter
3	F200116	Water Hose	3/8 inch; Standard thread
	F200165	Water Hose	Metric thread
	223/00049/10P	Fill Hose	Metric thread; CE

# Fill Plumbing Assembly (Drawing 1 of 2)

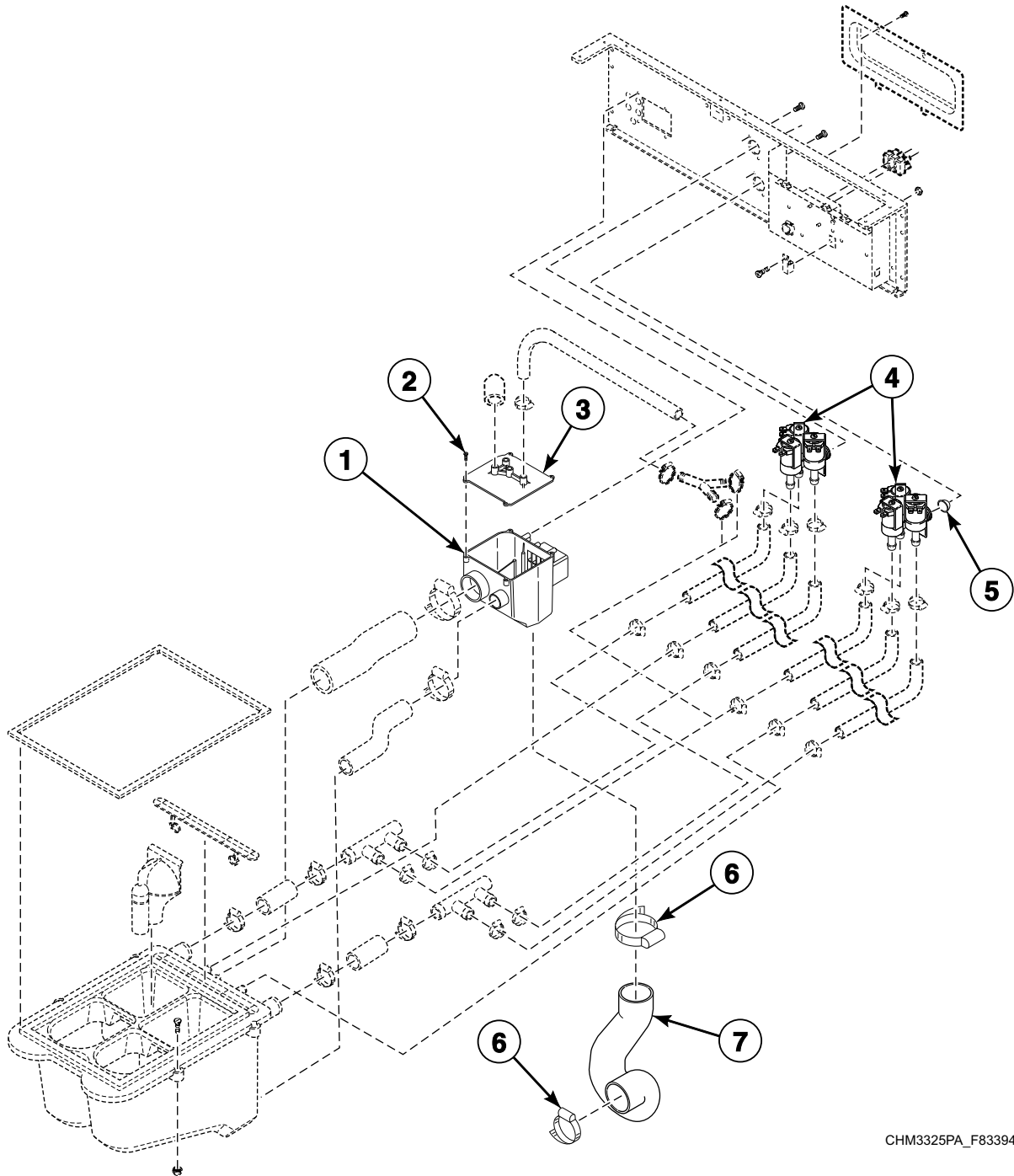


CHM3325P\_F8339401

## Fill Plumbing Assembly (Drawing 1 of 2)

REF	PART NO.	DESCRIPTION	COMMENTS
1	F8047401	Dispenser Assembly	Models through 10/15/12
	F8047402	Dispenser Assembly	Models starting 10/16/12
2	F8047901	Siphon Cover	
3	F8308301	Dispenser Gasket	
4	F8047801	Access Cover	
5	F8043401	Dispenser Overflow Hose	20 pound models
	F8043403	Dispenser Overflow Hose	30 pound models
	F8043404	Dispenser Overflow Hose	40 pound models
	F8043405	Supply Overflow Hose	60 pound models
6	F8042801	Vacuum Supply Hose	20 pound models
	F8042803	Vacuum Supply Hose	30 pound models
	F8042804	Vacuum Supply Hose	40 pound models
	F8042805	Vacuum Supply Hose	60 pound models
7	F200213	Hose Clamp	No. 40
8	F8197701	Cap	
9	F0200244-01	Vacuum Breaker Hose	60 pound models
	F0200244-02	Vacuum Breaker Hose	All other models
10	F8039901	Valve Panel	20 pound models; Design 1
	F8017501	Valve Panel	30 pound models; Design 1
	F8039601	Valve Panel	40 pound models; Design 1
	F8039801	Valve Panel	60 pound models; Design 1
	F8398701	Valve Panel	20 pound models; Design 2 and 3
	F8398801	Valve Panel	30 pound models; Design 2 and 3
	F8398901	Valve Panel	40 pound models; Design 2
	F8399001	Valve Panel	60 pound models; Design 2
11	F8230301	Screw	
12	F8206901	Screw	
13	F8177001	Terminal Tray Cover	
14	430642	Terminal Block	Includes screws
15	F430232	Nut	
16	M411283	Ground Lug Connector	
17	F430909	Screw	
18	36801	Hose Clamp	No. 8
19	F422816	Y Connector	Design 1
20	F8232004	Hose	20 pound models
	F8232001	Hose	30 pound models
	F8232002	Hose	40 and 60 pound models
21	20211	Hose Clamp	No. 17
22	F8333201	Manifold	
23	F200222	Hose Clamp	No. 12
24	F606816-1	Hose	
25	F0430268-00	Screw	
26	F0431807-00	Nut	

# Fill Plumbing Assembly (Drawing 2 of 2)

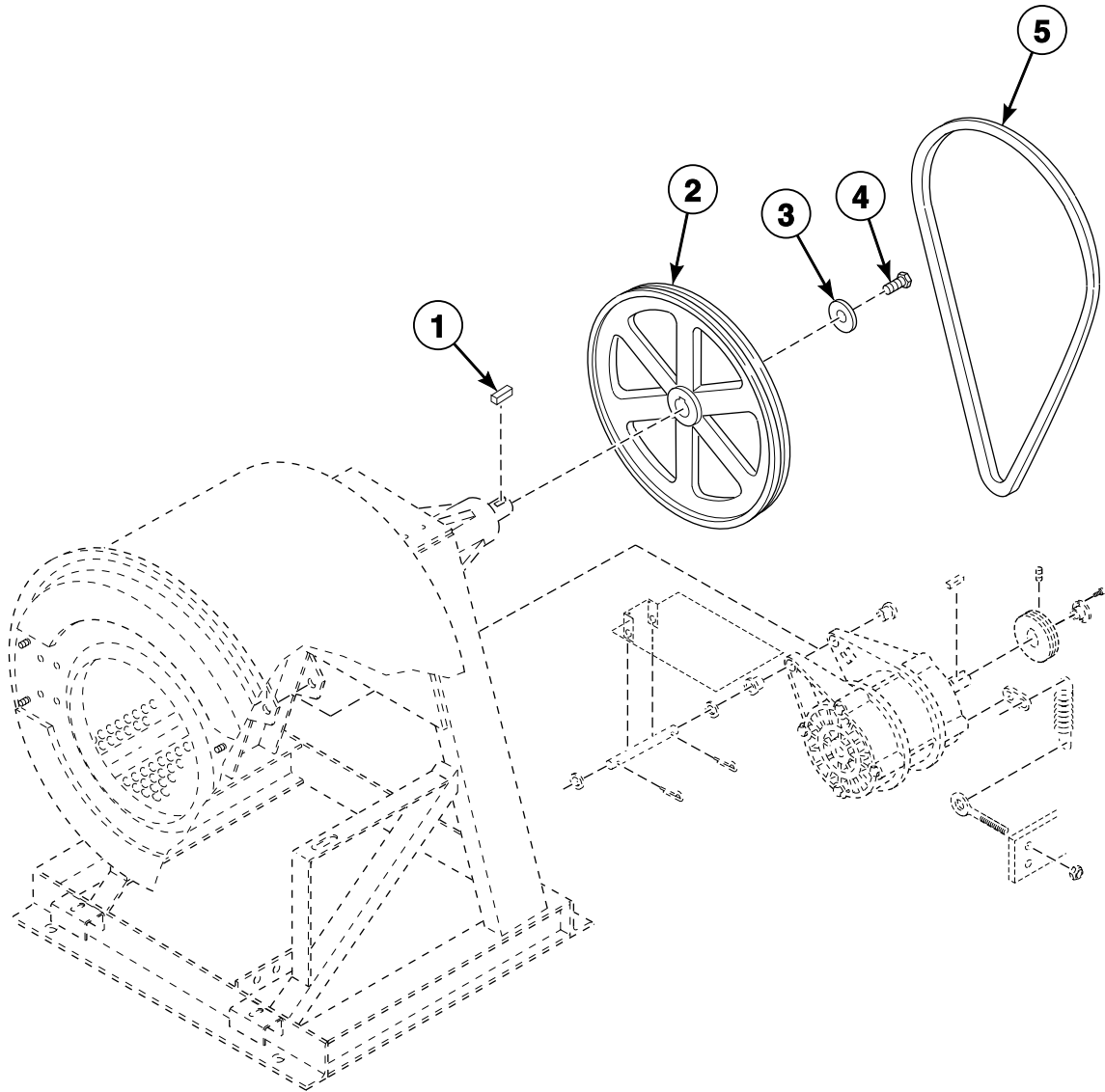


CHM3325PA\_F8339401

## Fill Plumbing Assembly (Drawing 2 of 2)

REF	PART NO.	DESCRIPTION	COMMENTS
1	F8048601	Vacuum Breaker Assembly	Includes items 2 and 3
2	800548	Screw	
3	F8439301	Vacuum Breaker Cover	
4	F8286401P	3-Way Valve	240 Volt/50 or 60 Hertz; U.S.
	F8286402P	3-Way Valve	240 Volt/50 or 60 Hertz; Metric
5	803615	Washer	Filter
6	F200213	Hose Clamp	No. 40
7	F8042201	P-Trap Hose	20 pound models
	F8042202	P-Trap Hose	30 and 40 pound models
	F8042301	P-Trap Hose	60 pound models

# Pulley and Belt - Design 1 Models (Drawing 1 of 3)



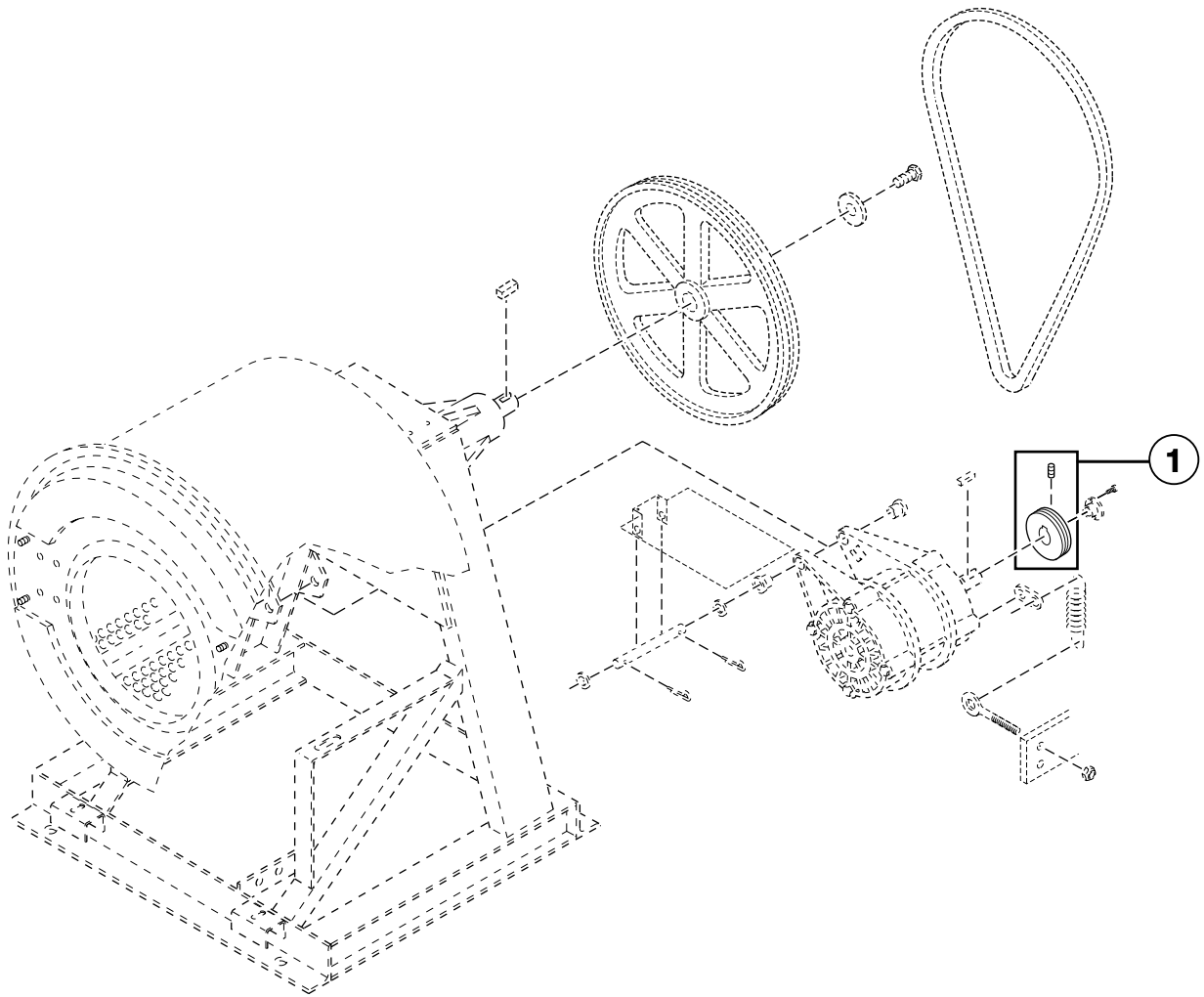
CHM3050P\_F8339401



## Pulley and Belt - Design 1 Models (Drawing 1 of 3)

REF	PART NO.	DESCRIPTION	COMMENTS
1	F430801	Key	
2	F280170	Sheave Pulley	20 pound 2 speed models; 13V1800
	F150270	Basket Pulley	20 pound F and V-speed models
	F280172	Sheave Pulley	30 pound 2 speed models; 13V2200
	F280197	Pulley	40 pound 2 speed models; 23V2200
	F150269	Basket Pulley	30 and 40 pound F and V-speed models
	F280173	Pulley	60 pound 2 speed models; 23V2400
	F200299700	Basket Pulley	60 pound F and V-speed models
3	F431115	Washer	
4	F430100	Screw	
5	F280343	Belt	20 pound 2 speed models; 3V730; C, J and O-voltage
	F280337	Belt	20 pound 2 speed models; 3V710; B, F, O and Y-voltage
	F280370	Belt	20 pound F and V-speed models; 690J4; X-voltage
	F280321	Belt	30 pound 2 speed models; 3V800; C, F, J, O and Y-voltage
	F280368P	Belt	30 pound F and V-speed models; 785J4; X-voltage
	F280341	Belt	40 pound 2 speed models; 3V850; C and J-voltage
	F280342	Belt	40 pound 2 speed models; 3V830; F, O and Y-voltage
	F280369P	Belt	40 pound F and V-speed models; 820J6; X-voltage
	F280373	Belt	60 pound 2 speed models; 3V90.65; C and J-voltage
	F280304	Belt	60 pound 2 speed models; 3V900; O-voltage
	F280366P	Belt	60 pound F and V-speed models; 870J6; X-voltage

# Pulley and Belt - Design 1 Models (Drawing 2 of 3)

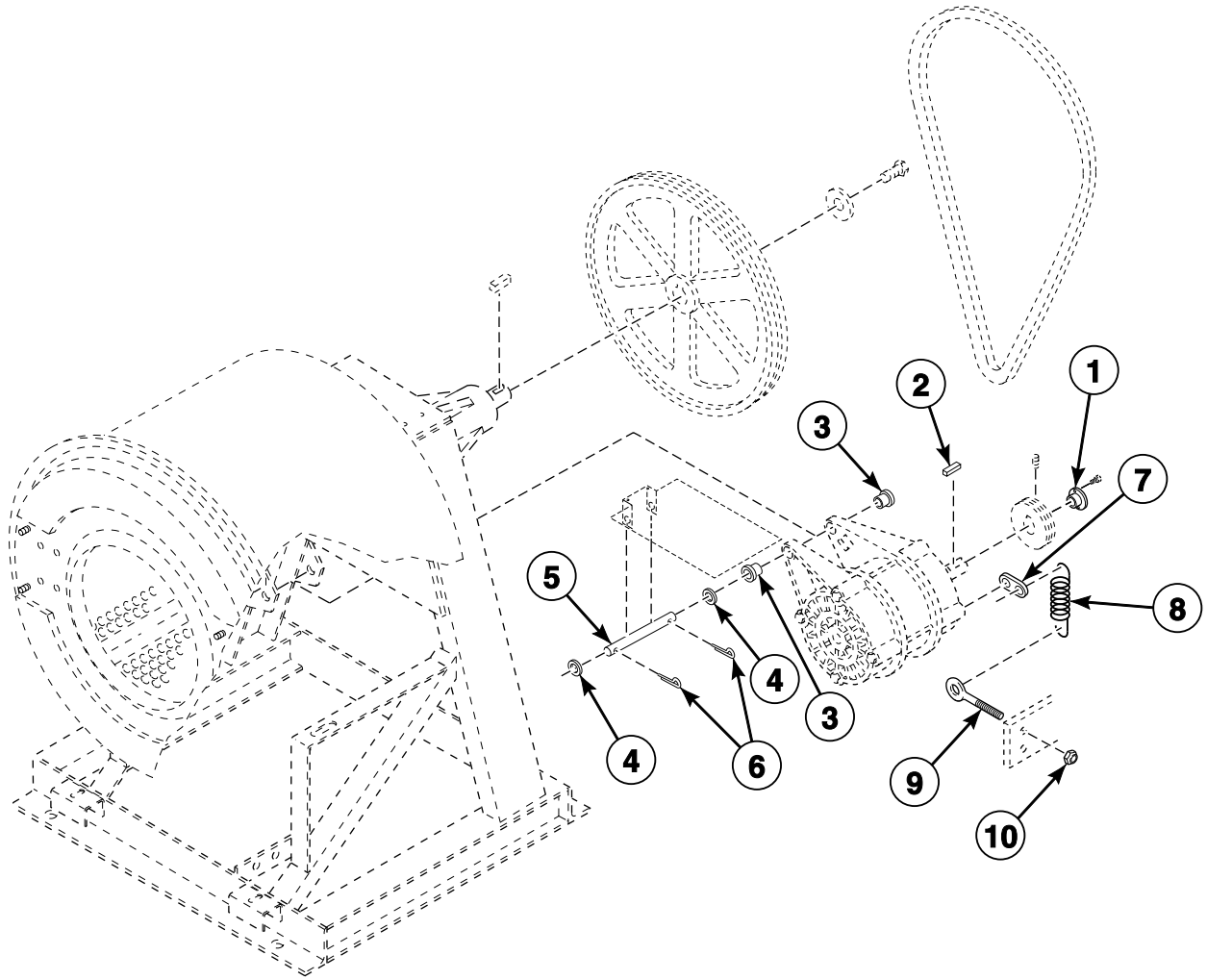


CHM3050PA\_F8339401

## Pulley and Belt - Design 1 Models (Drawing 2 of 3)

REF	PART NO.	DESCRIPTION	COMMENTS
1	F280427P	Pulley	20 pound 2 speed models; 1GR3V3.15JA; Requires JA bushing; C and J-voltage
	F280170	Sheave Pulley	20 pound 2 speed models; 1GR3V2.65; B, F, O and Y-voltage
	H87520334	Sheave	30 pound 2 speed models; 1GR3V3.35JA; Requires JA bushing; C and J-voltage
	F280284	Pulley	30 pound 2 speed models; 1GR3V2.9; F and O-voltage
	F280281	Motor Pulley	30 pound 2 speed models; 1GR3V3.0; Y-voltage
	F280172	Sheave Pulley	30 pound 2 speed models; 1GRV3V22.00; C, F, J, O and Y-voltage
	F280197	Pulley	40 pound 2 speed models; 2GRV3V22.00; C, J, O and Y-voltage
	F280105P	Pulley	40 pound 2 speed models; 2GR3V3.35SH; Requires SH bushing; C and J-voltage
	F0280385-00	Sheave	40 and 60 pound 2 speed models; 2GR3V3.00; F, O and Y-voltage
	F280422P	Pulley	60 pound 2 speed models; 2GR3V3.365SH; Requires SH bushing; C and J-voltage
	F280287P	Sheave Kit	F and V-speed models; X-voltage
	F280173	Pulley	60 pound 2 speed models; 2GRV3V24.00; C, J and O-voltage

# Pulley and Belt - Design 1 Models (Drawing 3 of 3)

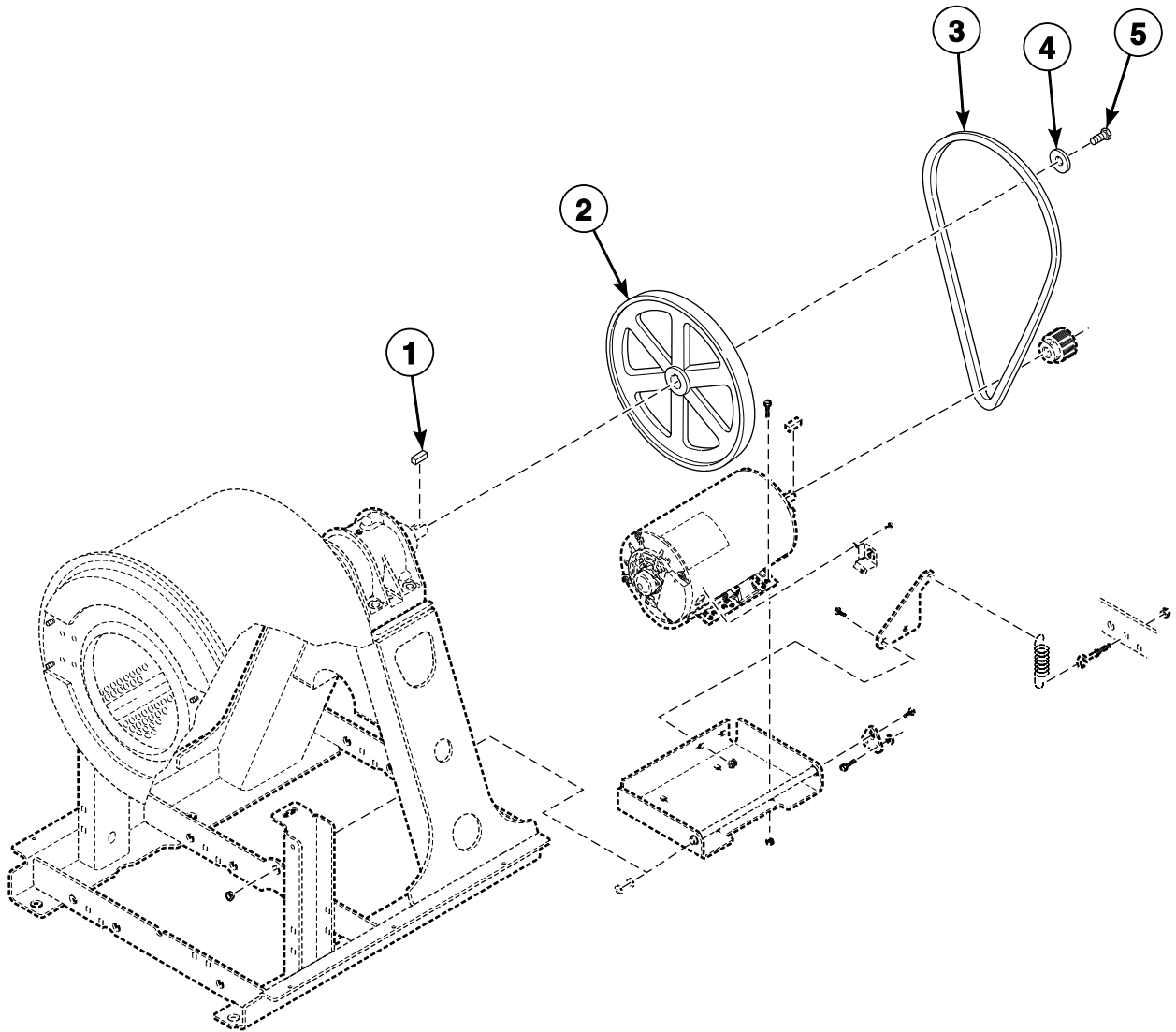


CHM3050PB\_F8339401

## Pulley and Belt - Design 1 Models (Drawing 3 of 3)

REF	PART NO.	DESCRIPTION	COMMENTS
1	H87529111P	Bushing	Models HCD020LD2, HCD030LD2, HCL020LD2, SCU020WEV, SCU030WCV and SCU030WE2; JA 5/8; C and J-voltage
	F280298P	Pulley Bushing	V-speed models; JA 7/8; Q, R and X-voltage
	M412995P	Bushing	40 and 60 pound models; SH 7/8; C and J-voltage
2	F430801	Key	30 pound models
	F430802	Key	All other models
3	F200186100	Motor Support Bushing	
4	901690	Washer	
5	F602844	Motor Support Rod	20 pound models; 30 pound models with all voltages except X-voltage
	F603059	Motor Support Rod	30 pound models with X-voltage; 40 pound models
	F603897	Motor Support Rod	60 pound models
6	F430401	Cotter Pin	
7	F633374	Spring Clip	
8	F310124	Extension Spring	20 and 30 pound models; 40 and 60 pound models with all voltages except X-voltage
	F310148	Tension Spring	40 and 60 pound models; X-voltage
9	F430537	Screw	40 and 60 pound models; X-voltage
10	F430218	Nut	

# Pulley and Belt - Design 2 and 3 Models (Drawing 1 of 2)

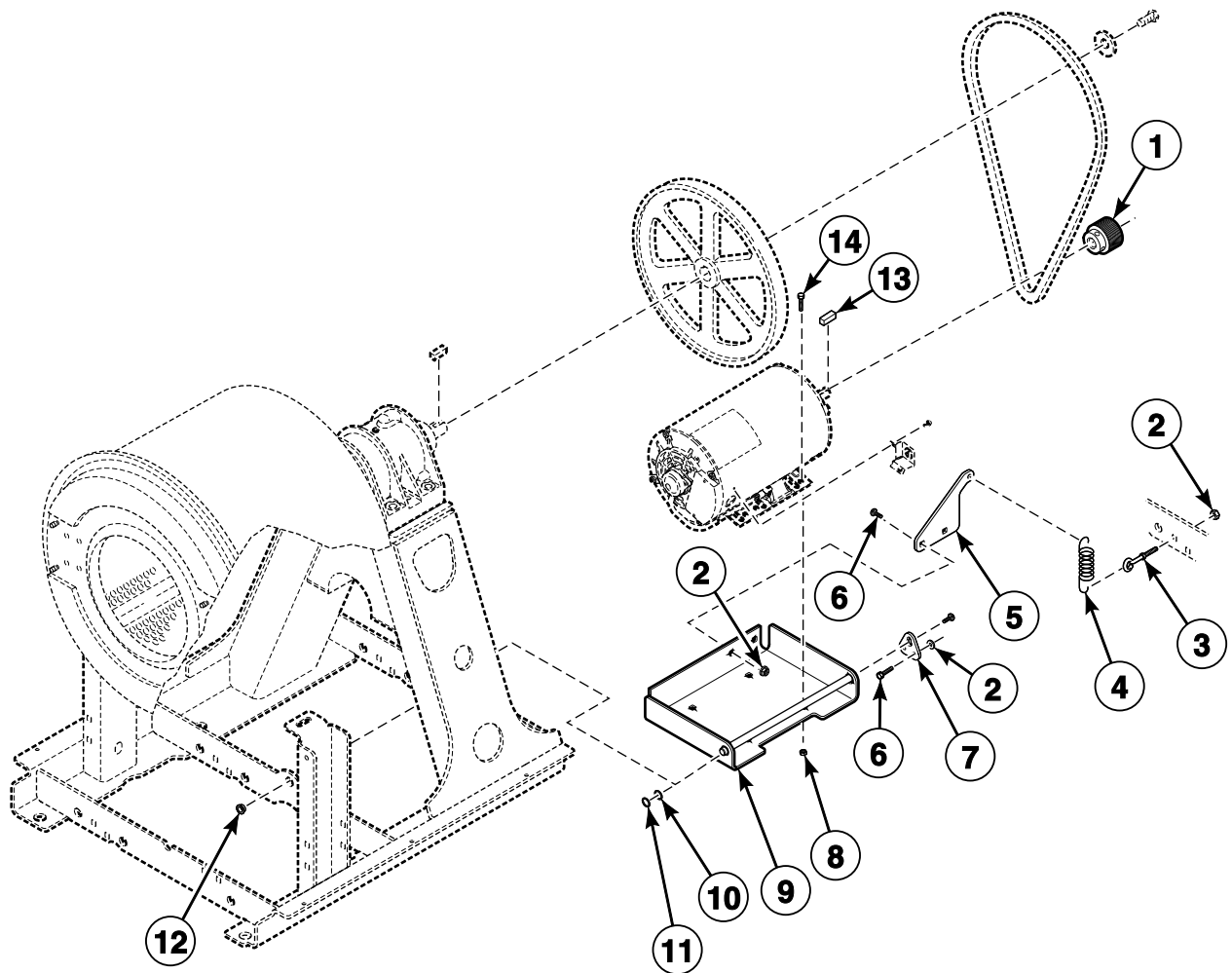


CHM3290P\_F8339401

## Pulley and Belt - Design 2 and 3 Models (Drawing 1 of 2)

REF	PART NO.	DESCRIPTION	COMMENTS
1	F430801	Key	
2	F150270	Basket Pulley	20 pound models
	F150269	Basket Pulley	30 and 40 pound models
	F200299700	Basket Pulley	60 pound models
3	F8382801	Belt	20 pound models; B, Q and X-voltage
	F200201700P	Belt	20 pound models; N and P-voltage
	F8382803	Belt	30 pound models
	F8382804	Belt	40 pound models
	F8382805	Belt	60 pound models
4	F431115	Washer	
5	F430100	Screw	

# Pulley and Belt - Design 2 and 3 Models (Drawing 2 of 2)



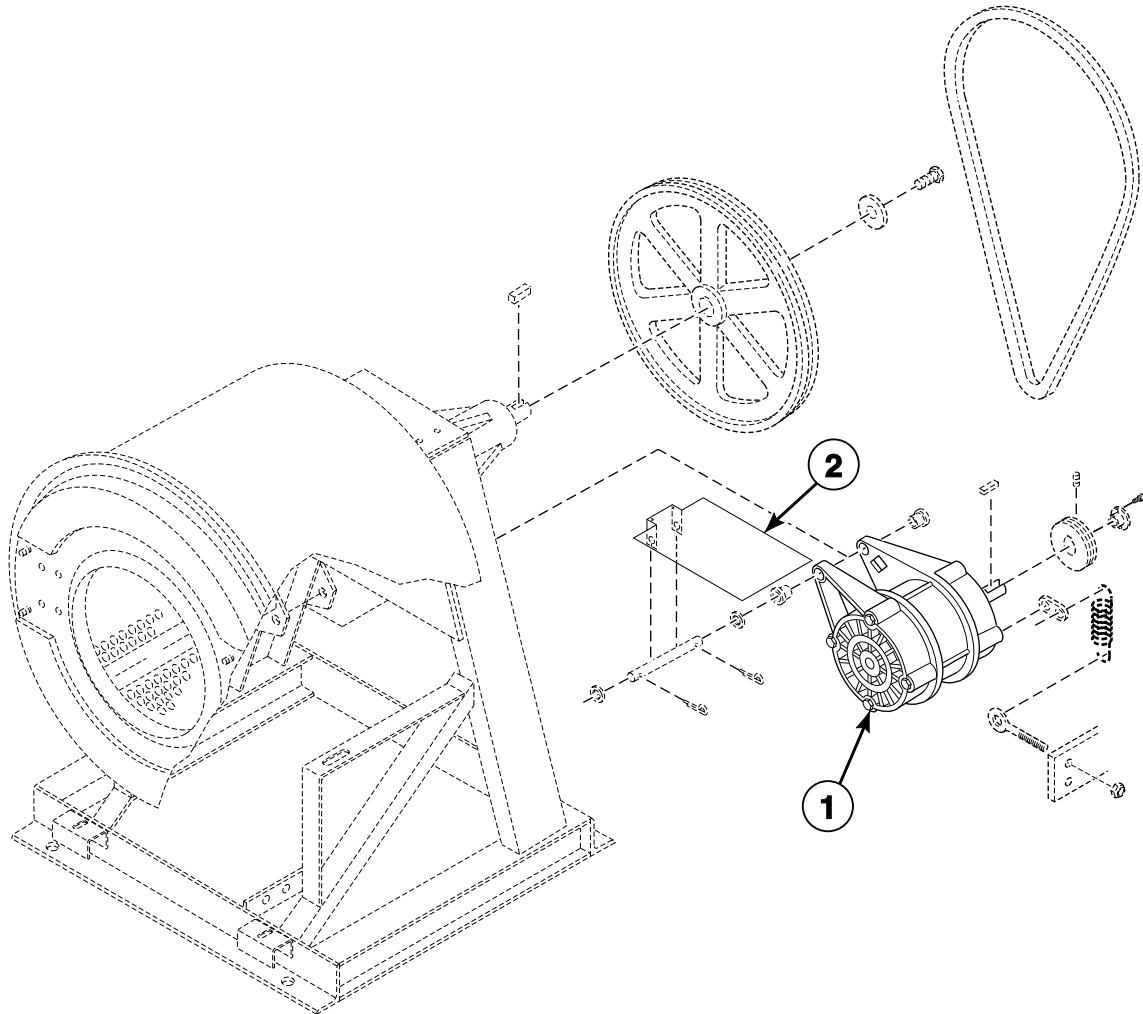
CHM3290PA\_F8339401



## Pulley and Belt - Design 2 and 3 Models (Drawing 2 of 2)

REF	PART NO.	DESCRIPTION	COMMENTS
1	F8362501	Motor Pulley	20 pound models with N and P-voltage; 30, 40 and 60 pound models
2	44087201	Nut	
3	F8351901	Eye Bolt	
4	F310124	Extension Spring	
5	F8363901	Spring Plate	
6	F8402801	Bolt	
7	F8441101	Motor Rod Plate	
8	F8387601	Nut	
9	F8441601	Motor Bracket Weldment	20 and 30 pound models
	F8441602	Motor Bracket Weldment	40 and 60 pound models
10	F8451601	Spacer	
11	F8441901	O-Ring	
12	F8333301	Flanged Bushing	
13	F430801	Key	30 pound models
14	800461	Screw	

# Motor - Design 1 Models



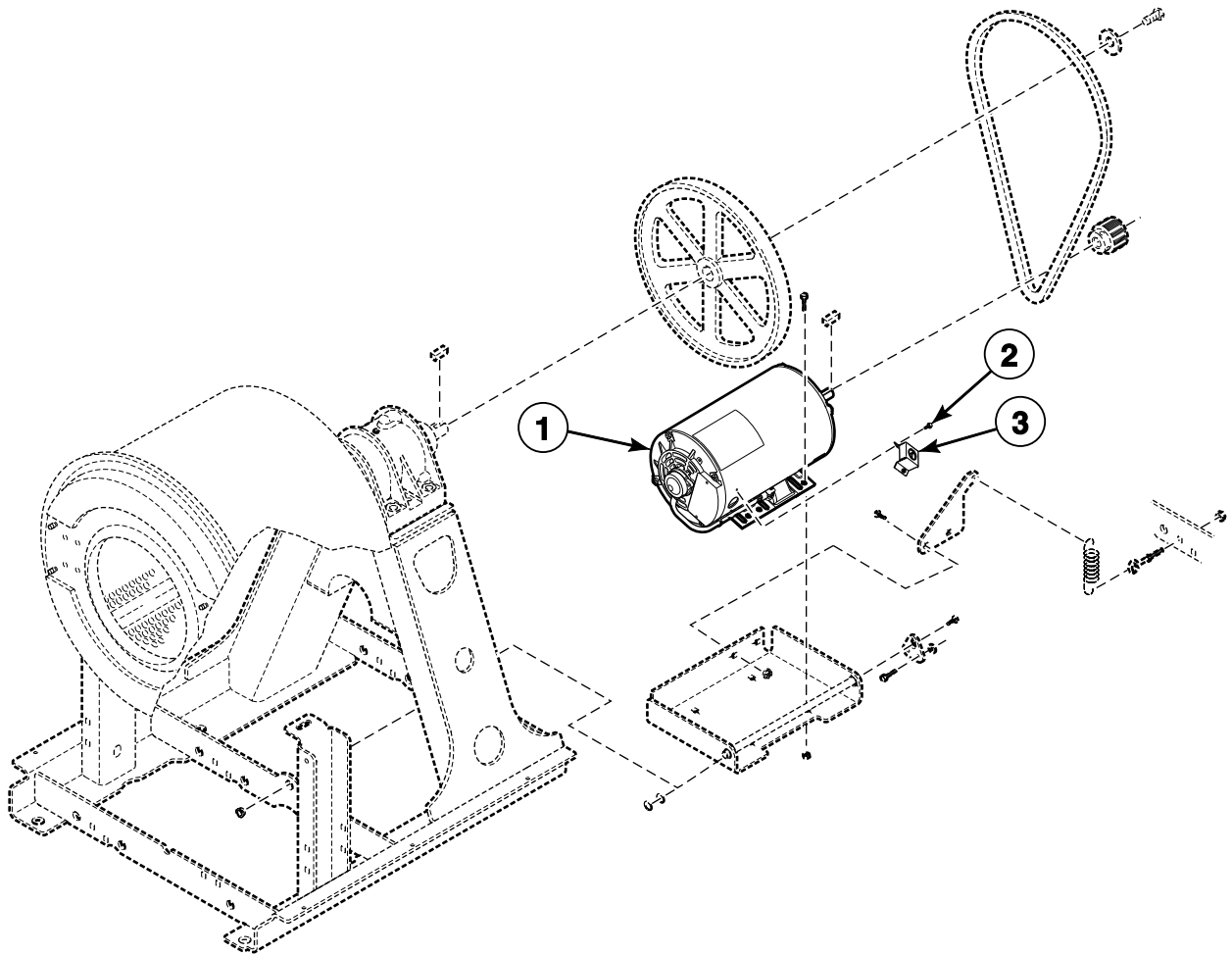
CHM3050PC\_F8339401

## Motor - Design 1 Models

REF	PART NO.	DESCRIPTION	COMMENTS
1	F8329601P	Motor	20 pound 2 speed models; B-voltage; Includes motor support bushing
	F8329301P	Motor	20 pound 2 speed models; Replaces F022039600 and F200396-H Motors on models through 7/25/10; All other models starting 7/26/10; O-voltage; Includes motor support bushing
	F8328901P	Motor Conversion Kit	20 pound F and V-speed models; Replaces F220393 Motor on models through 3/1/10; X-voltage; Includes F8328901 Motor; **
	F022012800P	Motor	20 pound 2 speed models; Use with F220128-H Motor; Y-voltage; Includes F200186100 Motor Support Bushing
	F8329801P	Motor	30 pound 2 speed models; Replaces F220388-H and F022038800 Motor; C-voltage; Includes motor support bushing
	F8329701P	Motor	30 pound 2 speed models; Replaces F220387-H and F022038700 Motor; J, K and O-voltage; Includes motor support bushing
	F8329001P	Motor Conversion Kit	30 pound F and V-speed models; Replaces F220395 Motor on models through 3/2/10; X-voltage; Includes F8329001 Motor; **
	F8329001	Motor	30 pound F and V-speed models; Models that have been converted with F8329001P Motor Conversion Kit or models starting 3/3/10; X-voltage; Includes motor support bushing
	F8329901P	Motor	30 pound 2 speed models; Replaces F220124-H and F022012400 Motor; Y-voltage; Includes motor support bushing
	F8330101P	Motor	40 pound 2 speed models; Replaces F220326-H and F022032600P Motors; C-voltage; Includes motor support bushing
	F8330001P	Motor	40 pound 2 speed models; Replaces F0220321-00 Motor on models through 7/25/10; All other models starting 7/26/10; O-voltage; Includes motor support bushing
	F8330201P	Motor	40 pound 2 speed models; Replaces F0220120-01 Motor on models through 12/31/10; All other models starting 1/1/11; Y-voltage; Includes motor support bushing
	F8329101P	Motor Conversion Kit	40 pound F and V-speed models; Replaces F220394 Motor on models through 6/20/10; X-voltage; Includes F8329101 Motor; **
	F8329101	Motor	40 pound F and V-speed models; Models that have been converted with F8329101P Motor Conversion Kit or models starting 6/21/10; X-voltage; Includes motor support bushing
	F8330301P	Motor	60 pound 2 speed models; Replaces F022032200 Motor on models through 10/31/10; All other models starting 11/1/10; J and O-voltage; Includes motor support bushing
	F8329201P	Motor Conversion Kit	60 pound F and V-speed models; Replaces F220234 Motor on models through 9/15/10; X-voltage; Includes F8329201 Motor; **
	F8329201	Motor	60 pound F and V-speed models; Models that have been converted with F8329201P Motor Conversion Kit or models starting 9/16/10; X-voltage; Includes motor support bushing
	F8330401P	Motor	60 pound 2 speed models; Replaces F220327 Motor on models through 4/27/10; All other models starting 4/28/10; C-voltage; Includes motor support bushing
	2	F200280700	Motor Drip Shield
F200216900		Motor Drip Shield	All other models

**\*\* NOTE: AC drive parameters must be compatible with the motor and motor pulley. Please request the AC drive parameter illustration for parameter verification when ordering a motor.**

# Motor - Design 2 and 3 Models



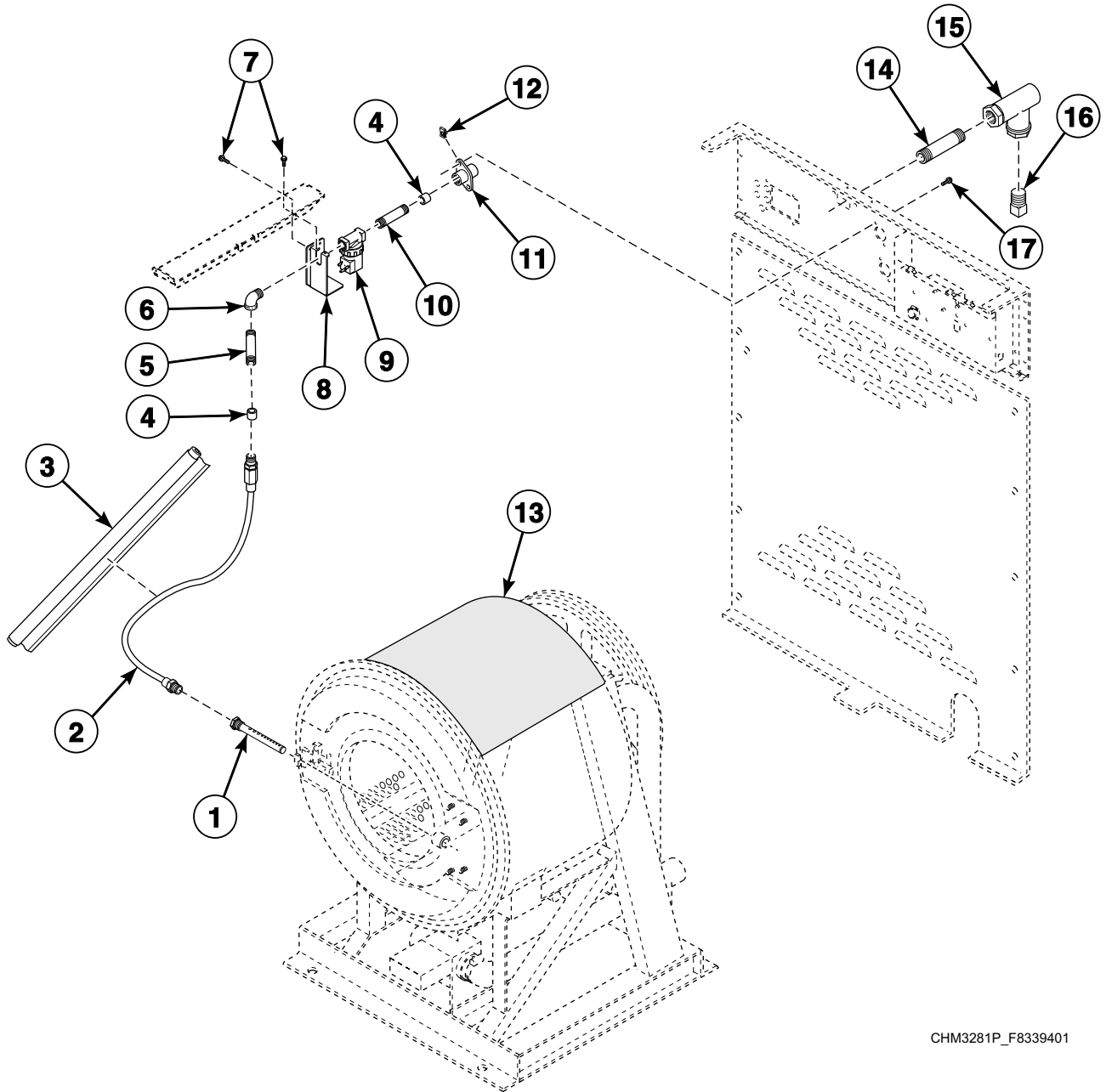
CHM3290PB\_F8339401

## Motor - Design 2 and 3 Models

REF	PART NO.	DESCRIPTION	COMMENTS
	F200216900	Motor Drip Shield	20 pound models
	F8396601	Motor Harness	20, 30 and 40 pound models N and P-voltage; 60 pound models
	F8384901	Motor Harness	30 and 40 pound models; X and Q-voltage
	F8384801	Motor Harness	20 pound models; B, Q and X-voltage
<b>1</b>	801194P	Induction Motor	20 pound models; B, Q and X-voltage; Includes pulley
	F8335001P	Motor	20 pound models N and P-voltage; 30 and 40 pound models
	F8335101P	Motor	60 pound models
<b>2</b>	23222	Screw	
<b>3</b>	70321701	Motor Conduit Mounting Bracket	

**\*\* NOTE: AC drive parameters must be compatible with the motor and motor pulley. Please request the AC drive parameter illustration for parameter verification when ordering a motor.**

# Steam Heat Option

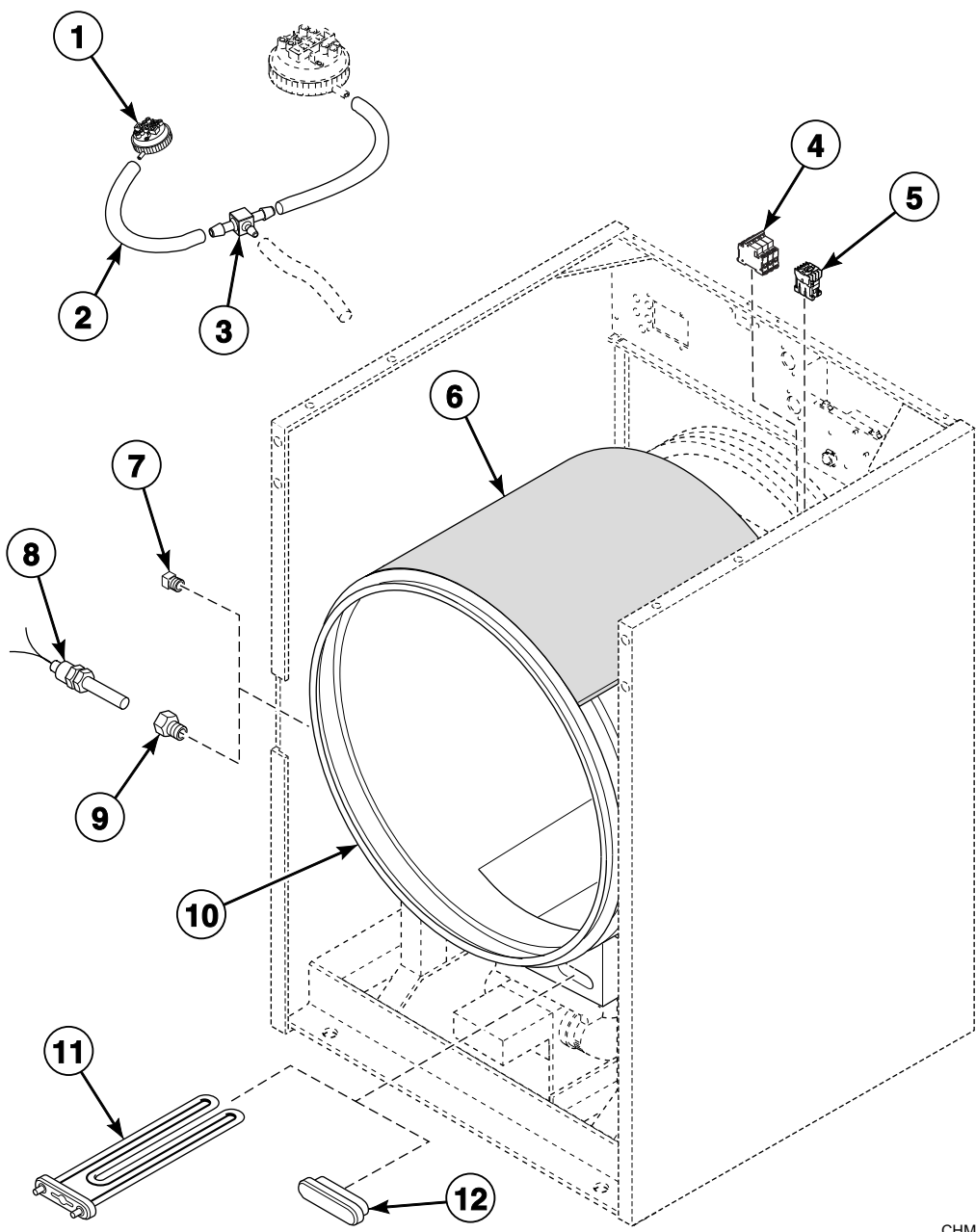


CHM3281P\_F8339401

## Steam Heat Option

REF	PART NO.	DESCRIPTION	COMMENTS
	F953P3	Steam Heat Kit	Includes items 1, 2, 5-10, 14, 16, 17 and harness
	F380984P	Steam Valve Repair Kit	Use with item 9
1	F603131	Steam Injector Tube Assembly	Design 1
	F8368201	Steam Injector Tube Assembly	Design 2 and 3
2	F200197	Steam Hose	60 pound models
3	F8233700	Pipe Insulation	Design 2 and 3
4	F8116301	Coupling	Design 2 and 3; 60 pound models 2 required
5	F8110601	Nipple	
6	H86070034	Street Elbow	
7	430497	Screw	
8	F8212001	Steam Bracket	
9	F380787P	Steam Valve	220 Volt; Design 1
	F8322801P	Valve	Design 2 and 3
	F8382301	DIN Valve Adapter Kit	Design 2 and 3
10	70263801	Pipe Nipple	
11	F8154501	Coupling	Design 1
	F8362701	Coupling	Design 2 and 3
12	70030401	Nut	
13	F410300	Pipe Insulation	Design 1
14	431486	Pipe Nipple	
15	F270307	Steam Filter	
16	F420409	Plug	
17	20253	Screw	

# Electric Heat Option



CHM3319P\_F8339401



## Electric Heat Option

REF	PART NO.	DESCRIPTION	COMMENTS
	F8056001	Jumper Wire	P-voltage models require 5; N-voltage models require 3
1	F8223001P	Water Pressure Switch	Heat safety; Design 1
	F8404401	Water Pressure Switch	Design 2 and 3
2	F8153901	Tubing	
3	F8246601	Tee	
4	70256901P	Circuit Breaker	
5	F330188P	Contactator	
6	F410300	Pipe Insulation	
7	F421507	Plug	Design 1
	F200202600	Plug	Design 2 and 3
8	F370609	Thermistor Sensor	
9	F421936	Reducer Bushing	Design 1
10	F8179602	Shell Weldment	Design 1
	F8360602	Shell Weldment	20 pound models; Design 2 and 3
	F8360702	Shell Weldment	30 pound models; Design 2 and 3
	F8360802	Shell Weldment	40 pound models; Design 2 models
	F8360902	Shell Weldment	60 pound models; Design 2 models
11	F360205P	Element	2.6 kW; 12 used in 20 and 30 pound models; 30 used in 40 and 60 pound models
12	F360202	Heating Element Plug	



# Parts Index

## A

Access Cover	
F8047801 .....	67
Air Trap Hose	
F020014200 .....	13, 15
Auxiliary Control Assembly	
F8189401 .....	13

## B

Basket Assembly	
F8347801P .....	45
F8347901P .....	45
F8391301 .....	51
F8391501 .....	51
F8391701 .....	45, 51
F8391901 .....	45, 51
Basket Pulley	
F150269 .....	71, 77
F150270 .....	71, 77
F200299700 .....	71, 77
Basket Rental Tool Kit	
390P4 .....	45, 51
Basket Tool Kit	
389P4 .....	45, 51
Bearing	
F100108 .....	47, 53
F100123P .....	47, 53
F100134 .....	47, 53
F100135 .....	47, 53
F100136P .....	47, 53
F100137P .....	47, 53
Bearing Housing	
F8246802 .....	53
F8247902 .....	53
F8249902 .....	53
F8250902 .....	53
Bearing Housing Assembly	
F8271601 .....	53
F8271701 .....	53
F8271801 .....	53
F8271901 .....	53
Bearing Sleeve	
F8221701 .....	41
Belt	
F200201700P .....	77
F280304 .....	71
F280321 .....	71
F280337 .....	71
F280341 .....	71
F280342 .....	71
F280343 .....	71
F280366P .....	71
F280368P .....	71
F280369P .....	71
F280370 .....	71
F280373 .....	71
F8382801 .....	77
F8382803 .....	77
F8382804 .....	77

F8382805 .....	77
Blind Rivet	
F8245101 .....	41
Bolt	
F200182700 .....	61, 63
F430522 .....	59
F8230501 .....	37
F8270701 .....	43
F8402801 .....	59, 79
F8508101 .....	41
Bracket	
F8365401 .....	59
F8365402 .....	59
F8434601 .....	59
F8434701 .....	59
Bracket Clamp Ring	
F8302401 .....	51
Bushing	
H87529111P .....	75
M412995P .....	75

## C

Cap	
F8197701 .....	67
Capacitor	
F370218P .....	13
F370220 .....	13
F370221 .....	13
F8411701 .....	13
F8411801 .....	13
F8411901 .....	13
Capacitor Tray Assembly	
F8199601 .....	13
F8199901 .....	13
Card Plate Assembly	
F8201501 .....	29
Card Reader Overlay	
70334201 .....	29
Circuit Breaker	
70256901P .....	19, 87
Clamp Ring Assembly	
F8388001 .....	51
F8388002 .....	51
F8388004 .....	51
Coin Box	
F160672 .....	31
Coin Chute	
F8170801 .....	13, 15, 17
Coin Drawer Assembly	
F8182001 .....	31
Coin Drop	
70256402P .....	25
70441601P .....	23
Coin Drop Assembly	
210195 .....	25
210196 .....	25
38462P .....	23
38463 .....	23
38464P .....	23
38472 .....	25

N/A items do not appear in index.

38521 .....	25
39157 .....	25
70281102 .....	25
Coin Drop Overlay	
39564 .....	35
Coin Identification Paper	
38725 .....	23, 25, 27
Coin Meter	
F0160737-00 .....	25
Coin Meter Assembly	
F200010000P .....	23
F200010001 .....	25
F200010002 .....	25
F200010003 .....	25
F200010004 .....	25
F200010005 .....	25
F200010006 .....	23
F200010007 .....	23
F200010008 .....	25
F200010009 .....	23
F200010010 .....	25
F200010011 .....	23
F200010012 .....	23
F200021600P .....	27
F200021601 .....	27
F200021602 .....	27
F200021603 .....	27
F200021604 .....	27
F200021605 .....	27
F8238601 .....	27
Coin Vault Assembly	
F8182501 .....	13, 15, 17
F8182601 .....	13, 15, 17
Communication Board	
210095P .....	21
Communication Connector	
210099 .....	21
Communication Harness	
70338301P .....	21
Concrete Epoxy Kit	
F8498101 .....	49, 55
Concrete Kit	
1111P .....	49, 55
Contactors	
F330177P .....	13, 19
F330188P .....	87
Contactors Tray Assembly	
F8343401 .....	13
Control Assembly Kit	
F980P3 .....	13, 15, 17
Control Panel Assembly	
F8038502 .....	33
F8038504 .....	33
F8038602 .....	33
F8038604 .....	33
F8038702 .....	33
F8038704 .....	33
F8038802 .....	33
F8038804 .....	33
Control Panel Overlay	
F8226902 .....	35
Control Tray Assembly	
F8205902 .....	13, 15
F8205903 .....	13, 15
F8359702 .....	17
F8359704 .....	17

F8359707 .....	17
Control Tray Harness	
F8261501P .....	13, 15, 17
Cotter Pin	
F430401 .....	75
Coupling	
F8116301 .....	85
F8154501 .....	85
F8362701 .....	85

---

## D

DIN Rail	
F8200101 .....	13
F8385301 .....	19
DIN Valve Adapter Kit	
F8382301 .....	85
Dispenser Assembly	
F8047401 .....	67
F8047402 .....	67
Dispenser Gasket	
F8308301 .....	67
Dispenser Lid	
F8048101 .....	37
Dispenser Overflow Hose	
F8043401 .....	67
F8043403 .....	67
F8043404 .....	67
Door	
F0602431-02 .....	41
F0602837-02 .....	41
F602842-2 .....	41
F8507501 .....	41
F8507601 .....	41
F8507701 .....	41
Door Assembly	
F8187202 .....	41
F8187203 .....	41
F8187204 .....	41
F8187302 .....	41
F8187304 .....	41
F8187402 .....	41
F8187404 .....	41
Door Bezel	
F0170426-00 .....	33
F0170426-10 .....	33
F170416-1 .....	33
F170416-2 .....	33
F170417-1 .....	33
F170417-3 .....	33
Door Gasket	
F200000202 .....	41
F8111502 .....	41
F8111602 .....	41
Door Glass	
F290208P .....	41
F8341701 .....	41
F8341801P .....	41
F8341901 .....	41
Door Glass Kit	
F290205P .....	41
F290207P .....	41
Door Handle	
F8199401P .....	41

N/A items do not appear in index.

Door Handle Spacer F8223701 .....	41
Door Hinge F190216P .....	41
Door Hinge Shim F200131000 .....	41
Door Latch Arm Assembly F8221401 .....	41
Door Lock Assembly F8197101 .....	43
F8340501 .....	43
Door Lock Catch F8223601 .....	43
F8344501 .....	43
Door Lock Cover F8245001 .....	43
Door Lock Microswitch F200203200 .....	43
Door Lock Plate Assembly F8223201 .....	43
F8223202 .....	43
Door Lock Plate Shim F8059701 .....	43
F8344401 .....	43
Door Lock Solenoid Replacement Kit F977P3 .....	43
Door Lock Splash Shield F320200 .....	43
Door Lock Switch Lever F8223401 .....	43
Door Mount F150271 .....	41
Dowel Pin F8388101 .....	53
F8388201 .....	53
Drain Connect Tee F150318 .....	57, 59
Drain Hose F200165100 .....	59
F8231901 .....	57
F8231902 .....	57
F8232901 .....	57, 59
F8233001 .....	57
F8233101 .....	57
F8233102 .....	57
F8233802 .....	59
F8261302 .....	59
F8261303 .....	59
Drain Tee F150398 .....	57, 59
Drain Valve Cover F200133600 .....	61, 63
Drain Valve Kit F200166400 .....	63
F200166402 .....	63
Drain Valve Motor F380933P .....	61, 63
Drain Valve Motor and Gear Box Assembly G159764P .....	61, 63
Drive Assembly F8204701P .....	19
F8303601P .....	19
F8327301P .....	19
Drive Mounting Bracket F8322401 .....	19

Drive Tray Assembly F8359801 .....	19
F8359802 .....	19
F8359803 .....	19

## E

Earth Terminal Sticker M412096 .....	11
Electric Shock Danger Label F8115501 .....	11
Electronic Coin Drop Assembly 70294103P .....	27
70294104 .....	27
70294105P .....	27
70294106 .....	27
70294107 .....	27
70294109 .....	27
70294111 .....	27
70294119 .....	27
Electronic Coin Drop Kit CK099 .....	27
CK100 .....	27
CK101 .....	27
CK103 .....	27
CK106 .....	27
CK109 .....	27
CK110 .....	27
CK113 .....	27
CK115 .....	27
CK119 .....	27
CK500 .....	27
Element F360205P .....	87
EMI Filter F8053901P .....	15, 19
F8053902 .....	15, 19
End Stop F8449801 .....	19
Ethernet Gateway Kit NK320 .....	21
Excluder Seal F8336801 .....	45, 51
F8336901 .....	45, 51
F8337001 .....	45, 51
F8337101 .....	45, 51
Expansion Clip 70030501 .....	13, 15, 17, 19
Extension Spring F310124 .....	75, 79
External Door Lock Harness F8340001 .....	43
External Supply Connection Decal F8150201 .....	11
External Supply Harness F8191201P .....	13, 17
External Supply Kit F937P3 .....	13, 17
Eye Bolt F8351901 .....	79

N/A items do not appear in index.

---

**F**

Fill Hose	
223/00049/10P.....	65
Flanged Bushing	
F8333301.....	79
Frame Template	
F8433301.....	55
F8433401.....	55
F8433501.....	55
F8433601.....	55
Frame Weldment	
F8195901.....	49
F8196001.....	49
F8196101.....	49
F8199101.....	49
F8247001.....	55
F8248001.....	55
F8249001.....	55
F8250001.....	55
Front Cabinet Brace	
F8173801.....	33
F8173901.....	33
F8174001.....	33
Front End Control Kit	
F102P3.....	17
F103P3.....	17
F984P3.....	15
F985P3.....	13, 15
Front Panel	
F8171301.....	33
F8171302P.....	33
F8173001.....	33
F8173002P.....	33
F8173003.....	33
F8173101P.....	33
F8173102P.....	33
F8173201P.....	33
F8173202P.....	33
F8492301.....	33
F8492302.....	33
Fuse	
802493.....	13

---

**G**

Gravity Drain Valve	
803292.....	61
Grommet	
F8433001.....	17
Ground Decal	
F230739.....	11
Ground Lug Connector	
M411283.....	67
Gusset Plate	
F8186702.....	33

---

**H**

Heating Element Plug	
F360202.....	87

Hole Plug	
F8223801.....	37
Hose	
F606816-1.....	67
F8232001.....	67
F8232002.....	67
F8232004.....	67
F8405301.....	17
Hose Barb Connector	
F8431001.....	13, 15, 17
Hose Clamp	
F200201.....	57, 59
F200213.....	57, 59, 67, 69
F200215.....	57, 59, 63
F200222.....	13, 15, 67
20211.....	67
36801.....	67
Hot Surface Warning Plate	
F8211901.....	11

---

**I**

Induction Motor	
801194P.....	83
Interlock Contactor	
F330186P.....	13

---

**J**

Jumper Configuration Assembly	
M413507.....	13, 15, 17
Jumper Harness Assembly	
M413506.....	13, 15, 17
Jumper Wire	
F8056001.....	87

---

**K**

Key	
F160420.....	31
F430801.....	71, 75, 77, 79
F430802.....	75
70155603.....	37

---

**L**

Left Side Panel	
F8042902P.....	39
F8043102P.....	39
F8043202P.....	39
F8043302P.....	39
F8399202.....	39
F8399302.....	39
F8399402.....	39
F8399502P.....	39
F8492402.....	39
F8492404.....	39
Lid Clamp	
F8091701.....	37
Lower Cabinet Brace	
F8174101.....	33

N/A items do not appear in index.

Lower Drive Mounting Bracket	
F8310101 .....	19

## M

Machine Size Configuration Harness	
F8028101P .....	13, 15, 17
F8028103P .....	13, 15, 17
F8028104P .....	13, 15, 17
F8028105P .....	13, 15, 17
Magnet	
F8390801 .....	41
Manifold	
F8333201 .....	67
Motor	
F022012800P .....	81
F8329001 .....	81
F8329101 .....	81
F8329201 .....	81
F8329301P .....	81
F8329601P .....	81
F8329701P .....	81
F8329801P .....	81
F8329901P .....	81
F8330001P .....	81
F8330101P .....	81
F8330201P .....	81
F8330301P .....	81
F8330401P .....	81
F8335001P .....	83
F8335101P .....	83
Motor Bracket Weldment	
F8441601 .....	79
F8441602 .....	79
Motor Conduit Mounting Bracket	
70321701 .....	83
Motor Conversion Kit	
F8328901P .....	81
F8329001P .....	81
F8329101P .....	81
F8329201P .....	81
Motor Drip Shield	
F200216900 .....	81, 83
F200280700 .....	81
Motor Harness	
F8384801 .....	83
F8384901 .....	83
F8396601 .....	83
Motor Pulley	
F280281 .....	73
F8362501 .....	79
Motor Rod Plate	
F8441101 .....	79
Motor Support Bushing	
F200186100 .....	75
Motor Support Rod	
F602844 .....	75
F603059 .....	75
F603897 .....	75
Motor Switch	
F340002 .....	13
Mount On Concrete Warning Label	
F8246401 .....	11
Mounting Plate	
70208801 .....	29

## N

Network Board Assembly	
201341 .....	13
Network Controller Kit	
NK220 .....	21
Network Harness	
44141801P .....	21
Network Retrofit Kit	
NK204 .....	21
Network Wire Harness Assembly	
44088501P .....	21
Nipple	
F8110601 .....	85
Nut	
F0431807-00 .....	67
F430215 .....	23, 25, 41, 45, 51, 57
F430218 .....	49, 75
F430225 .....	43
F430232 .....	13, 15, 17, 41, 43, 67
F430239 .....	47
F430240 .....	47
F430264 .....	43
F431022 .....	41
F8387601 .....	53, 79
F8387701 .....	53
44087201 .....	59, 79
44087301 .....	55
685846 .....	27
70030401 .....	59, 85

## O

Opto Coupler	
200674P .....	23, 25
O-Ring	
F8441901 .....	79
Outer Shell Band	
F603108 .....	51
F603207 .....	51
F631838 .....	51
Output/Logic Harness	
F8028701 .....	13, 15, 17
Overflow Hose	
F0200238-00 .....	57
F150308 .....	57
F150417 .....	57
F8337701 .....	57
F8367201 .....	59
F8367901 .....	59
F8368001 .....	59
Overflow Plug	
F150352 .....	63
Overlay	
F8227002 .....	35
F8227102 .....	35
F8227202 .....	35
F8296601 .....	35
F8296602 .....	35
F8296701 .....	35
F8296702 .....	35
F8296801 .....	35
F8296802 .....	35
F8296901 .....	35

N/A items do not appear in index.

F8296902	35
F8445801	35
F8445802	35
F8445803	35
F8445901	35
F8445902	35
F8445903	35
F8446001	35
F8446002	35
F8446003	35
F8446101	35
F8446102	35
F8446103	35
70295101	27
70295301	27
Overload Contactor	
F8176101P	13

## P

Panel Lock	
44089303P	37
PC Board Standoff	
210098	21
Pin	
F8302701	51
Pipe Insulation	
F410300	85, 87
F8233700	85
Pipe Nipple	
431486	85
70263801	85
Plug	
F200202600	87
F420409	85
F421507	87
F8223901	37
M400985	37
Pop Rivet	
70058501	13, 15, 17, 23, 25
PowerFlex 40 Drive	
F8169401	15
F8169402	15
F8169403	15
F8169404	15
F8169405	15
F8169406	15
F8169407	15
F8169408	15
F8169434	15
F8169435	15
F8169436	15
F8169437	15
F8169438	15
F8169439	15
F8169440	15
F8169441	15
Pressfit Upgrade Kit	
F935P3	45
F936P3	45
F938P3	45
F939P3	45
Pressure Bulb	
30907	17

P-Trap Hose	
F8042201	69
F8042202	69
F8042301	69
Pulley	
F280105P	73
F280173	71, 73
F280197	71, 73
F280284	73
F280422P	73
F280427P	73
Pulley Bushing	
F280298P	75
Pulse Expander Assembly	
F8034701P	27
Pushbutton Switch	
70413301	37, 39

## R

Rear Drain Hose	
F8231904	59
F8231905	59
F8365601	59
F8365602	59
Rear Panel	
F8176201P	39
F8176301	39
F8177501P	39
F8177701P	39
F8352801	39
F8362401	39
F8365201	39
F8367101	39
F8492501	39
Reducer Bushing	
F421936	87
Reed Switch Assembly	
F8066802	41
Retaining Ring	
F8337801	47, 53
F8337901	47, 53
F8344901	47, 53
F8345001	47, 53
Right Side Panel	
F8042901P	39
F8043101P	39
F8043201P	39
F8043301P	39
F8399201	39
F8399301	39
F8399401	39
F8399501	39
F8492401	39
F8492403	39
Rod	
F602813-2	41
F602813-3	41

## S

Screw	
F0430268-00	67
F430100	71, 77

N/A items do not appear in index.



F430107	57	F8360602	87
F430174	33	F8360701	55
F430518	45	F8360702	87
F430536	41	F8360801	55
F430537	75	F8360802	87
F430903	13	F8360901	55
F430909	67	F8360902	87
F430916	41	Shim	
F430942	49	F8484401	43
F430949	49	Siphon Cover	
F430956	43	F8047901	67
F430976	41	Snap Bushing	
F8117601	33	M400770	21
F8206901	13, 15, 17, 19, 37, 39, 67	44071501	13, 15, 17
F8230301	67	Solenoid	
F8230601	37	F8340101	43
F8368701	53	Spacer	
F8368801	53	F431901	43
F8442701	49, 55	F8451601	79
H88213996	55	Spring	
202175	59	F8504601	61
20253	85	Spring Clip	
23222	83	F633374	75
430497	15, 37, 85	Spring Pin	
503688	19	F431222	41
800461	79	Spring Plate	
800462	51	F8363901	79
800548	69	Steam Bracket	
801019	33	F8212001	85
Seal Scupper Pad		Steam Filter	
F8350301	53	F270307	65, 85
F8350302	53	Steam Heat Kit	
F8350303	53	F953P3	85
Shaft Seal Sleeve Kit		Steam Hose	
F8343901P	45, 51	F200197	85
F8343904P	45, 51	Steam Injector Tube Assembly	
F8343906P	45, 51	F603131	85
F8343909P	45, 51	F8368201	85
Sheave		Steam Valve	
F0280385-00	73	F380787P	85
H87520334	73	Steam Valve Repair Kit	
Sheave Kit		F380984P	85
F280287P	73	Street Elbow	
Sheave Pulley		H86070034	85
F280170	71, 73	Stud	
F280172	71, 73	70334702	59
Shell Band Assembly		Supply Overflow Hose	
F602757	45	F8043405	67
F631977	45	Support Bracket	
Shell Band Gasket		F8195803	15
F200001600P	45, 51	Switch Clamp	
Shell Band Kit		F0340722-00	13
F741700	51		
F741701	45, 51	<b>T</b>	
F741702	45	Tee	
Shell Front Assembly		F8246601	13, 15, 17, 87
F8229401	45, 51	Tension Spring	
F8229501	45, 51	F310148	75
F8229601	45, 51	Terminal Block	
F8229701	45, 51	430642	67
Shell Weldment		Terminal Tray Cover	
F8179201	49	F8177001	67
F8179301	49		
F8179401	49		
F8179501	49		
F8179602	87		
F8360601	55		

N/A items do not appear in index.

Thermistor Sensor	
F370609	87
Top Cabinet Brace	
F8043501	37
F8043701	37
F8043801	37
F8043901	37
Top Cover	
F8017401	37
F8040201	37
F8040301	37
F8040401P	37
Top Cover Hinge	
F8258601	37
Top Cover Latch	
F8201001	33
Torsion/Door Lock Spring	
F8070301	43
Transformer	
F360157P	13, 15
F8401301	19
201616	13, 17
803527P	13, 15, 17
Tray Support Bracket	
F8375201	17
Triple Lip Seal	
F8203801	47, 53
F8203802	47, 53
F8203803	47, 53
F8203806	47, 53
Trunnion Kit	
F747001	47
F747002	47
F747003	47
F747005	47
Tubing	
F8153901	13, 15, 17, 87

## U

USB Gateway Kit	
NK330	21
USB IR Device Assembly	
F8167901	13, 15, 17
Use Copper Conductors Only Caution Label	
F8242201	11

## V

Vacuum Breaker Assembly	
F8048601	69
Vacuum Breaker Cover	
F8439301	69
Vacuum Breaker Hose	
F0200244-01	67
F0200244-02	67
Vacuum Supply Hose	
F8042801	67
F8042803	67
F8042804	67
F8042805	67
Valve	
F8322801P	85

N/A items do not appear in index.

Valve Panel	
F8017501	67
F8039601	67
F8039801	67
F8039901	67
F8398701	67
F8398801	67
F8398901	67
F8399001	67
Valve, 3-Way	
F8286401P	69
F8286402P	69
Vault/FBS Bypass Harness	
F8191401P	29
Vault/FBS Jumper Harness	
F8191402	29

## W

Warning Label	
F8207901	11
F8233501	11
44127701	11
Washer	
F430303	49
F430317	45, 57
F430339	53
F431115	71, 77
F431128	47, 49
F431131	47, 49
F431133	41
F431902	43
F431916	41
F431929	41
F8366601	53
F8402701	55
M400081	49, 51, 55
M405535	59
803615	65, 69
901690	75
Water Hose	
F200116	65
F200165	65
Water Pressure Switch	
F8223001P	13, 15, 87
F8404401	17, 87
Wireless Network Kit	
NK301	21

## Y

Y Connector	
F422816	67