

Rotary Diverter Valves

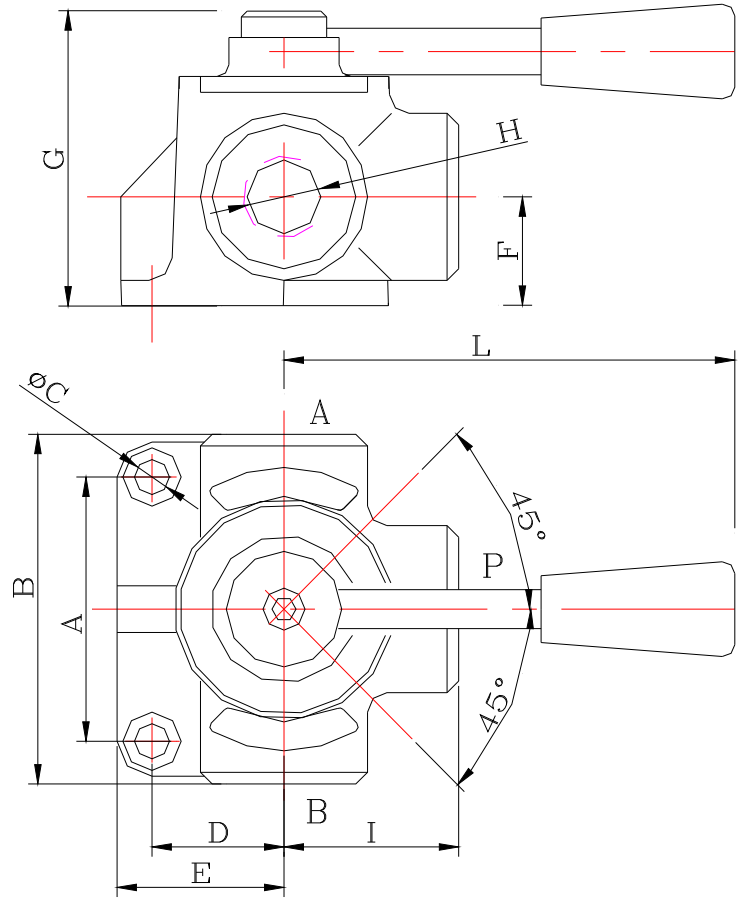
THE DIRECTIONAL CONTROL VALVE of the rotary spool type consists basically of a rotor which is rotated with respect to the valve body. When the rotor is placed in selected positions inlet and outlet ports are connected in various combinations permitting the start, stop or directional change of fluid under pressure. The functions specific to a valve depends primarily on rotor type selected.

SPECIFICATIONS

Ordering code		357	358	359
max. Pressure	bar	300	250	220
max. Flow	i/min	60	90	120

Table 1

	Code 30	Code 31
3 port closed center		
3 port open center		



ORDERING CODES

Typical Code 357-30-38

Basic valve

Flow Pattern (Table 1)

Porting 3/8 BSP (Table 2)

Dimensions and weight

(Table 2)

Ord.code	A	B	C	D	E	F	G	H			I	L	Weight
								BSP	NPT	SAE			
357	24	73	8.5	31	42	21	65	3/8	3/8	3/4-16	36	155	0.90
358	30	85	11	36	53	24	70	1/2	1/2	7/8-14	43	150	1.40
359	32	91	11	41	54	28	80	3/4	3/4	1 1/16-12	47	150	1.86