

# ECLIPSE PROJECT

CONCEALED HINGES  
FOR INTERNAL DOORS

MADE IN ITALY



**AGB**

Open, Close, Live



DESIGN



CONCEALED HINGES

# ECLIPSE

INVISIBLE FROM OUTSIDE,  
IMPROVES THE DOOR DESIGN

AGB introduces the ECLIPSE project: the range of concealed hinges for internal doors combines design, technological functionalities and installation simplicity.

This quality has been possible thanks to the knowledge grown up by AGB in 70 years of experience.

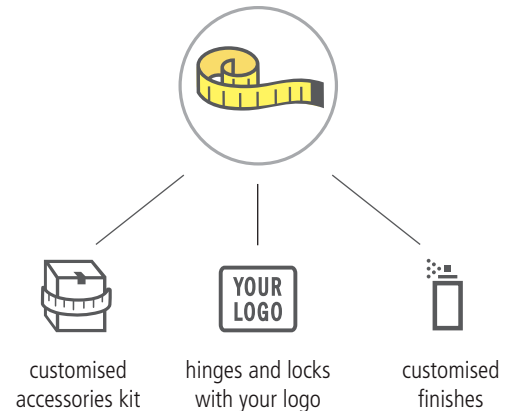
MADE IN ITALY

# AGB: A PARTNER WITH AN INTEGRATED VISION OF THE DOOR SYSTEM

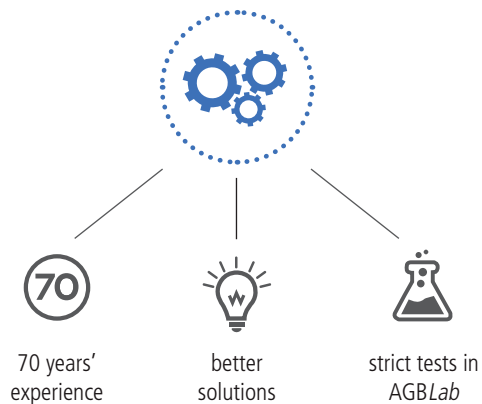
## A COMPLETE SUPPLIER



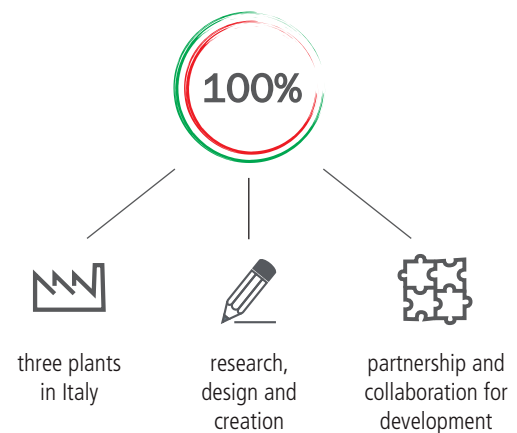
## CUSTOMISATION



## THE KNOW-HOW OF A SPECIALIST



## MADE IN ITALY

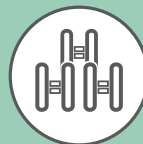


# ADVANTAGES OF THE ECLIPSE RANGE FOR ALL THE INTERNAL DOORS



## ADJUSTMENTS

The adjustments of the Eclipse range have been created to ensure a long-lasting stability and simplicity of use (just one key for all adjustments), as the cyclic tests demonstrate, according to the regulation EN 1935, and the EAD regulations 020001-01-0405.



## RANGE

Few codes to be managed, many applications for doors in wood and aluminium, fire resistant, reversible and flush doors to the wall. A complete range with specific jigs for every model.



## FINISHES

The Eclipse range offers up to 10 finishes. It is possible to customise the hinges finish without changing the high level of corrosion resistance. All finishes have been tested in salt spray according to the regulation EN 9227.



## SIMPLICITY OF MANAGEMENT AND INSTALLATION

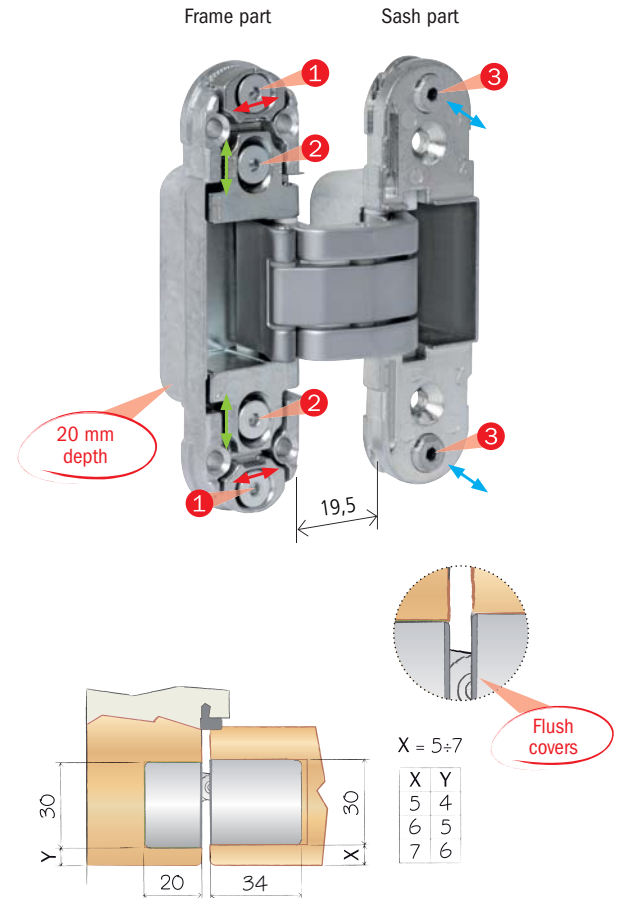
The whole Eclipse range is made up of non-handed hinges. Moreover, sash and frame parts can be installed separately during production and joined on-site. The management of orders, warehouse and installation become more simple and fast.

# ECLIPSE 2.0

Hinge for flush doors



for wooden  
doors

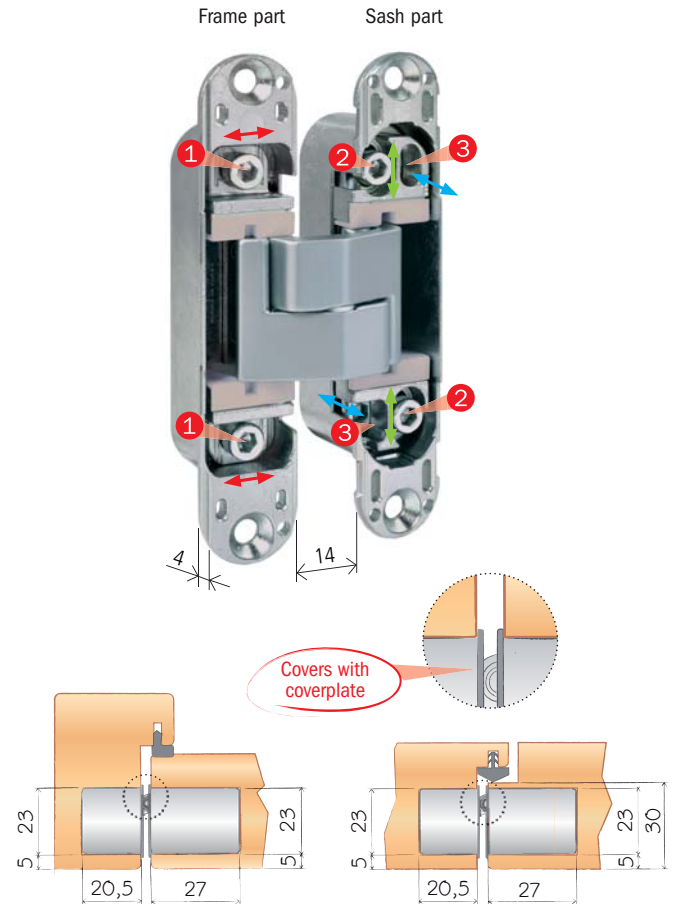


- The covers hide the screws and preserve the door design even when the sash is open.
- Flush covers in plastic material.

- Three adjustments completely independent using a unique 3 mm Allen key:
  - pressure adjustment  $\pm 1$  mm ①;
  - vertical adjustment  $\pm 2$  mm ②;
  - horizontal adjustment  $\pm 1,5$  mm ③.

# ECLIPSE 3.0

Hinge for flush doors with or without rebate



- Ideal even for aluminium frames, thanks to the 4 mm thickness of the hinge fastening.
- Completely invisible thanks to reduced dimensions.
- Covers in plastic material with coverplate.

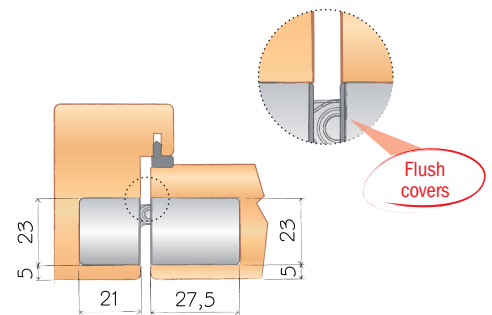
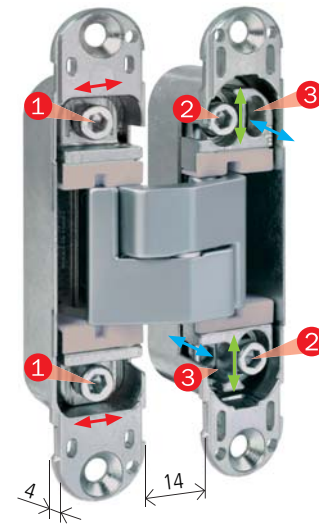
- Three adjustments completely independent using a unique 3 mm Allen key:
  - pressure adjustment  $\pm 1$  mm ①;
  - vertical adjustment  $\pm 2$  mm ②;
  - horizontal adjustment  $\pm 1,5$  mm ③.

# ECLIPSE 3.2

Hinge with metal covers  
for flush doors with or without rebate



Frame part      Sash part



Flush covers

- Ideal even for aluminium frames, thanks to the 4 mm thickness of the hinge fastening.
- Completely invisible thanks to reduced dimensions.
- Flush metal and plastic covers.

- Three adjustments completely independent using a unique 3 mm Allen key:
  - pressure adjustment  $\pm 1$  mm ①;
  - vertical adjustment  $\pm 2$  mm ②;
  - horizontal adjustment  $\pm 1,5$  mm ③.



# ECLIPSE 3.3

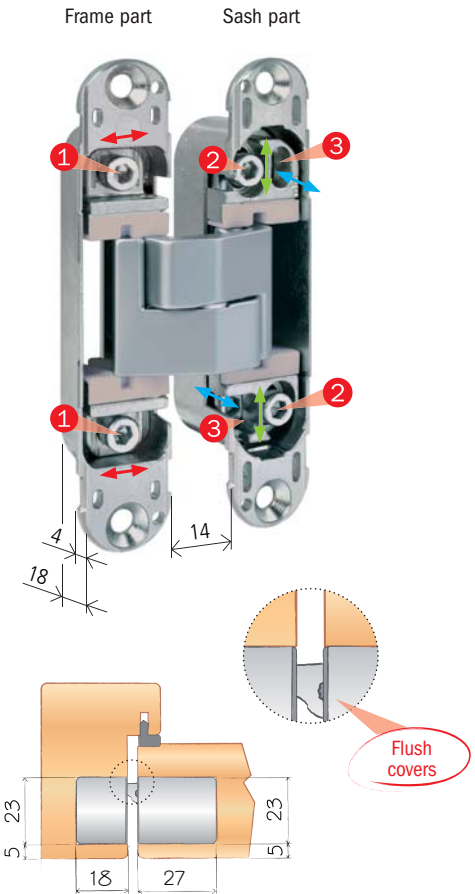
Hinge with metal covers for flush doors with or without rebate and reduced frame



for wooden  
doors



for aluminium  
doors



- Reduced depth on frame side for applications on minimal wooden and aluminium profiles.
- Completely invisible thanks to reduced dimensions.
- Flush metal covers.

- Three adjustments completely independent using a unique 3 mm Allen key:
  - pressure adjustment  $\pm 1$  mm ①;
  - vertical adjustment  $\pm 2$  mm ②;
  - horizontal adjustment  $\pm 1,5$  mm ③.

# ECLIPSE 3.1

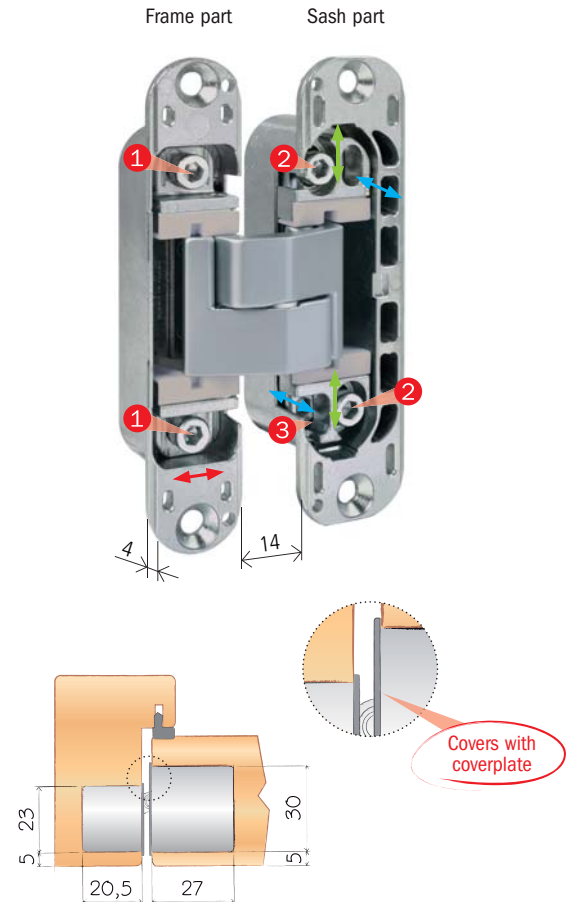
Hinge for flush doors with 38-40 mm thicknesses and covers with coverplate



for wooden doors



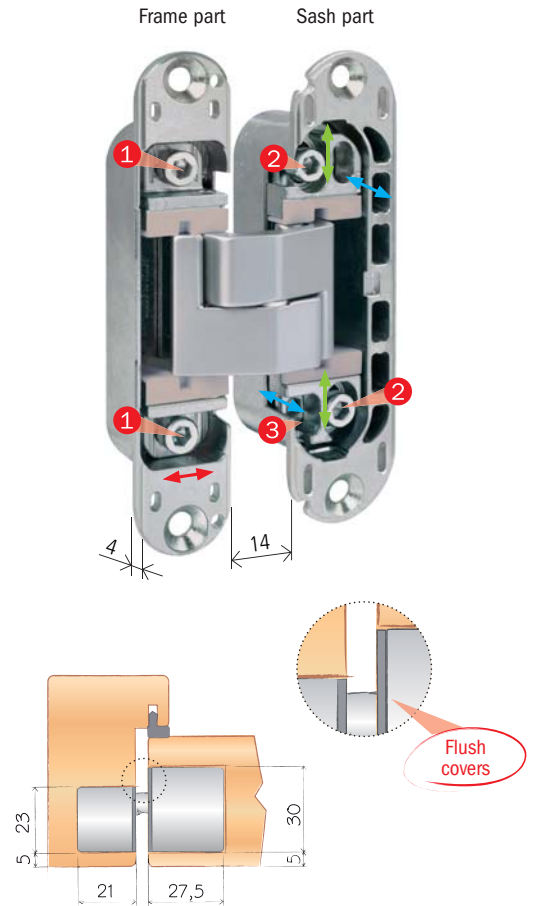
for aluminium doors



- Covers in plastic material with coverplate.
- It allows to keep the handle height unchanged, even turning the sash vertically.
- With the same milling of the frame, it allows to realise flush doors with and without rebate, in wood or aluminium frame.
- Three adjustments completely independent using a unique 3 mm Allen key:
  - pressure adjustment  $\pm 1$  mm ①;
  - vertical adjustment  $\pm 2$  mm ②;
  - horizontal adjustment  $\pm 1,5$  mm ③.

# ECLIPSE 3.4

Hinge for flush doors with 38-40 mm thicknesses and flush covers



- Flush covers in plastic material.
- It allows to keep the handle height unchanged, even turning the sash vertically.
- With the same milling of the frame, it allows to realise flush doors with and without rebate, in wood or aluminium frame.

- Three adjustments completely independent using a unique 3 mm Allen key:
  - pressure adjustment  $\pm 1$  mm ①;
  - vertical adjustment  $\pm 2$  mm ②;
  - horizontal adjustment  $\pm 1,5$  mm ③.

# ACCESSORIES FOR INTERNAL DOORS



## BEAK

The beak avoids sash deformations caused by humidity or high heights.

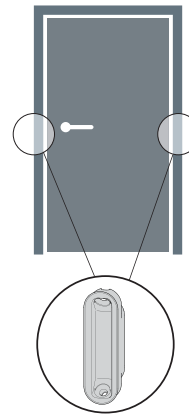
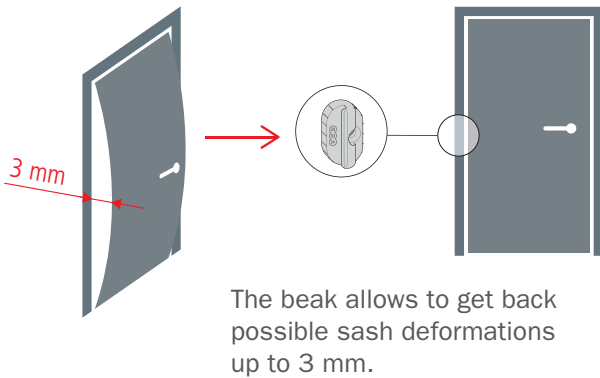
The beak is compatible with: Minimal Plus, Minimal, Easy-Fix, Easy-Matic and Alutop.



Sash part

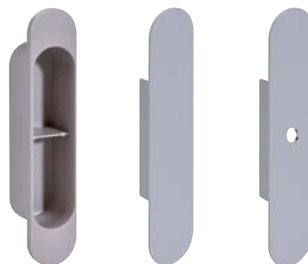


Frame part



## JIGS

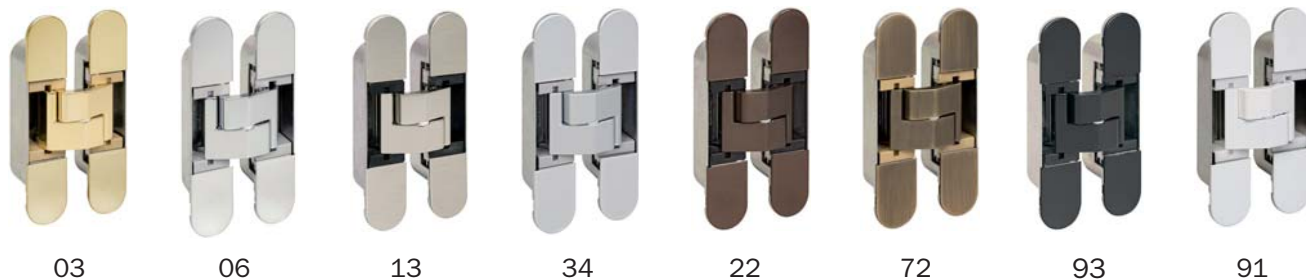
Single and double jigs available for every model.



## FRAME CAPS FOR ECLIPSE 3.0, 3.1, 3.2 AND 3.4

In flush doors, the frame cap allows to cover the hole of the frame part to prevent dirt intrusion during the installation to the wall.

# AVAILABLE RANGE OF FINISHES



## FINISHES FOR METAL COVERS















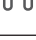




03. Enamelled brass plated | 06. Nickel plated | 13. Satin nickel plated | 34. Matt chromium plated |  
22. Enamelled bronze plated | 72. Matt antique brass plated | 93. Black | 91. White RAL 9010.








## FINISHES FOR COVERS IN PLASTIC MATERIAL

03. Enamelled brass plated | 06. Nickel plated | 34. Matt chromium plated | 44. Grey |  
22. Enamelled bronze plated | 93. Black | 91. White RAL 9010.

# GUIDE TO CHOOSE THE ECLIPSE HINGE

 ECLIPSE Models	TECHNICAL INFORMATION					
	 CAPACITY	 ADJUSTMENTS	 OPENING	 MAX. EXTENSION	 FLUSH	 SURFACE MOUNTED
	COVERS APPLICATION					
2.0	 x 3 = 60 kg	3	180°	19,5 mm	●	
	 x 2 = 40 kg					
3.0	 x 3 = 60 kg	3	180°	14 mm		●
	 x 2 = 40 kg					
3.1	 x 3 = 60 kg	3	180°	14 mm		●
	 x 2 = 40 kg					
3.2	 x 3 = 60 kg	3	180°	14 mm	●	
	 x 2 = 40 kg					
3.3	 x 3 = 60 kg	3	180°	14 mm	●	
	 x 2 = 40 kg					
3.4	 x 3 = 60 kg	3	180°	14 mm	●	
	 x 2 = 40 kg					

APPLICATIONS			CERTIFICATIONS	
			 EN 1634	 EAD 020001-01-0405 EN 1935
	●			
●	●	●	30 min	●
	●	●		●
●	●	●	30 min	●
●	●	●		
	●	●		



Open, Close, Live

Alban Giacomo spa  
Via A. De Gasperi, 75  
36060 Romano d'Ezzelino (VI) Italy  
+39 0424 832 832  
[www.agb.it](http://www.agb.it) - [info@agb.it](mailto:info@agb.it)

MADE IN ITALY

A horizontal graphic of the Italian flag, with green, white, and red stripes.