

PARTS No
P1LU-1-2

EXCAVATOR ZX50

PARTS CATALOG

HITACHI

SN 1LV

TABLE OF CONTENTS

GROUP NUMBER	PART NAME	PAGE
0002:UPPERSTRUCTURE		
001	FRAME S/N 002001 -	1
003	COUNTERWEIGHT <40> S/N 002001 -	2
004	COUNTERWEIGHT <50> S/N 002001 -	3
005	ENGINE S/N 002001 -	4
007	RADIATOR S/N 002001 -	5
009	RADIATOR NET S/N 002001 -	6
010	AIR CLEANER S/N 002001 -	7
011	MUFFLER S/N 002001 -	8
013	FUEL PIPING S/N 002001 -	9
015	TANK (FUEL & OIL) S/N 002001 -	10
017	PUMP DEVICE S/N 002001 -	11
018	PUMP DEVICE SUPPORT S/N 002001 -	12
019	SWING DEVICE S/N 002001 -	13
021	SWING POST S/N 002001 -	14
023	BOOM SWING CYLINDER S/N 002001 -	15
024	OIL COOLER PIPING (1) S/N 002001 -	16
025	OIL COOLER PIPING (2) S/N 002001 -	17
026	OIL COOLER PIPING (3) S/N 40:002001 - 002449; 50:002001 - 002429	18
027	OIL COOLER PIPING (3) S/N 40:002450 -; 50:002430 -	19
029	OIL COOLER PIPING (4) S/N 002001 -	20
031	OIL COOLER PIPING (5) S/N 002001 -	21
032	MAIN PIPING (1) S/N 002001 -	22
033	MAIN PIPING (2) S/N 002001 -	23
035	MAIN PIPING (3) S/N 002001 -	24
037	EXTRA PIPING (UPPERSTRUCTURE) S/N 002001 -	25
039	CONSOLE (R) [CANOPY] S/N 002001 -	26
040	CONSOLE (R) [CAB] S/N 002001 -	27
041	CONSOLE (L) S/N 002001 -	28
043	WRIST REST S/N 002001 -	29
044	ENGINE CONTROL (1) S/N 002001 -	30
045	ENGINE CONTROL (2) S/N 002001 -	31
046	CONTROL LEVER (TRAVEL):1 S/N 002001 -	32
047	CONTROL LEVER (TRAVEL):2 S/N 002001 -	33
049	CONTROL LEVER (BLADE):1 S/N 002001 -	34
051	CONTROL LEVER (BLADE):2 S/N 002001 -	35
053	CONTROL PEDAL (BOOM SWING):1 S/N 002001 -	36
055	CONTROL PEDAL (BOOM SWING):2 S/N 002001 -	37
057	CONTROL PEDAL (TRAVEL SPEED) S/N 002001 -	38
058	EXTRA PEDAL (1) S/N 002001 -	39
059	EXTRA PEDAL (2) S/N 002001 -	40
061	PILOT PIPING (1-1) S/N 002001 -	41
062	PILOT PIPING (1-2) S/N 002001 -	42
063	PILOT PIPING (1-3) S/N 002001 -	43
064	PILOT PIPING (1-4) S/N 002001 -	44
065	PILOT PIPING (2-1) S/N 002001 -	45
067	PILOT PIPING (2-2) S/N 002001 -	46
069	PILOT PIPING (2-3) S/N 40:002001 - 002076; 50:002001 - 002091	47
071	PILOT PIPING (2-3) S/N 40:002077 -; 50:002092 -	48
073	PILOT PIPING (3) S/N 002001 -	49
074	ELECTRIC PARTS (1-1) S/N 002001 -	50

TABLE OF CONTENTS

GROUP NUMBER	PART NAME	PAGE
075	ELECTRIC PARTS (1-2) S/N 002001 -	51
077	ELECTRIC PARTS (1-3) S/N 002001 -	52
079	ELECTRIC PARTS (2-1) S/N 002001 -	53
080	ELECTRIC PARTS (2-2) S/N 002001 -	54
081	ELECTRIC PARTS (2-3) S/N 002001 -	55
083	ELECTRIC PARTS (2-4) S/N 002001 -	56
085	ELECTRIC SOCKET S/N 002001 -	57
086	HEATER PIPING S/N 002001 -	58
087	HEATER S/N 002001 -	59
089	HEATER UNIT S/N 002001 -	60
090	DEFROSTER S/N 002001 -	61
091	CANOPY ASS'Y S/N 002001 -	62
093	CANOPY S/N 002001 -	63
095	CAB ASS'Y S/N 002001 -	64
097	CAB (1) S/N 002001 -	65
099	CAB (2) S/N 002001 -	66
101	CAB (3) S/N 002001 -	67
103	CAB (4) S/N 002001 -	68
105	FLOOR ASS'Y S/N 002001 -	69
106	FLOOR SUPPORT PARTS S/N 40:002001 - 002304; 50:002001 - 002290	70
107	FLOOR SUPPORT PARTS S/N 40:002305 -; 50:002291 -	71
108	FLOOR MAT (STD) S/N 002001 -	72
109	SEAT (CANOPY) S/N 002001 -	73
110	SEAT (CAB) S/N 002001 -	74
111	SEAT BASE S/N 002001 -	75
113	COVER (1-1) S/N 002001 -	76
115	COVER (1-2) S/N 002001 -	77
116	COVER (2-1) S/N 002001 -	78
117	COVER (2-2) S/N 002001 -	79
118	COVER (2-3) S/N 002001 -	80
119	COVER (2-4) S/N 002001 -	81
120	COVER (2-5) <40> S/N 002001 -	82
121	COVER (2-5) <50> S/N 002001 -	83
0003: UNDERCARRIAGE		
122	TRACK FRAME S/N 002001 -	84
123	BOLT KIT S/N 002001 -	85
125	SWING BEARING S/N 002001 -	86
126	TRAVEL DEVICE S/N 002001 -	87
127	FRONT IDLER S/N 002001 -	88
128	ADJUSTER (RUBBER CRAWLER) S/N 002001 -	89
129	ADJUSTER (STEEL CRAWLER) S/N 002001 -	90
130	UPPER ROLLER S/N 002001 -	91
131	LOWER ROLLER S/N 002001 -	92
132	RUBBER CRAWLER S/N 002001 -	93
133	TRACK-LINK 400G S/N 002001 -	94
134	TRACK-LINK 550G S/N 002001 -	95
135	CENTER JOINT S/N 002001 -	96
137	TRAVEL PIPING S/N 002001 -	97
139	BLADE S/N 002001 -	98
140	BLADE PARTS S/N 002001 -	99
141	BLADE PIPING S/N 002001 -	100

TABLE OF CONTENTS

GROUP NUMBER	PART NAME	PAGE
142	BLADE CYLINDER S/N 002001 -	101
0004:FRONT-END ATTACHMENTS		
143	BOOM <40> S/N 002001 -	102
144	BOOM <50> S/N 002001 -	103
145	BOOM PARTS S/N 002001 -	104
146	ARM 1.46M <40> S/N 002001 -	105
147	ARM 1.50M <50> S/N 002001 -	106
148	ARM 1.81M <40> S/N 002001 -	107
149	ARM 1.85M <50> S/N 002001 -	108
151	ARM PARTS (ARM 1.46M) <40> S/N 002001 -	109
153	ARM PARTS (ARM 1.50M) <50> S/N 002001 -	110
155	ARM PARTS (ARM 1.81M) <40> S/N 002001 -	111
157	ARM PARTS (ARM 1.85M) <50> S/N 002001 -	112
159	LINK S/N 002001 -	113
161	BUCKET 0.14 <PCSA> (590mm WIDE) <40> S/N 002001 -	114
163	BUCKET 0.16 <PCSA> (640mm WIDE) <50> S/N 002001 -	115
165	FRONT PIPING <40> S/N 002001 -	116
167	FRONT PIPING <50> S/N 002001 -	117
169	FRONT PIPING PROTECTOR <40> S/N 002001 -	118
170	FRONT PIPING PROTECTOR <50> S/N 002001 -	119
171	BOOM CYLINDER <40> S/N 002001 -	120
172	BOOM CYLINDER <50> S/N 002001 -	121
173	ARM CYLINDER <40> S/N 002001 -	122
174	ARM CYLINDER <50> S/N 002001 -	123
175	BUCKET CYLINDER <40> S/N 002001 -	124
176	BUCKET CYLINDER <50> S/N 002001 -	125
177	EXTRA PIPING (FRONT) [ARM 1.46M] <40> S/N 002001 -	126
179	EXTRA PIPING (FRONT) [ARM 1.50M] <50> S/N 002001 -	127
181	EXTRA PIPING (FRONT) [ARM 1.81M] <40> S/N 002001 -	128
183	EXTRA PIPING (FRONT) [ARM 1.85M] <50> S/N 002001 -	129
0005:TOOLS		
185	TOOLS S/N 002001 -	130
0006:NAME-PLATE		
187	NAME-PLATE (ENGLISH) <40> S/N 002001 -	131
189	NAME-PLATE (ENGLISH) <50> S/N 002001 -	132

1	FRAME S/N 002001 -			P1LU-1-2	1
ITEM	PART NUMBER	PART NAME	QTY	SERIAL NO	
00	5008641	FRAME;MAIN	1	002001 -	
05	J981465	BOLT	22	002001 -	
05	J921465	BOLT	22	002001 -	
07	4405597	BUSHING	2	002001 -	
10	4410129	STOPPER	1	002001 -	
13	J041230	BOLT;SEMS	2	002001 -	
13	J271230	BOLT;SEMS	2	002001 -	
15	4331915	ADAPTER;S	3	002001 -	
16	J75481	FITTING;GREASE	4	002001 -	
17	4363309	HOSE;PLASTIC	1	002001 -	
18	4291230	HOSE;NYLON	1	002001 -	
19	4331916	ELBOW;S	1	002001 -	
22	8091762	BRACKET	1	002001 -	
23	4361776	COVER	1	002001 -	
24	8065064	COVER	1	002001 -	
25	3097913	COVER	1	002001 -	
26	4600643	COVER	1	002001 -	
27	J090830	BOLT;SEMS	2	002001 -	
27	J260830	BOLT;SEMS	2	002001 -	
28	J090820	BOLT;SEMS	12	002001 -	
28	J260820	BOLT;SEMS	12	002001 -	
31	9744373	PIN	1	002001 -	
32	4339355	BUSHING	1	002001 -	
33	J971440	BOLT	1	002001 -	
33	J901440	BOLT	1	002001 -	
36	3072912	BRACKET	1	002001 -	
37	J253108	WASHER;PLANE	2	002001 -	
37	A590108	WASHER;PLANE	2	002001 -	
38	J080814	BOLT;SEMS	2	002001 -	
38	J260814	BOLT;SEMS	2	002001 -	
41	4346917	CUSHION	1	002001 -	
44	3097914	COVER	1	002001 -	
45	3097915	COVER	1	002001 -	
47	J090816	BOLT;SEMS	10	002001 -	
47	J260816	BOLT;SEMS	10	002001 -	
49	8091677	COVER	1	002001 -	
50	J090820	BOLT;SEMS	2	002001 -	
50	J260820	BOLT;SEMS	2	002001 -	
51	4611384	BUSHING;RUBBER	1	002001 -	
54	4604945	RUBBER	1	002001 -	
56	J080830	BOLT;SEMS	1	002001 -	
56	J260830	BOLT;SEMS	1	002001 -	
58	4346037	WASHER	1	002001 -	
58	4338215	WASHER	1	002001 -	
60	4604209	COVER	1	002001 -	
61	4161735	PACKING	1	002001 -	
62	J051020	BOLT;SEMS	2	002001 -	
62	J271020	BOLT;SEMS	2	002001 -	

1

FRAME S/N 002001 -

P1LU-1-2

1

002001 -

64

4613357

BUSHING;RUBBER

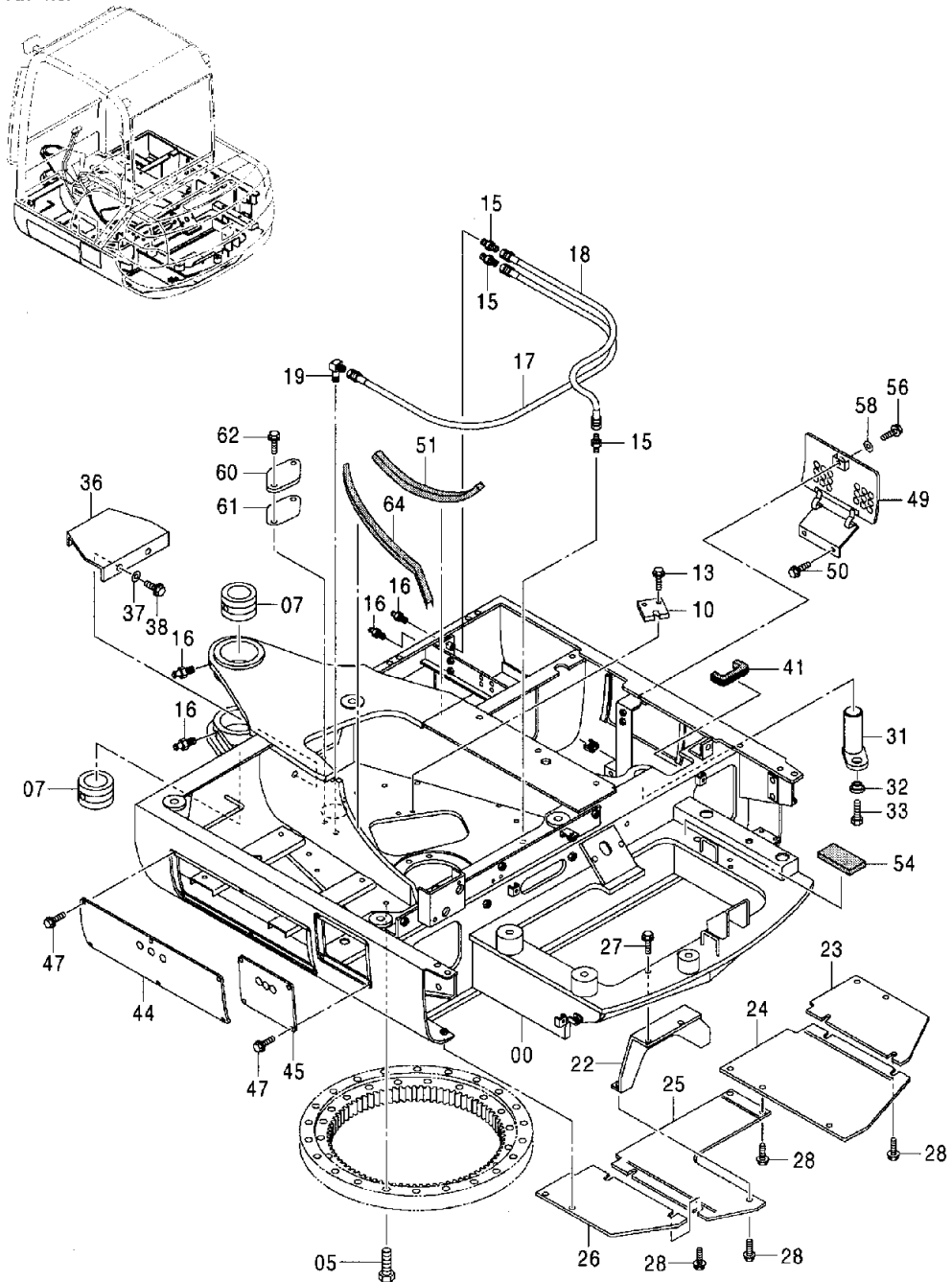
1

002001 -

001A

フレーム
FRAME

適用号機 002001-
Serial No.

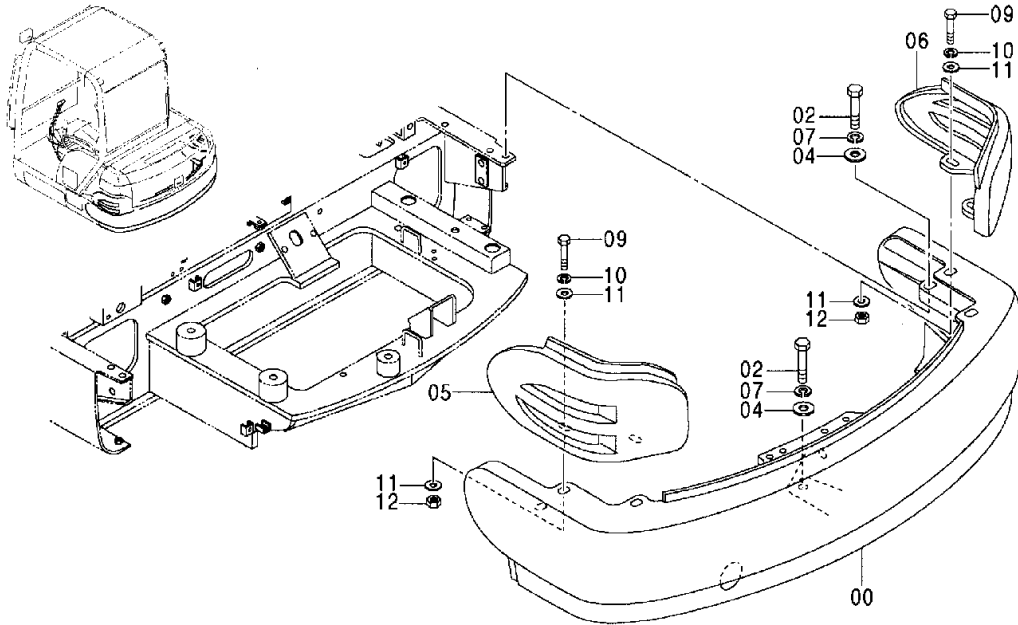


ITEM	PART NUMBER	PART NAME	QTY	SERIAL NO
00	0001946	WEIGHT	1	002001 -
00	0005285	WEIGHT	1	002001 -
02	J911800	BOLT	3	002001 -
04	4368739	WASHER	3	002001 -
05	0001947	PROTECTOR	1	002001 -
06	0001948	PROTECTOR	1	002001 -
07	J252218	WASHER;SPRING	3	002001 -
07	J257218	WASHER;SPRING	3	002001 -
09	J971060	BOLT	4	002001 -
09	J901060	BOLT	4	002001 -
09	J901070	BOLT	4	002001 -
10	J252210	WASHER;SPRING	4	002001 -
10	A590910	WASHER;SPRING	4	002001 -
11	J253210	WASHER;PLANE	8	002001 -
11	J217083	WASHER	8	002001 -
12	J231210	NUT	4	002001 -
12	J950010	NUT	4	002001 -

003

カウンタウエイト <40>
COUNTERWEIGHT <40>

適用号機 002001-
Serial No.



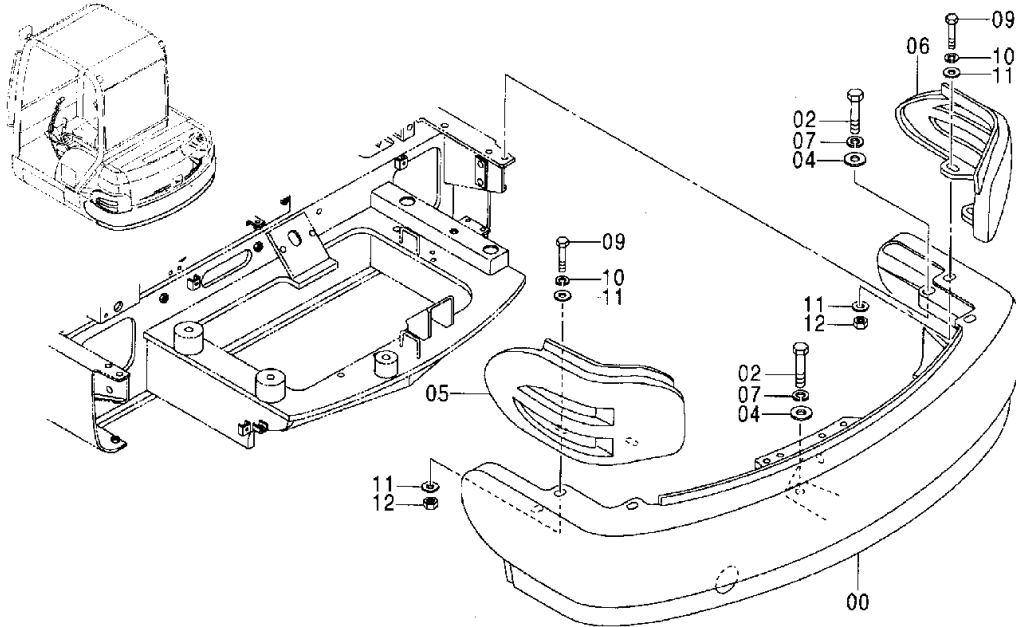
ITEM	PART NUMBER	PART NAME	QTY	SERIAL NO
00	0001953	WEIGHT	1	002001 -
00	0005280	WEIGHT	1	002001 -
02	J911800	BOLT	3	002001 -
04	4368739	WASHER	3	002001 -
05	0001947	PROTECTOR	1	002001 -
06	0001948	PROTECTOR	1	002001 -
07	J252218	WASHER;SPRING	3	002001 -
07	J257218	WASHER;SPRING	3	002001 -
09	J971060	BOLT	4	002001 -
09	J901070	BOLT	4	002001 -
10	J252210	WASHER;SPRING	4	002001 -
10	A590910	WASHER;SPRING	4	002001 -
11	J253210	WASHER;PLANE	8	002001 -
11	J217083	WASHER	8	002001 -
12	J231210	NUT	4	002001 -
12	J950010	NUT	4	002001 -

P1LU-1-2_004-0

004

カウンタウエイト <50>
COUNTERWEIGHT <50>

通用号機 002001-
Serial No.



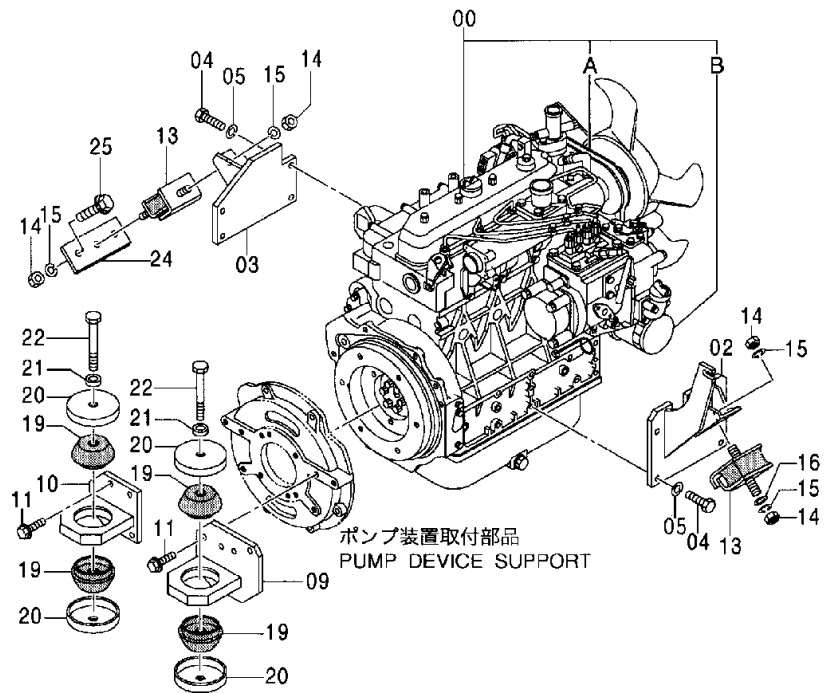
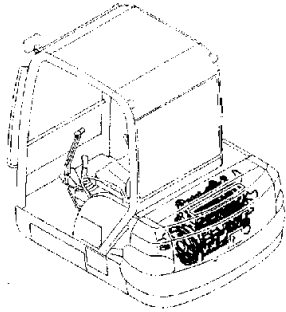
4	ENGINE S/N 002001 -	P1LU-1-2	4
----------	----------------------------	-----------------	----------

ITEM	PART NUMBER	PART NAME	QTY	SERIAL NO
00	4600389	ENGINE	1	002001 -
00A	4608757	BELT;FAN	1	002001 -
00B	4454527	FILTER;OIL	1	002001 -
00B	4454524	FILTER;OIL	1	002001 -
02	8091766	BRACKET	1	002001 -
03	7029991	BRACKET	1	002001 -
04	4351043	BOLT	8	002001 -
				002001 -
04	J241230	BOLT	8	002001 -
				002001 -
05	J252212	WASHER;SPRING	8	002001 -
05	A590912	WASHER;SPRING	8	002001 -
09	8091151	BRACKET	1	002001 -
10	7029990	BRACKET	1	002001 -
11	J041030	BOLT;SEMS	6	002001 -
11	J271030	BOLT;SEMS	6	002001 -
				002001 -
13	4272585	RUBBER	2	002001 -
14	J231214	NUT	4	002001 -
14	J950014	NUT	4	002001 -
15	J252214	WASHER;SPRING	4	002001 -
15	A590914	WASHER;SPRING	4	002001 -
16	4086894	WASHER	1	002001 -
19	4272586	RUBBER	4	002001 -
20	4275140	STOPPER	4	002001 -
21	J254016	WASHER	2	002001 -
21	J222016	WASHER	2	002001 -
22	J971604	BOLT	2	002001 -
22	J901604	BOLT	2	002001 -
24	4348541	PLATE	1	002001 -
25	J051240	BOLT;SEMS	2	002001 -
25	J271240	BOLT;SEMS	2	002001 -
				002001 -

005

エンジン ENGINE

適用号機 002001-
Serial No.



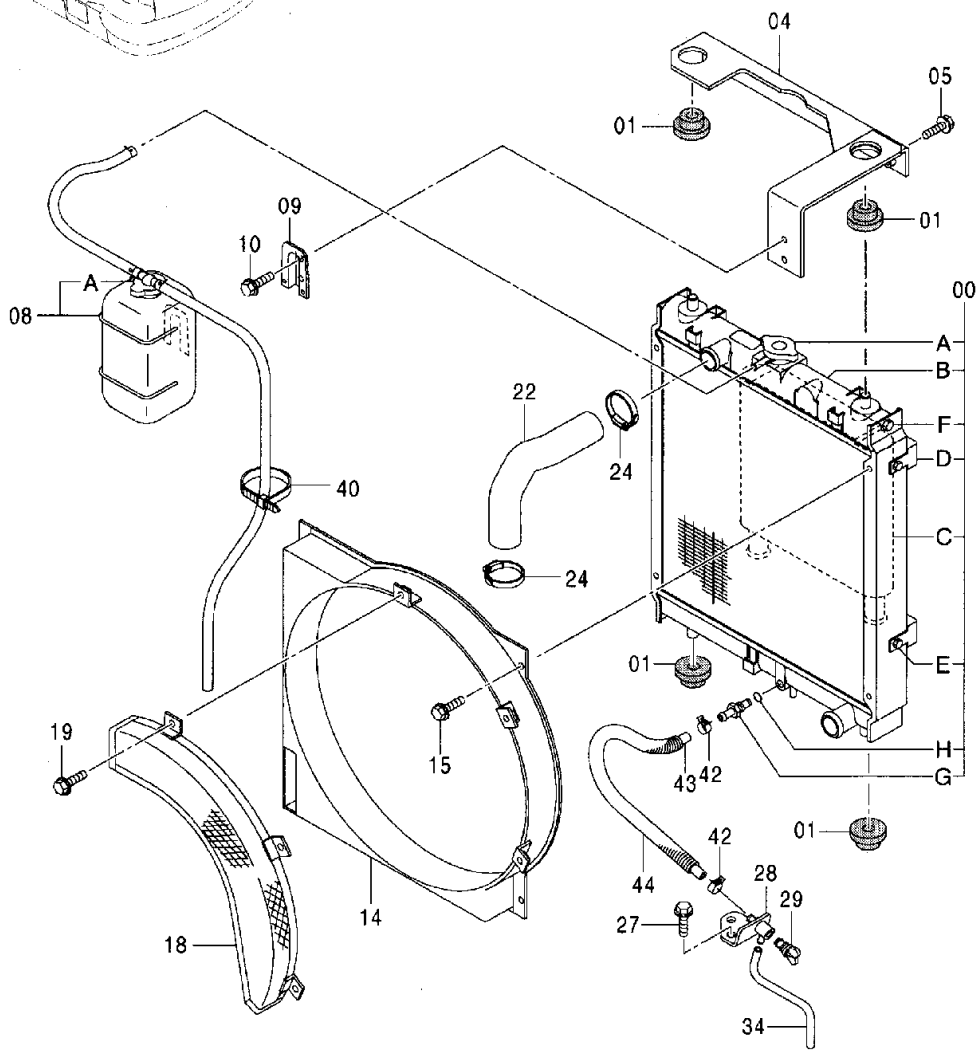
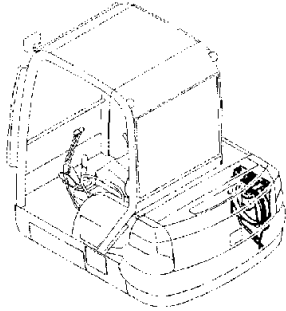
5	RADIATOR S/N 002001 -	P1LU-1-2	5
----------	------------------------------	-----------------	----------

ITEM	PART NUMBER	PART NAME	QTY	SERIAL NO
00	4487293	RADIATOR	1	002001 -
00A	+++++++	CAP	1	002001 -
00B	+++++++	CORE	1	002001 -
00C	+++++++	COOLER;OIL	1	002001 -
00D	+++++++	BRACKET	2	002001 -
00E	+++++++	BOLT;SEMS	4	002001 -
00F	+++++++	BOLT;SEMS	8	002001 -
00G	+++++++	PLUG	1	002001 -
00H	+++++++	O-RING	1	002001 -
01	4402635	RUBBER;CUSHION	4	002001 -
04	8090374	BRACKET	1	002001 -
05	J051025	BOLT;SEMS	2	002001 -
05	J271025	BOLT;SEMS	2	002001 -
				002001 -
08	4431425	TANK;WATER	1	002001 -
08A	4434454	CAP	1	002001 -
09	4367147	PLATE	1	002001 -
10	J090616	BOLT;SEMS	2	002001 -
10	J260614	BOLT;SEMS	2	002001 -
				002001 -
14	6021656	SHROUD	1	002001 -
15	J090614	BOLT;SEMS	4	002001 -
15	J260612	BOLT;SEMS	4	002001 -
				002001 -
18	4414164	GUARD;FAN	1	002001 -
19	J090612	BOLT;SEMS	3	002001 -
19	J260612	BOLT;SEMS	3	002001 -
				002001 -
22	3097313	HOSE;WATER	1	002001 -
24	4011675	CLAMP;HOSE	2	002001 -
27	J051020	BOLT;SEMS	2	002001 -
27	J271020	BOLT;SEMS	2	002001 -
				002001 -
28	4401686	COCK	1	002001 -
29	4401687	COCK	1	002001 -
34	4461548	HOSE;VINYL	1	002001 -
40	4055312	CLIP;BAND	1	002001 -
42	4351486	CLAMP;HOSE	2	002001 -
43	4309793	HOSE;WATER	1	002001 -
44	4429254	TUBE	1	002001 -

007

ラジエータ
RADIATOR

適用号機 002001-
Serial No.

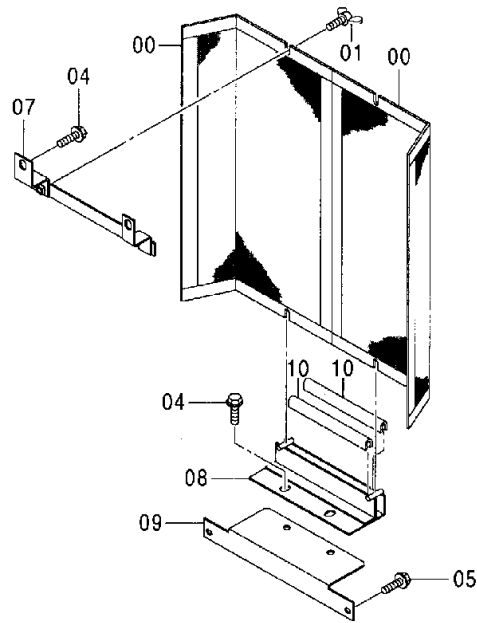
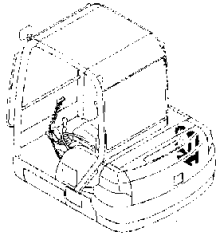


ITEM	PART NUMBER	PART NAME	QTY	SERIAL NO
00	7043888	NET	2	002001 -
01	M360616	BOLT;WING	2	002001 -
04	J090820	BOLT;SEMS	4	002001 -
04	J260820	BOLT;SEMS	4	002001 -
				002001 -
05	J090612	BOLT;SEMS	2	002001 -
05	J260612	BOLT;SEMS	2	002001 -
				002001 -
07	8093371	BRACKET	1	002001 -
08	8093372	BRACKET	1	002001 -
09	8093373	BRACKET	1	002001 -
10	4347875	CUSHION	2	002001 -

009

ラジエータ用ネット
RADIATOR NET

適用号機 002001-
Serial No.



7

AIR CLEANER S/N 002001 -

P1LU-1-2

7

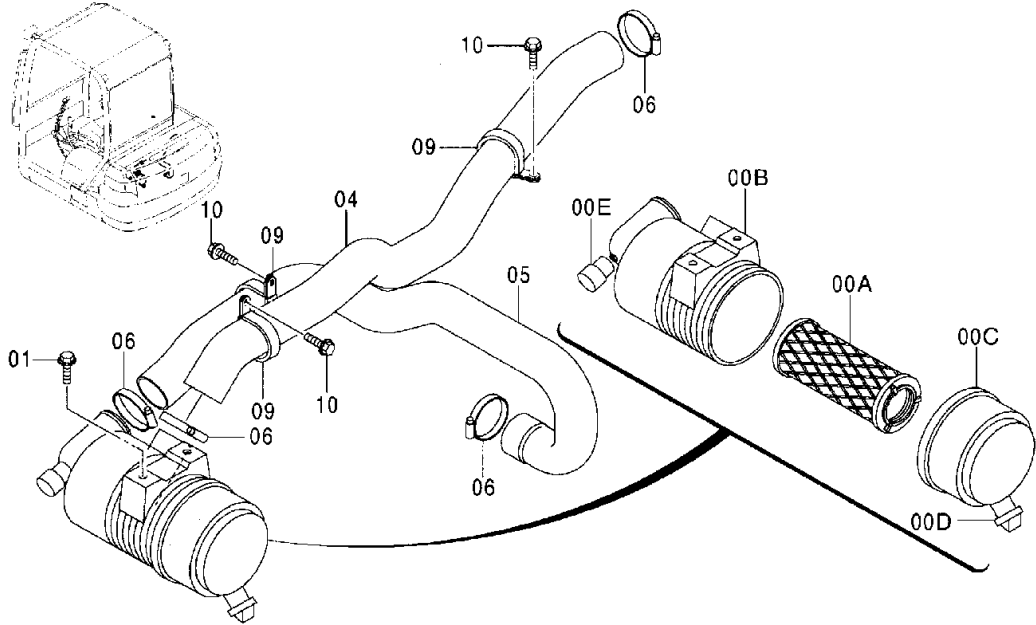
ITEM	PART NUMBER	PART NAME	QTY	SERIAL NO
00	4600361	CLEANER;AIR	1	002001 -
00A	4417516	ELEMENT	1	002001 -
00B	4613887	BODY	1	002001 -
00C	4613888	COVER	1	002001 -
00D	4383877	VALVE	1	002001 -
00E	989335	INDICATOR	1	002001 -
01	J090820	BOLT;SEMS	2	002001 -
01	J260820	BOLT;SEMS	2	002001 -
				002001 -
04	3097931	HOSE;RUBBER	1	002001 -
05	3097514	HOSE;RUBBER	1	002001 -
06	4504199	CLAMP;HOSE	4	002001 -
09	4193816	CLIP	3	002001 -
10	J051025	BOLT;SEMS	3	002001 -
10	J271025	BOLT;SEMS	3	002001 -
				002001 -

P1LU-1-2_010-0

010

エアクリーナ
AIR CLEANER

適用号機 002001-
Serial No.

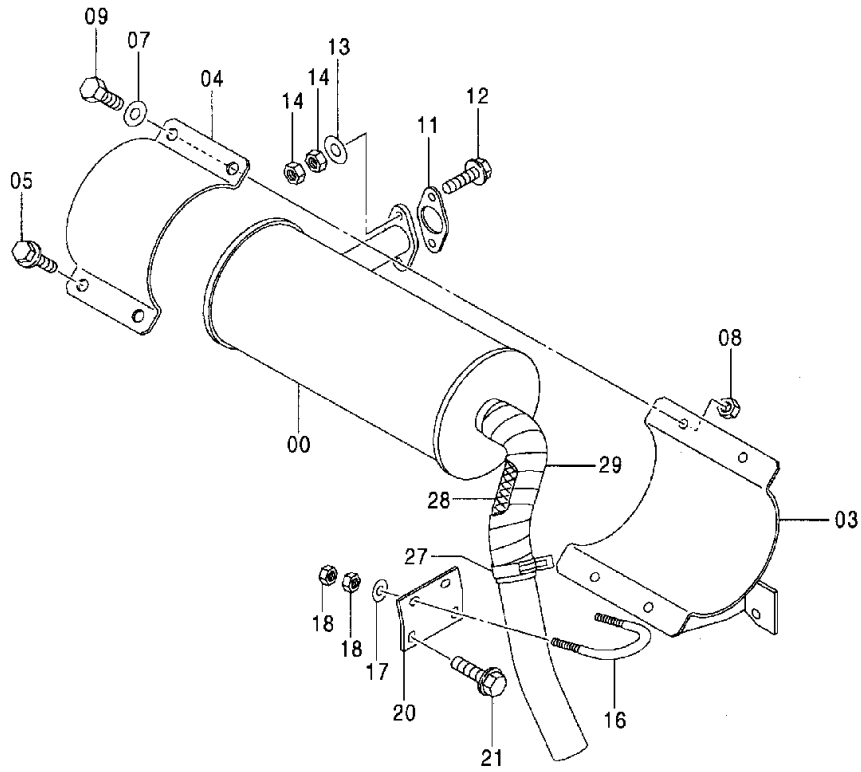
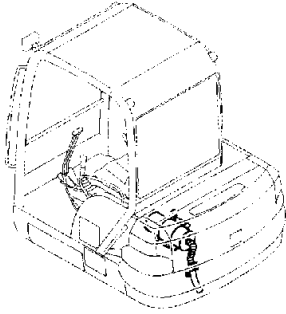


ITEM	PART NUMBER	PART NAME	QTY	SERIAL NO
00	4600372	MUFFLER	1	002001 -
03	8091163	BRACKET	1	002001 -
04	4401766	BAND	1	002001 -
05	J051025	BOLT;SEMS	2	002001 -
05	J271025	BOLT;SEMS	2	002001 -
07	J253110	WASHER;PLANE	2	002001 -
07	A590110	WASHER;PLANE	2	002001 -
08	J231210	NUT	2	002001 -
08	J950010	NUT	2	002001 -
09	J971035	BOLT	2	002001 -
09	J901035	BOLT	2	002001 -
11	4300464	GASKET	1	002001 -
12	J041045	BOLT;SEMS	2	002001 -
12	J271045	BOLT;SEMS	2	002001 -
13	J253110	WASHER;PLANE	2	002001 -
13	A590110	WASHER;PLANE	2	002001 -
14	J231210	NUT	4	002001 -
14	J950010	NUT	4	002001 -
16	4366397	BOLT;U	1	002001 -
17	J253108	WASHER;PLANE	2	002001 -
17	A590108	WASHER;PLANE	2	002001 -
18	J231108	NUT	4	002001 -
18	M500807	NUT	4	002001 -
20	4488633	BRACKET	1	002001 -
21	J090820	BOLT;SEMS	2	002001 -
21	J260820	BOLT;SEMS	2	002001 -
27	4399511	CLAMP	1	002001 -
28	4399512	COVER;PIPE	1	002001 -
29	4399513	TAPE	1	002001 -

011

マフラー
MUFFLER

適用号機 002001-
Serial No.

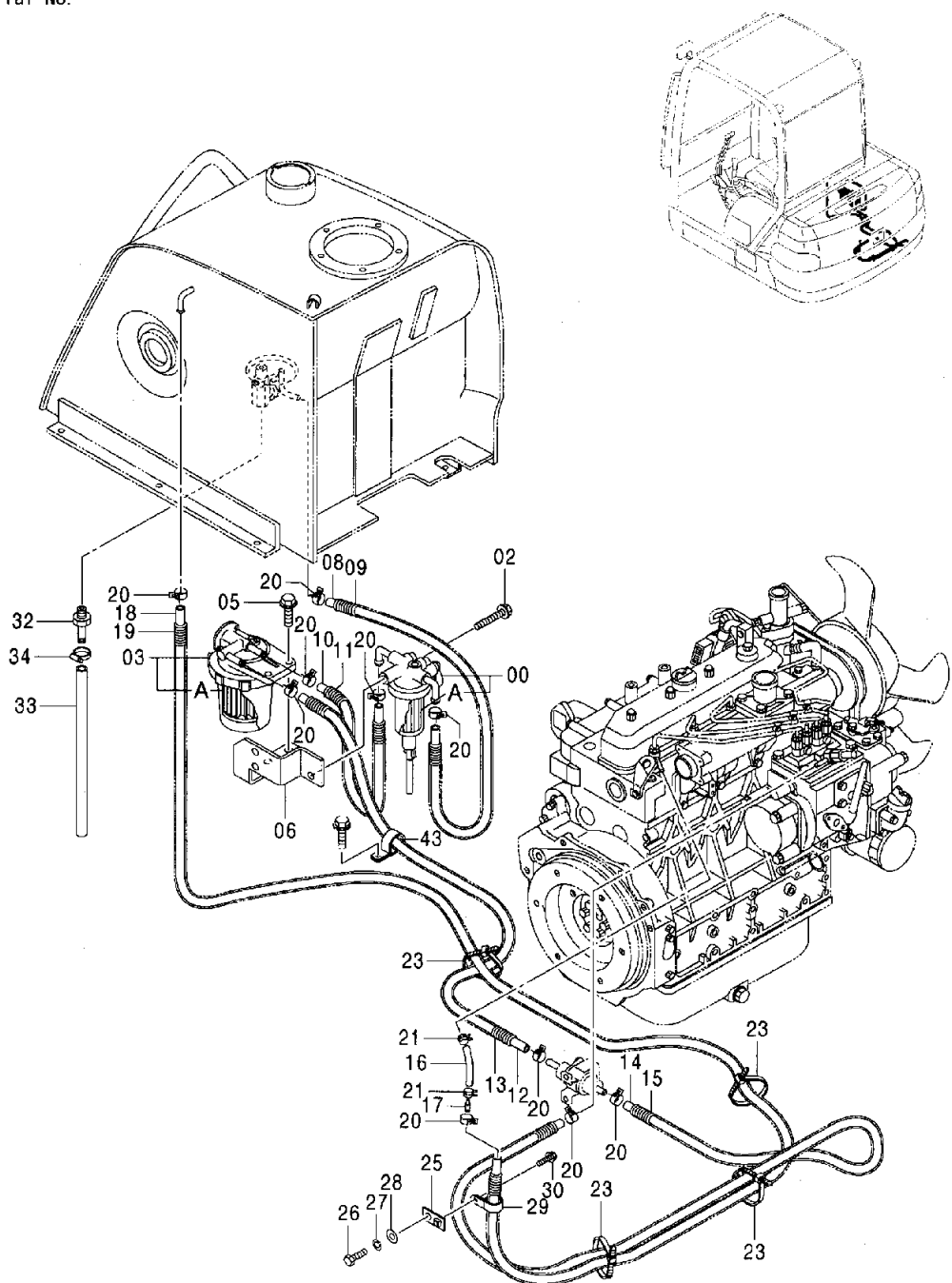


ITEM	PART NUMBER	PART NAME	QTY	SERIAL NO
00	4468770	FILTER	1	002001 -
00A	4418776	ELEMENT;FILTER	1	002001 -
02	J090865	BOLT;SEMS	1	002001 -
02	J260865	BOLT;SEMS	1	002001 -
03	4349936	FILTER;FUEL	1	002001 -
03A	4366704	ELEMENT;FILTER	1	002001 -
05	J090825	BOLT;SEMS	4	002001 -
05	J260825	BOLT;SEMS	4	002001 -
06	9761219	BRACKET	1	002001 -
08	4346559	HOSE;FUEL	1	002001 -
09	4388259	TUBE	1	002001 -
10	4427933	HOSE;FUEL	1	002001 -
11	4447557	TUBE	1	002001 -
12	4365865	HOSE;FUEL	1	002001 -
13	4365869	TUBE	1	002001 -
14	4358211	HOSE;FUEL	1	002001 -
15	4363467	TUBE	1	002001 -
16	4393651	HOSE;FUEL	1	002001 -
17	4361953	JOINT	1	002001 -
18	4358210	HOSE;FUEL	1	002001 -
19	4358216	TUBE	1	002001 -
20	4339258	CLAMP;HOSE	10	002001 -
21	4393609	CLAMP;HOSE	2	002001 -
23	4055312	CLIP;BAND	4	002001 -
25	9761033	BRACKET	1	002001 -
26	4438064	BOLT	1	002001 -
27	J252212	WASHER;SPRING	1	002001 -
27	A590912	WASHER;SPRING	1	002001 -
28	J253112	WASHER;PLANE	1	002001 -
28	A590112	WASHER;PLANE	1	002001 -
29	4190274	CLIP	1	002001 -
30	J051020	BOLT;SEMS	1	002001 -
30	J271020	BOLT;SEMS	1	002001 -
32	4362542	ADAPTER	1	002001 -
33	4388378	HOSE;FUEL	1	002001 -
34	4514700	CLIP;HOSE	1	002001 -
43	4190274	CLIP	1	002001 -

013

燃料配管
FUEL PIPING

通用号機 002001-
Serial No.

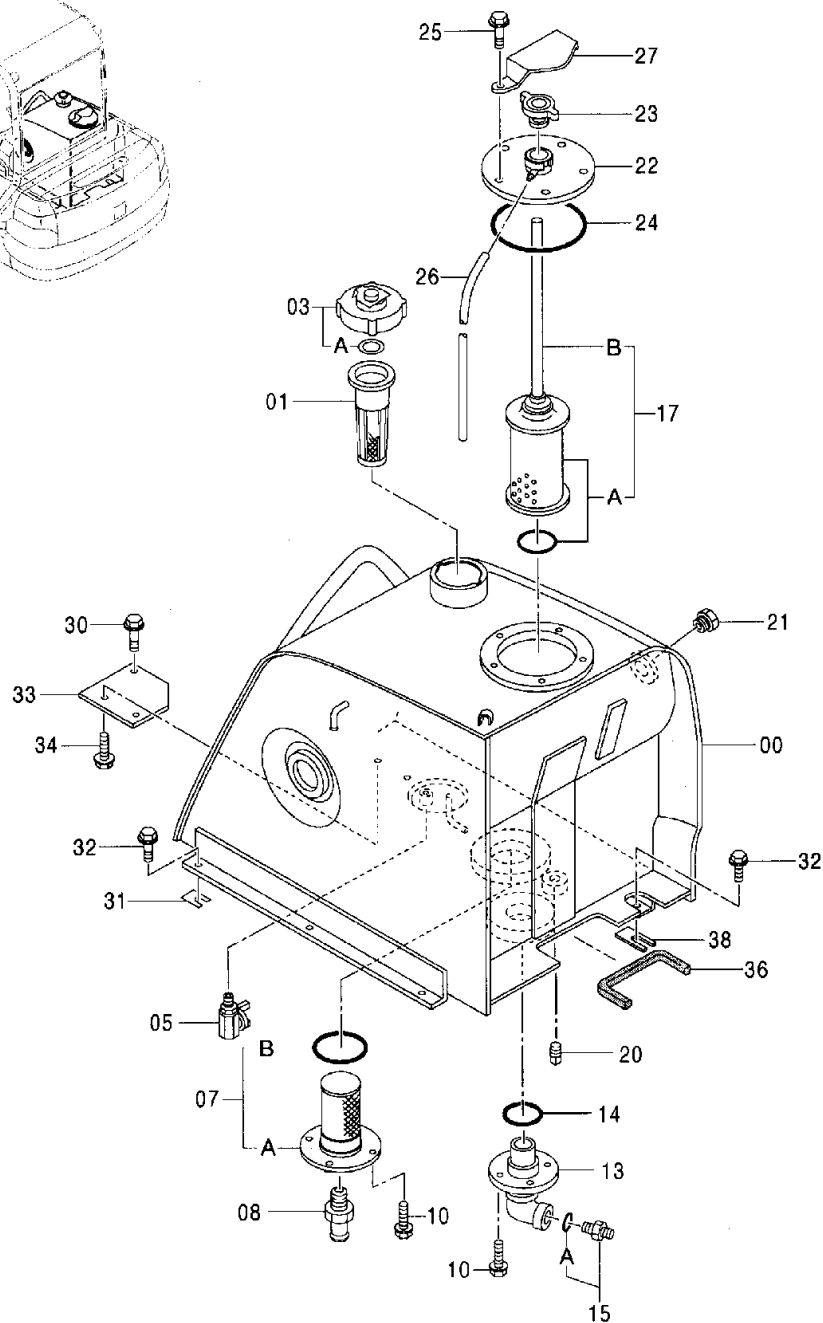
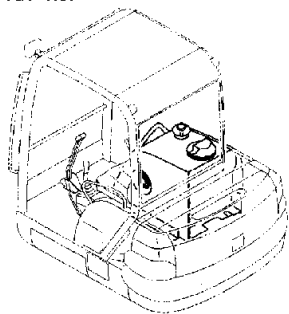


10	TANK (FUEL & OIL) S/N 002001 -			P1LU-1-2	10
ITEM	PART NUMBER	PART NAME	QTY	SERIAL NO	
00	6014930	TANK	1	002001 -	
01	4279093	FILTER	1	002001 -	
03	4363380	CAP	1	002001 -	
03A	4460931	PACKING	1	002001 -	
05	4343137	VALVE;BALL	1	002001 -	
07	4294131	FILTER;SUCTION	1	002001 -	
07A	4339554	FILTER;SUCTION	1	002001 -	
07B	A810085	O-RING	1	002001 -	
08	4300509	ADAPTER;S	1	002001 -	
10	J041025	BOLT;SEMS	8	002001 -	
10	J271025	BOLT;SEMS	8	002001 -	
13	8062235	PIPE;RETURN	1	002001 -	
14	A810065	O-RING	1	002001 -	
15	4276936	ADAPTER;S	1	002001 -	
15A	4506429	O-RING	1	002001 -	
17	4272372	FILTER;RETURN	1	002001 -	
17A	4294132	ELEMENT;FILTER	1	002001 -	
17B	4294133	BAR	1	002001 -	
20	94-2025	PLUG	1	002001 -	
21	4279846	GAUGE;LEVEL	1	002001 -	
22	8051329	COVER	1	002001 -	
23	4272375	CAP	1	002001 -	
24	A810135	O-RING	1	002001 -	
25	J051022	BOLT;SEMS	5	002001 -	
25	J271020	BOLT;SEMS	5	002001 -	
26	4279562	HOSE;VINYL	1	002001 -	
27	4288646	PROTECTOR	1	002001 -	
30	J051035	BOLT;SEMS	1	002001 -	
30	J271035	BOLT;SEMS	1	002001 -	
31	4318696	SHIM 0.8	5	002001 -	
32	J051030	BOLT;SEMS	4	002001 -	
32	J271030	BOLT;SEMS	4	002001 -	
33	4300517	PLATE	1	002001 -	
34	J051025	BOLT;SEMS	2	002001 -	
34	J271025	BOLT;SEMS	2	002001 -	
36	4347872	CUSHION	1	002001 -	
38	4391795	SHIM 3.2	5	002001 -	

015A

タンク (燃料, オイル)
TANK (FUEL & OIL)

適用号機 002001-
Serial No.



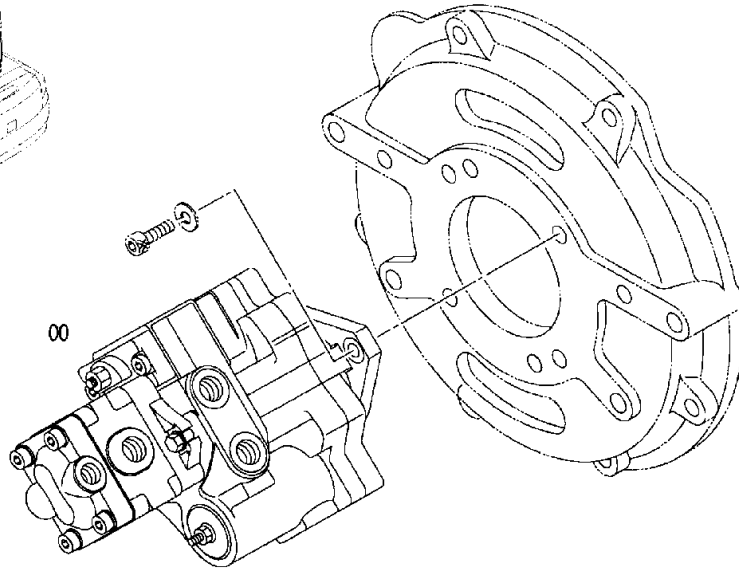
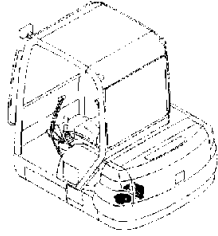
11	PUMP DEVICE S/N 002001 -	P1LU-1-2	11
----	--------------------------	----------	----

ITEM	PART NUMBER	PART NAME	QTY	SERIAL NO
00	4486558	PUMP;PISTON	1	002001 -

017

ポンプ装置
PUMP DEVICE

通用号機 002001-
Serial No.



12	PUMP DEVICE SUPPORT S/N	P1LU-1-2	12
-----------	--------------------------------	-----------------	-----------

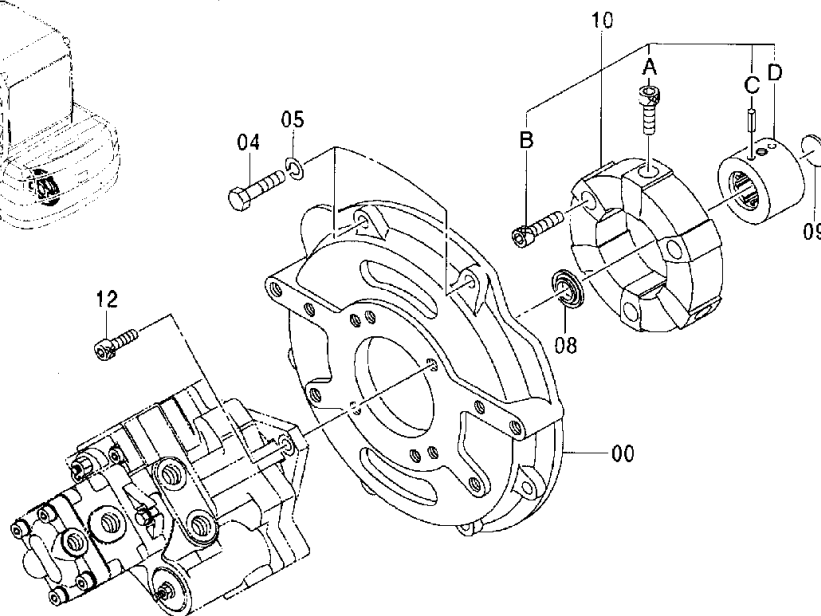
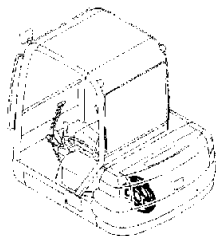
ITEM	PART NUMBER	PART NAME	QTY	SERIAL NO
00	2037731	COVER;PUMP	1	002001 -
04	4351042	BOLT	6	002001 -
				002001 -
04	4623689	BOLT	6	002001 -
				002001 -
05	J252210	WASHER;SPRING	6	002001 -
05	A590910	WASHER;SPRING	6	002001 -
08	4245228	SEAL;OIL	1	002001 -
09	A882030	PLUG	1	002001 -
10	4402125	COUPLING	1	002001 -
10A	4268718	BOLT;SOCKET	3	002001 -
10B	4268719	BOLT;SOCKET	3	002001 -
10C	4101345	PIN;SPRING	6	002001 -
10D	3051851	COUPLING	1	002001 -
12	J771230	BOLT;SOCKET	2	002001 -
12	J781230	BOLT;SOCKET	2	002001 -

P1LU-1-2_018-0

018

ポンプ装置取付部品
PUMP DEVICE SUPPORT

適用号機 002001-
Serial No.

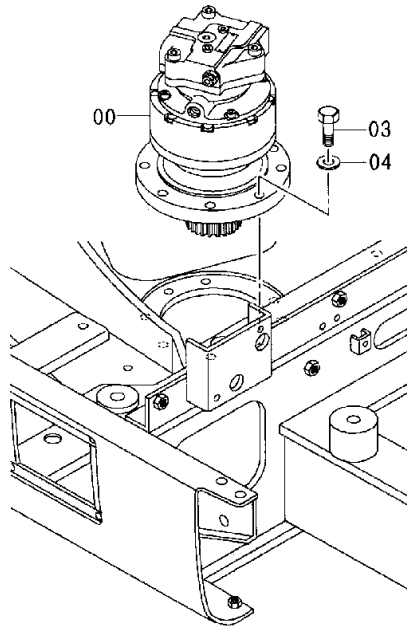
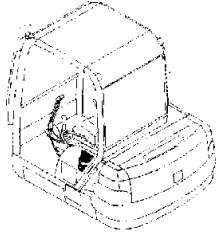


ITEM	PART NUMBER	PART NAME	QTY	SERIAL NO
00	4608459	MOTOR;OIL	1	002001 -
03	J971640	BOLT	8	002001 -
03	J901640	BOLT	8	002001 -
04	J254016	WASHER	8	002001 -
04	J222016	WASHER	8	002001 -

019

旋回装置
SWING DEVICE

適用号機 002001-
Serial No.

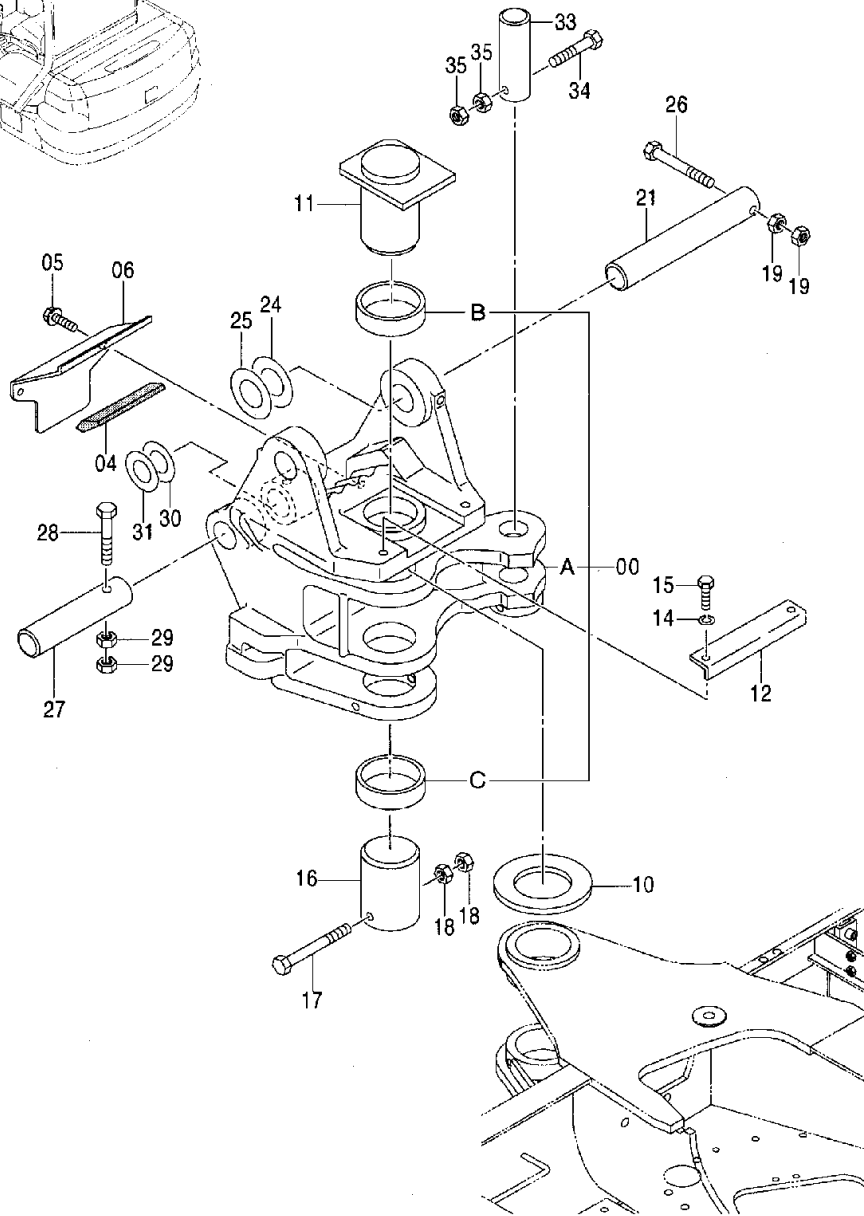
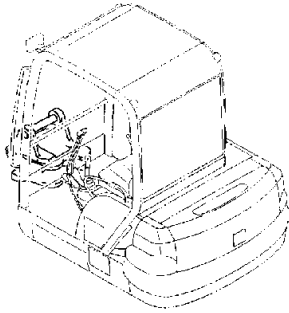


ITEM	PART NUMBER	PART NAME	QTY	SERIAL NO
00	8101368	SWINGPOST ASS'Y	1	002001 -
00A	0004727	SWINGPOST	1	002001 -
00B	4403498	BUSHING	1	002001 -
00C	4403497	BUSHING	1	002001 -
04	4286202	BUSHING;RUBBER	1	002001 -
05	J051025	BOLT;SEMS	2	002001 -
05	J271025	BOLT;SEMS	2	002001 -
06	3074864	CLAMP;HOSE	1	002001 -
10	4349880	PLATE;THRUST	1	002001 -
11	9745069	PIN	1	002001 -
12	4355384	PLATE	1	002001 -
14	J252216	WASHER;SPRING	2	002001 -
14	A590916	WASHER;SPRING	2	002001 -
15	J971630	BOLT	2	002001 -
15	J901630	BOLT	2	002001 -
16	4355385	PIN	1	002001 -
17	J971618	BOLT	1	002001 -
17	J901618	BOLT	1	002001 -
18	J231216	NUT	2	002001 -
18	J950016	NUT	2	002001 -
19	J231214	NUT	2	002001 -
19	J950014	NUT	2	002001 -
21	4355386	PIN	1	002001 -
24	4353803	SHIM 0.5	2	002001 -
25	4355599	SHIM 0.8	2	002001 -
26	4600669	BOLT	1	002001 -
26	4622056	BOLT	1	002001 -
27	4355387	PIN	1	002001 -
28	J971204	BOLT	1	002001 -
28	J901204	BOLT	1	002001 -
29	J231212	NUT	2	002001 -
29	J950012	NUT	2	002001 -
30	4355653	SHIM 0.5	2	002001 -
31	4355659	SHIM 0.8	2	002001 -
33	4355388	PIN	1	002001 -
34	J971202	BOLT	1	002001 -
34	J901202	BOLT	1	002001 -
35	J231212	NUT	2	002001 -
35	J950012	NUT	2	002001 -

021

スイングポスト SWING POST

適用号機 002001-
Serial No.



15

BOOM SWING CYLINDER S/N

P1LU-1-2

15

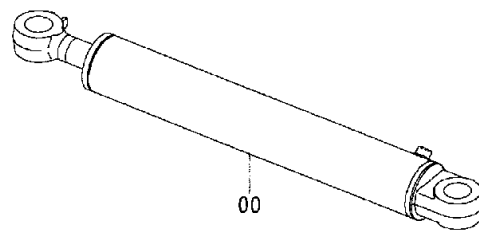
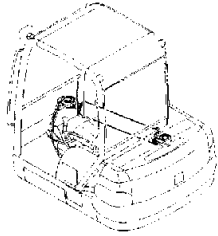
ITEM	PART NUMBER	PART NAME	QTY	SERIAL NO
	9229499	CYL.;SWING	1	002001 -
00	4601911	CYL.;SWING	1	002001 -

P1LU-1-2_023-0

023

ブームスイングシリンダ
BOOM SWING CYLINDER

適用号機 002001-
Serial No.



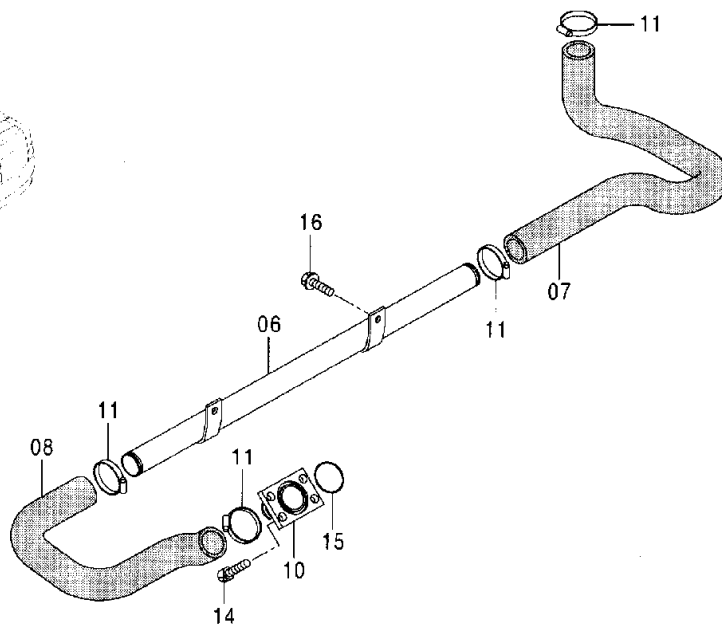
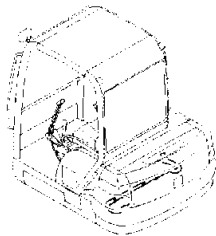
ITEM	PART NUMBER	PART NAME	QTY	SERIAL NO
06	8091739	PIPE;SUCTION	1	002001 -
07	3072273	HOSE;RUBBER	1	002001 -
08	3097481	HOSE;RUBBER	1	002001 -
10	9752265	PIPE;SUCTION	1	002001 -
11	4505385	CLAMP;HOSE	4	002001 -
14	J771025	BOLT;SOCKET	4	002001 -
14	J781025	BOLT;SOCKET	4	002001 -
15	A810040	O-RING	1	002001 -
16	J051030	BOLT;SEMS	2	002001 -
16	J271030	BOLT;SEMS	2	002001 -
				002001 -

P1LU-1-2_024-0

024

オイルクーラ配管 (1)
OIL COOLER PIPING (1)

適用号機 002001-
Serial No.

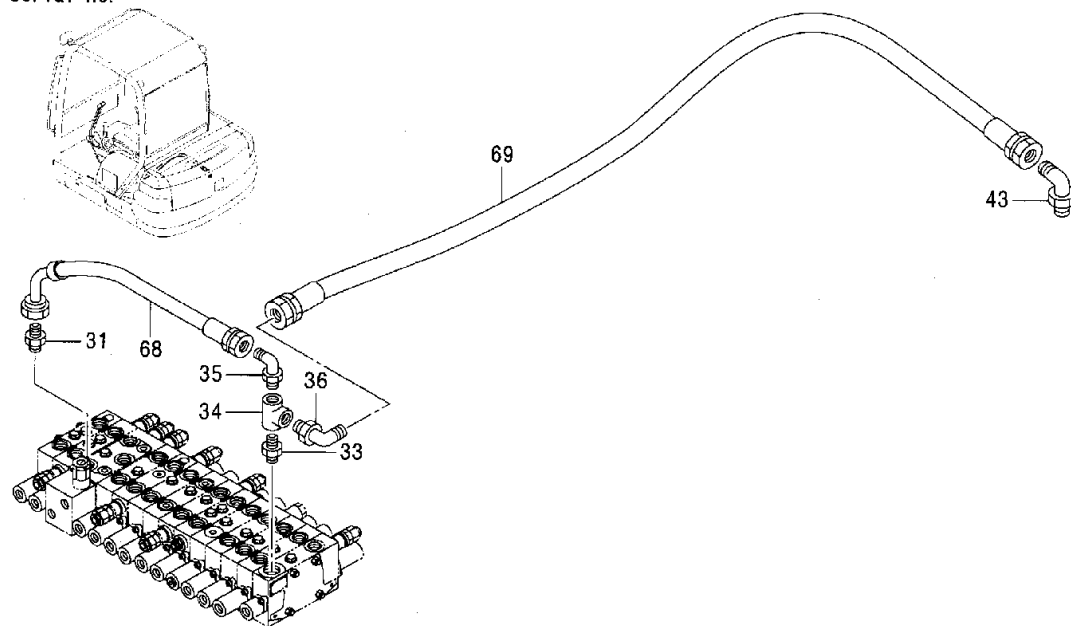


ITEM	PART NUMBER	PART NAME	QTY	SERIAL NO
31	4042032	ADAPTER	1	002001 -
31A	4506418	O-RING	1	002001 -
33	4276851	ADAPTER;S	1	002001 -
33A	4506424	O-RING	1	002001 -
34	4345970	TEE;S	1	002001 -
35	4037923	ELBOW;S	1	002001 -
35A	4506424	O-RING	1	002001 -
36	4169595	ELBOW;S	1	002001 -
36A	4506424	O-RING	1	002001 -
43	4102104	ELBOW;S	1	002001 -
43A	4506429	O-RING	1	002001 -
68	4604553	HOSE	1	002001 -
69	4604554	HOSE	1	002001 -

025

オイルクーラ配管 (2)
OIL COOLER PIPING (2)

適用号機 002001-
Serial No.



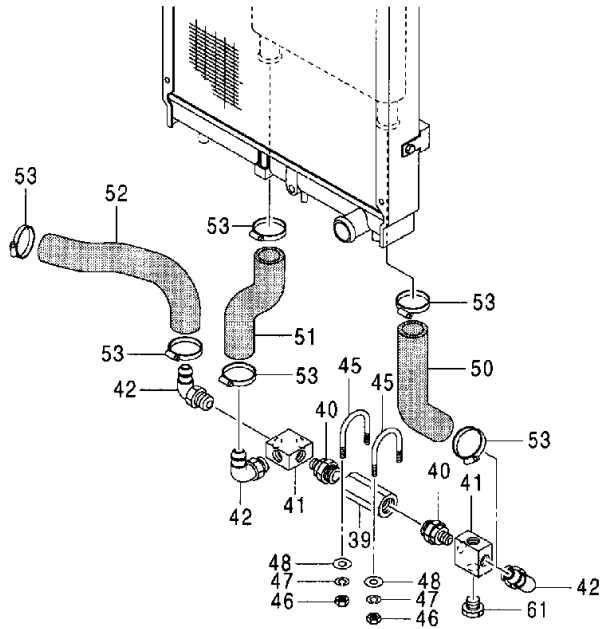
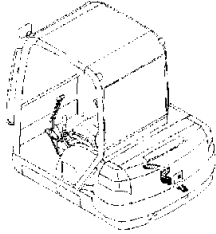
ITEM	PART NUMBER	PART NAME	QTY	SERIAL NO
39	4330478	VALVE;CHECK	1	40:002001 - 002
40	4346101	ADAPTER;S	2	40:002001 - 002
40A	4506424	O-RING	1	40:002001 - 002
40B	4506429	O-RING	1	40:002001 - 002
41	4488295	MANIFOLD	2	40:002001 - 002
42	4276854	ELBOW;S	3	40:002001 - 002
42A	4506424	O-RING	1	40:002001 - 002
45	4340395	BOLT;U	2	40:002001 - 002
46	J231108	NUT	4	40:002001 - 002
46	M500807	NUT	4	40:002001 - 002
47	J252108	WASHER;SPRING	4	40:002001 - 002
47	A590908	WASHER;SPRING	4	40:002001 - 002
48	J253108	WASHER;PLANE	4	40:002001 - 002
48	A590108	WASHER;PLANE	4	40:002001 - 002
50	3096762	HOSE;RUBBER	1	40:002001 - 002
51	3096768	HOSE;RUBBER	1	40:002001 - 002
52	3097487	HOSE;RUBBER	1	40:002001 - 002
53	4505243	CLAMP;HOSE	6	40:002001 - 002
61	4174542	PLUG	1	40:002001 - 002
61A	4506424	O-RING	1	40:002001 - 002

P1LU-1-2_026-0

026

オイルクーラ配管 (3)
OIL COOLER PIPING (3)

適用号機 40:002001-002449
Serial No. 50:002001-002429

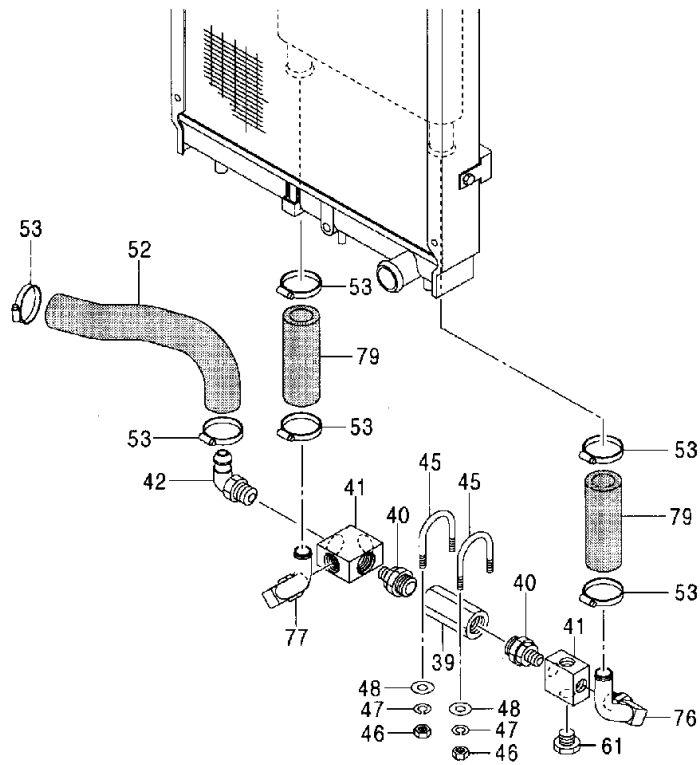
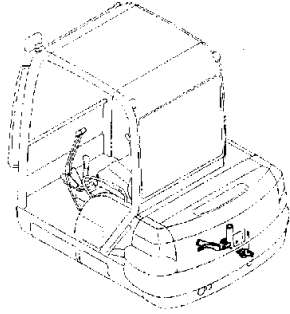


ITEM	PART NUMBER	PART NAME	QTY	SERIAL NO
39	4330478	VALVE;CHECK	1	40:002450 -; 50
40	4346101	ADAPTER;S	2	40:002450 -; 50
40A	4506424	O-RING	1	40:002450 -; 50
40B	4506429	O-RING	1	40:002450 -; 50
41	4629386	MANIFOLD	2	40:002450 -; 50
42	4276854	ELBOW;S	1	40:002450 -; 50
42A	4506424	O-RING	1	40:002450 -; 50
45	4340395	BOLT;U	2	40:002450 -; 50
46	J231108	NUT	4	40:002450 -; 50
46	M500807	NUT	4	40:002450 -; 50
47	J252108	WASHER;SPRING	4	40:002450 -; 50
47	A590908	WASHER;SPRING	4	40:002450 -; 50
48	J253108	WASHER;PLANE	4	40:002450 -; 50
48	A590108	WASHER;PLANE	4	40:002450 -; 50
52	3097487	HOSE;RUBBER	1	40:002450 -; 50
53	4623907	CLAMP;HOSE	6	40:002450 -; 50
61	4174542	PLUG	1	40:002450 -; 50
61A	4506424	O-RING	1	40:002450 -; 50
76	4629323	PIPE	1	40:002450 -; 50
77	4629324	PIPE	1	40:002450 -; 50
79	4629222	HOSE;RUBBER	2	40:002450 -; 50

027

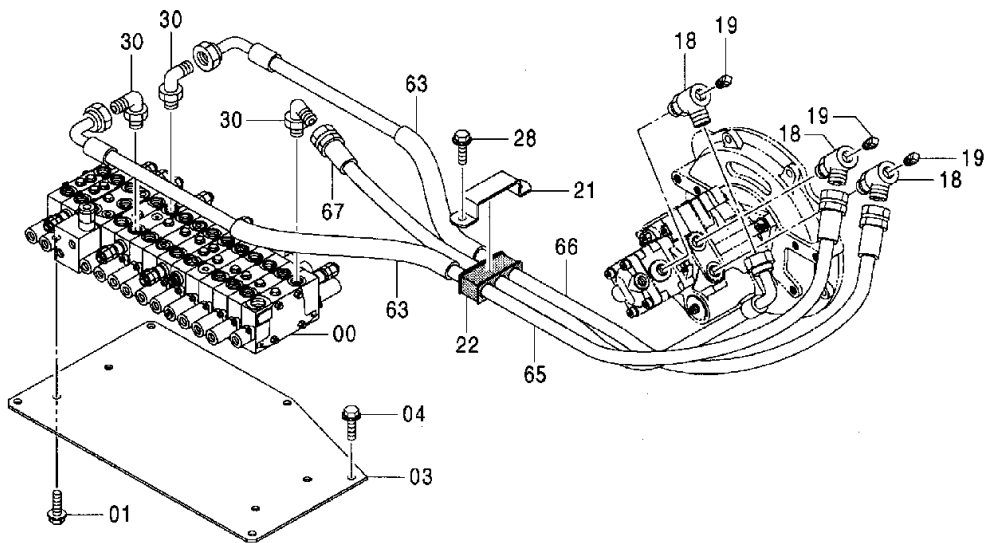
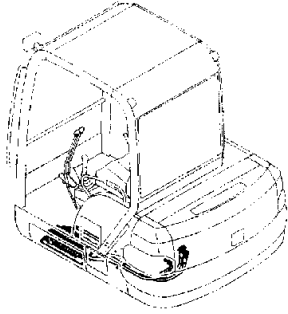
オイルクーラ配管 (3)
OIL COOLER PIPING (3)

適用号機 40:002450-
Serial No. 50:002430-



ITEM	PART NUMBER	PART NAME	QTY	SERIAL NO
00	4486559	VALVE;CONTROL	1	002001 -
01	J051020	BOLT;SEMS	4	002001 -
01	J271016	BOLT;SEMS	4	002001 -
				002001 -
03	9761550	PLATE	1	002001 -
04	J051025	BOLT;SEMS	5	002001 -
04	J271025	BOLT;SEMS	5	002001 -
				002001 -
18	4368221	TEE;S	3	002001 -
18A	4506418	O-RING	1	002001 -
19	94-2022	PLUG	3	002001 -
21	4600673	CLAMP	1	002001 -
22	4488294	BUSHING;RUBBER	1	002001 -
28	J090825	BOLT;SEMS	2	002001 -
28	J260825	BOLT;SEMS	2	002001 -
				002001 -
30	4434983	ELBOW;S	3	002001 -
30A	4506418	O-RING	1	002001 -
63	4604536	TUBE	2	002001 -
65	4604550	HOSE	1	002001 -
66	4604551	HOSE	1	002001 -
67	4604552	HOSE	1	002001 -

029

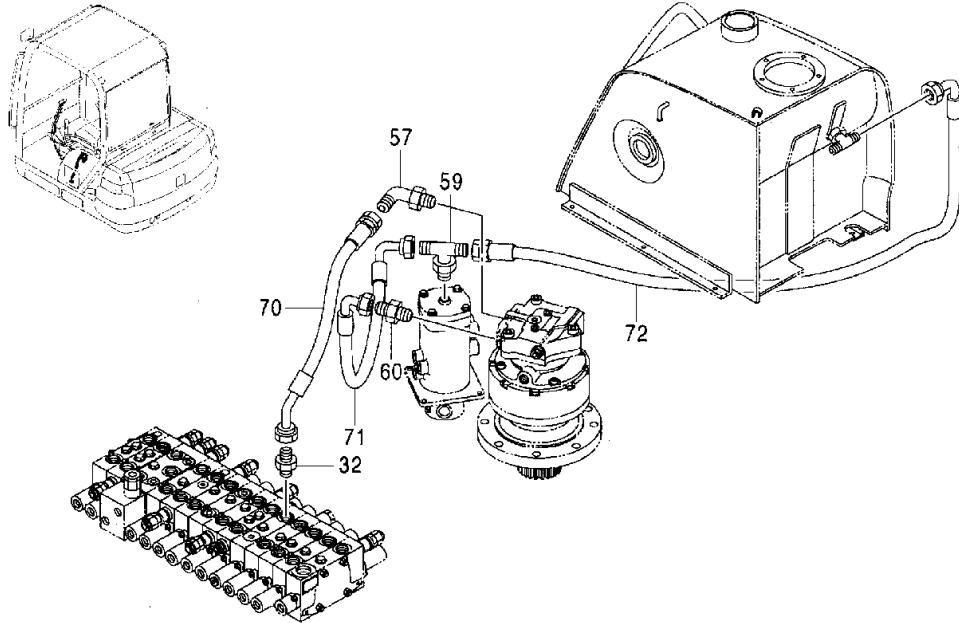
オイルクーラ配管 (4)
OIL COOLER PIPING (4)適用号機 002001-
Serial No.

ITEM	PART NUMBER	PART NAME	QTY	SERIAL NO
32	4368204	ADAPTER;S	1	002001 -
32A	4506418	O-RING	1	002001 -
57	4368215	ELBOW;S	1	002001 -
57A	4509180	O-RING	1	002001 -
59	4406059	TEE;S	1	002001 -
59A	957366	O-RING	1	002001 -
60	4042031	ADAPTER	1	002001 -
60A	4509180	O-RING	1	002001 -
70	4604555	HOSE	1	002001 -
71	4604556	HOSE	1	002001 -
72	4604557	HOSE	1	002001 -

031

オイルクーラ配管 (5)
OIL COOLER PIPING (5)

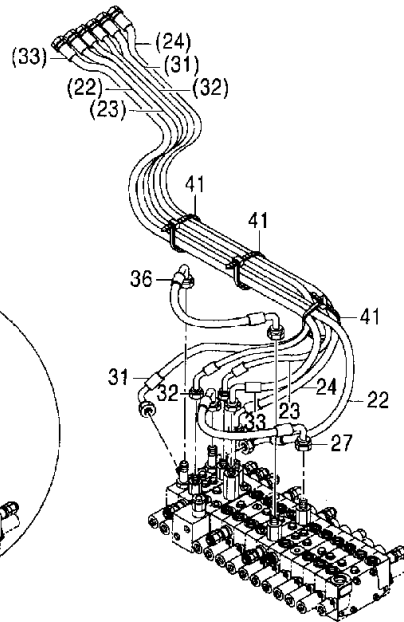
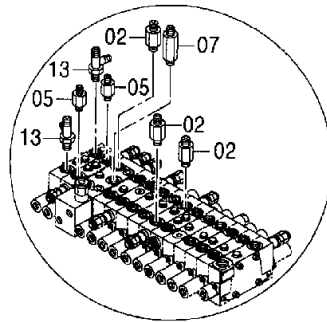
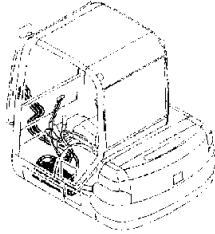
適用号機 002001-
Serial No.



ITEM	PART NUMBER	PART NAME	QTY	SERIAL NO
02	4408125	ADAPTER;S	3	002001 -
02A	4506418	O-RING	1	002001 -
05	4368207	ADAPTER;S	2	002001 -
05A	4506418	O-RING	1	002001 -
07	4426655	ADAPTER;S	1	002001 -
07A	4506418	O-RING	1	002001 -
13	4368220	TEE;S	2	002001 -
13A	4506418	O-RING	1	002001 -
22	4604558	HOSE	1	002001 -
23	4604559	HOSE	1	002001 -
24	4604560	HOSE	1	002001 -
27	4604563	HOSE	1	002001 -
31	4604567	HOSE	1	002001 -
32	4604568	HOSE	1	002001 -
33	4604569	HOSE	1	002001 -
36	4604572	HOSE	1	002001 -
41	4323613	CLIP;BAND	3	002001 -

メイン配管 (1)
MAIN PIPING (1)

適用号機 002001-
Serial No.

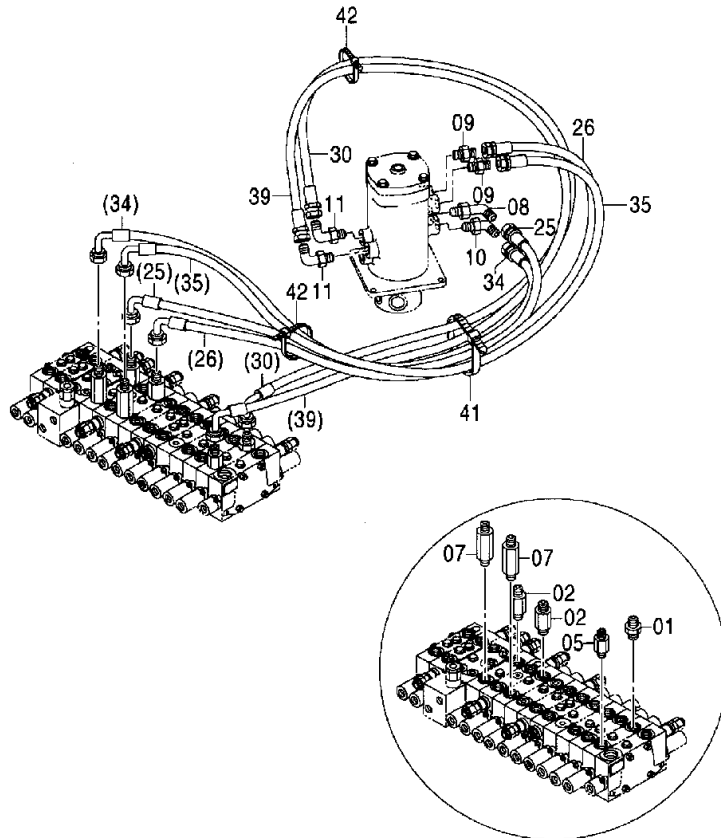
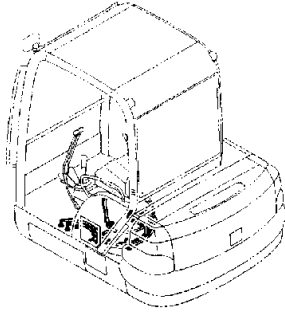


ITEM	PART NUMBER	PART NAME	QTY	SERIAL NO
01	4368204	ADAPTER;S	1	002001 -
01A	4506418	O-RING	1	002001 -
02	4408125	ADAPTER;S	2	002001 -
02A	4506418	O-RING	1	002001 -
05	4368207	ADAPTER;S	1	002001 -
05A	4506418	O-RING	1	002001 -
07	4426655	ADAPTER;S	2	002001 -
07A	4506418	O-RING	1	002001 -
08	4414503	ELBOW;S	1	002001 -
08A	4506418	O-RING	1	002001 -
09	4042032	ADAPTER	2	002001 -
09A	4506418	O-RING	1	002001 -
10	4434983	ELBOW;S	1	002001 -
10A	4506418	O-RING	1	002001 -
11	4434982	ELBOW;S	2	002001 -
11A	4509180	O-RING	1	002001 -
25	4604561	HOSE	1	002001 -
26	4604562	HOSE	1	002001 -
30	4604566	HOSE	1	002001 -
34	4604570	HOSE	1	002001 -
35	4604571	HOSE	1	002001 -
39	4604575	HOSE	1	002001 -
41	4323613	CLIP;BAND	1	002001 -
42	4055312	CLIP;BAND	2	002001 -

033

メイン配管 (2)
MAIN PIPING (2)

適用号機 002001-
Serial No.

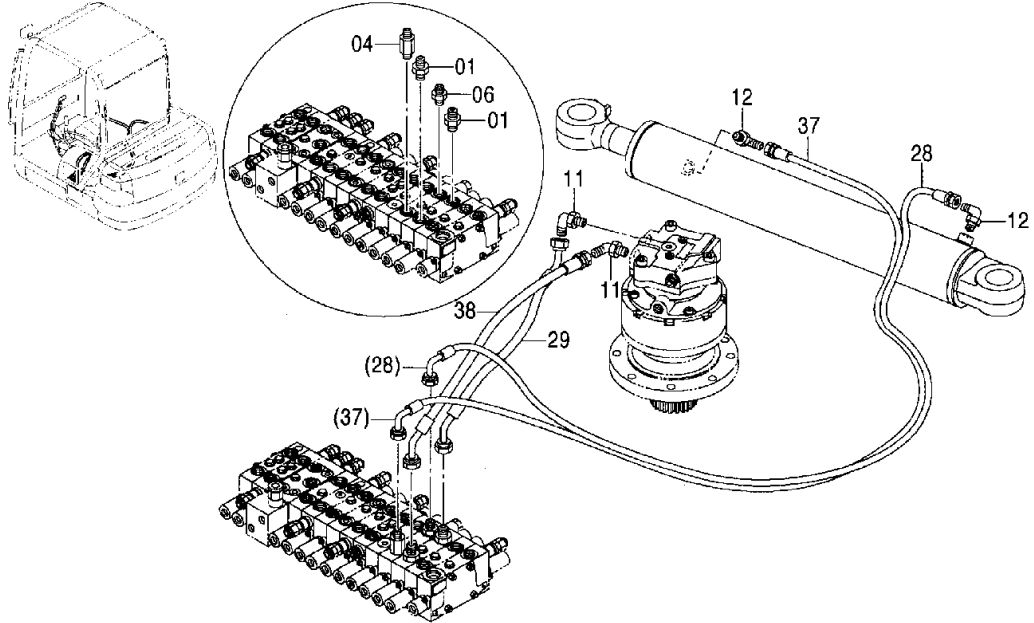


ITEM	PART NUMBER	PART NAME	QTY	SERIAL NO
01	4368204	ADAPTER;S	2	002001 -
01A	4506418	O-RING	1	002001 -
04	4368202	ADAPTER;S	1	002001 -
04A	4506418	O-RING	1	002001 -
06	4368203	ADAPTER;S	1	002001 -
06A	4506418	O-RING	1	002001 -
11	4434982	ELBOW;S	2	002001 -
11A	4509180	O-RING	1	002001 -
12	4434984	ELBOW;S	2	002001 -
12A	4509180	O-RING	1	002001 -
28	4604564	HOSE	1	002001 -
29	4604565	HOSE	1	002001 -
37	4604573	HOSE	1	002001 -
38	4604574	HOSE	1	002001 -

035

メイン配管 (3)
MAIN PIPING (3)

適用号機 002001-
Serial No.



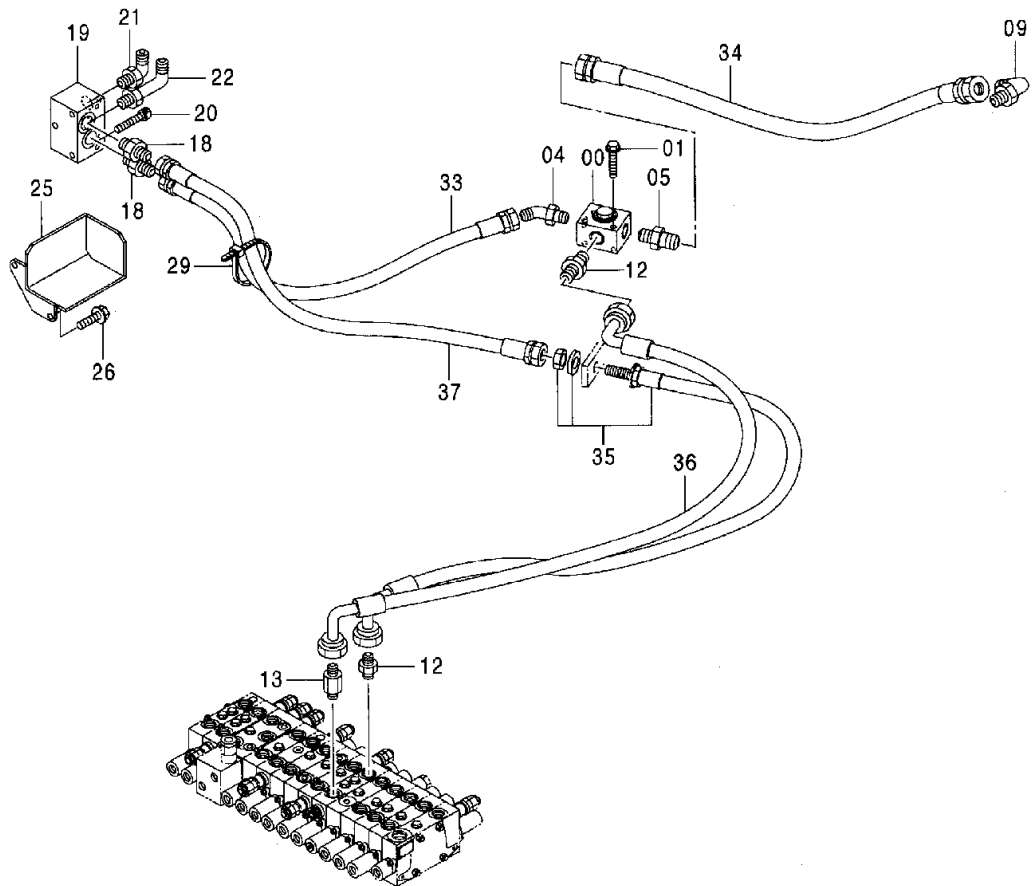
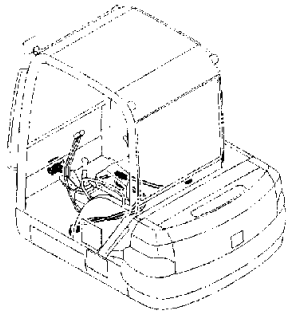
ITEM	PART NUMBER	PART NAME	QTY	SERIAL NO
00	4340948	VALVE;SELECTOR	1	002001 -
01	J090860	BOLT;SEMS	2	002001 -
01	J260860	BOLT;SEMS	2	002001 -
				002001 -
04	4081336	ELBOW;S	1	002001 -
04A	4506418	O-RING	1	002001 -
05	4368201	ADAPTER;S	1	002001 -
05A	4506418	O-RING	1	002001 -
09	4169596	ELBOW;S	1	002001 -
09A	4506429	O-RING	1	002001 -
12	4042032	ADAPTER	2	002001 -
12A	4506418	O-RING	1	002001 -
13	4408125	ADAPTER;S	1	002001 -
13A	4506418	O-RING	1	002001 -
18	4042032	ADAPTER	2	002001 -
18A	4506418	O-RING	1	002001 -
19	3070508	MANIFOLD	1	002001 -
20	J770855	BOLT;SOCKET	3	002001 -
20	J780855	BOLT;SOCKET	3	002001 -
21	4434983	ELBOW;S	1	002001 -
21A	4506418	O-RING	1	002001 -
22	4414503	ELBOW;S	1	002001 -
22A	4506418	O-RING	1	002001 -
25	8065280	COVER	1	002001 -
26	J051030	BOLT;SEMS	2	002001 -
26	J271030	BOLT;SEMS	2	002001 -
				002001 -
29	4323613	CLIP;BAND	1	002001 -
33	4604606	HOSE	1	002001 -
34	4604607	HOSE	1	002001 -
35	4604608	HOSE	1	002001 -
36	4604609	HOSE	1	002001 -
37	4604610	HOSE	1	002001 -

P1LU-1-2_037-0

037

エキストラ配管 (旋回体)
EXTRA PIPING (UPPERSTRUCTURE)

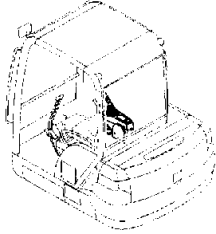
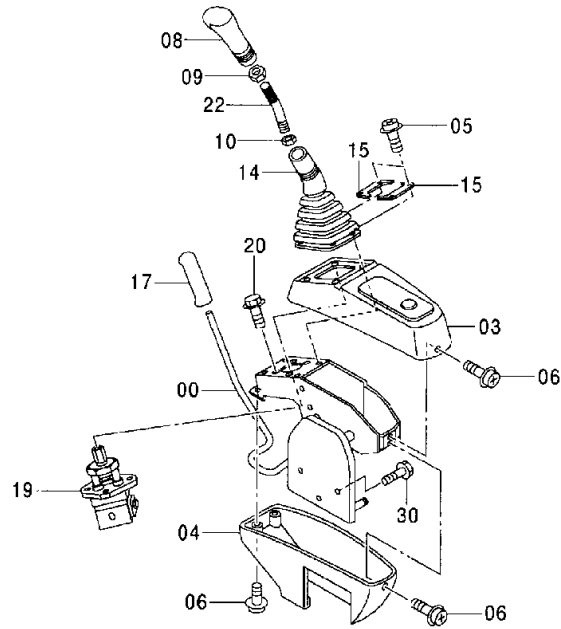
適用号機 002001-
Serial No.



ITEM	PART NUMBER	PART NAME	QTY	SERIAL NO
00	4461137	FRAME	1	002001 -
03	4489139	COVER	1	002001 -
04	4458287	COVER	1	002001 -
05	J680625	SCREW;SEMS	4	002001 -
06	J680616	SCREW;SEMS	4	002001 -
08	2045473	GRIP	1	002001 -
09	J952012	NUT	1	002001 -
10	J950014	NUT	1	002001 -
14	2045470	BOOT	1	002001 -
15	4458366	PLATE	2	002001 -
17	4377660	GRIP	1	002001 -
19	4462567	VALVE;PILOT	1	002001 -
20	J020816	BOLT;SEMS	4	002001 -
20	J260816	BOLT;SEMS	4	002001 -
				002001 -
22	4488460	LEVER	1	002001 -
30	J090820	BOLT;SEMS	3	002001 -
30	J260820	BOLT;SEMS	3	002001 -
				002001 -

P1LU-1-2_039-0

039

適用号機 002001-
Serial No.コンソール (右) [キャビ]
CONSOLE (R) [CANOPY]

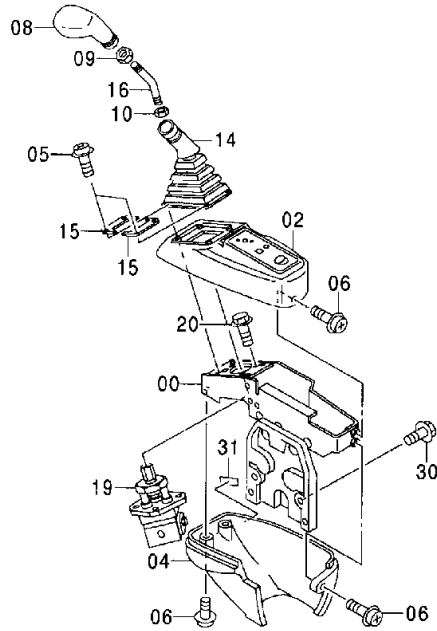
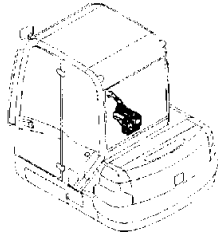
ITEM	PART NUMBER	PART NAME	QTY	SERIAL NO
00	4458285	FRAME	1	002001 -
02	4458286	COVER	1	002001 -
04	4458287	COVER	1	002001 -
05	J680625	SCREW;SEMS	4	002001 -
06	J680616	SCREW;SEMS	4	002001 -
08	2045473	GRIP	1	002001 -
09	J952012	NUT	1	002001 -
10	J950014	NUT	1	002001 -
14	2045470	BOOT	1	002001 -
15	4458366	PLATE	2	002001 -
16	4488460	LEVER	1	002001 -
19	4462567	VALVE;PILOT	1	002001 -
20	J020816	BOLT;SEMS	4	002001 -
20	J260816	BOLT;SEMS	4	002001 -
				002001 -
30	J090820	BOLT;SEMS	3	002001 -
30	J260820	BOLT;SEMS	3	002001 -
				002001 -
31	4483211	RUBBER	1	002001 -

P1LU-1-2_040-0

040

コンソール (右) [キャブ]
CONSOLE (R) [CAB]

適用号機 002001-
Serial No.

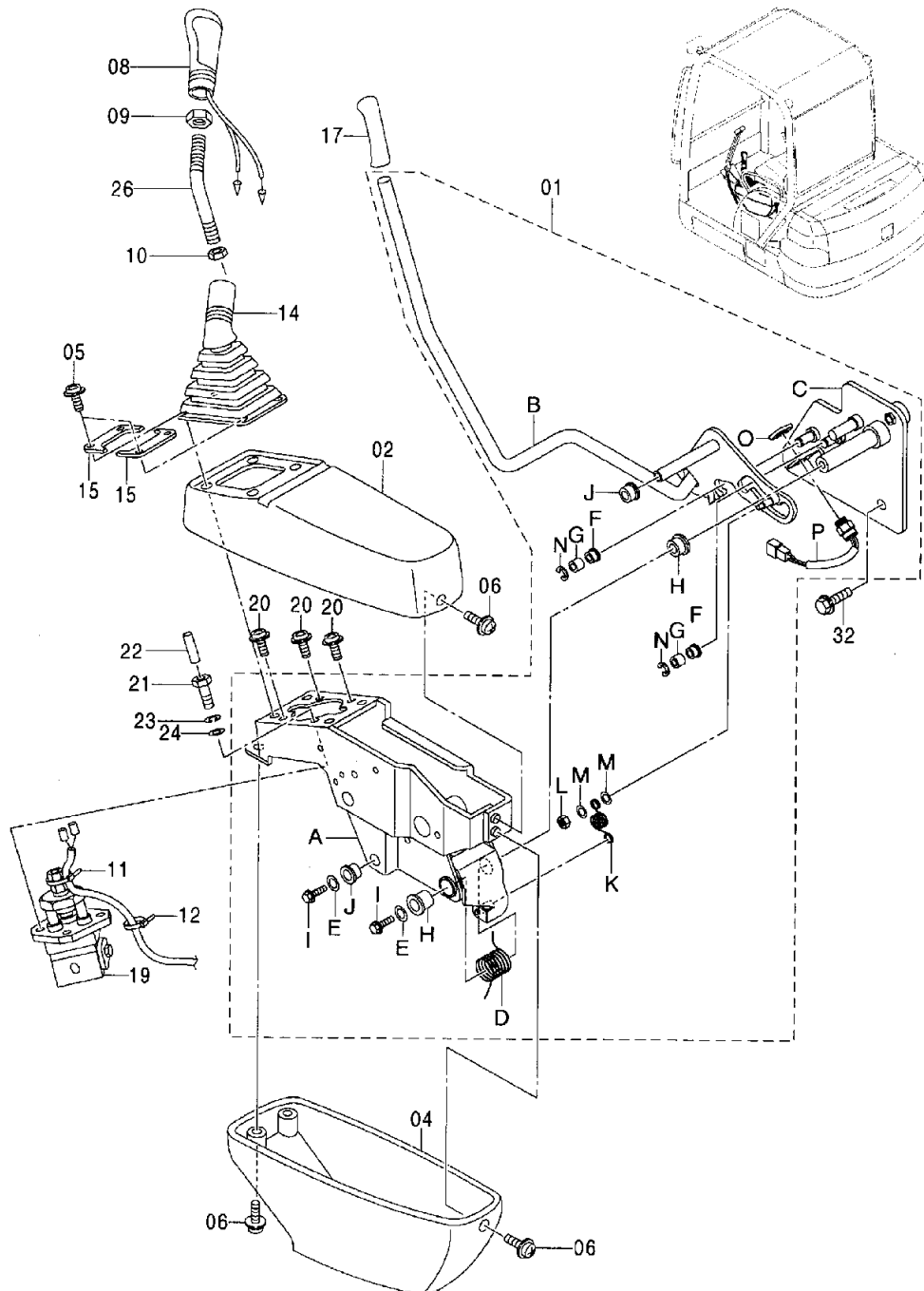


ITEM	PART NUMBER	PART NAME	QTY	SERIAL NO
01	4610618	FRAME ASS'Y	1	002001 -
01A	4601475	FRAME	1	002001 -
01B	4601476	LEVER	1	002001 -
01C	4610716	FRAME;BASE	1	002001 -
01D	4601477	SPRING	1	002001 -
01E	4435368	WASHER	2	002001 -
01F	4435377	BUSHING	2	002001 -
01G	4393842	BUSHING	2	002001 -
01H	4482926	BUSHING	2	002001 -
01I	4372337	BOLT	2	002001 -
01J	4479635	BUSHING;PIN	2	002001 -
01K	4479636	SPRING	1	002001 -
01L	4372328	NUT	1	002001 -
01M	4383006	WASHER	2	002001 -
01N	4435378	RING;RETAINING	2	002001 -
01O	4601905	NUT	1	002001 -
01P	4392059	SWITCH	1	002001 -
02	4458283	COVER	1	002001 -
04	4458284	COVER	1	002001 -
05	J680625	SCREW;SEMS	4	002001 -
06	J680616	SCREW;SEMS	4	002001 -
08	2045472	GRIP	1	002001 -
09	J952012	NUT	1	002001 -
10	J950014	NUT	1	002001 -
11	4055312	CLIP;BAND	1	002001 -
12	4326365	CLIP;BAND	1	002001 -
14	2045470	BOOT	1	002001 -
15	4458366	PLATE	2	002001 -
17	4377660	GRIP	1	002001 -
19	4462567	VALVE;PILOT	1	002001 -
20	J020816	BOLT;SEMS	3	002001 -
20	J260816	BOLT;SEMS	3	002001 -
				002001 -
21	4438279	BOLT	1	002001 -
22	4144011	PIN;SPRING	1	002001 -
23	A590908	WASHER;SPRING	1	002001 -
24	A590108	WASHER;PLANE	1	002001 -
26	4488460	LEVER	1	002001 -
32	J090835	BOLT;SEMS	3	002001 -
32	J260835	BOLT;SEMS	3	002001 -
				002001 -

041A

コンソール (左)
CONSOLE (L)

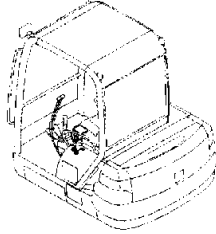
適用号機 002001-
Serial No.



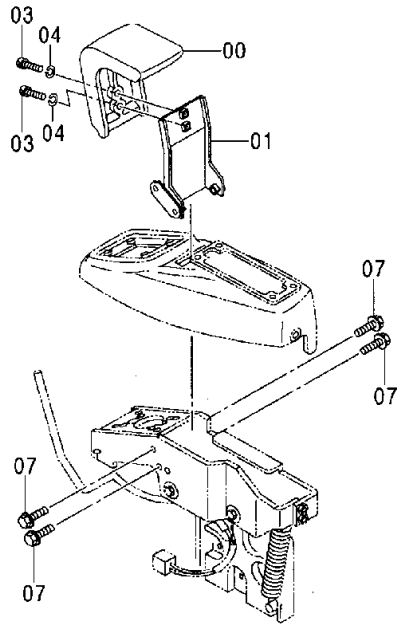
ITEM	PART NUMBER	PART NAME	QTY	SERIAL NO
00	2048027	REST	2	002001 -
01	8086911	BRACKET	2	002001 -
03	J770820	BOLT;SOCKET	4	002001 -
03	J780820	BOLT;SOCKET	4	002001 -
04	J252108	WASHER;SPRING	4	002001 -
04	A590908	WASHER;SPRING	4	002001 -
07	J090616	BOLT;SEMS	8	002001 -
07	J260614	BOLT;SEMS	8	002001 -
				002001 -

043

通用号機 002001-
Serial No.



リストレスト
WRIST REST



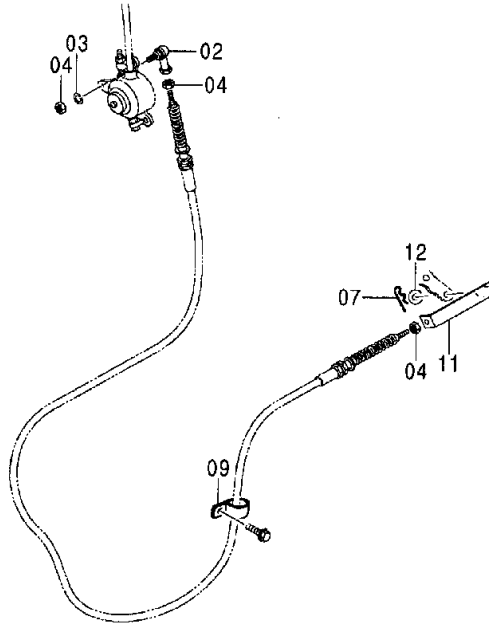
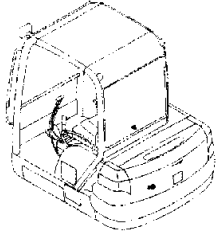
ITEM	PART NUMBER	PART NAME	QTY	SERIAL NO
02	4056016	JOINT;BALL	1	002001 -
03	J252105	WASHER;SPRING	1	002001 -
03	A590905	WASHER;SPRING	1	002001 -
04	J231105	NUT	3	002001 -
04	M500504	NUT	3	002001 -
07	A762020	PIN;SPLIT	1	002001 -
09	4190263	CLIP	1	002001 -
11	9754100	BRACKET	1	002001 -
12	J253106	WASHER;PLANE	1	002001 -
12	A590106	WASHER;PLANE	1	002001 -

P1LU-1-2_044-0

044

エンジンコントロール (1)
ENGINE CONTROL (1)

適用号機 002001-
Serial No.

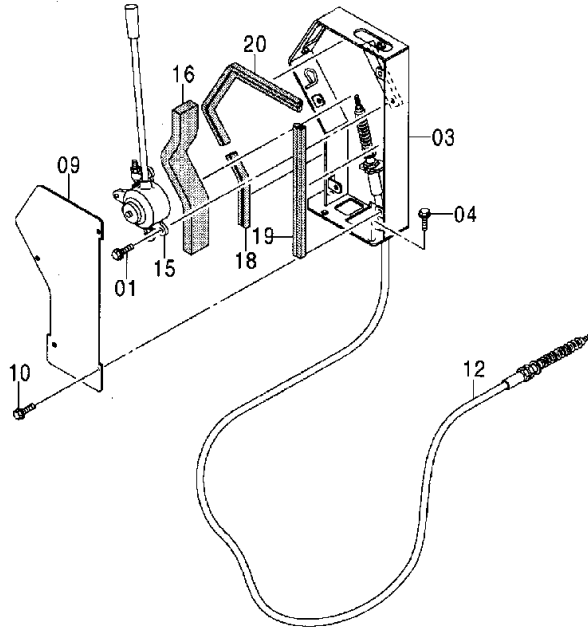
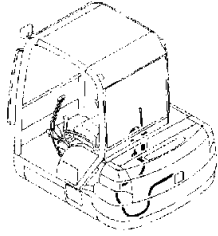


ITEM	PART NUMBER	PART NAME	QTY	SERIAL NO
01	J080825	BOLT;SEMS	2	002001 -
01	J260825	BOLT;SEMS	2	002001 -
				002001 -
03	7043915	BRACKET	1	002001 -
04	J051025	BOLT;SEMS	3	002001 -
04	J271025	BOLT;SEMS	3	002001 -
				002001 -
09	4488209	PLATE	1	002001 -
10	J090820	BOLT;SEMS	4	002001 -
10	J260820	BOLT;SEMS	4	002001 -
				002001 -
12	4418116	CABLE;CONTROL	1	002001 -
15	4606431	LEVER	1	002001 -
16	4605062	RUBBER	1	002001 -
18	4605323	SEAL;RUBBER	1	002001 -
19	4605324	SEAL;RUBBER	1	002001 -
20	4605325	SEAL;RUBBER	1	002001 -

045

エンジンコントロール (2)
ENGINE CONTROL (2)

適用号機 002001-
Serial No.



32

CONTROL LEVER (TRAVEL):1 S/N

P1LU-1-2

32

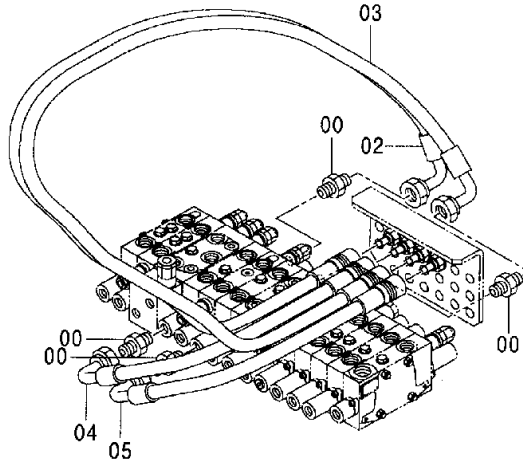
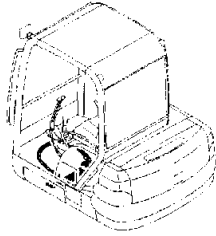
ITEM	PART NUMBER	PART NAME	QTY	SERIAL NO
00	4042030	ADAPTER;S	4	002001 -
00A	957366	O-RING	1	002001 -
02	4604588	HOSE	1	002001 -
03	4604589	HOSE	1	002001 -
04	4604590	HOSE	1	002001 -
05	4604591	HOSE	1	002001 -

P1LU-1-2_046-0

046

操作レバー（走行）：1
CONTROL LEVER (TRAVEL):1

通用号機 002001-
Serial No.



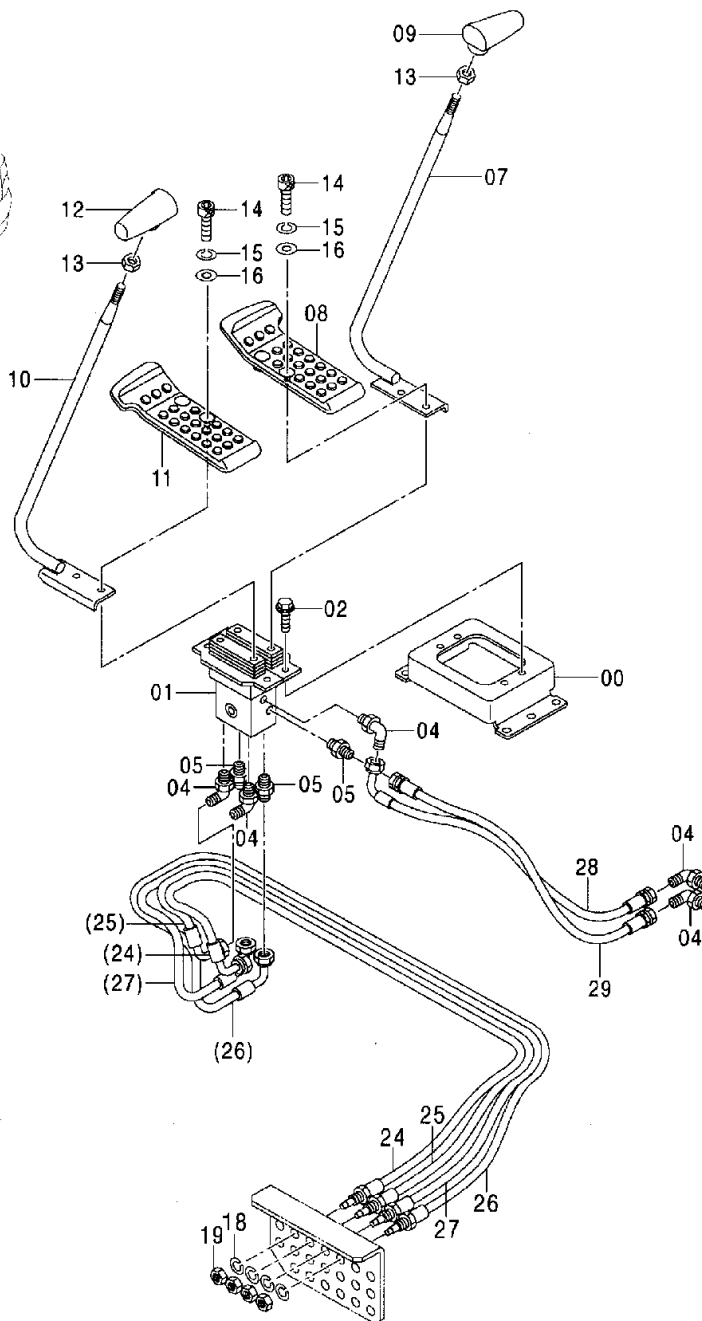
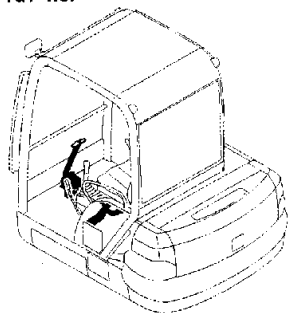
ITEM	PART NUMBER	PART NAME	QTY	SERIAL NO
00	8088514	BRACKET	1	002001 -
01	4467243	VALVE;PILOT	1	002001 -
02	J090825	BOLT;SEMS	8	002001 -
02	J260825	BOLT;SEMS	8	002001 -
				002001 -
04	4434981	ELBOW;S	5	002001 -
04A	957366	O-RING	1	002001 -
05	4042030	ADAPTER	3	002001 -
05A	957366	O-RING	1	002001 -
07	8091104	LEVER	1	002001 -
08	1030519	PEDAL;	1	002001 -
09	2045468	GRIP	1	002001 -
				002001 -
09	2051176	GRIP	1	002001 -
				002001 -
10	8091105	LEVER	1	002001 -
11	1030516	PEDAL;	1	002001 -
12	2045469	GRIP	1	002001 -
				002001 -
12	2051177	GRIP	1	002001 -
				002001 -
13	4424185	NUT	2	002001 -
14	J770820	BOLT;SOCKET	4	002001 -
14	J780820	BOLT;SOCKET	4	002001 -
15	J252108	WASHER;SPRING	4	002001 -
15	A590908	WASHER;SPRING	4	002001 -
16	J253108	WASHER;PLANE	4	002001 -
16	A590108	WASHER;PLANE	4	002001 -
18	J252212	WASHER;SPRING	4	002001 -
18	A590912	WASHER;SPRING	4	002001 -
19	J231212	NUT	4	002001 -
19	J950012	NUT	4	002001 -
24	4602899	HOSE	1	002001 -
25	4602900	HOSE	1	002001 -
26	4602901	HOSE	1	002001 -
27	4602902	HOSE	1	002001 -
28	4602903	HOSE	1	002001 -
29	4602904	HOSE	1	002001 -

P1LU-1-2_047-0

047

操作レバー (走行) : 2
CONTROL LEVER (TRAVEL) : 2

通用号機 002001-
Serial No.



34

CONTROL LEVER (BLADE):1 S/N

P1LU-1-2

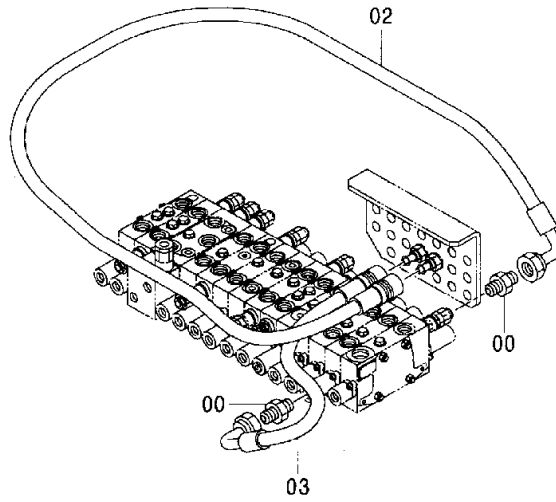
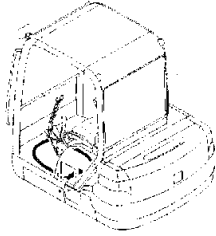
34

ITEM	PART NUMBER	PART NAME	QTY	SERIAL NO
00	4042030	ADAPTER;S	2	002001 -
00A	957366	O-RING	1	002001 -
02	4604592	HOSE	1	002001 -
03	4604593	HOSE	1	002001 -

049

操作レバー (ブレード) : 1
CONTROL LEVER (BLADE) : 1

通用号機 002001-
Serial No.

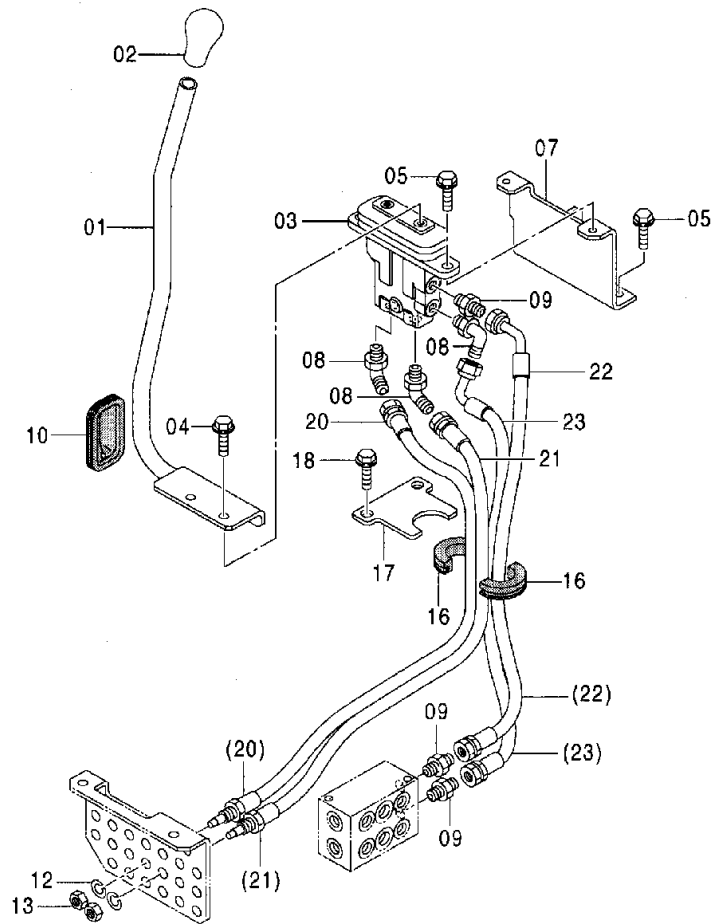
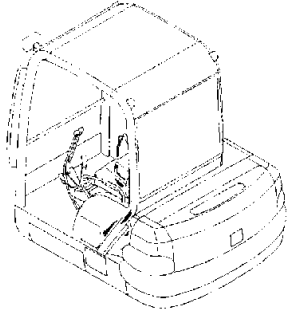


ITEM	PART NUMBER	PART NAME	QTY	SERIAL NO
01	8090969	LEVER	1	002001 -
02	4399121	GRIP	1	002001 -
03	4600430	VALVE;PILOT	1	002001 -
04	J090816	BOLT;SEMS	2	002001 -
04	J260816	BOLT;SEMS	2	002001 -
05	J090820	BOLT;SEMS	4	002001 -
05	J260820	BOLT;SEMS	4	002001 -
07	9760200	BRACKET	1	002001 -
08	4434981	ELBOW;S	3	002001 -
08A	957366	O-RING	1	002001 -
09	4042030	ADAPTER	3	002001 -
09A	957366	O-RING	1	002001 -
10	4476869	BUSHING;RUBBER	1	002001 -
12	J252212	WASHER;SPRING	2	002001 -
12	A590912	WASHER;SPRING	2	002001 -
13	J231212	NUT	2	002001 -
13	J950012	NUT	2	002001 -
16	4365886	BUSHING;RUBBER	2	002001 -
17	4488501	PLATE	1	002001 -
18	J090825	BOLT;SEMS	2	002001 -
18	J260825	BOLT;SEMS	2	002001 -
20	4602907	HOSE	1	002001 -
21	4602908	HOSE	1	002001 -
22	4602909	HOSE	1	002001 -
23	4602910	HOSE	1	002001 -

051

操作レバー (ブレード) : 2
CONTROL LEVER (BLADE) : 2

適用号機 002001-
Serial No.



36

CONTROL PEDAL (BOOM SWING):1

P1LU-1-2

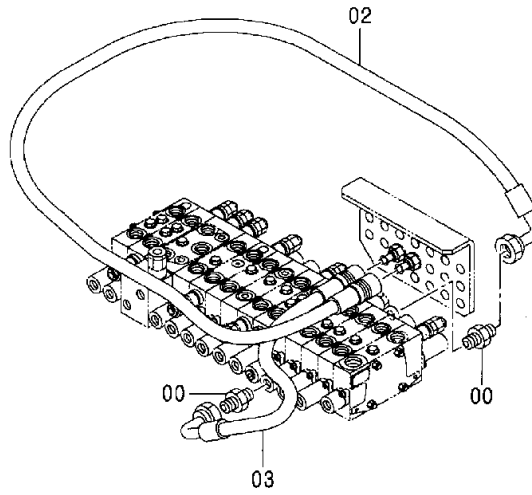
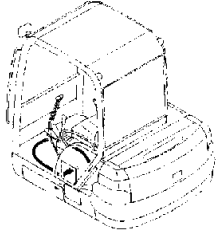
36

ITEM	PART NUMBER	PART NAME	QTY	SERIAL NO
00	4042030	ADAPTER;S	2	002001 -
00A	957366	O-RING	1	002001 -
02	4604594	HOSE	1	002001 -
03	4604595	HOSE	1	002001 -

053

操作ペダル (ブームスイング) : 1
CONTROL PEDAL (BOOM SWING) : 1

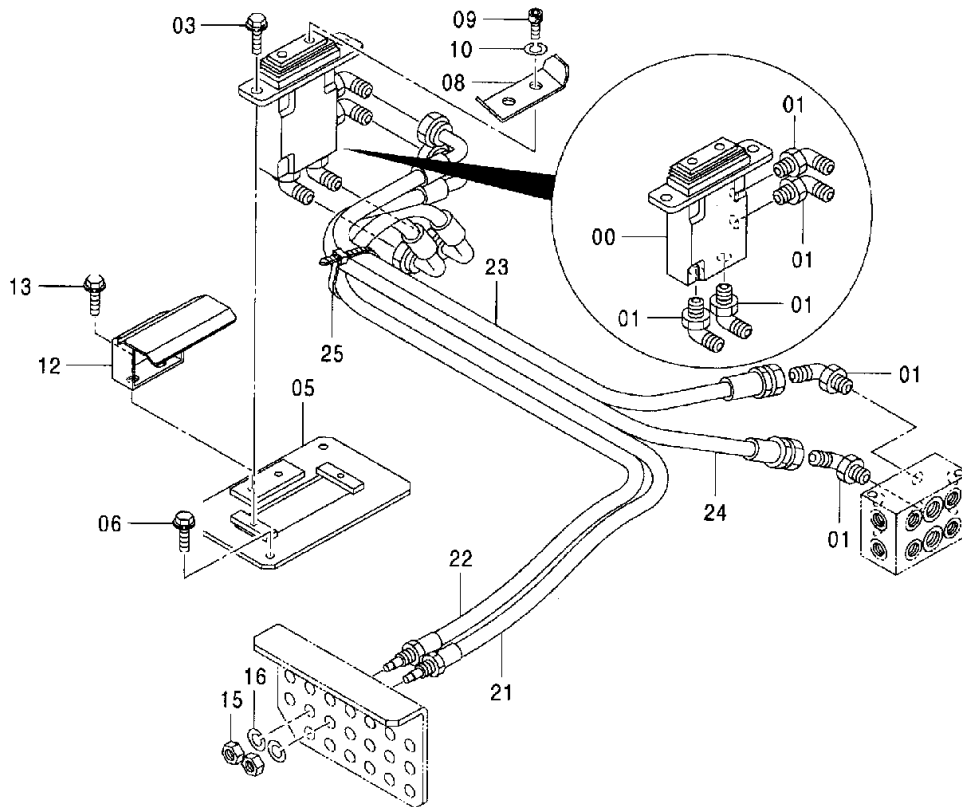
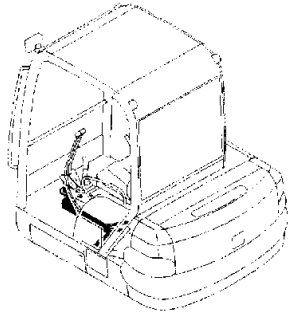
適用号機 002001-
Serial No.



ITEM	PART NUMBER	PART NAME	QTY	SERIAL NO
00	4467245	VALVE;PILOT	1	002001 -
01	4434981	ELBOW;S	6	002001 -
01A	957366	O-RING	1	002001 -
03	J090820	BOLT;SEMS	2	002001 -
03	J260820	BOLT;SEMS	2	002001 -
				002001 -
05	8091103	PLATE	1	002001 -
06	J090825	BOLT;SEMS	2	002001 -
06	J260825	BOLT;SEMS	2	002001 -
				002001 -
08	9758030	PEDAL	1	002001 -
09	J770816	BOLT;SOCKET	2	002001 -
09	J780816	BOLT;SOCKET	2	002001 -
10	J252108	WASHER;SPRING	2	002001 -
10	A590908	WASHER;SPRING	2	002001 -
12	8086697	COVER	1	002001 -
13	J090820	BOLT;SEMS	2	002001 -
13	J260820	BOLT;SEMS	2	002001 -
				002001 -
15	J231212	NUT	2	002001 -
15	J950012	NUT	2	002001 -
16	J252212	WASHER;SPRING	2	002001 -
16	A590912	WASHER;SPRING	2	002001 -
21	4602913	HOSE	1	002001 -
22	4602914	HOSE	1	002001 -
23	4602915	HOSE	1	002001 -
24	4602916	HOSE	1	002001 -
25	4055312	CLIP;BAND	1	002001 -

P1LU-1-2_055-0

055

操作ペダル (ブームスイング) : 2
CONTROL PEDAL (BOOM SWING) : 2適用号機 002001-
Serial No.

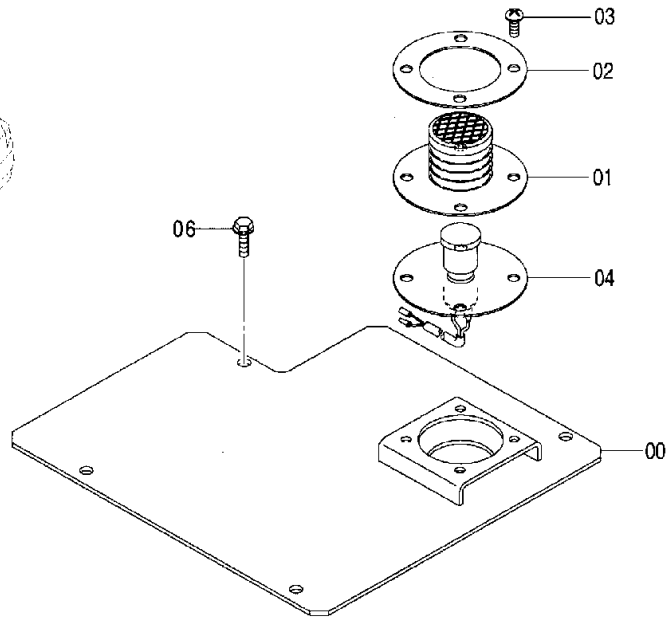
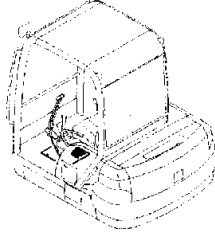
38**CONTROL PEDAL (TRAVEL SPEED)****P1LU-1-2****38**

ITEM	PART NUMBER	PART NAME	QTY	SERIAL NO
00	9760277	PLATE	1	002001 -
01	3070386	BOOT	1	002001 -
02	4340284	WASHER	1	002001 -
03	J650820	SCREW	4	002001 -
04	4414808	SWITCH	1	002001 -
06	J090820	BOLT;SEMS	4	002001 -
06	J260820	BOLT;SEMS	4	002001 -
				002001 -

057

操作ペダル (走行2速切換)
CONTROL PEDAL (TRAVEL SPEED)

適用号機 002001-
Serial No.



39

EXTRA PEDAL (1) S/N 002001 -

P1LU-1-2

39

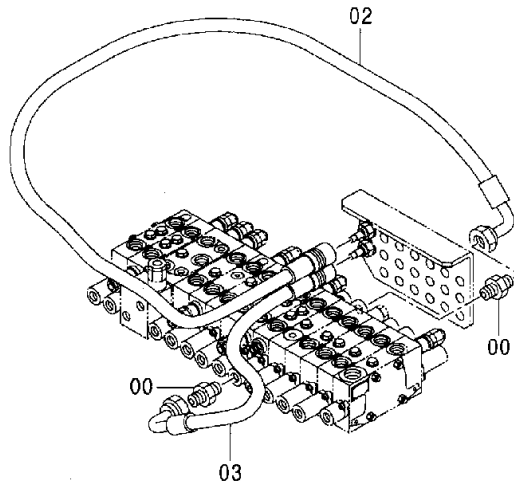
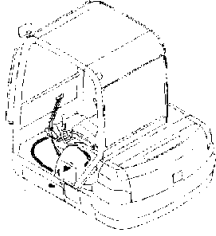
ITEM	PART NUMBER	PART NAME	QTY	SERIAL NO
00	4042030	ADAPTER;S	2	002001 -
00A	957366	O-RING	1	002001 -
02	4604596	HOSE	1	002001 -
03	4604597	HOSE	1	002001 -

P1LU-1-2_058-0

058

予備ペダル (1)
EXTRA PEDAL (1)

適用号機 002001-
Serial No.

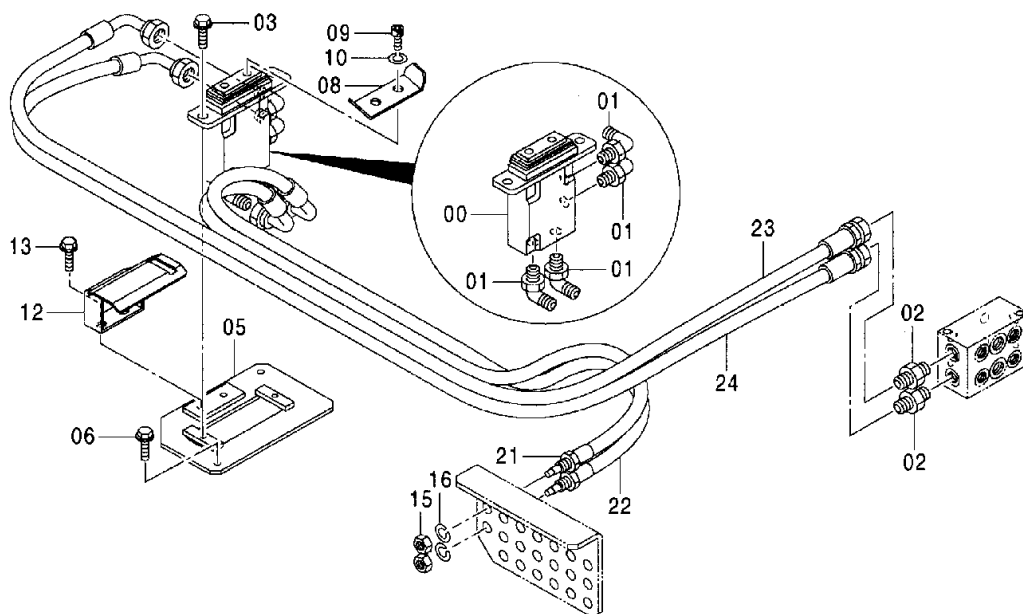
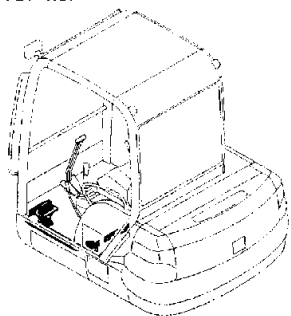


ITEM	PART NUMBER	PART NAME	QTY	SERIAL NO
00	4467245	VALVE;PILOT	1	002001 -
01	4434981	ELBOW;S	4	002001 -
01A	957366	O-RING	1	002001 -
02	4042030	ADAPTER	2	002001 -
02A	957366	O-RING	1	002001 -
03	J090820	BOLT;SEMS	2	002001 -
03	J260820	BOLT;SEMS	2	002001 -
				002001 -
05	8091103	PLATE	1	002001 -
06	J090825	BOLT;SEMS	2	002001 -
06	J260825	BOLT;SEMS	2	002001 -
				002001 -
08	9758030	PEDAL	1	002001 -
09	J770816	BOLT;SOCKET	2	002001 -
09	J780816	BOLT;SOCKET	2	002001 -
10	J252108	WASHER;SPRING	2	002001 -
10	A590908	WASHER;SPRING	2	002001 -
12	8086698	COVER	1	002001 -
13	J090820	BOLT;SEMS	2	002001 -
13	J260820	BOLT;SEMS	2	002001 -
				002001 -
15	J231212	NUT	2	002001 -
15	J950012	NUT	2	002001 -
16	J252212	WASHER;SPRING	2	002001 -
16	A590912	WASHER;SPRING	2	002001 -
21	4602919	HOSE	1	002001 -
22	4602920	HOSE	1	002001 -
23	4602921	HOSE	1	002001 -
24	4602922	HOSE	1	002001 -

059

予備ペダル (2)
EXTRA PEDAL (2)

適用号機 002001-
Serial No.

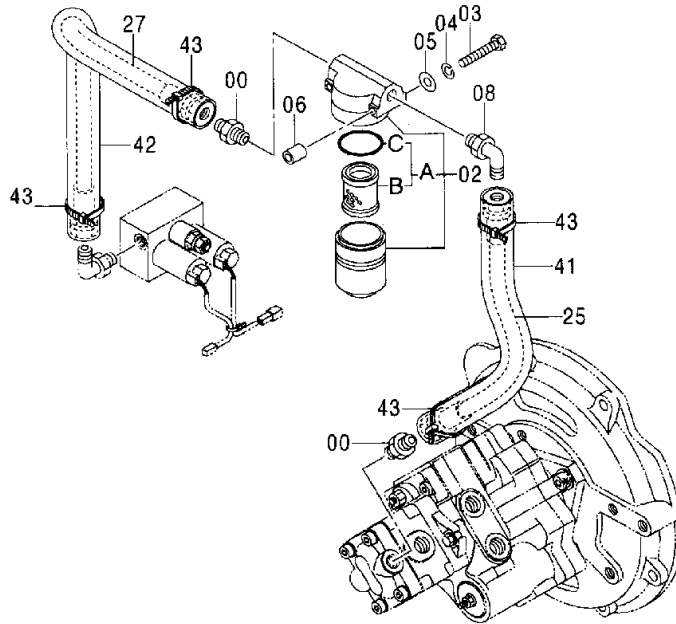
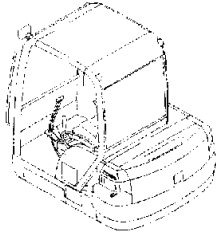


ITEM	PART NUMBER	PART NAME	QTY	SERIAL NO
00	4042031	ADAPTER;S	2	002001 -
00A	4509180	O-RING	1	002001 -
02	4457683	FILTER;OIL	1	002001 -
02A	4294130	ELEMENT;FILTER	1	002001 -
02B	4294129	ELEMENT;FILTER	1	002001 -
02C	4294161	O-RING	1	002001 -
03	J960675	BOLT	2	002001 -
03	J900675	BOLT	2	002001 -
04	J252106	WASHER;SPRING	2	002001 -
04	A590906	WASHER;SPRING	2	002001 -
05	J253106	WASHER;PLANE	2	002001 -
05	A590106	WASHER;PLANE	2	002001 -
06	4277425	SPACER	2	002001 -
08	4434982	ELBOW;S	1	002001 -
08A	4509180	O-RING	1	002001 -
25	4602871	HOSE	1	002001 -
27	4602872	HOSE	1	002001 -
41	4605057	PROTECTOR;HOSE	1	002001 -
42	4489554	PROTECTOR;HOSE	1	002001 -
43	4326365	CLIP;BAND	4	002001 -

061

パイロット配管 (1-1)
PILOT PIPING (1-1)

適用号機 002001-
Serial No.



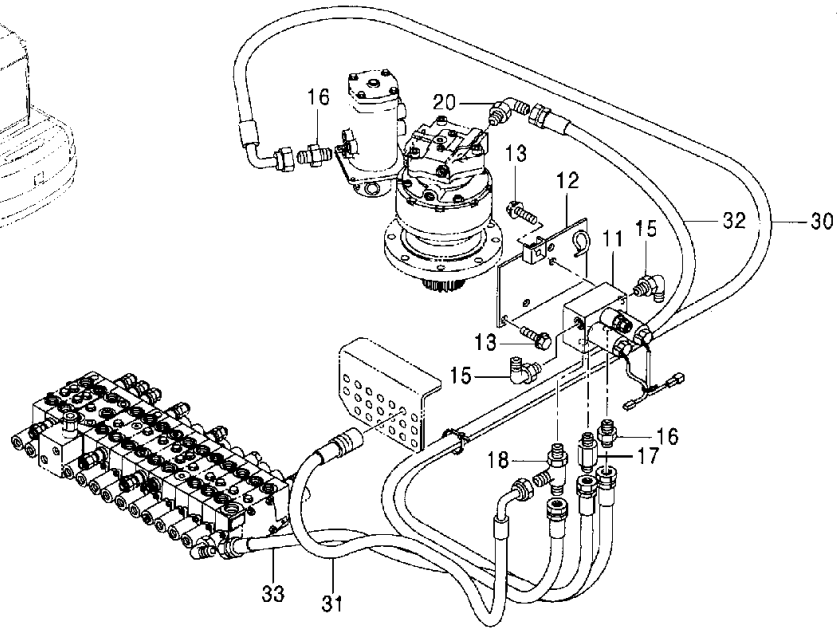
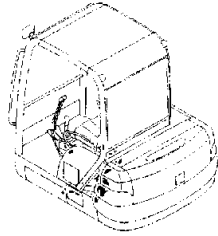
ITEM	PART NUMBER	PART NAME	QTY	SERIAL NO
11	4415398	VALVE;SOLENOID	1	002001 -
12	9760346	PLATE	1	002001 -
13	J051025	BOLT;SEMS	4	002001 -
13	J271025	BOLT;SEMS	4	002001 -
15	4434982	ELBOW;S	2	002001 -
15A	4509180	O-RING	1	002001 -
16	4042030	ADAPTER	2	002001 -
16A	957366	O-RING	1	002001 -
17	4368208	ADAPTER;S	1	002001 -
17A	957366	O-RING	1	002001 -
18	4406156	TEE;S	1	002001 -
18A	957366	O-RING	1	002001 -
20	4434981	ELBOW;S	1	002001 -
20A	957366	O-RING	1	002001 -
30	4604579	HOSE	1	002001 -
31	4604580	HOSE	1	002001 -
32	4602877	HOSE	1	002001 -
33	4604581	HOSE	1	002001 -

P1LU-1-2_062-0

062

パイロット配管 (1-2)
PILOT PIPING (1-2)

適用号機 002001-
Serial No.

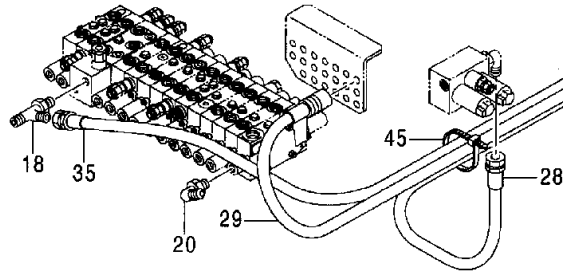
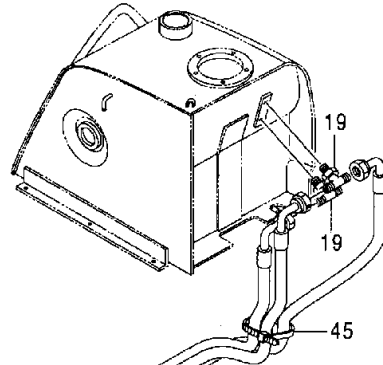
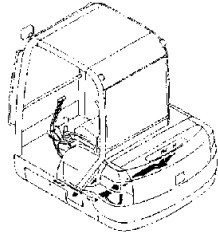


ITEM	PART NUMBER	PART NAME	QTY	SERIAL NO
18	4406156	TEE;S	1	002001 -
18A	957366	O-RING	1	002001 -
19	4489075	TEE;S	2	002001 -
19A	4506418	O-RING	1	002001 -
20	4434981	ELBOW;S	1	002001 -
20A	957366	O-RING	1	002001 -
28	4604577	HOSE	1	002001 -
29	4604578	HOSE	1	002001 -
35	4604583	HOSE	1	002001 -
45	4055312	CLIP;BAND	2	002001 -

063

パイロット配管 (1-3)
PILOT PIPING (1-3)

適用号機 002001-
Serial No.



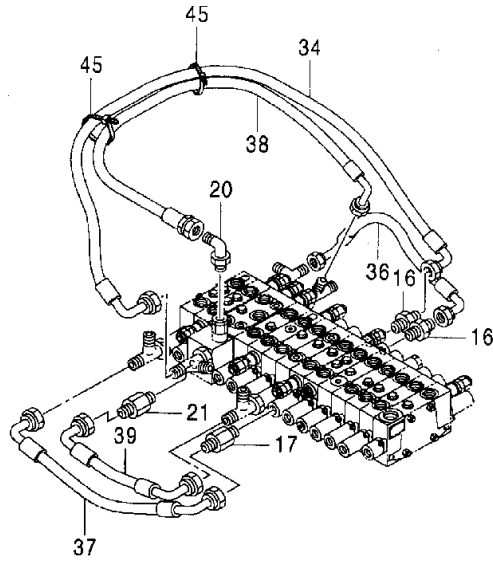
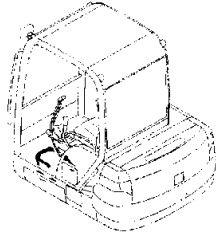
ITEM	PART NUMBER	PART NAME	QTY	SERIAL NO
16	4042030	ADAPTER	2	002001 -
16A	957366	O-RING	1	002001 -
17	4368208	ADAPTER;S	1	002001 -
17A	957366	O-RING	1	002001 -
20	4434981	ELBOW;S	1	002001 -
20A	957366	O-RING	1	002001 -
21	4608482	ADAPTER;S	1	002001 -
21A	957366	O-RING	1	002001 -
34	4604582	HOSE	1	002001 -
36	4604584	HOSE	1	002001 -
37	4604585	HOSE	1	002001 -
38	4604586	HOSE	1	002001 -
39	4604587	HOSE	1	002001 -
45	4055312	CLIP;BAND	2	002001 -

P1LU-1-2_064-0

064

パイロット配管 (1-4)
PILOT PIPING (1-4)

通用号機 002001-
Serial No.

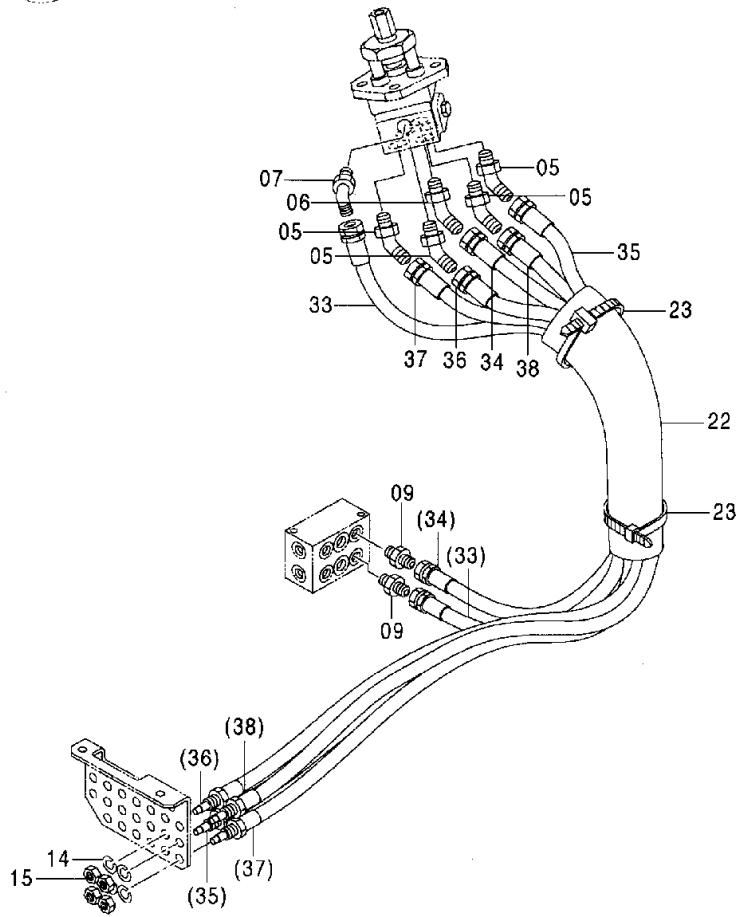
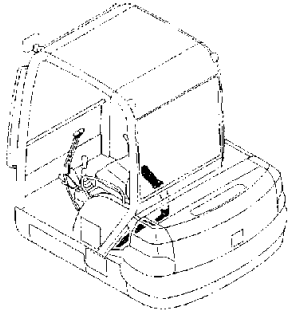


ITEM	PART NUMBER	PART NAME	QTY	SERIAL NO
05	4108100	ELBOW;S	4	002001 -
05A	957366	O-RING	1	002001 -
06	4423863	ELBOW;S	1	002001 -
06A	957366	O-RING	1	002001 -
07	4434981	ELBOW;S	1	002001 -
07A	957366	O-RING	1	002001 -
09	4042030	ADAPTER	2	002001 -
09A	957366	O-RING	1	002001 -
14	J252212	WASHER;SPRING	4	002001 -
14	A590912	WASHER;SPRING	4	002001 -
15	J231212	NUT	4	002001 -
15	J950012	NUT	4	002001 -
22	4475439	PROTECTOR	1	002001 -
23	4055312	CLIP;BAND	2	002001 -
				002001 -
23	4055311	CLIP;BAND	2	002001 -
				002001 -
33	4602881	HOSE	1	002001 -
34	4602882	HOSE	1	002001 -
35	4602883	HOSE	1	002001 -
36	4602884	HOSE	1	002001 -
37	4602885	HOSE	1	002001 -
38	4602886	HOSE	1	002001 -

065

パイロット配管 (2-1)
PILOT PIPING (2-1)

通用号機 002001-
Serial No.



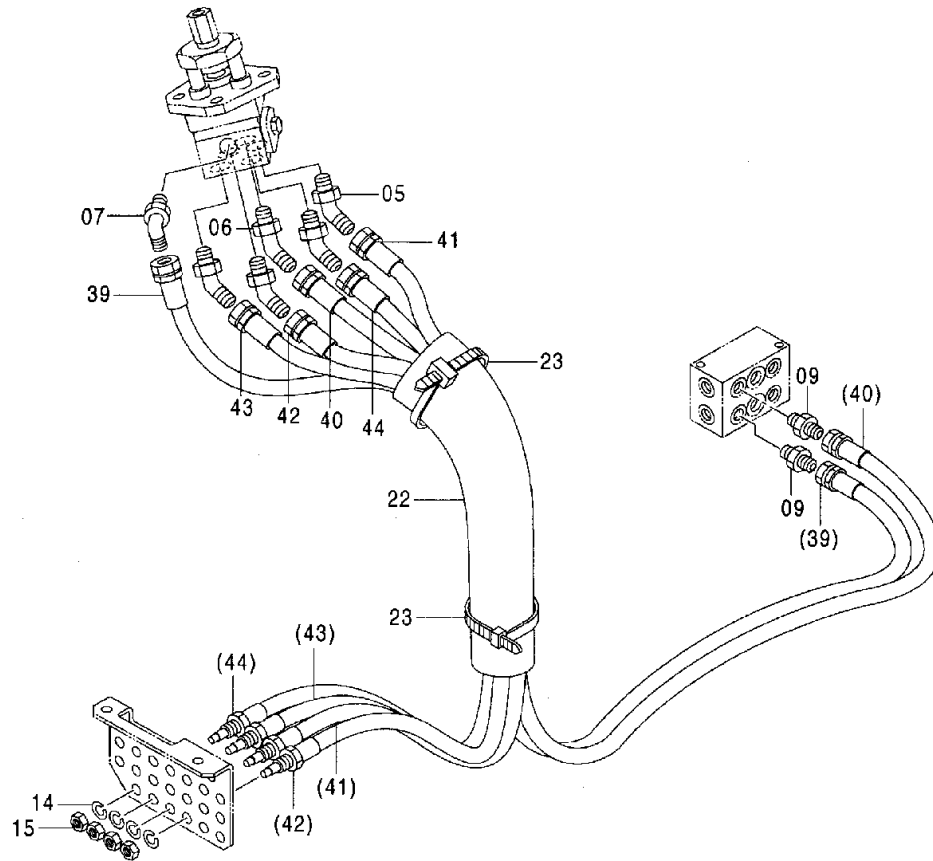
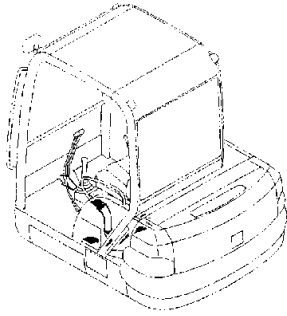
ITEM	PART NUMBER	PART NAME	QTY	SERIAL NO
05	4108100	ELBOW;S	4	002001 -
05A	957366	O-RING	1	002001 -
06	4423863	ELBOW;S	1	002001 -
06A	957366	O-RING	1	002001 -
07	4434981	ELBOW;S	1	002001 -
07A	957366	O-RING	1	002001 -
09	4042030	ADAPTER	2	002001 -
09A	957366	O-RING	1	002001 -
14	J252212	WASHER;SPRING	4	002001 -
14	A590912	WASHER;SPRING	4	002001 -
15	J231212	NUT	4	002001 -
15	J950012	NUT	4	002001 -
22	4475439	PROTECTOR	1	002001 -
23	4055312	CLIP;BAND	2	002001 -
				002001 -
23	4055311	CLIP;BAND	2	002001 -
				002001 -
39	4602887	HOSE	1	002001 -
40	4602888	HOSE	1	002001 -
41	4602889	HOSE	1	002001 -
42	4602890	HOSE	1	002001 -
43	4602891	HOSE	1	002001 -
44	4602892	HOSE	1	002001 -

P1LU-1-2_067-0

067

パイロット配管 (2-2)
PILOT PIPING (2-2)

適用号機 002001-
Serial No.



47	PILOT PIPING (2-3) S/N 40:002001 -	P1LU-1-2	47
-----------	---	-----------------	-----------

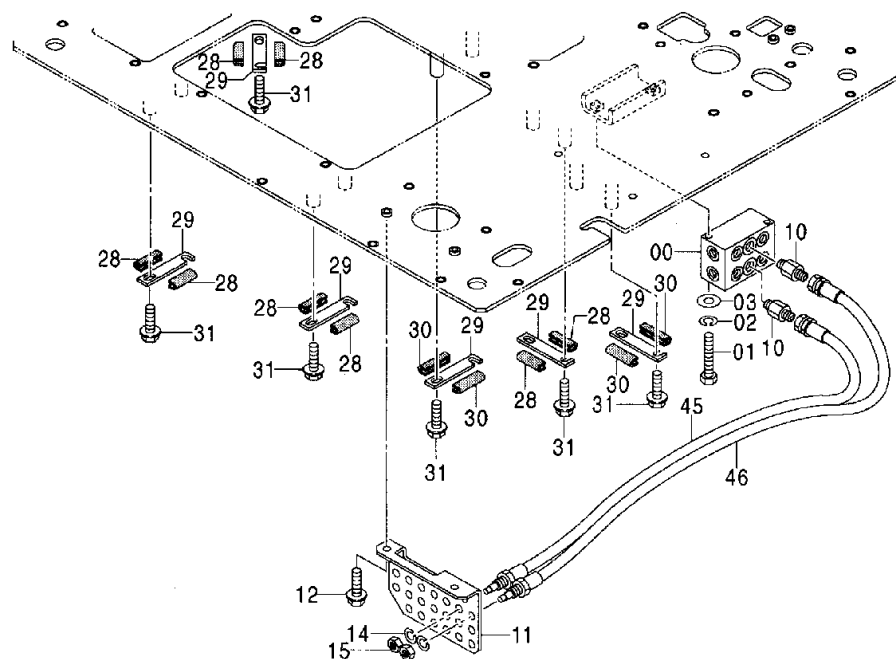
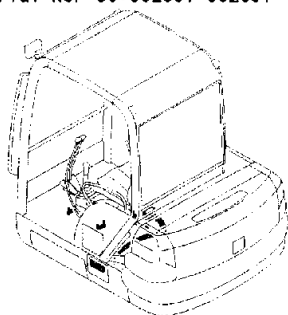
ITEM	PART NUMBER	PART NAME	QTY	SERIAL NO
00	3094178	MANIFOLD	1	40:002001 - 002
01	J960890	BOLT	2	40:002001 - 002
01	J900890	BOLT	2	40:002001 - 002
02	J252108	WASHER;SPRING	2	40:002001 - 002
02	A590908	WASHER;SPRING	2	40:002001 - 002
03	J253108	WASHER;PLANE	2	40:002001 - 002
03	A590108	WASHER;PLANE	2	40:002001 - 002
10	4368209	ADAPTER;S	2	40:002001 - 002
10A	4509180	O-RING	1	40:002001 - 002
11	4488322	BRACKET	1	40:002001 - 002
12	J090825	BOLT;SEMS	2	40:002001 - 002
12	J260825	BOLT;SEMS	2	40:002001 - 002
				40:002001 - 002
14	J252212	WASHER;SPRING	2	40:002001 - 002
14	A590912	WASHER;SPRING	2	40:002001 - 002
15	J231212	NUT	2	40:002001 - 002
15	J950012	NUT	2	40:002001 - 002
28	4488326	SEAL;RUBBER	8	40:002001 - 002
29	4488324	PLATE	6	40:002001 - 002
30	4488325	SEAL;RUBBER	4	40:002001 - 002
31	J090816	BOLT;SEMS	12	40:002001 - 002
31	J260816	BOLT;SEMS	12	40:002001 - 002
				40:002001 - 002
45	4602893	HOSE	1	40:002001 - 002
46	4602894	HOSE	1	40:002001 - 002

P1LU-1-2_069-0

069

パイロット配管 (2-3)
PILOT PIPING (2-3)

適用号機 40:002001-002076
Serial No. 50:002001-002091

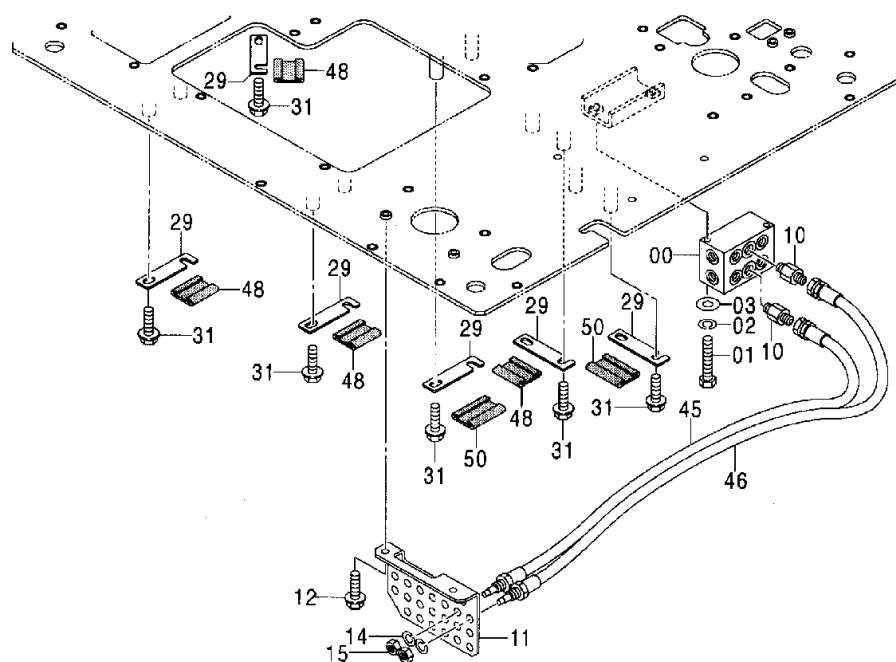
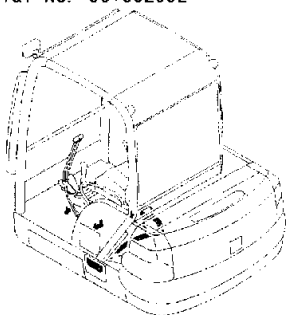


ITEM	PART NUMBER	PART NAME	QTY	SERIAL NO
00	3094178	MANIFOLD	1	40:002077 -; 50
01	J960890	BOLT	2	40:002077 -; 50
01	J900890	BOLT	2	40:002077 -; 50
02	J252108	WASHER;SPRING	2	40:002077 -; 50
02	A590908	WASHER;SPRING	2	40:002077 -; 50
03	J253108	WASHER;PLANE	2	40:002077 -; 50
03	A590108	WASHER;PLANE	2	40:002077 -; 50
10	4368209	ADAPTER;S	2	40:002077 -; 50
10A	4509180	O-RING	1	40:002077 -; 50
11	4488322	BRACKET	1	40:002077 -; 50
12	J090825	BOLT;SEMS	2	40:002077 -; 50
12	J260825	BOLT;SEMS	2	40:002077 -; 50
14	J252212	WASHER;SPRING	2	40:002077 -; 50
14	A590912	WASHER;SPRING	2	40:002077 -; 50
15	J231212	NUT	2	40:002077 -; 50
15	J950012	NUT	2	40:002077 -; 50
29	4613945	PLATE	6	40:002077 -; 50
31	J090816	BOLT;SEMS	12	40:002077 -; 50
31	J260816	BOLT;SEMS	12	40:002077 -; 50
45	4602893	HOSE	1	40:002077 -; 50
46	4602894	HOSE	1	40:002077 -; 50
48	4613946	RUBBER	4	40:002077 -; 50
50	4613947	RUBBER	2	40:002077 -; 50

071

パイロット配管 (2-3) PILOT PIPING (2-3)

適用号機 40:002077-
Serial No. 50:002092-

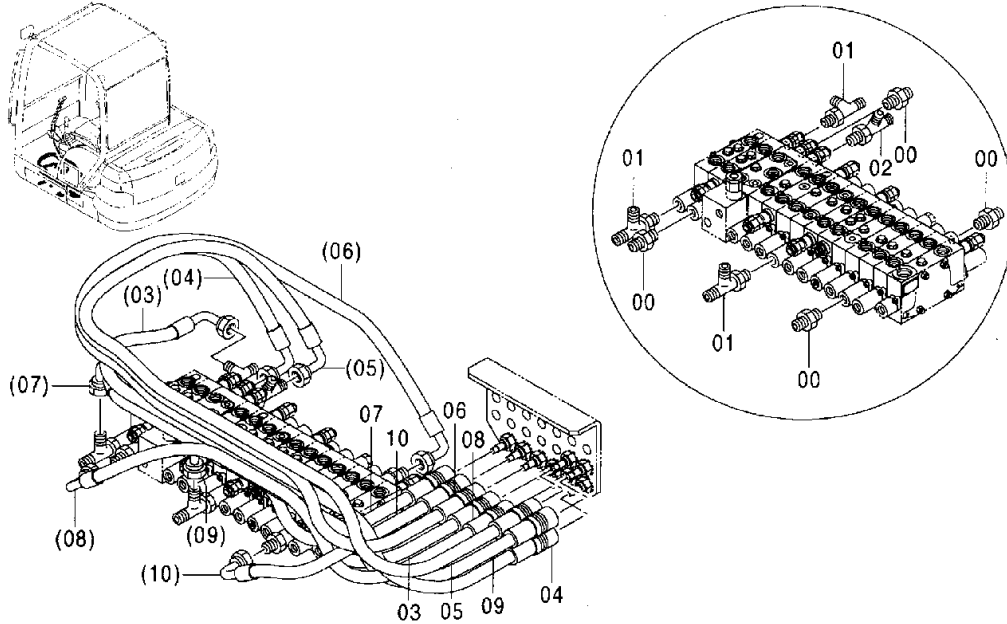


ITEM	PART NUMBER	PART NAME	QTY	SERIAL NO
00	4042030	ADAPTER	4	002001 -
00A	957366	O-RING	1	002001 -
01	4406156	TEE;S	3	002001 -
01A	957366	O-RING	1	002001 -
02	4608490	TEE;S	1	002001 -
02A	957366	O-RING	1	002001 -
03	4604598	HOSE	1	002001 -
04	4604599	HOSE	1	002001 -
05	4604600	HOSE	1	002001 -
06	4604601	HOSE	1	002001 -
07	4604602	HOSE	1	002001 -
08	4604603	HOSE	1	002001 -
09	4604604	HOSE	1	002001 -
10	4604605	HOSE	1	002001 -

073

パイロット配管 (3)
PILOT PIPING (3)

適用号機 002001-
Serial No.



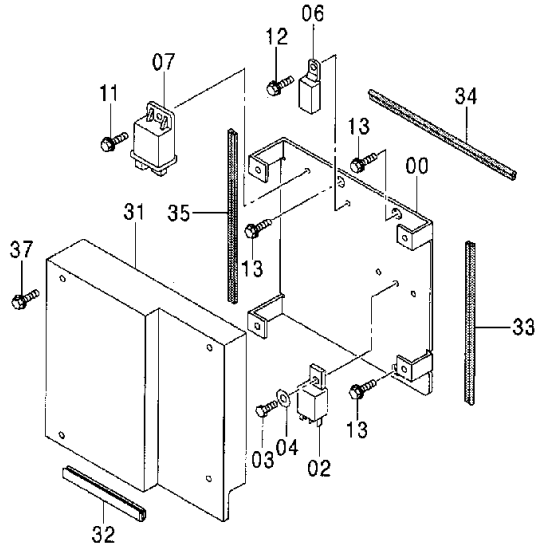
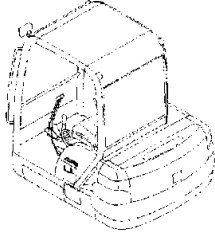
ITEM	PART NUMBER	PART NAME	QTY	SERIAL NO
00	8091095	BRACKET	1	002001 -
02	4394590	RELAY	2	002001 -
03	J691512	SCREW	2	002001 -
04	J253105	WASHER;PLANE	2	002001 -
04	A590105	WASHER;PLANE	2	002001 -
06	4419860	RELAY	1	002001 -
07	4417631	CONTROLLER	1	002001 -
11	J680620	SCREW;SEMS	1	002001 -
12	J691616	SCREW	1	002001 -
13	J090820	BOLT;SEMS	3	002001 -
13	J260820	BOLT;SEMS	3	002001 -
				002001 -
31	3097477	COVER	1	002001 -
32	4609853	CUSHION	1	002001 -
33	4488318	SEAL;RUBBER	1	002001 -
34	4488319	SEAL;RUBBER	1	002001 -
35	4488320	SEAL;RUBBER	1	002001 -
37	J090816	BOLT;SEMS	4	002001 -
37	J260816	BOLT;SEMS	4	002001 -
				002001 -

P1LU-1-2_074-0

074

電気部品 (1-1)
ELECTRIC PARTS (1-1)

適用号機 002001-
Serial No.

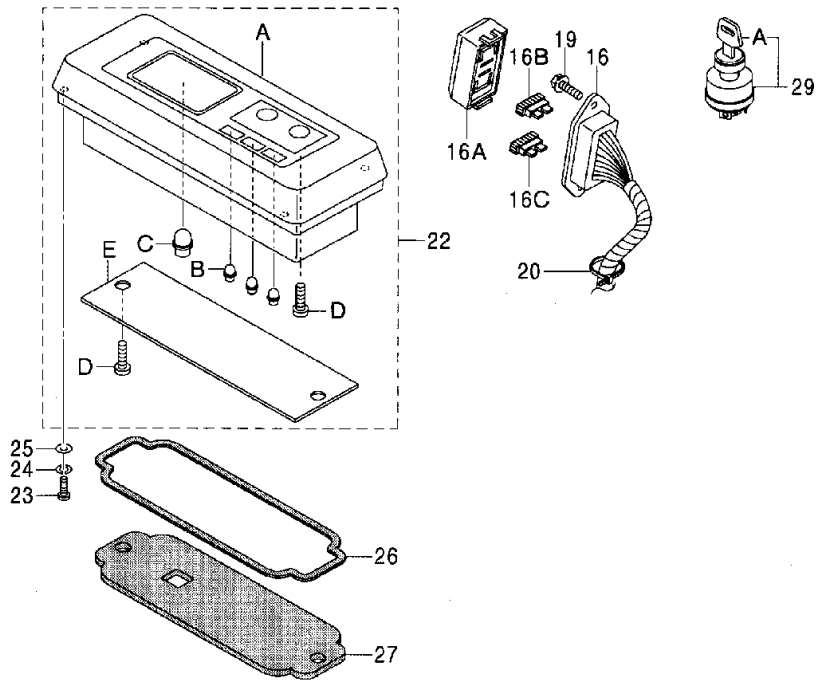
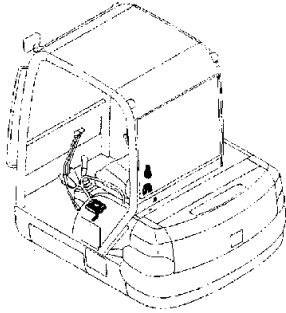


ITEM	PART NUMBER	PART NAME	QTY	SERIAL NO
16	3097738	HARNESS;WIRE	1	002001 -
16A	4348188	COVER	1	002001 -
16B	4195596	FUSE	3	002001 -
16C	4195595	FUSE	2	002001 -
19	J090620	BOLT;SEMS	2	002001 -
19	J260620	BOLT;SEMS	2	002001 -
20	4055312	CLIP;BAND	1	002001 -
22	4403739	PANEL;GAUGE	1	002001 -
22A	4449185	HOOD	1	002001 -
22B	4449186	BULB	3	002001 -
22C	4449187	BULB	1	002001 -
22D	4449188	SCREW;TAPPING	6	002001 -
22E	4449189	CASE;LOWER	1	002001 -
23	J691612	SCREW	4	002001 -
24	J252106	WASHER;SPRING	4	002001 -
24	A590906	WASHER;SPRING	4	002001 -
25	J253106	WASHER;PLANE	4	002001 -
25	A590106	WASHER;PLANE	4	002001 -
26	4477251	RUBBER	1	002001 -
27	4477252	RUBBER	1	002001 -
29	+++++++	SWITCH;START	1	002001 -
29A	+++++++	KEY	1	002001 -

075

電気部品 (1-2)
ELECTRIC PARTS (1-2)

適用号機 002001-
Serial No.

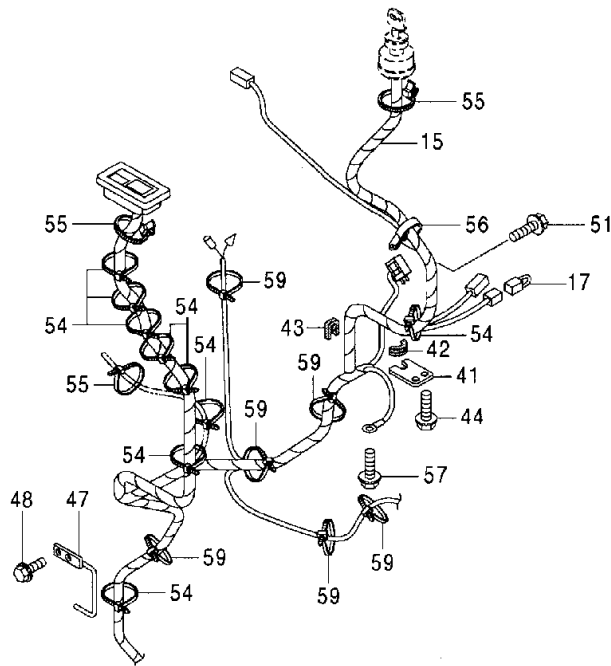
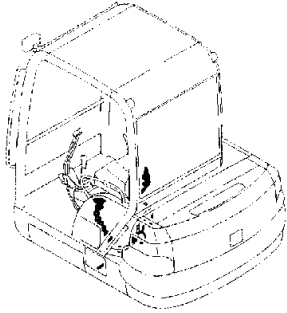


ITEM	PART NUMBER	PART NAME	QTY	SERIAL NO
15	1031119	HARNESS;WIRE	1	002001 -
17	4392691	HARNESS;WIRE	1	002001 -
41	4488475	PLATE	1	002001 -
42	4488207	BUSHING;RUBBER	1	002001 -
43	4355005	CUSHION	1	002001 -
44	J090825	BOLT;SEMS	2	002001 -
44	J260825	BOLT;SEMS	2	002001 -
				002001 -
47	9760293	BRACKET	1	002001 -
48	J090820	BOLT;SEMS	2	002001 -
48	J260820	BOLT;SEMS	2	002001 -
				002001 -
51	J090820	BOLT;SEMS	1	002001 -
51	J260820	BOLT;SEMS	1	002001 -
				002001 -
54	4055312	CLIP;BAND	9	002001 -
55	4254600	CLIP	3	002001 -
56	4192035	CLIP	1	002001 -
57	J090816	BOLT;SEMS	1	002001 -
57	J260816	BOLT;SEMS	1	002001 -
				002001 -
59	4323613	CLIP;BAND	6	002001 -

077

電気部品 (1-3)
ELECTRIC PARTS (1-3)

通用号機 002001-
Serial No.



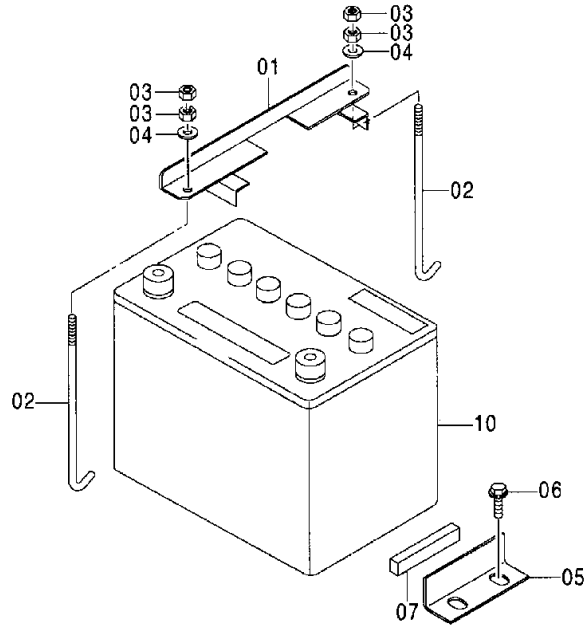
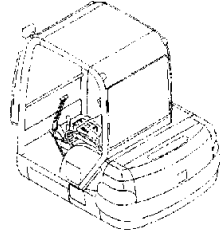
ITEM	PART NUMBER	PART NAME	QTY	SERIAL NO
01	8063965	BRACKET	1	002001 -
02	4356990	BOLT	2	002001 -
03	J231106	NUT	4	002001 -
03	M500605	NUT	4	002001 -
04	J253106	WASHER;PLANE	2	002001 -
04	A590106	WASHER;PLANE	2	002001 -
05	4340291	BRACKET	1	002001 -
06	J051020	BOLT;SEMS	2	002001 -
06	J271020	BOLT;SEMS	2	002001 -
07	4346843	RUBBER	1	002001 -
10	4392984	BATTERY	1	002001 -

P1LU-1-2_079-0

079

電気部品 (2-1)
ELECTRIC PARTS (2-1)

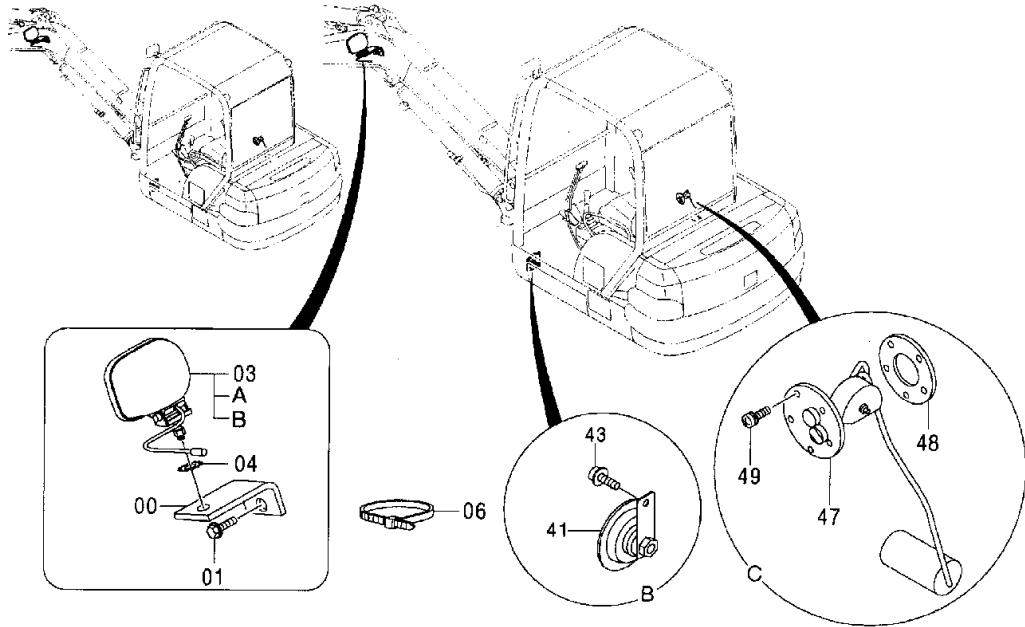
適用号機 002001-
Serial No.



ITEM	PART NUMBER	PART NAME	QTY	SERIAL NO
00	E4279638	STAY	1	002001 -
01	EJ051230	BOLT;SEMS	1	002001 -
01	EJ271025	BOLT;SEMS	1	002001 -
				002001 -
03	E4607856	LAMP;HEAD	1	002001 -
03A	+++++++	LENS	1	002001 -
03B	+++++++	BULB	1	002001 -
04	E4383077	WASHER;TOOTH	1	002001 -
06	E4055311	CLIP;BAND	8	002001 -
41	4603107	HORN	1	002001 -
43	J090816	BOLT;SEMS	1	002001 -
43	J260816	BOLT;SEMS	1	002001 -
				002001 -
47	4342062	FLOAT	1	002001 -
48	4504289	PACKING	1	002001 -
49	J670510	SCREW;SEMS	5	002001 -

電気部品 (2-2)
ELECTRIC PARTS (2-2)

適用号機 002001-
Serial No.



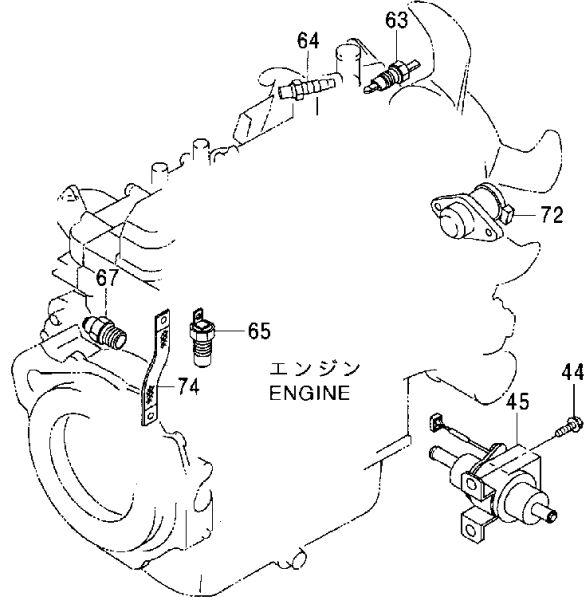
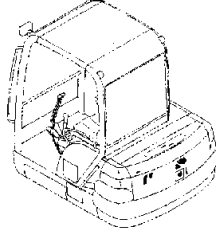
ITEM	PART NUMBER	PART NAME	QTY	SERIAL NO
44	J090614	BOLT;SEMS	2	002001 -
44	J260612	BOLT;SEMS	2	002001 -
				002001 -
45	4340286	PUMP;FUEL	1	002001 -
63	4417518	SWITCH;THERMO	1	002001 -
64	4355573	SENSOR;THERMO	1	002001 -
65	4331940	UNIT;THERMO	1	002001 -
67	4331942	SWITCH;PRES.	1	002001 -
72	4405440	SOLENOID	1	002001 -
74	4286598	WIRE;EARTH	1	002001 -

P1LU-1-2_081-0

081

電気部品 (2-3)
ELECTRIC PARTS (2-3)

適用号機 002001-
Serial No.

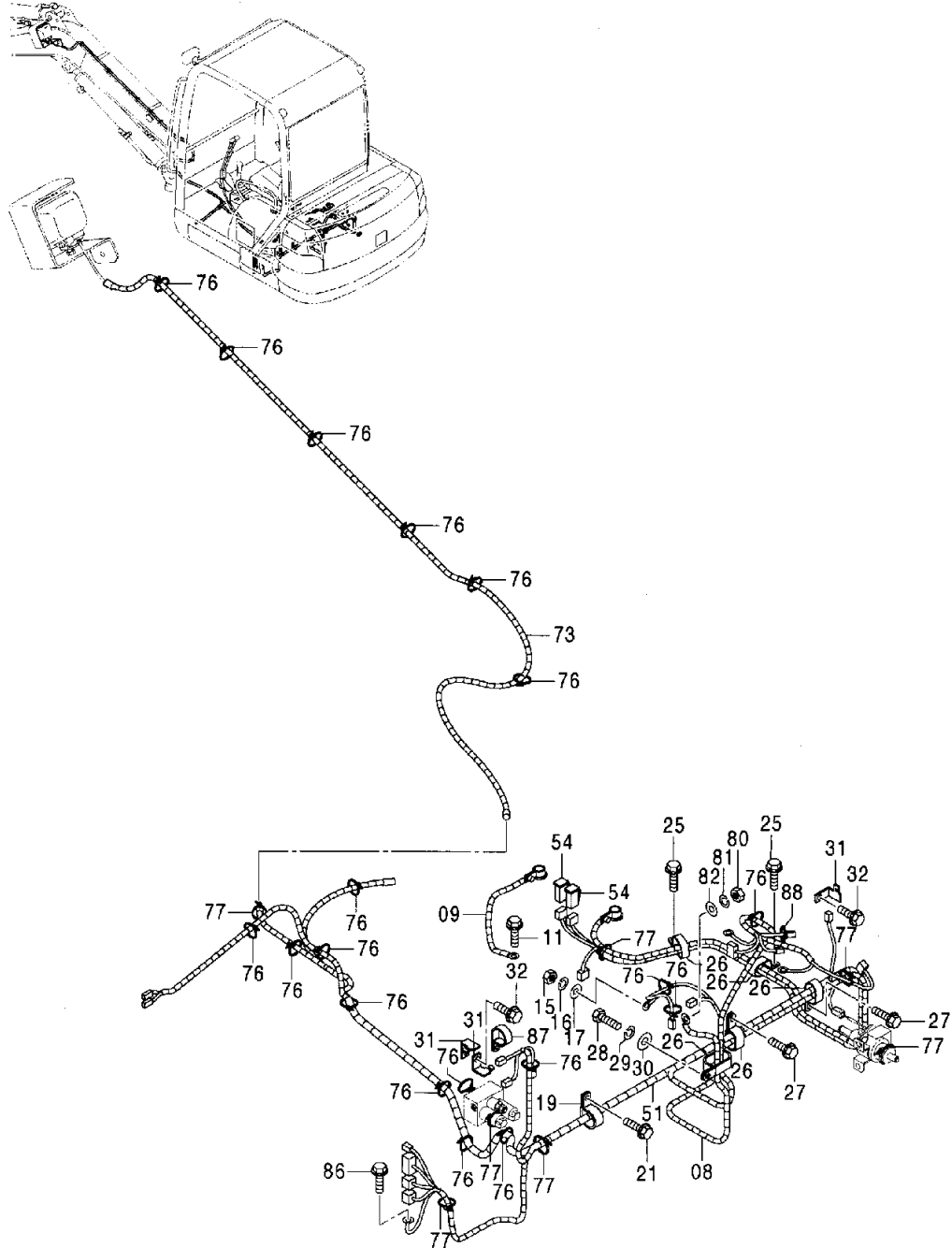


ITEM	PART NUMBER	PART NAME	QTY	SERIAL NO
08	4601070	CABLE	1	002001 -
09	4417776	CABLE	1	002001 -
11	J051020	BOLT;SEMS	1	002001 -
11	J271020	BOLT;SEMS	1	002001 -
15	J231106	NUT	1	002001 -
15	M500605	NUT	1	002001 -
16	J252106	WASHER;SPRING	1	002001 -
16	A590906	WASHER;SPRING	1	002001 -
17	J253106	WASHER;PLANE	1	002001 -
17	A590106	WASHER;PLANE	1	002001 -
19	4190263	CLIP	1	002001 -
21	J051025	BOLT;SEMS	1	002001 -
21	J271025	BOLT;SEMS	1	002001 -
25	J051025	BOLT;SEMS	2	002001 -
25	J271025	BOLT;SEMS	2	002001 -
26	4190282	CLIP	5	002001 -
27	J051020	BOLT;SEMS	2	002001 -
27	J271020	BOLT;SEMS	2	002001 -
28	J971020	BOLT	1	002001 -
28	J901020	BOLT	1	002001 -
29	J252210	WASHER;SPRING	1	002001 -
29	A590910	WASHER;SPRING	1	002001 -
30	J253110	WASHER;PLANE	1	002001 -
30	A590110	WASHER;PLANE	1	002001 -
31	4257159	BRACKET	3	002001 -
32	J051020	BOLT;SEMS	2	002001 -
32	J271020	BOLT;SEMS	2	002001 -
51	1031184	HARNESS;WIRE	1	002001 -
54	4331898	FUSIBLE-LINK	2	002001 -
73	4355699	HARNESS;WIRE	1	002001 -
76	4055311	CLIP;BAND	18	002001 -
77	4055312	CLIP;BAND	7	002001 -
80	J231108	NUT	1	002001 -
80	M500807	NUT	1	002001 -
81	J252108	WASHER;SPRING	1	002001 -
81	A590908	WASHER;SPRING	1	002001 -
82	J253108	WASHER;PLANE	1	002001 -
82	A590108	WASHER;PLANE	1	002001 -
86	J051020	BOLT;SEMS	1	002001 -
86	J271020	BOLT;SEMS	1	002001 -
87	4190261	CLIP	1	002001 -
88	4326365	CLIP;BAND	1	002001 -

083A

電気部品 (2-4)
ELECTRIC PARTS (2-4)

適用号機 002001-
Serial No.



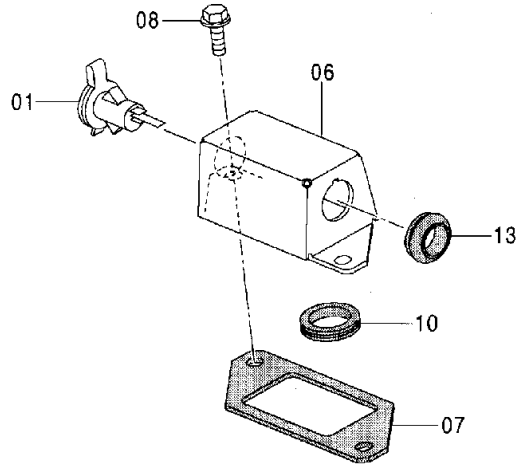
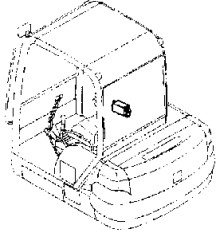
57**ELECTRIC SOCKET S/N 002001 -****P1LU-1-2****57**

ITEM	PART NUMBER	PART NAME	QTY	SERIAL NO
01	E4362213	SOCKET	1	002001 -
06	E4469152	BRACKET	1	002001 -
07	E4463187	RUBBER	1	002001 -
08	EJ090816	BOLT;SEMS	2	002001 -
08	EJ260816	BOLT;SEMS	2	002001 -
				002001 -
10	E4299864	GROMMET	1	002001 -
13	E4452610	BUSHING;RUBBER	1	002001 -

085

電気ソケット
ELECTRIC SOCKET

適用号機 002001-
Serial No.



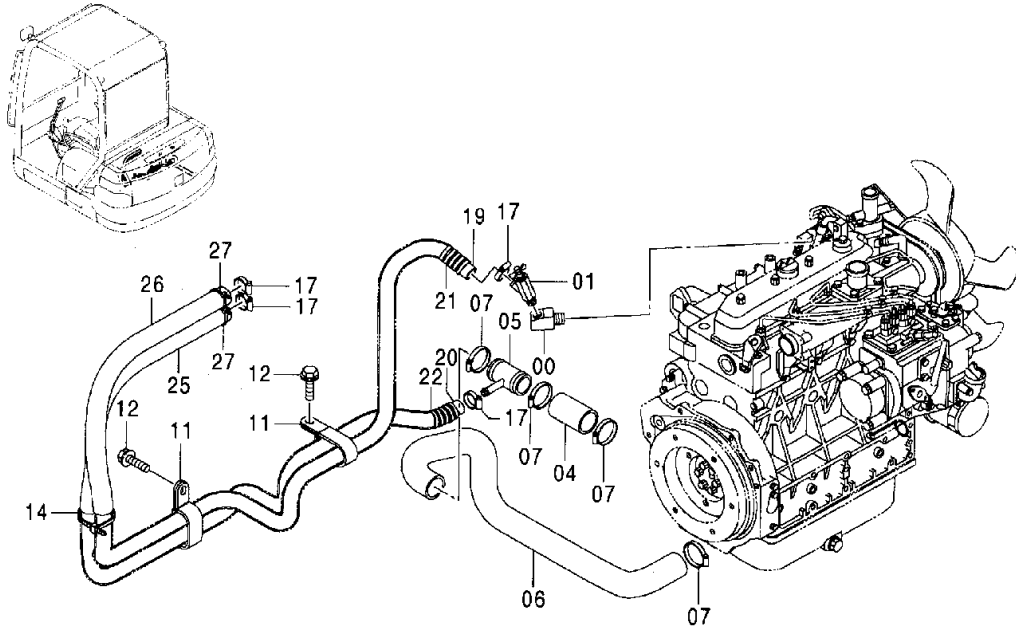
ITEM	PART NUMBER	PART NAME	QTY	SERIAL NO
00	4451358	ADAPTER	1	002001 -
01	4508050	COCK	1	002001 -
04	4468968	HOSE;WATER	1	002001 -
05	8087503	PIPE	1	002001 -
06	3097511	HOSE;WATER	1	002001 -
07	4011675	CLAMP;HOSE	4	002001 -
11	4295017	CLIP	2	002001 -
11	4411911	CLIP	2	002001 -
12	J051020	BOLT;SEMS	2	002001 -
12	J271020	BOLT;SEMS	2	002001 -
				002001 -
14	4055312	CLIP;BAND	1	002001 -
17	4514699	CLAMP;HOSE	4	002001 -
19	4436723	HOSE;WATER	1	002001 -
20	4376982	HOSE;WATER	1	002001 -
21	4436724	TUBE	1	002001 -
22	4606157	TUBE	1	002001 -
25	4489624	PROTECTOR;HOSE	1	002001 -
26	4489560	PROTECTOR;HOSE	1	002001 -
27	4326365	CLIP;BAND	2	002001 -

P1LU-1-2_086-0

086

ヒータ配管 HEATER PIPING

適用号機 002001-
Serial No.

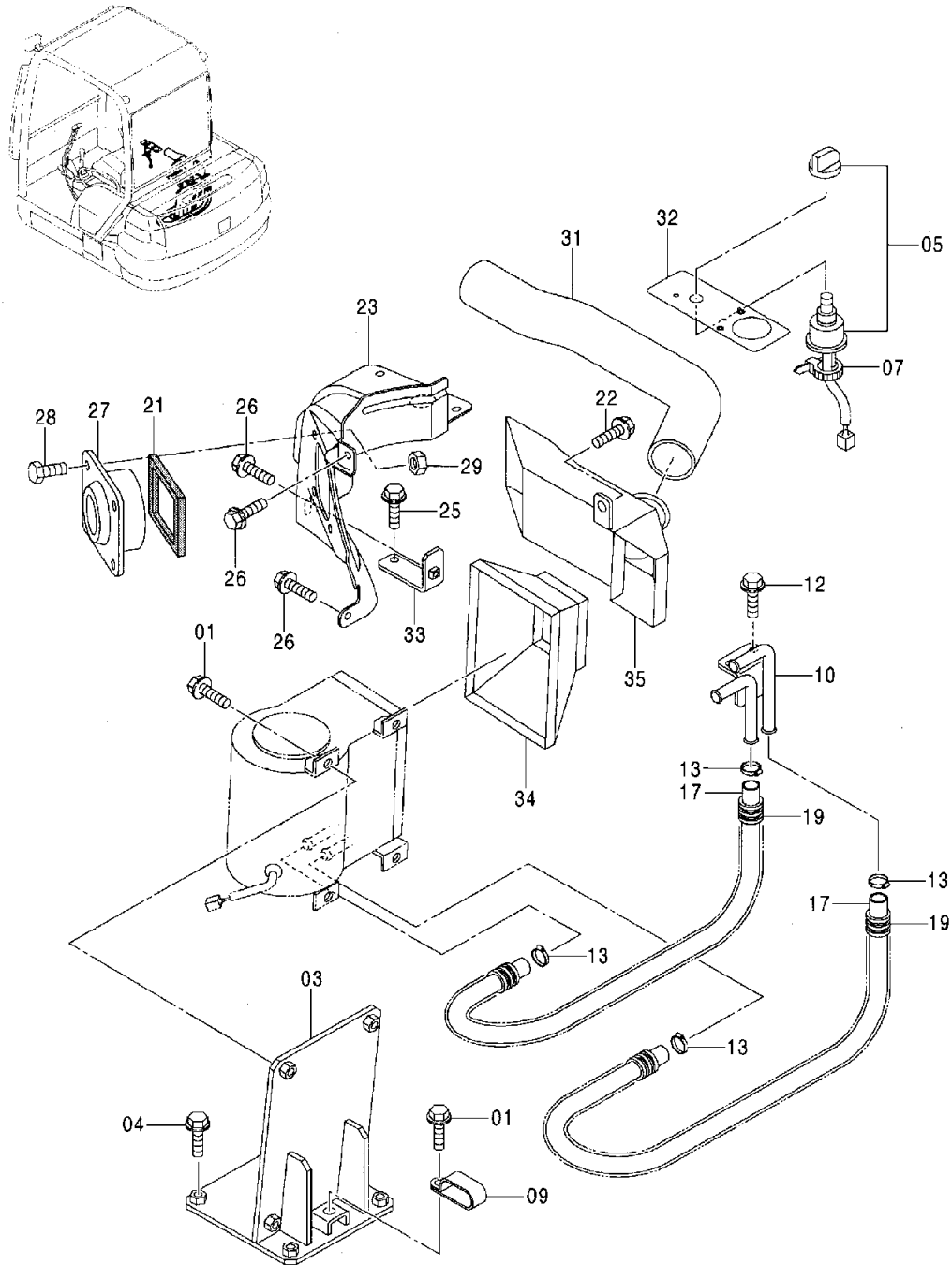


ITEM	PART NUMBER	PART NAME	QTY	SERIAL NO
01	J051025	BOLT;SEMS	5	002001 -
01	J271025	BOLT;SEMS	5	002001 -
				002001 -
03	8091119	BRACKET	1	002001 -
04	J090825	BOLT;SEMS	4	002001 -
04	J260825	BOLT;SEMS	4	002001 -
				002001 -
05	4294504	SWITCH;HEATER	1	002001 -
07	4055312	CLIP;BAND	3	002001 -
09	4411911	CLIP	1	002001 -
10	8092633	BRACKET	1	002001 -
12	J090825	BOLT;SEMS	2	002001 -
12	J260825	BOLT;SEMS	2	002001 -
				002001 -
13	4514699	CLAMP;HOSE	4	002001 -
17	4412685	HOSE;WATER	2	002001 -
19	4358645	TUBE	2	002001 -
21	4477254	RUBBER	1	002001 -
22	J090820	BOLT;SEMS	1	002001 -
22	J260820	BOLT;SEMS	1	002001 -
				002001 -
23	6021622	COVER	1	002001 -
25	J090825	BOLT;SEMS	1	002001 -
25	J260825	BOLT;SEMS	1	002001 -
				002001 -
26	J090816	BOLT;SEMS	3	002001 -
26	J260816	BOLT;SEMS	3	002001 -
				002001 -
27	4468859	GRILLE	1	002001 -
28	M470416	SCREW	4	002001 -
29	J231104	NUT	4	002001 -
29	M500403	NUT	4	002001 -
31	4479490	HOSE;AIR	1	002001 -
32	4603002	NAME-PLATE	1	002001 -
33	9761043	BRACKET	1	002001 -
34	4605002	DUCT	1	002001 -
35	4605003	DUCT	1	002001 -

087

ヒータ
HEATER

適用号機 002001-
Serial No.

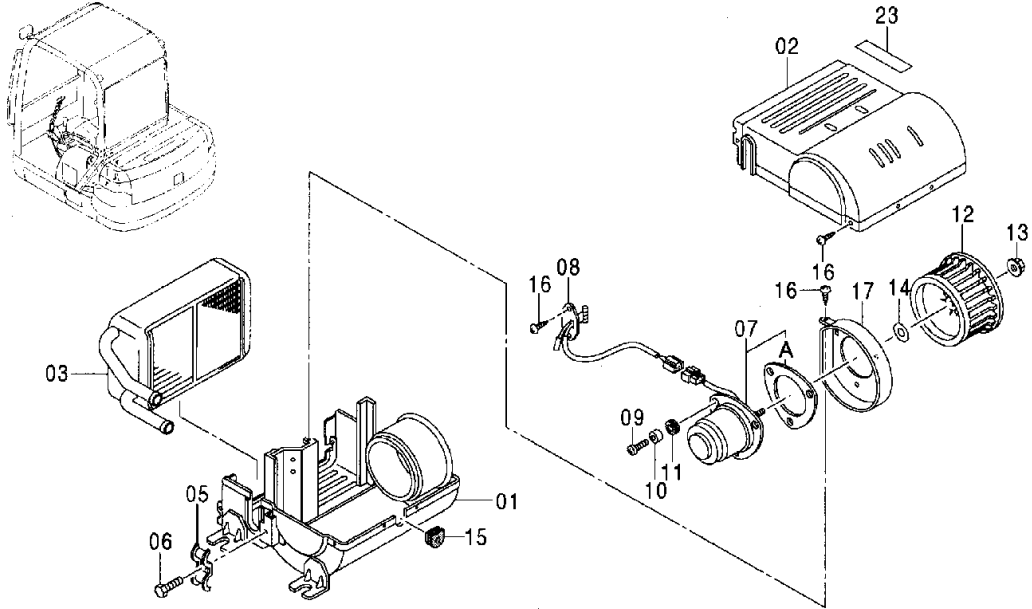


ITEM	PART NUMBER	PART NAME	QTY	SERIAL NO
	4464959	HEATER	1	002001 -
01	4466572	CASE	1	002001 -
02	4466573	CASE	1	002001 -
03	4466649	CORE	1	002001 -
05	4329856	CLAMP	1	002001 -
06	4329857	BOLT	1	002001 -
07	4446212	MOTOR	1	002001 -
07A	4448098	CUSHION	1	002001 -
08	4473598	RESISTOR	1	002001 -
09	4445788	SCREW	3	002001 -
10	4445789	BUSHING	3	002001 -
11	4445790	BUSHING;RUBBER	3	002001 -
12	4329854	FAN	1	002001 -
13	4329864	NUT	1	002001 -
14	4329865	WASHER	1	002001 -
15	4329869	BUSHING;RUBBER	1	002001 -
16	4329870	SCREW	7	002001 -
17	4445794	PLATE	1	002001 -
23	4446685	PLATE	1	002001 -

089

ヒータユニット
HEATER UNIT

通用号機 002001-
Serial No.



61

DEFROSTER S/N 002001 -

P1LU-1-2

61

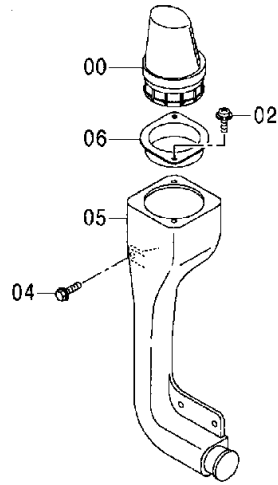
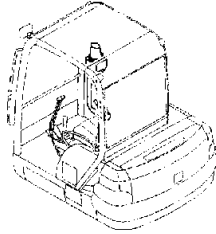
ITEM	PART NUMBER	PART NAME	QTY	SERIAL NO
00	4449068	DUCT	1	002001 -
02	J680616	SCREW;SEMS	2	002001 -
04	J090820	BOLT;SEMS	3	002001 -
04	J260820	BOLT;SEMS	3	002001 -
05	4605001	DUCT	1	002001 -
06	9759544	BRACKET	1	002001 -

P1LU-1-2_090-0

090

デフロスタ
DEFROSTER

適用号機 002001-
Serial No.



62

CANOPY ASS'Y S/N 002001 -

P1LU-1-2

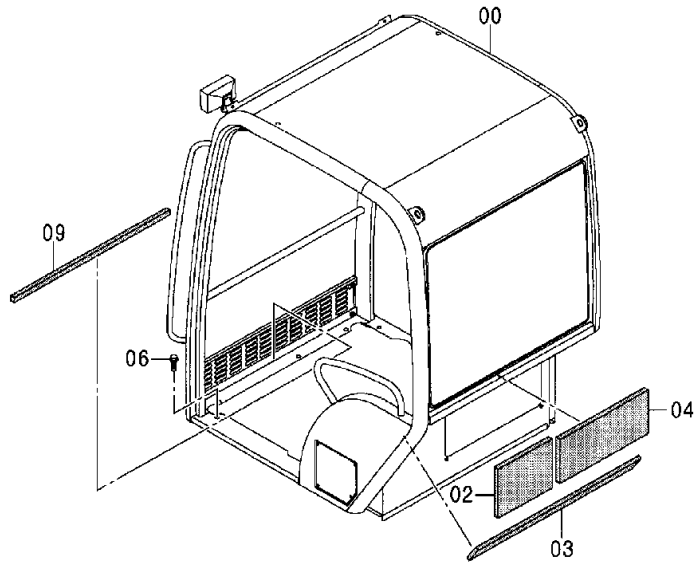
62

ITEM	PART NUMBER	PART NAME	QTY	SERIAL NO
00	E4485360	CANOPY	1	002001 -
02	E4605170	RUBBER	1	002001 -
03	E4605178	RUBBER	1	002001 -
04	E4605179	RUBBER	1	002001 -
06	EJ051030	BOLT;SEMS	13	002001 -
06	EJ271030	BOLT;SEMS	13	002001 -
				002001 -
09	E4611649	RUBBER	1	002001 -

091

キャノピ アッセン
CANOPY ASS'Y

適用号機 002001-
Serial No.

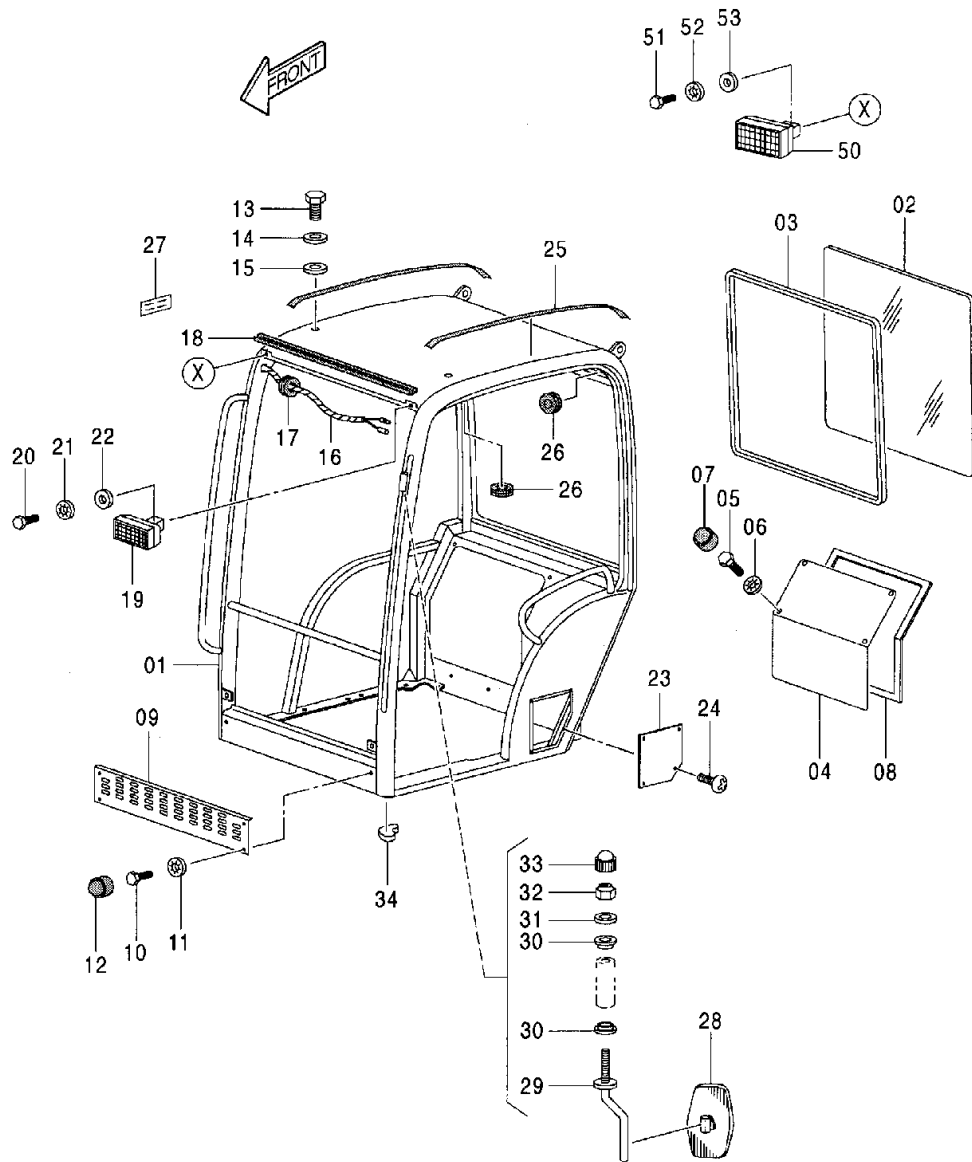


ITEM	PART NUMBER	PART NAME	QTY	SERIAL NO
	E4485360	CANOPY	1	002001 -
01	E4628791	CANOPY	1	002001 -
02	E4607296	PLATE	1	002001 -
03	E4607297	RUBBER	1	002001 -
04	E4628792	COVER	1	002001 -
05	E4607299	SCREW	4	002001 -
06	E4607156	WASHER	4	002001 -
07	E4607205	CAP	4	002001 -
08	E4628793	SEAL	1	002001 -
09	E4628794	GUARD	1	002001 -
10	E4607196	SCREW	4	002001 -
11	E4607217	WASHER	4	002001 -
12	E4607277	CAP	4	002001 -
13	E4607178	SCREW	2	002001 -
14	E4607179	WASHER	2	002001 -
15	E4607180	WASHER	2	002001 -
16	E4607302	HARNES;WIRE	1	002001 -
17	E4607207	BUSHING;RUBBER	1	002001 -
18	E4607303	SEAL	1	002001 -
19	E4607195	LAMP	1	002001 -
20	E4607196	SCREW	1	002001 -
21	E4607197	WASHER	1	002001 -
22	E4607198	WASHER	1	002001 -
23	E4628795	COVER	1	002001 -
24	E4607154	SCREW	4	002001 -
25	E4628796	MOLDING	2	002001 -
26	E4607245	BUSHING;RUBBER	4	002001 -
27	E4628797	PLATE	1	002001 -
28	E4607187	MIRROR	1	002001 -
29	E4607188	BRACKET	1	002001 -
30	E4607189	SPACER	2	002001 -
31	E4607190	WASHER	1	002001 -
32	E4607191	NUT	1	002001 -
33	E4607192	CAP	1	002001 -
34	E4607193	PLUG	2	002001 -
50	E4607195	LAMP	1	002001 -
51	E4607196	SCREW	1	002001 -
52	E4607197	WASHER	1	002001 -
53	E4607198	WASHER	1	002001 -

093

キャノピ CANOPY

適用号機 002001-
Serial No.

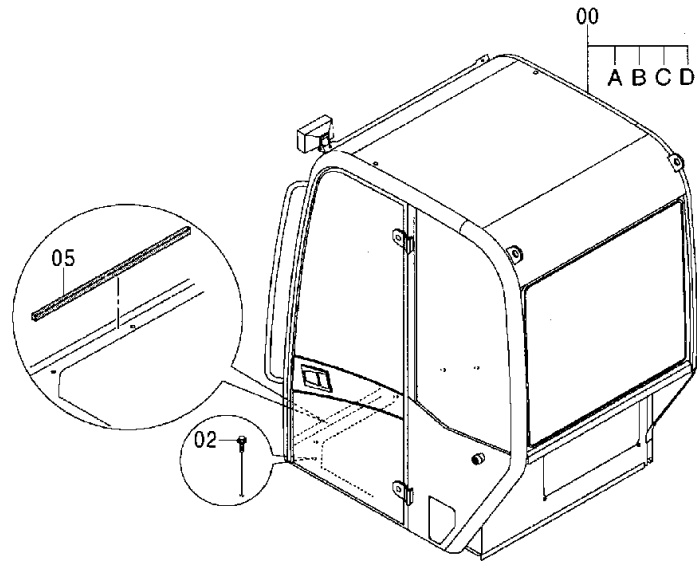
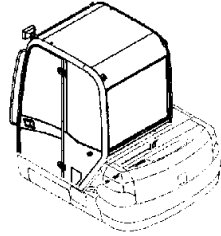


ITEM	PART NUMBER	PART NAME	QTY	SERIAL NO
00	E4485361	CAB ASS'Y	1	002001 -
01A	+++++++	CAB	1	002001 -
01B	+++++++	CAB	1	002001 -
01C	+++++++	CAB	1	002001 -
01D	+++++++	CAB	1	002001 -
02	EJ051030	BOLT;SEMS	13	002001 -
02	EJ271030	BOLT;SEMS	13	002001 -
				002001 -
05	E4611649	RUBBER	1	002001 -

095

キャブ アッセン
CAB ASS'Y

適用号機 002001-
Serial No.

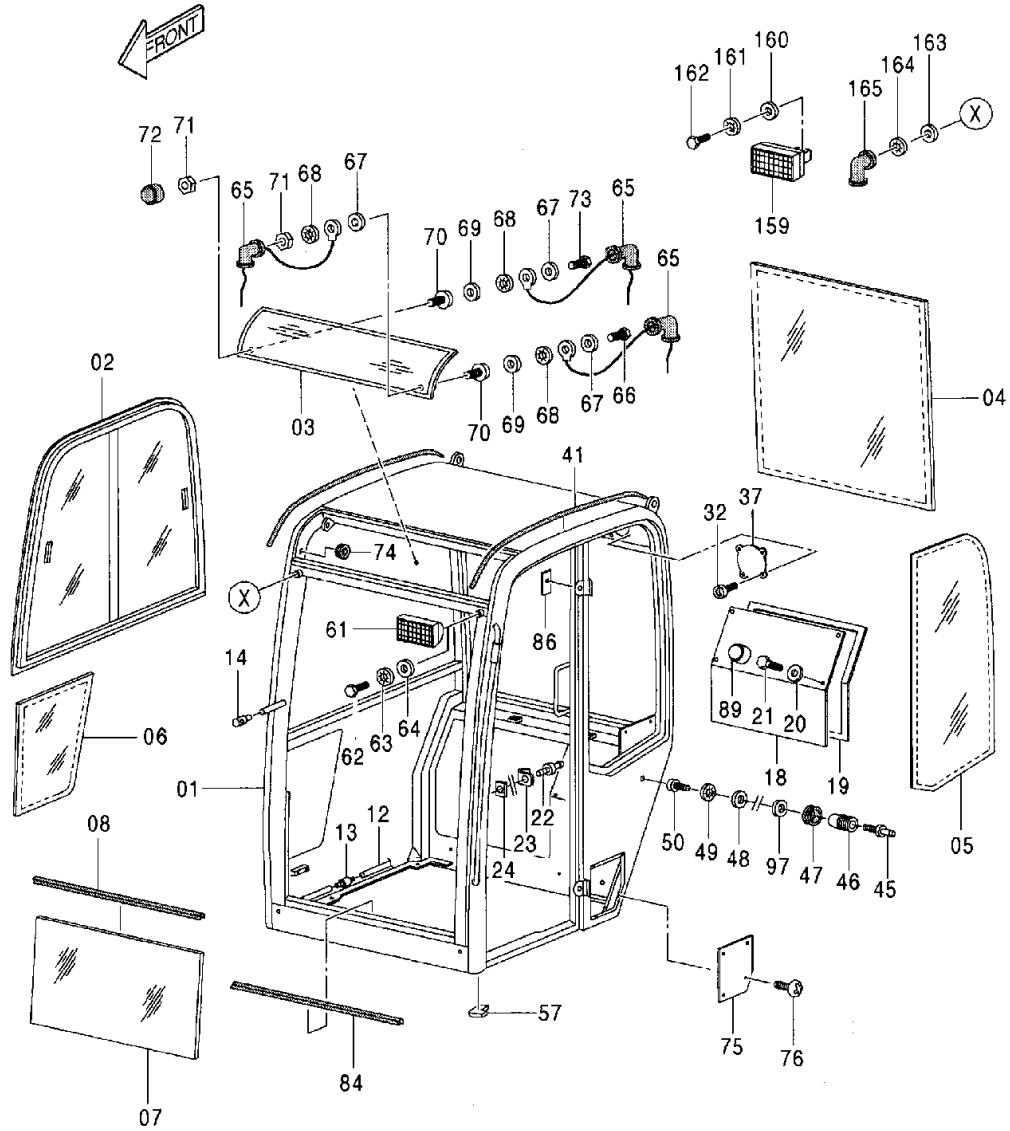


65	CAB (1) S/N 002001 -			P1LU-1-2	65
ITEM	PART NUMBER	PART NAME	QTY	SERIAL NO	
01	+++++++	CAB	1	002001 -	
02	E4621423	SASH	1	002001 -	
03	E4607140	PLATE	1	002001 -	
04	E4607141	GLASS	1	002001 -	
05	E4621424	GLASS	1	002001 -	
06	E4621425	GLASS	1	002001 -	
07	E4607144	GLASS	1	002001 -	
08	E4607145	SEAL	1	002001 -	
12	E4607149	PIPE	1	002001 -	
13	E4607150	VALVE	1	002001 -	
14	E4607151	NOZZLE	1	002001 -	
18	E4621428	PLATE	1	002001 -	
19	E4621429	SEAL	1	002001 -	
20	E4607156	WASHER	4	002001 -	
21	E4607157	SCREW	4	002001 -	
22	E4607158	STRIKER	1	002001 -	
23	E4607159	COVER	1	002001 -	
24	E4607160	SEAT;SCREW	1	002001 -	
31	E4607167	PLATE	2	002001 -	
32	E4607168	SCREW	8	002001 -	
41	E4621442	SEAL	2	002001 -	
45	E4621443	STRIKER	1	002001 -	
46	E4607182	COVER	1	002001 -	
47	E4607183	SPACER	1	002001 -	
48	E4607184	WASHER	1	002001 -	
49	E4609764	WASHER	1	002001 -	
50	E4621445	SCREW	1	002001 -	
57	E4607193	PLUG	2	002001 -	
61	E4607195	LAMP	1	002001 -	
62	E4607196	SCREW	1	002001 -	
63	E4607197	WASHER	1	002001 -	
64	E4607198	WASHER	1	002001 -	
65	E4607199	BOOT	3	002001 -	
66	E4607200	SCREW	1	002001 -	
67	E4607201	WASHER	3	002001 -	
68	E4607202	WASHER	3	002001 -	
69	E4607153	WASHER	2	002001 -	
70	E4607203	NUT	2	002001 -	
71	E4607204	NUT	2	002001 -	
72	E4607205	CAP	1	002001 -	
73	E4607200	SCREW	1	002001 -	
74	E4621446	BUSHING;RUBBER	6	002001 -	
75	E4621447	COVER	1	002001 -	
76	E4607154	SCREW	4	002001 -	
84	E4607239	SEAL	1	002001 -	
86	E4607305	PLATE	1	002001 -	
89	E4607205	CAP	4	002001 -	
97	E4621460	SPACER	1	002001 -	
159	E4607195	LAMP	1	002001 -	
160	E4607196	SCREW	1	002001 -	
161	E4607197	WASHER	1	002001 -	
162	E4607198	WASHER	1	002001 -	
163	E4607201	WASHER	1	002001 -	
164	E4607202	WASHER	1	002001 -	
165	E4607199	BOOT	1	002001 -	

097A

キャブ (1)
CAB (1)

適用号機 002001-
Serial No.

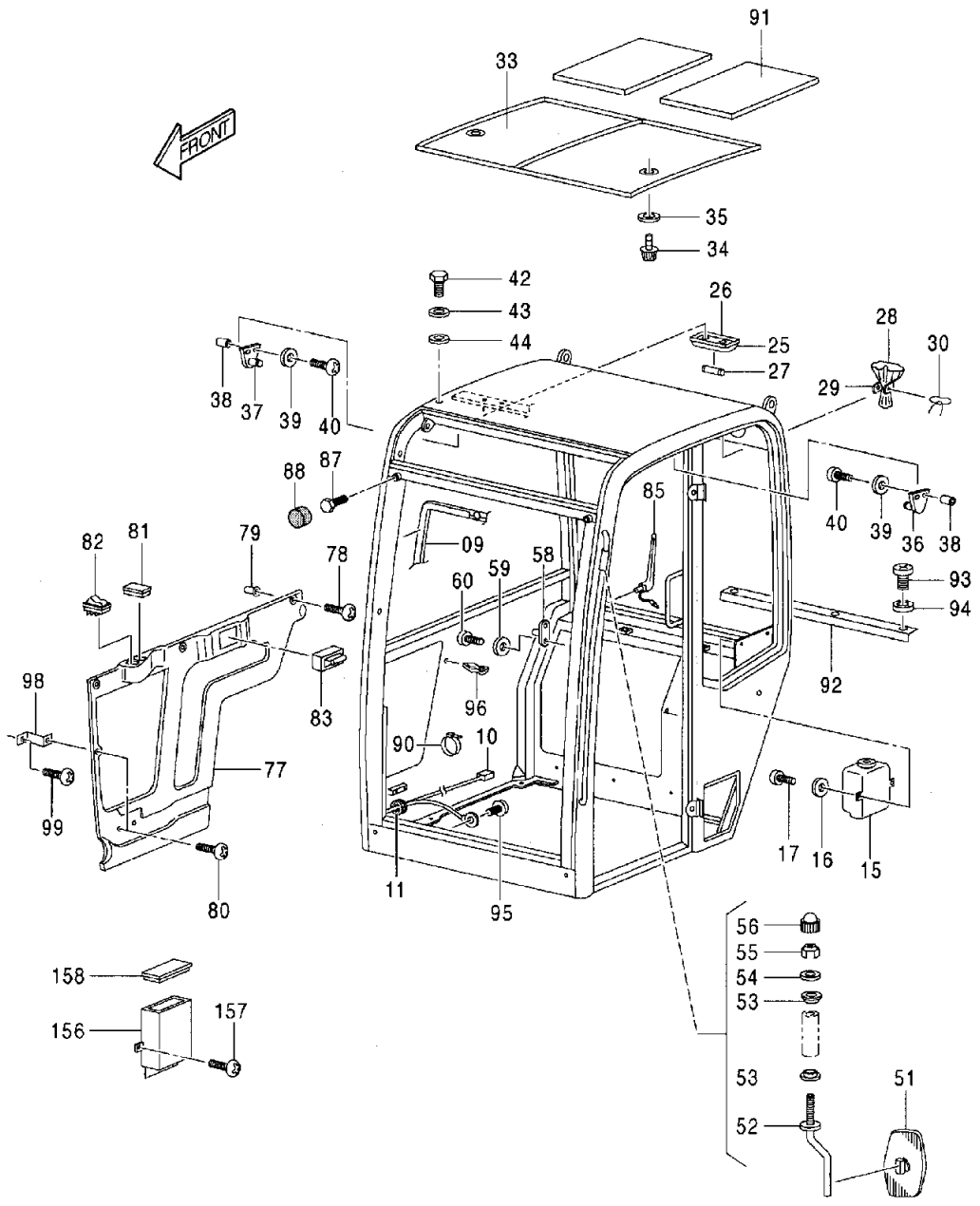


66	CAB (2) S/N 002001 -			P1LU-1-2	66
ITEM	PART NUMBER	PART NAME	QTY	SERIAL NO	
09	E4607146	SEAL	1	002001 -	
10	E4621426	HARNES;WIRE	1	002001 -	
11	E4621427	BUSHING;RUBBER	1	002001 -	
15	E4607152	TANK;WASHER	1	002001 -	
16	E4607153	WASHER	2	002001 -	
17	E4607154	SCREW	2	002001 -	
25	E4607161	LAMP	1	002001 -	
26	E4607162	SCREW	2	002001 -	
27	E4607163	BULB	1	002001 -	
28	E4607164	HAMMER	1	002001 -	
29	E4607165	RIVET	2	002001 -	
30	E4607166	LOCK	1	002001 -	
33	E4621430	RUBBER	1	002001 -	
34	E4621441	RUBBER	2	002001 -	
35	E4607171	SPACER	2	002001 -	
36	E4607172	STRIKER	1	002001 -	
37	E4607173	STRIKER	1	002001 -	
38	E4607174	NUT	4	002001 -	
39	E4607175	WASHER	4	002001 -	
40	E4607176	SCREW	4	002001 -	
42	E4607178	SCREW	2	002001 -	
43	E4607179	WASHER	2	002001 -	
44	E4607180	WASHER	2	002001 -	
51	E4607187	MIRROR	1	002001 -	
52	E4607188	BRACKET	1	002001 -	
53	E4607189	SPACER	2	002001 -	
54	E4607190	WASHER	1	002001 -	
55	E4607191	NUT	1	002001 -	
56	E4607192	CAP	1	002001 -	
58	E4607194	STRIKER	2	002001 -	
59	E4607175	WASHER	4	002001 -	
60	E4607176	SCREW	4	002001 -	
77	E4621448	COVER	1	002001 -	
78	E4607226	SCREW	3	002001 -	
79	E4607232	NUT	3	002001 -	
80	E4607233	SCREW	2	002001 -	
81	E4607236	PLUG	1	002001 -	
82	E4607235	SWITCH	1	002001 -	
83	E4607237	ASHTRAY	1	002001 -	
85	E4607244	ANTENNA	1	002001 -	
87	E4607178	SCREW	1	002001 -	
88	E4607277	CAP	1	002001 -	
90	E4621449	PLUG	9	002001 -	
91	E4621456	RUBBER	1	002001 -	
92	E4621457	BRACKET	1	002001 -	
93	E4607265	SCREW	4	002001 -	
94	E4621458	WASHER	4	002001 -	
95	E4607209	SCREW	1	002001 -	
96	E4621459	PLUG	9	002001 -	
98	E4621461	BRACKET	1	002001 -	
99	E4607226	SCREW	1	002001 -	
156	E4621462	COVER	1	002001 -	
157	E4607226	SCREW	2	002001 -	
158	E4621463	COVER	1	002001 -	

099A

キャブ (2)
CAB (2)

適用号機 002001-
Serial No.

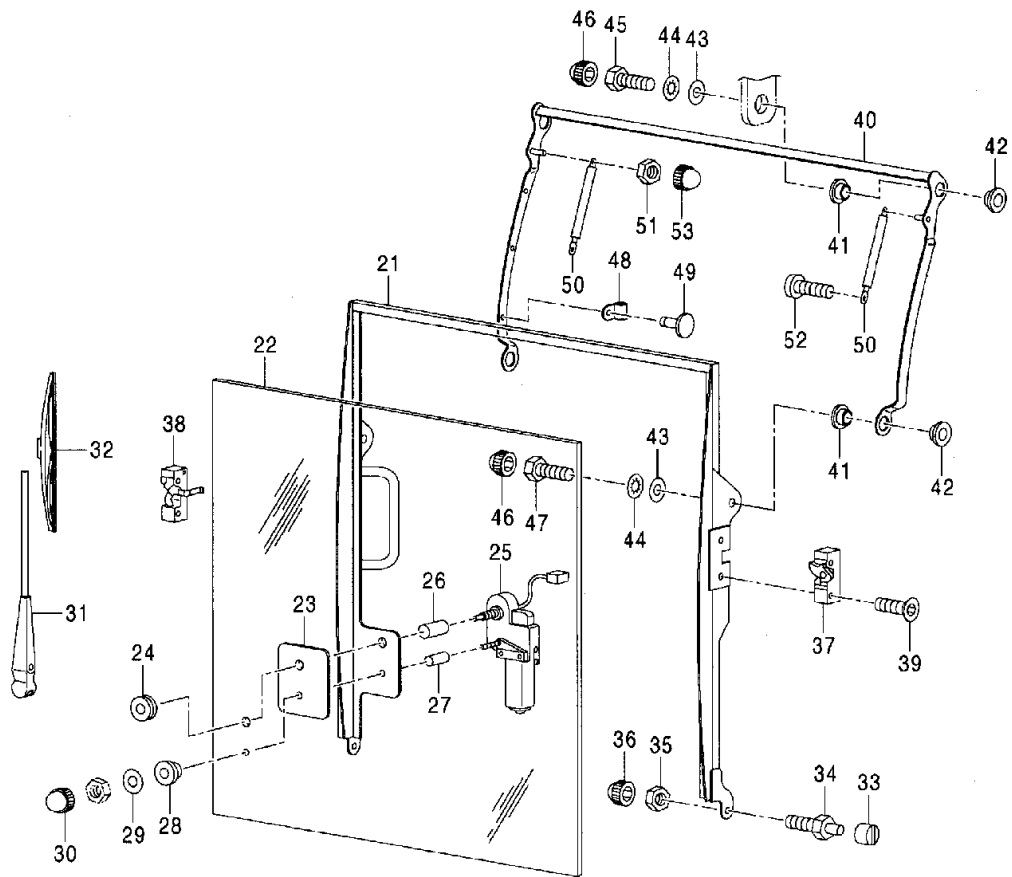


ITEM	PART NUMBER	PART NAME	QTY	SERIAL NO
	E4611461	WINDOW ASSY	1	002001 -
21	E4607269	FRAME	1	002001 -
22	E4607270	GLASS	1	002001 -
23	E4607271	RUBBER	1	002001 -
24	E4607272	BUSHING;RUBBER	1	002001 -
25	E4607273	MOTOR	1	002001 -
26	E4607274	SPACER	1	002001 -
27	E4607275	SPACER	1	002001 -
28	E4607262	SPACER	1	002001 -
29	E4607276	WASHA	1	002001 -
30	E4607277	CAP	1	002001 -
31	E4607278	ARM	1	002001 -
32	E4607279	BLADE	1	002001 -
33	E4607280	ROLLER	2	002001 -
34	E4607281	PIN	2	002001 -
35	E4607282	NUT	2	002001 -
36	E4607283	CAP	2	002001 -
37	E4607284	LOCK	1	002001 -
38	E4607285	LOCK	1	002001 -
39	E4607286	SCREW	4	002001 -
40	E4607287	ARM	1	002001 -
41	E4607288	SPACER	4	002001 -
42	E4607289	SPACER	4	002001 -
43	E4607175	WASHER	4	002001 -
44	E4607197	WASHER	4	002001 -
45	E4607290	SCREW	2	002001 -
46	E4607277	CAP	4	002001 -
47	E4607196	SCREW	2	002001 -
48	E4607291	CLIP	3	002001 -
49	E4607292	RIVET	3	002001 -
50	E4607293	DAMPER	2	002001 -
51	E4607294	NUT	2	002001 -
52	E4607176	SCREW	2	002001 -
53	E4607277	CAP	2	002001 -

101

キャブ (3)
CAB (3)

適用号機 002001-
Serial No.

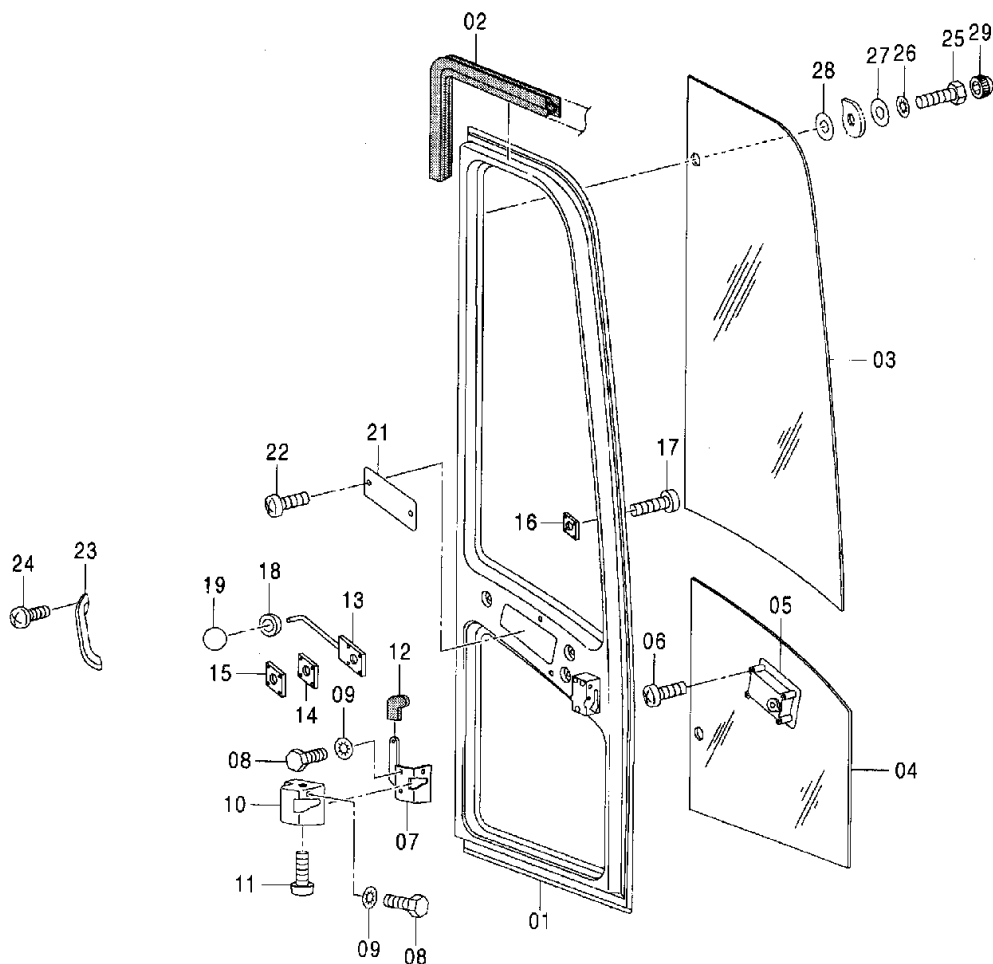


ITEM	PART NUMBER	PART NAME	QTY	SERIAL NO
	E4611451	DOOR ASS'Y	1	002001 -
01	E4607246	DOOR	1	002001 -
02	E4607247	SEAL	1	002001 -
03	E4607248	GLASS	1	002001 -
04	E4607249	GLASS	1	002001 -
05	E4607250	HANDLE	1	002001 -
06	E4607251	SCREW	4	002001 -
07	E4607252	LOCK	1	002001 -
08	E4607253	SCREW	3	002001 -
09	E4607156	WASHER	3	002001 -
10	E4607254	COVER	1	002001 -
11	E4607255	SCREW	2	002001 -
12	E4607256	COVER	1	002001 -
13	E4607257	LOCK	1	002001 -
14	E4607258	RUBBER	1	002001 -
15	E4607259	PLATE	1	002001 -
16	E4607260	PLATE	1	002001 -
17	E4607261	SCREW	4	002001 -
18	E4607262	SPACER	1	002001 -
19	E4607263	GRIP	1	002001 -
21	E4607264	COVER	1	002001 -
22	E4607265	SCREW	2	002001 -
23	E4607266	HANDLE	1	002001 -
24	E4607265	SCREW	2	002001 -
25	E4607267	SCREW	2	002001 -
26	E4609764	WASHER	2	002001 -
27	E4617184	WASHER	2	002001 -
28	E4607180	WASHER	2	002001 -
29	E4607192	CAP	2	002001 -

103

キャブ (4)
CAB (4)

適用号機 002001-
Serial No.

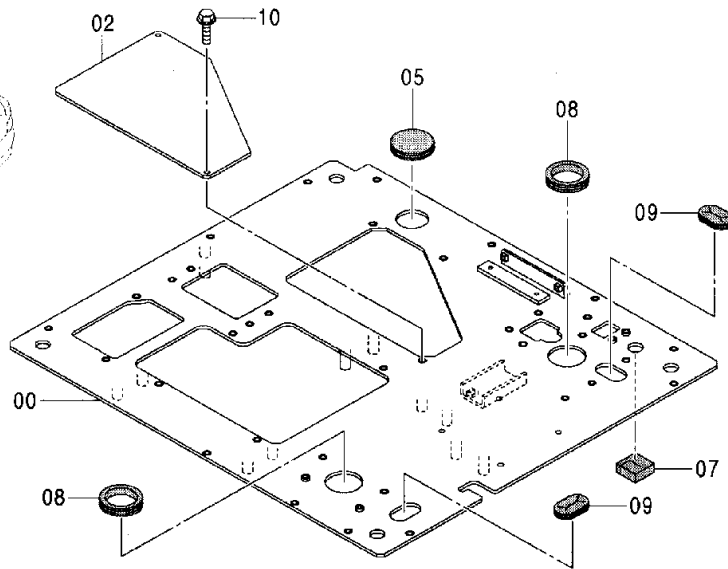
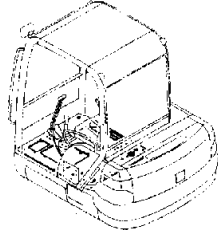


ITEM	PART NUMBER	PART NAME	QTY	SERIAL NO
00	5008806	PLATE	1	002001 -
02	4488321	PLATE	1	002001 -
05	4075227	BUSHING;RUBBER	1	002001 -
07	4489014	RUBBER	1	002001 -
08	4087462	BUSHING;RUBBER	2	002001 -
09	4469497	BUSHING;RUBBER	2	002001 -
10	J090820	BOLT;SEMS	2	002001 -
10	J260820	BOLT;SEMS	2	002001 -
				002001 -

105

フロア アッセン
FLOOR ASS'Y

適用号機 002001-
Serial No.

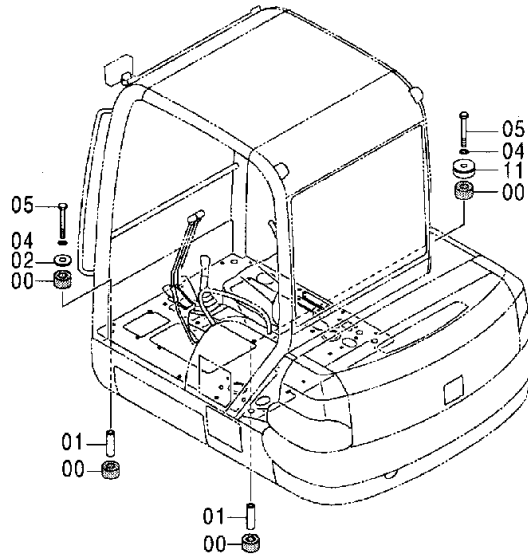
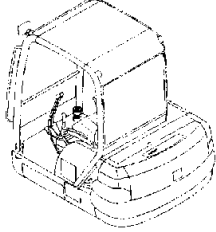


70**FLOOR SUPPORT PARTS S/N****P1LU-1-2****70**

ITEM	PART NUMBER	PART NAME	QTY	SERIAL NO
00	4298875	RUBBER	8	40:002001 - 002
01	4472677	SPACER	4	40:002001 - 002
02	4298878	WASHER	3	40:002001 - 002
04	J252216	WASHER;SPRING	4	40:002001 - 002
04	A590916	WASHER;SPRING	4	40:002001 - 002
05	J971602	BOLT	4	40:002001 - 002
05	J901602	BOLT	4	40:002001 - 002
11	9760746	STOPPER	1	40:002001 - 002

フロア取付部品
FLOOR SUPPORT PARTS

適用号機 40:002001-002304
Serial No. 50:002001-002290

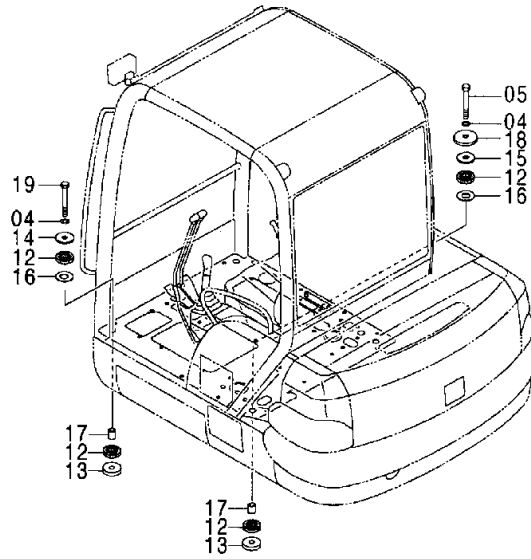
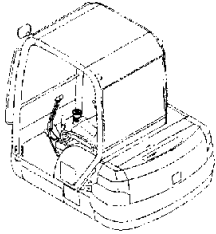


ITEM	PART NUMBER	PART NAME	QTY	SERIAL NO
04	J252216	WASHER;SPRING	4	40:002305 -; 50
04	A590916	WASHER;SPRING	4	40:002305 -; 50
05	J971602	BOLT	1	40:002305 -; 50
05	J901602	BOLT	1	40:002305 -; 50
12	4200084	RUBBER	8	40:002305 -; 50
13	4624970	SPACER	4	40:002305 -; 50
14	4624971	SPACER	3	40:002305 -; 50
15	4624972	SPACER	1	40:002305 -; 50
16	4624973	SPACER	4	40:002305 -; 50
17	4200086	SPACER	4	40:002305 -; 50
18	4203878	STOPPER	1	40:002305 -; 50
19	J901600	BOLT	3	40:002305 -; 50

107

フロア取付部品
FLOOR SUPPORT PARTS

適用号機 40:002305-
Serial No. 50:002291-



72

FLOOR MAT (STD) S/N 002001 -

P1LU-1-2

72

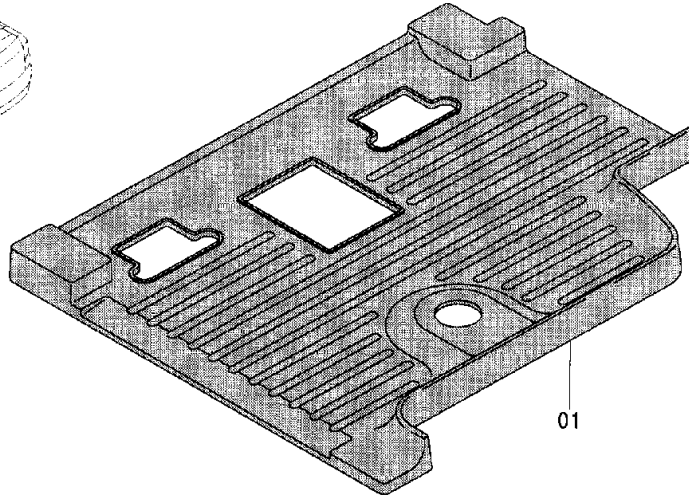
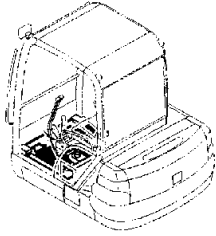
ITEM	PART NUMBER	PART NAME	QTY	SERIAL NO
01	4605586	MAT;FLOOR	1	002001 -

P1LU-1-2_108-0

108

フロアマット (STD)
FLOOR MAT (STD)

適用号機 002001-
Serial No.



73

SEAT (CANOPY) S/N 002001 -

P1LU-1-2

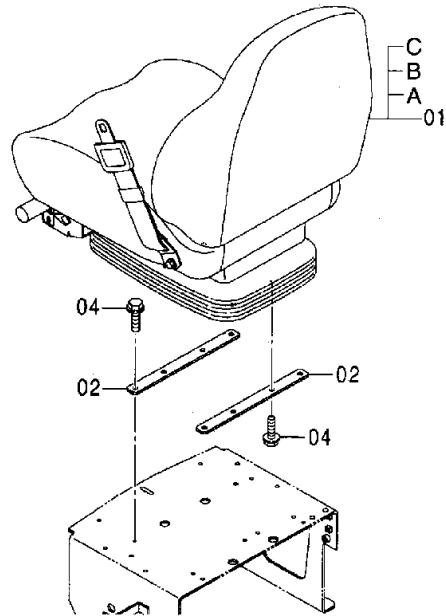
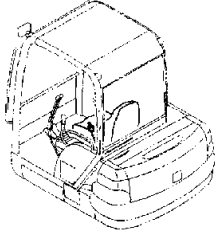
73

ITEM	PART NUMBER	PART NAME	QTY	SERIAL NO
01	E4613093	SEAT	1	002001 -
01A	E4613346	SEAT	1	002001 -
01B	E4463545	SUSPENSION	1	002001 -
01C	E4428941	SEAT-BELT	1	002001 -
02	E4488208	PLATE	2	002001 -
04	EJ050825	BOLT;SEMS	8	002001 -
04	E4618460	BOLT;SEMS	8	002001 -

109

シート (キャノピ)
SEAT (CANOPY)

適用号機 002001-
Serial No.



74

SEAT (CAB) S/N 002001 -

P1LU-1-2

74

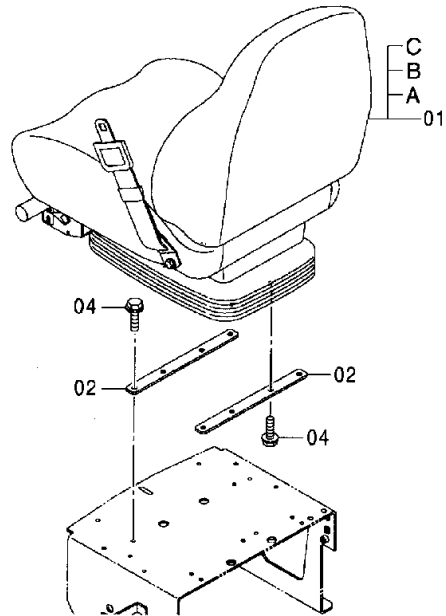
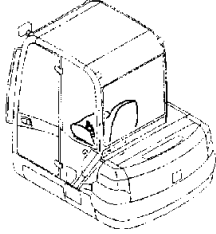
ITEM	PART NUMBER	PART NAME	QTY	SERIAL NO
01	E4613094	SEAT	1	002001 -
01A	E4613345	SEAT	1	002001 -
01B	E4463545	SUSPENSION	1	002001 -
01C	E4428941	SEAT-BELT	1	002001 -
02	E4488208	PLATE	2	002001 -
04	EJ050825	BOLT;SEMS	8	002001 -
04	E4618460	BOLT;SEMS	8	002001 -

P1LU-1-2_110-0

110

シート (キャブ)
SEAT (CAB)

適用号機 002001-
Serial No.

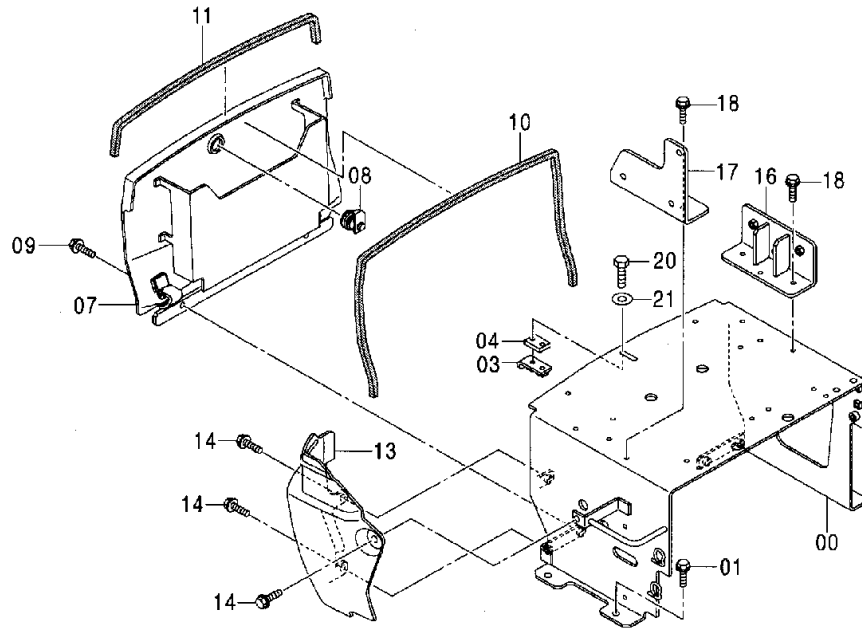
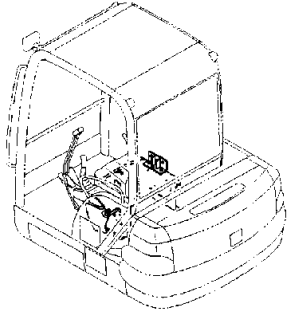


ITEM	PART NUMBER	PART NAME	QTY	SERIAL NO
00	7043141	BRACKET	1	002001 -
01	J051025	BOLT;SEMS	4	002001 -
01	J271025	BOLT;SEMS	4	002001 -
				002001 -
03	9756170	BRACKET	1	002001 -
04	4458605	SPACER	1	002001 -
07	7040856	COVER	1	002001 -
08	4423918	LOCK	1	002001 -
09	J090820	BOLT;SEMS	2	002001 -
09	J260820	BOLT;SEMS	2	002001 -
				002001 -
10	4477249	RUBBER	1	002001 -
11	4477250	CUSHION	1	002001 -
13	1031120	COVER	1	002001 -
14	J090816	BOLT;SEMS	3	002001 -
14	J260816	BOLT;SEMS	3	002001 -
				002001 -
16	9759480	BRACKET	1	002001 -
17	8089451	BRACKET	1	002001 -
18	J090825	BOLT;SEMS	6	002001 -
18	J260825	BOLT;SEMS	6	002001 -
				002001 -
20	J960625	BOLT	2	002001 -
20	J900625	BOLT	2	002001 -
21	J253106	WASHER;PLANE	2	002001 -
21	A590106	WASHER;PLANE	2	002001 -

111

シートベース
SEAT BASE

適用号機 002001-
Serial No.



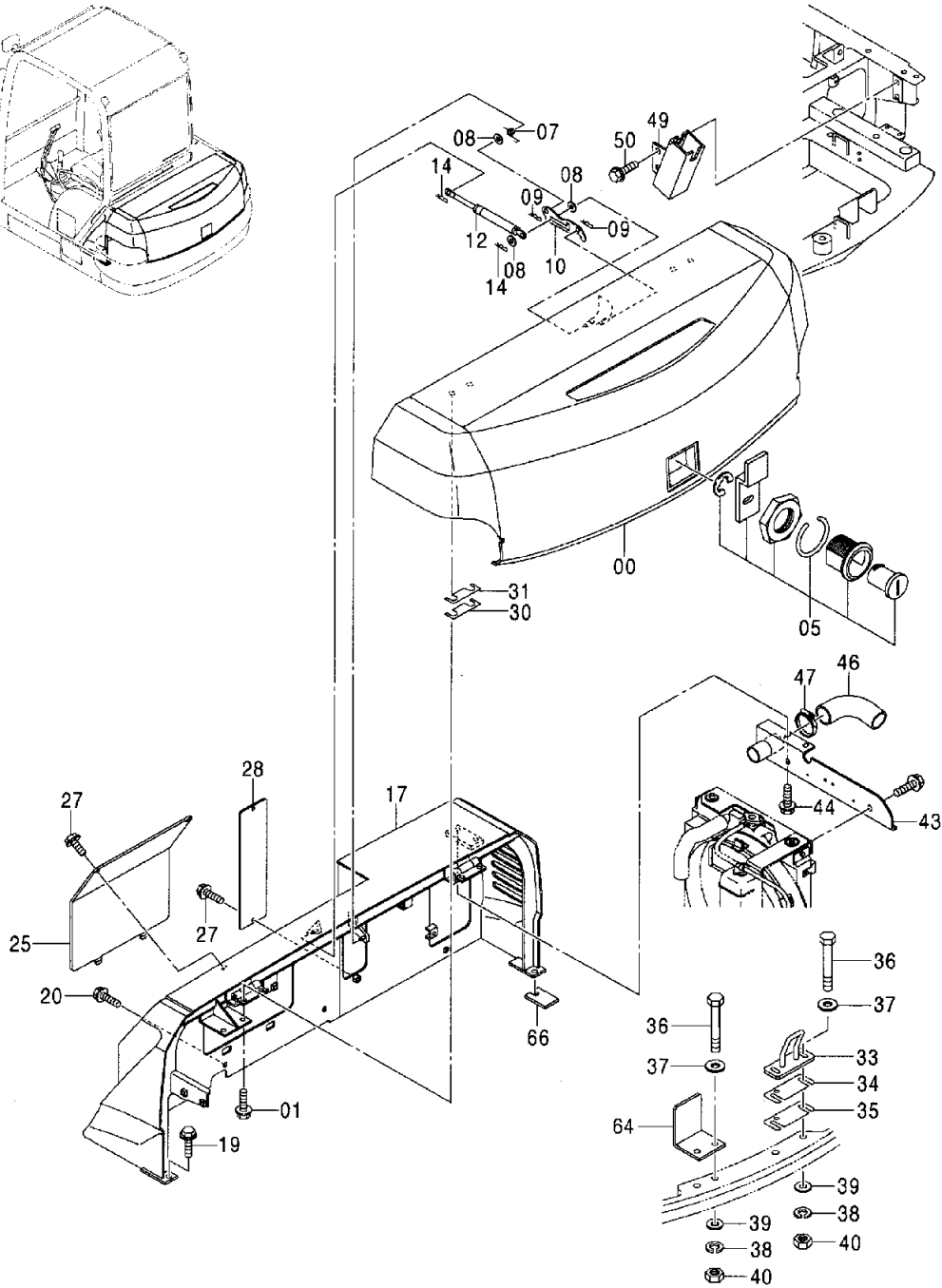
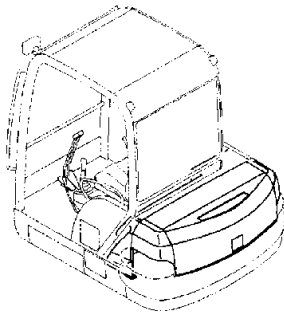
76	COVER (1-1) S/N 002001 -			P1LU-1-2	76
ITEM	PART NUMBER	PART NAME	QTY	SERIAL NO	
00	6014929	COVER	1	002001 -	
01	J051020	BOLT;SEMS	4	002001 -	
01	J271020	BOLT;SEMS	4	002001 -	
				002001 -	
05	4396018	CYL.;LOCK	1	002001 -	
07	4352119	SPRING	1	002001 -	
08	J253108	WASHER;PLANE	4	002001 -	
08	A590108	WASHER;PLANE	4	002001 -	
09	4289311	PIN	2	002001 -	
10	4410232	STOPPER	1	002001 -	
12	4600446	STAY	1	002001 -	
14	4289311	PIN	2	002001 -	
17	5008849	SUPPORT	1	002001 -	
19	J051230	BOLT;SEMS	3	002001 -	
19	J271230	BOLT;SEMS	3	002001 -	
				002001 -	
20	J051030	BOLT;SEMS	3	002001 -	
20	J271030	BOLT;SEMS	3	002001 -	
				002001 -	
25	3096355	COVER	1	002001 -	
27	J090820	BOLT;SEMS	4	002001 -	
27	J260820	BOLT;SEMS	4	002001 -	
				002001 -	
28	4604526	COVER	1	002001 -	
30	4374192	SHIM 3.2	2	002001 -	
31	4374190	SHIM 1.2	2	002001 -	
33	9735770	CATCH	1	002001 -	
34	4286207	SHIM 1.2	2	002001 -	
35	4286208	SHIM 2.0	2	002001 -	
36	J970870	BOLT	4	002001 -	
36	J900870	BOLT	4	002001 -	
37	J253108	WASHER;PLANE	4	002001 -	
37	A590108	WASHER;PLANE	4	002001 -	
38	J252108	WASHER;SPRING	4	002001 -	
38	A590908	WASHER;SPRING	4	002001 -	
39	4346037	WASHER	4	002001 -	
39	4338215	WASHER	4	002001 -	
40	J231108	NUT	4	002001 -	
40	M500807	NUT	4	002001 -	
43	8091414	BRACKET	1	002001 -	
44	J051025	BOLT;SEMS	2	002001 -	
44	J271025	BOLT;SEMS	2	002001 -	
				002001 -	
46	4600499	HOSE;RUBBER	1	002001 -	
47	4504199	CLAMP;HOSE	1	002001 -	
49	8064743	HOLDER	1	002001 -	
50	J090820	BOLT;SEMS	2	002001 -	
50	J260820	BOLT;SEMS	2	002001 -	
				002001 -	
64	4606429	BRACKET	1	002001 -	
66	4391795	SHIM 3.2	1	002001 -	

P1LU-1-2_113-0

113A

カバー (1-1)
COVER (1-1)

適用号機 002001-
Serial No.

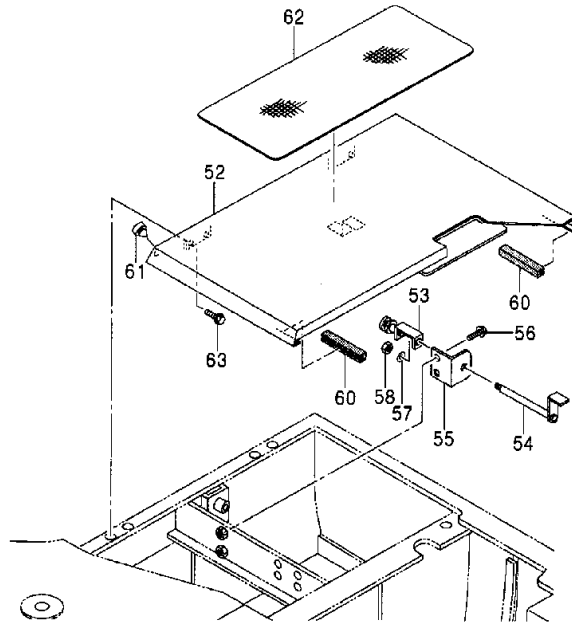
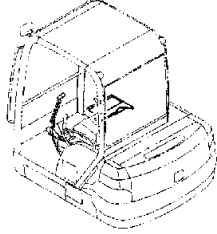


ITEM	PART NUMBER	PART NAME	QTY	SERIAL NO
52	6014966	COVER;BATTERY	1	002001 -
53	4363572	LOCK	1	002001 -
54	8062339	SHAFT	1	002001 -
55	3072298	BRACKET	1	002001 -
56	J090820	BOLT;SEMS	2	002001 -
56	J260820	BOLT;SEMS	2	002001 -
57	J253108	WASHER;PLANE	1	002001 -
57	A590108	WASHER;PLANE	1	002001 -
58	J231108	NUT	1	002001 -
58	M500807	NUT	1	002001 -
60	4361521	MOULDING	2	002001 -
61	4361530	BUSHING;RUBBER	1	002001 -
62	4363468	TAPE	1	002001 -
63	J090820	BOLT;SEMS	4	002001 -
63	J260820	BOLT;SEMS	4	002001 -

115

カバー (1-2)
COVER (1-2)

適用号機 002001-
Serial No.



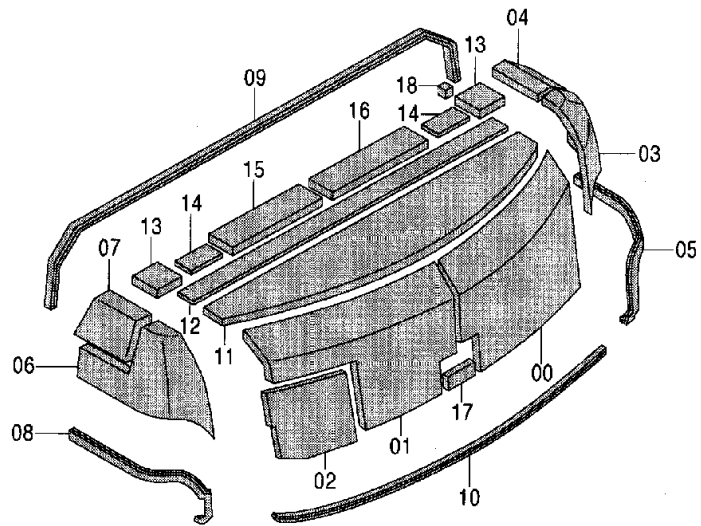
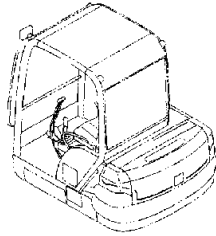
ITEM	PART NUMBER	PART NAME	QTY	SERIAL NO
00	4357460	RUBBER	1	002001 -
01	4357461	RUBBER	1	002001 -
02	4357462	RUBBER	1	002001 -
03	4357528	RUBBER	1	002001 -
04	4315327	RUBBER	1	002001 -
05	4357465	SEAL;RUBBER	1	002001 -
06	4357527	RUBBER	1	002001 -
07	4315328	RUBBER	1	002001 -
08	4357466	SEAL;RUBBER	1	002001 -
09	4357464	SEAL;RUBBER	1	002001 -
10	4357463	SEAL;RUBBER	1	002001 -
11	3060628	RUBBER	1	002001 -
12	4357429	RUBBER	1	002001 -
13	4357427	RUBBER	2	002001 -
14	4357459	RUBBER	2	002001 -
15	4362914	RUBBER	1	002001 -
16	4362913	RUBBER	1	002001 -
17	4362915	RUBBER	1	002001 -
18	4607393	RUBBER	1	002001 -

P1LU-1-2_116-0

116

カバー (2-1)
COVER (2-1)

通用号機 002001-
Serial No.

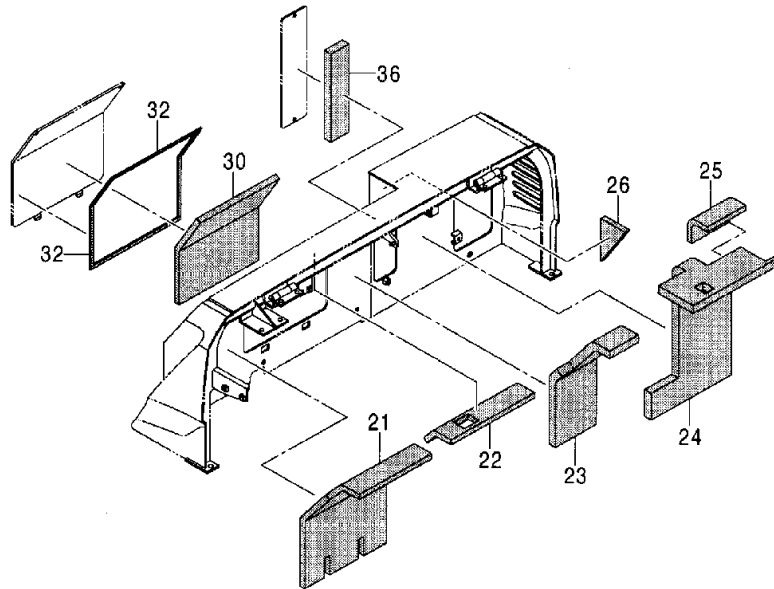
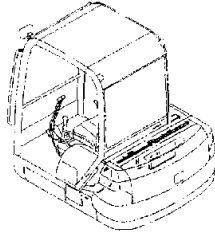


ITEM	PART NUMBER	PART NAME	QTY	SERIAL NO
21	4600969	RUBBER	1	002001 -
22	4600974	RUBBER	1	002001 -
23	4600977	RUBBER	1	002001 -
24	4600980	RUBBER	1	002001 -
25	4600992	RUBBER	1	002001 -
26	4489250	RUBBER	1	002001 -
30	4600998	RUBBER	1	002001 -
32	4488987	RUBBER	2	002001 -
36	4602038	RUBBER	1	002001 -

117

カバー (2-2)
COVER (2-2)

通用号機 002001-
Serial No.



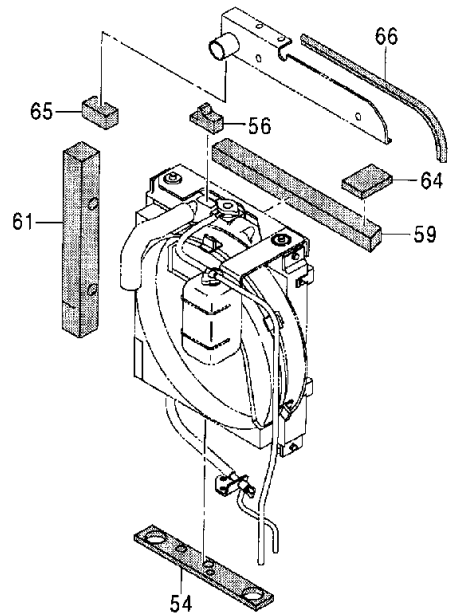
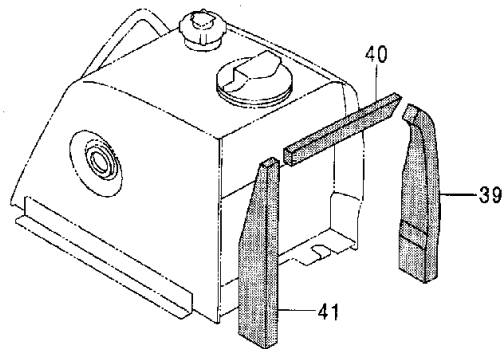
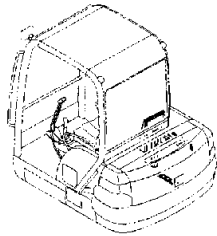
ITEM	PART NUMBER	PART NAME	QTY	SERIAL NO
39	4346913	RUBBER	1	002001 -
40	4357437	RUBBER	1	002001 -
41	4346915	RUBBER	1	002001 -
54	4476858	RUBBER	1	002001 -
56	4607394	RUBBER	1	002001 -
59	4601109	RUBBER	1	002001 -
61	4601114	RUBBER	1	002001 -
64	4602799	RUBBER	1	002001 -
65	4601115	RUBBER	1	002001 -
66	4601116	WEATHER-STRIP	1	002001 -

P1LU-1-2_118-0

118

カバー (2-3)
COVER (2-3)

適用号機 002001-
Serial No.



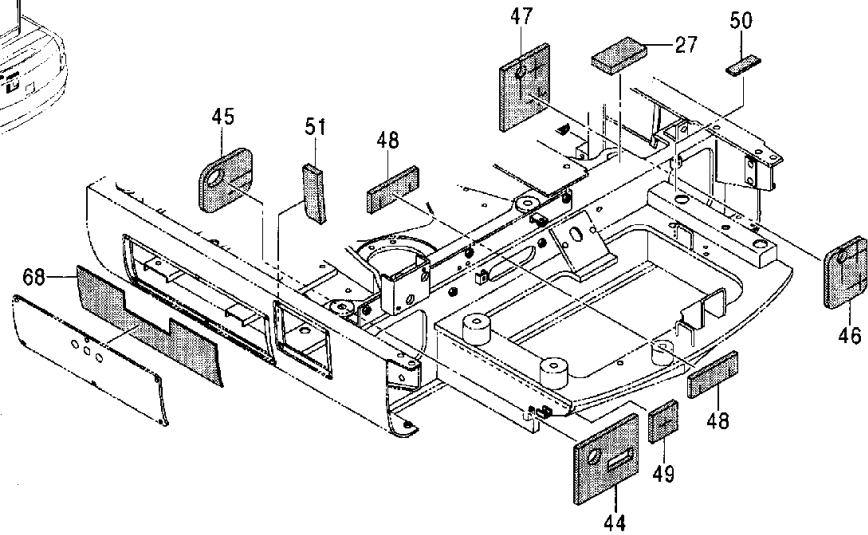
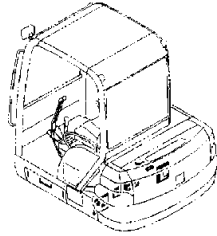
81**COVER (2-4) S/N 002001 -****P1LU-1-2****81**

ITEM	PART NUMBER	PART NAME	QTY	SERIAL NO
27	4607392	RUBBER	1	002001 -
44	4601081	RUBBER	1	002001 -
45	4601083	RUBBER	1	002001 -
46	4601103	RUBBER	1	002001 -
47	4601104	RUBBER	1	002001 -
48	4601105	RUBBER	2	002001 -
49	4601106	RUBBER	1	002001 -
50	4607391	RUBBER	1	002001 -
51	4603108	RUBBER	1	002001 -
68	4612537	RUBBER	1	002001 -

119

カバー (2-4)
COVER (2-4)

適用号機 002001-
Serial No.



82

COVER (2-5) <40> S/N 002001 -

P1LU-1-2

82

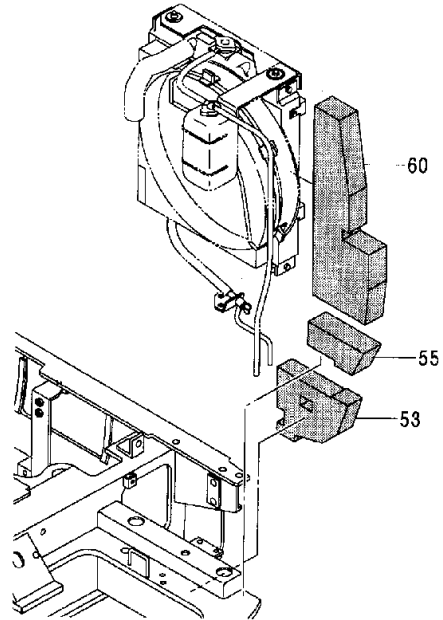
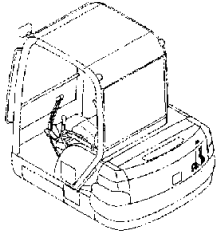
ITEM	PART NUMBER	PART NAME	QTY	SERIAL NO
53	4601107	RUBBER	1	002001 -
55	4601108	RUBBER	1	002001 -
60	4601110	RUBBER	1	002001 -

P1LU-1-2_120-0

120

カバー (2-5) <40>
COVER (2-5) <40>

適用号機 002001-
Serial No.



83

COVER (2-5) <50> S/N 002001 -

P1LU-1-2

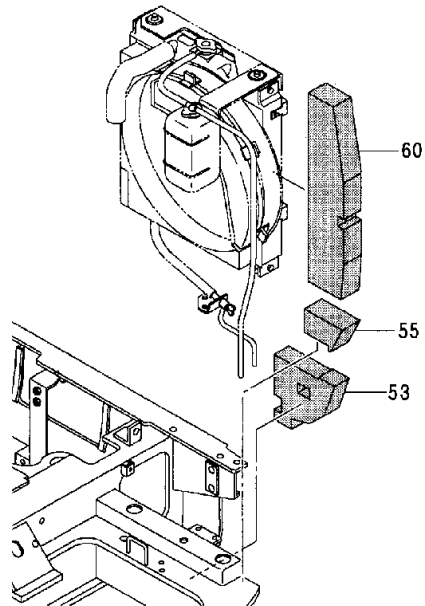
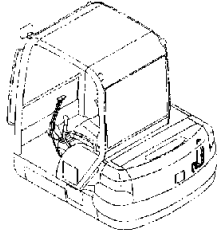
83

ITEM	PART NUMBER	PART NAME	QTY	SERIAL NO
53	4601248	RUBBER	1	002001 -
55	4601252	RUBBER	1	002001 -
60	4601255	RUBBER	1	002001 -

121

カバー (2-5) <50>
COVER (2-5) <50>

適用号機 002001-
Serial No.



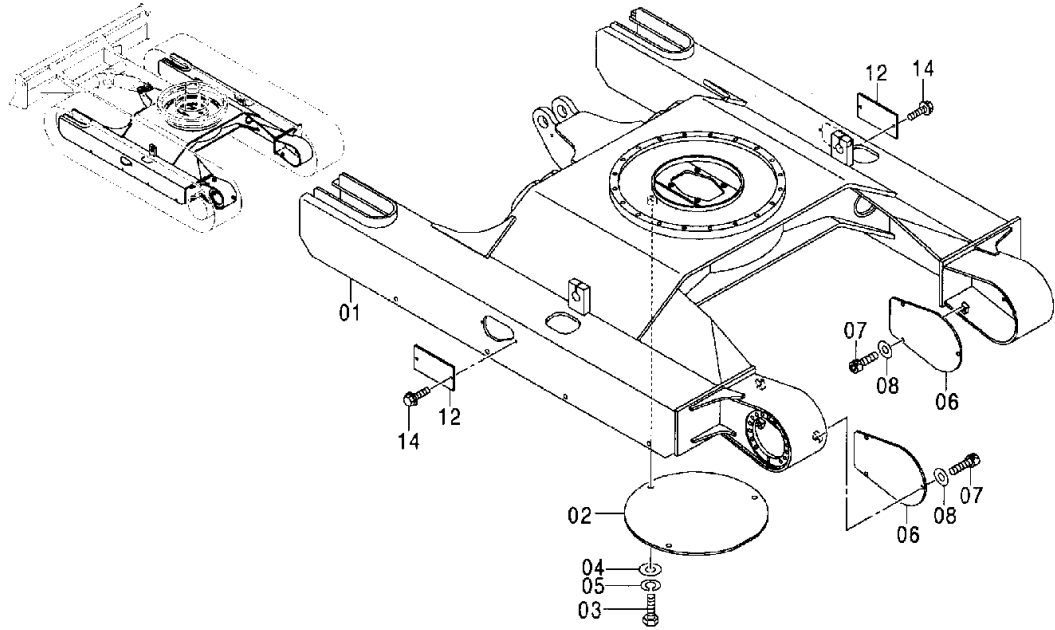
ITEM	PART NUMBER	PART NAME	QTY	SERIAL NO
01	5008664	FRAME;TRACK	1	002001 -
02	4365090	COVER	1	002001 -
03	J971220	BOLT	3	002001 -
				002001 -
03	J901225	BOLT	3	002001 -
04	J254012	WASHER	3	002001 -
04	J222012	WASHER	3	002001 -
05	A590912	WASHER;SPRING	3	002001 -
06	4392163	COVER	2	002001 -
07	J771025	BOLT;SOCKET	6	002001 -
07	J781025	BOLT;SOCKET	6	002001 -
08	J254010	WASHER	6	002001 -
08	J222010	WASHER	6	002001 -
12	4475138	PLATE	2	002001 -
14	J090820	BOLT;SEMS	4	002001 -
14	J260820	BOLT;SEMS	4	002001 -
				002001 -

P1LU-1-2_122-0

122

トラックフレーム
TRACK FRAME

適用号機 002001-
Serial No.

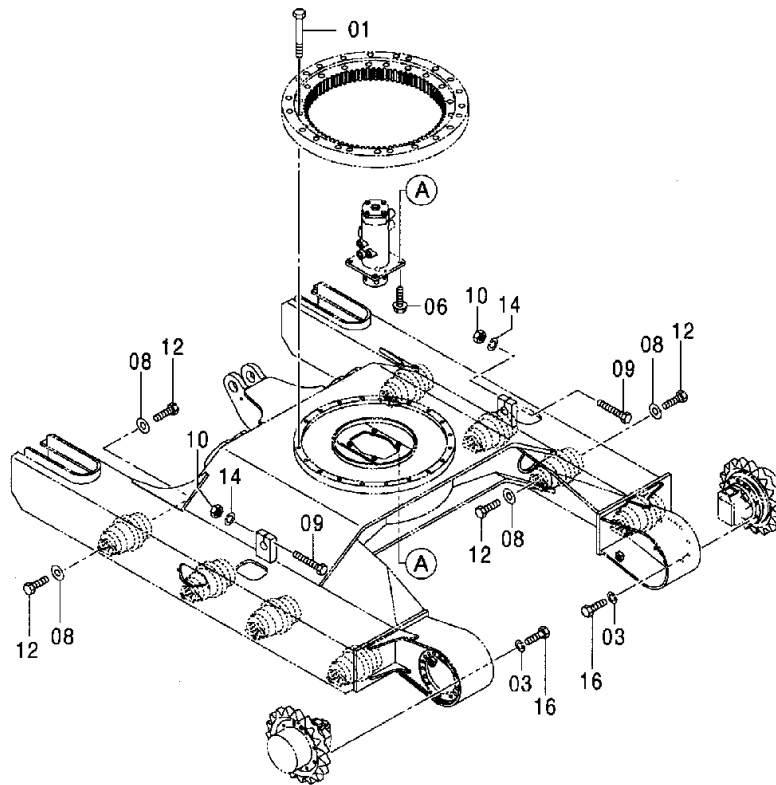
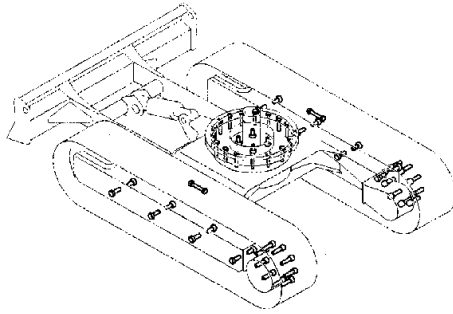


ITEM	PART NUMBER	PART NAME	QTY	SERIAL NO
01	J981280	BOLT	20	002001 -
01	J921280	BOLT	20	002001 -
03	J252212	WASHER;SPRING	26	002001 -
03	A590912	WASHER;SPRING	26	002001 -
06	J041030	BOLT;SEMS	4	002001 -
06	J271030	BOLT;SEMS	4	002001 -
				002001 -
				002001 -
06	4609015	BOLT;SEMS	4	002001 -
				002001 -
08	J254018	WASHER	16	002001 -
08	J222018	WASHER	16	002001 -
09	J971480	BOLT	2	002001 -
09	J901480	BOLT	2	002001 -
10	J231214	NUT	2	002001 -
10	J950014	NUT	2	002001 -
12	J981840	BOLT	16	002001 -
				002001 -
12	4323607	BOLT	16	002001 -
				002001 -
14	J252214	WASHER;SPRING	2	002001 -
14	A590914	WASHER;SPRING	2	002001 -
16	4393030	BOLT	26	002001 -

123

ボルトキット
BOLT KIT

適用号機 002001-
Serial No.



86

SWING BEARING S/N 002001 -

P1LU-1-2

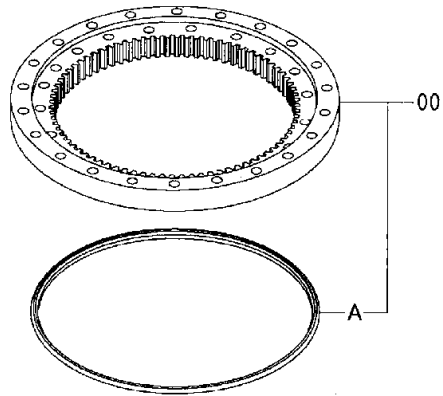
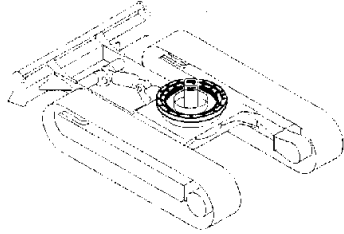
86

ITEM	PART NUMBER	PART NAME	QTY	SERIAL NO
00	4600120	BRG.;SWINGCIRCL	1	002001 -
00A	4345371	SEAL	1	002001 -

125

旋回輪
SWING BEARING

適用号機 002001-
Serial No.



87

TRAVEL DEVICE S/N 002001 -

P1LU-1-2

87

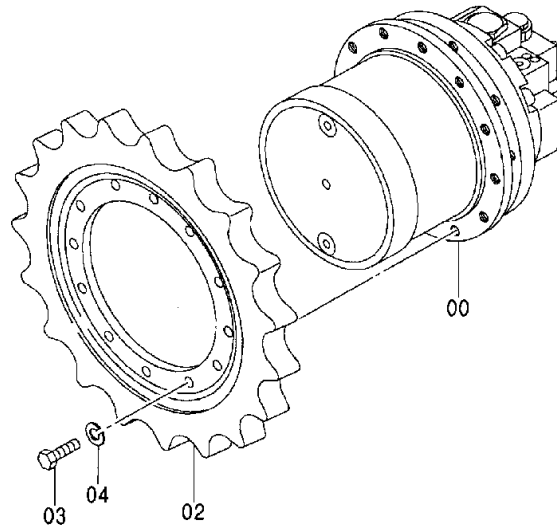
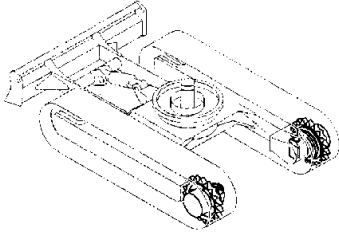
ITEM	PART NUMBER	PART NAME	QTY	SERIAL NO
	9171430	TRAVEL DEVICE ASS'Y	2	002001 -
00	4403500	MOTOR;OIL	1	002001 -
02	2041567	SPROCKET	1	002001 -
03	4602010	BOLT	12	002001 -
04	A590912	WASHER;SPRING	12	002001 -

P1LU-1-2_126-0

126

走行装置
TRAVEL DEVICE

適用号機 002001-
Serial No.

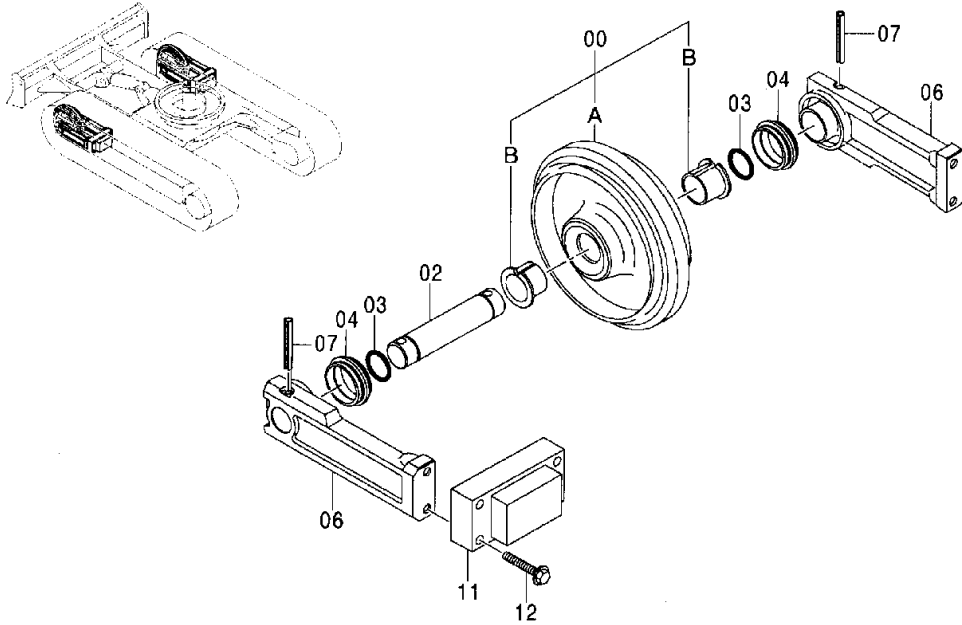


ITEM	PART NUMBER	PART NAME	QTY	SERIAL NO
	9163767	FRONT IDLER	2	002001 -
00	9106673	IDLER	1	002001 -
00A	1017139	IDLER	1	002001 -
00B	3058188	BUSHING	2	002001 -
02	3058189	AXLE	1	002001 -
03	A810035	O-RING	2	002001 -
04	4177260	SEAL;GROUP	2	002001 -
06	1017138	YOKE	2	002001 -
07	4144030	PIN;SPRING	2	002001 -
11	4323080	PLATE	1	002001 -
12	J041260	BOLT;SEMS	4	002001 -
12	J271260	BOLT;SEMS	4	002001 -
				002001 -

127

フロントアイドラ
FRONT IDLER

適用号機 002001-
Serial No.



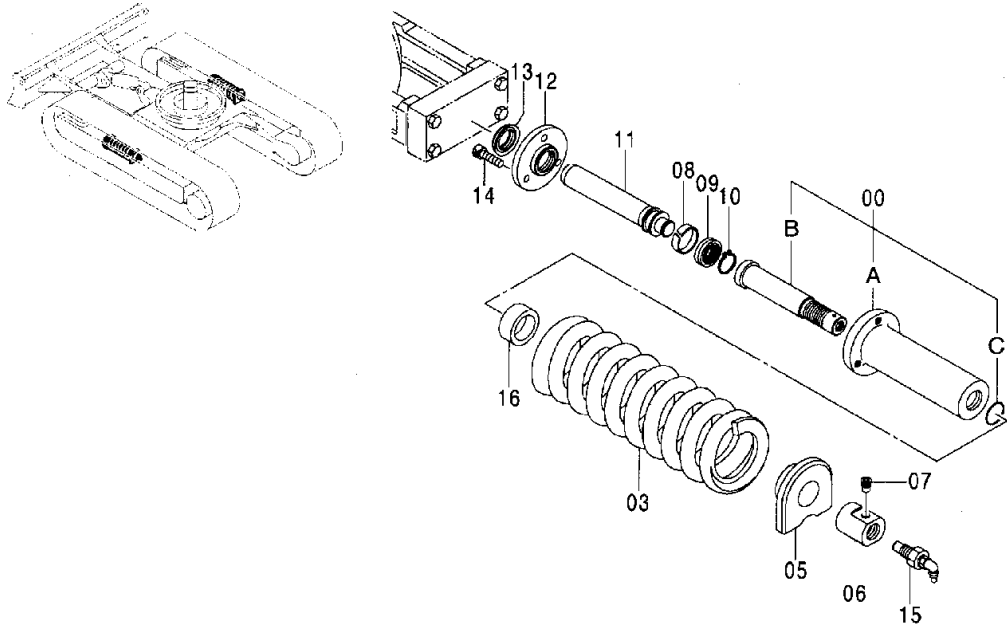
ITEM	PART NUMBER	PART NAME	QTY	SERIAL NO
	9180330	ADJUSTER ASSY	2	002001 -
00	9180329	CYL. ASSY	1	002001 -
00A	3085800	CYL.	1	002001 -
00B	3058196	ROD	1	002001 -
00C	955020	O-RING	1	002001 -
03	3085801	SPRING	1	002001 -
05	4324332	WASHER	1	002001 -
06	4285040	NUT	1	002001 -
07	4276113	PLUG	1	002001 -
08	4324333	RING;WEAR	1	002001 -
09	4324334	PACKING;U-RING	1	002001 -
10	4235202	RING;RETAINING	1	002001 -
11	3066843	ROD;PISTON	1	002001 -
12	3066842	FLANGE	1	002001 -
13	4324335	SEAL;DUST	1	002001 -
14	M340820	BOLT;SOCKET	3	002001 -
15	4276114	VALVE	1	002001 -
16	4323076	SPACER	1	002001 -

P1LU-1-2_128-0

128

アジャスタ (ゴムクローラ)
ADJUSTER (RUBBER CRAWLER)

適用号機 002001-
Serial No.



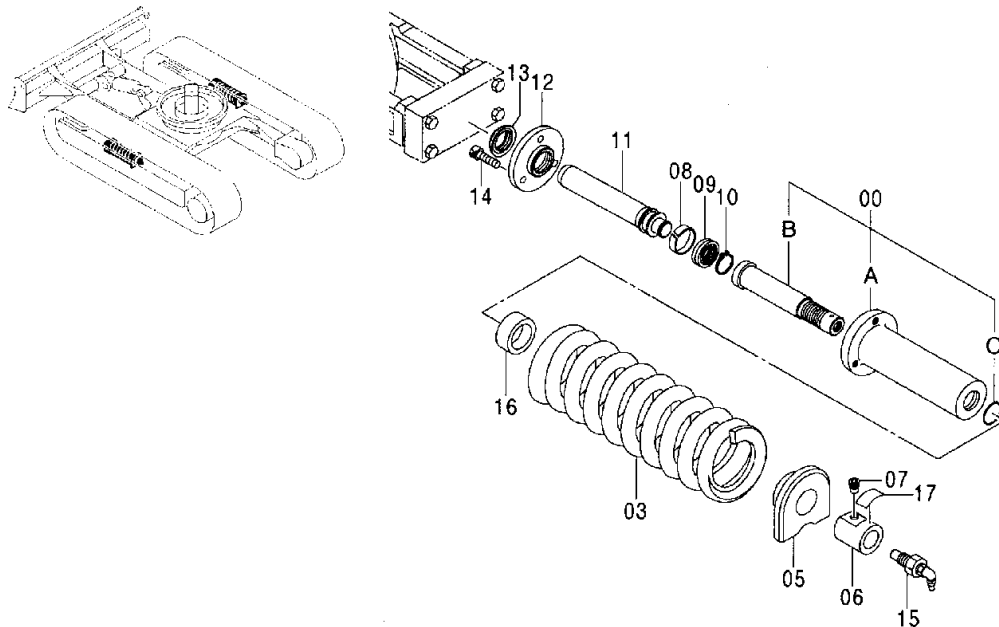
ITEM	PART NUMBER	PART NAME	QTY	SERIAL NO
	9180331	ADJUSTER ASSY	2	002001 -
00	9180329	CYL. ASSY	1	002001 -
00A	3085800	CYL.	1	002001 -
00B	3058196	ROD	1	002001 -
00C	955020	O-RING	1	002001 -
03	3085801	SPRING	1	002001 -
05	4324332	WASHER	1	002001 -
06	4285040	NUT	1	002001 -
07	4276113	PLUG	1	002001 -
08	4324333	RING;WEAR	1	002001 -
09	4324334	PACKING;U-RING	1	002001 -
10	4235202	RING;RETAINING	1	002001 -
11	3066843	ROD;PISTON	1	002001 -
12	3066842	FLANGE	1	002001 -
13	4324335	SEAL;DUST	1	002001 -
14	M340820	BOLT;SOCKET	3	002001 -
15	4276114	VALVE	1	002001 -
16	4323076	SPACER	1	002001 -
17	4297719	NAME-PLATE	1	002001 -

P1LU-1-2_129-0

129

アジャスタ (鉄クローラ)
ADJUSTER (STEEL CRAWLER)

適用号機 002001-
Serial No.



91

UPPER ROLLER S/N 002001 -

P1LU-1-2

91

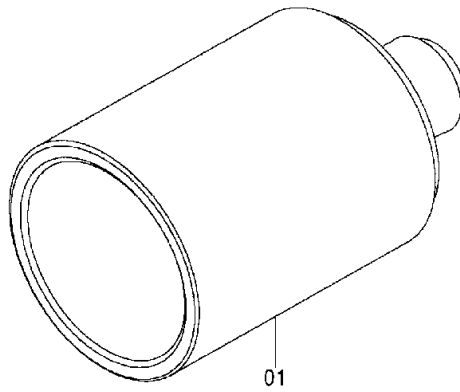
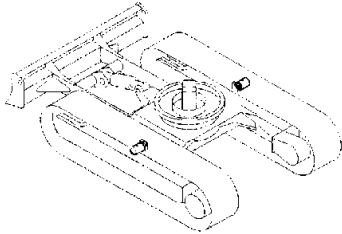
ITEM	PART NUMBER	PART NAME	QTY	SERIAL NO
01	4392416	ROLLER;UPPER	2	002001 -

P1LU-1-2_130-0

130

上ローラ
UPPER ROLLER

通用号機 002001-
Serial No.



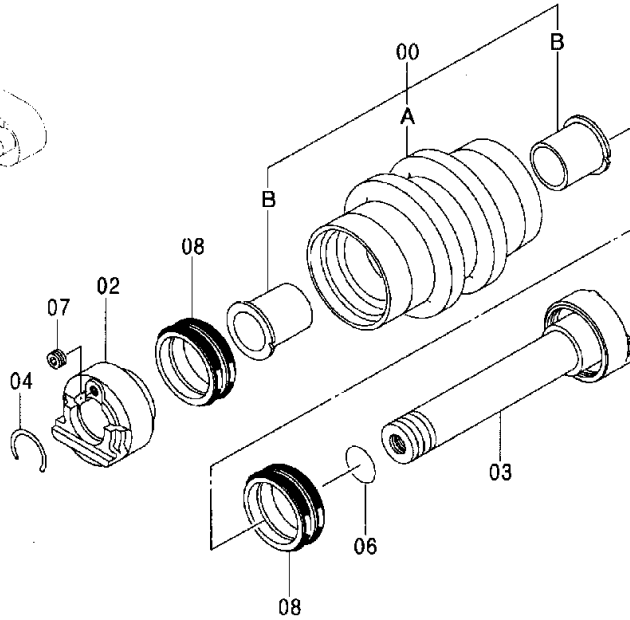
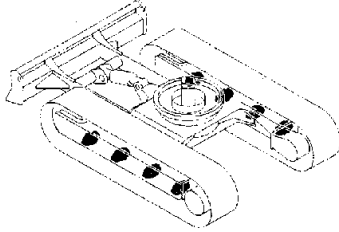
01

ITEM	PART NUMBER	PART NAME	QTY	SERIAL NO
	4357785	LOWER ROLLER ASS'Y	8	002001 -
00	4362218	ROLLER;LOWER ASS'Y	1	002001 -
00A	4362219	ROLLER	1	002001 -
00B	3048155	BUSHING	2	002001 -
02	2032636	COLLAR	1	002001 -
03	4362220	AXLE ASS'Y	1	002001 -
04	4285035	RING;STOPPER	1	002001 -
06	A810030	O-RING	1	002001 -
07	94-2010	PLUG	1	002001 -
08	4243325	SEAL;GROUP	2	002001 -

131

下ローラ
LOWER ROLLER

適用号機 002001-
Serial No.



93

RUBBER CRAWLER S/N 002001 -

P1LU-1-2

93

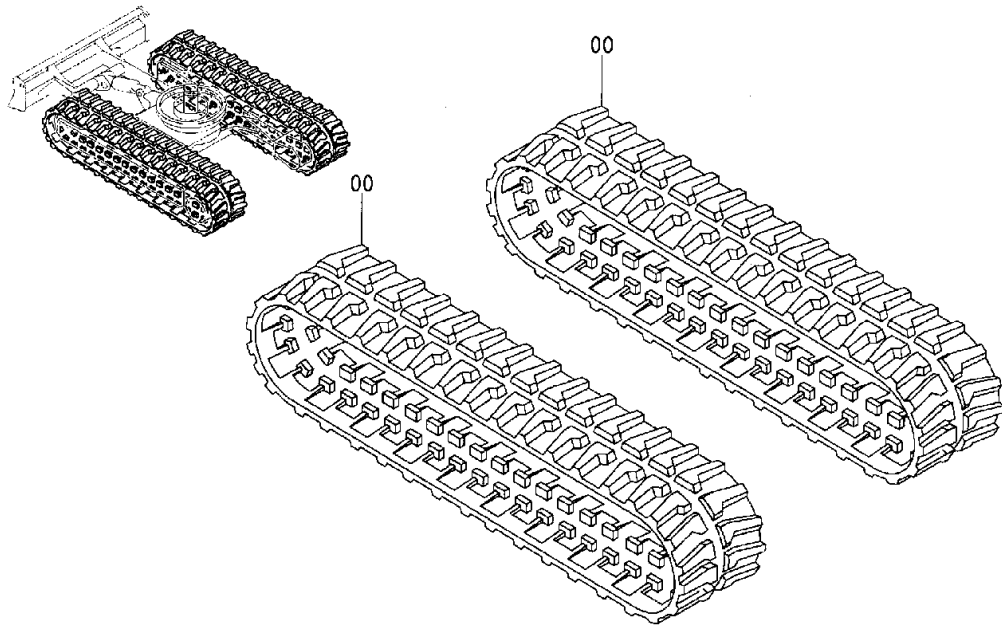
ITEM	PART NUMBER	PART NAME	QTY	SERIAL NO
00	4405641	SHOE ASS'Y	2	002001 - 002001 -
00	4643028	SHOE ASS'Y	2	002001 - 002001 -

P1LU-1-2_132-0

132

ゴムクローラ
RUBBER CRAWLER

適用号機 002001-
Serial No.

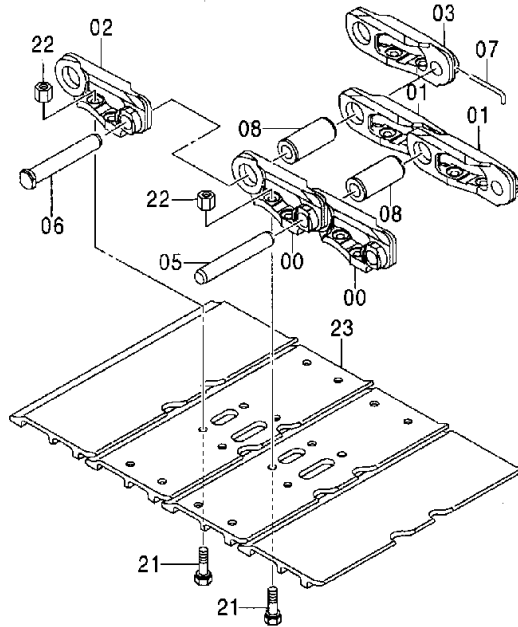
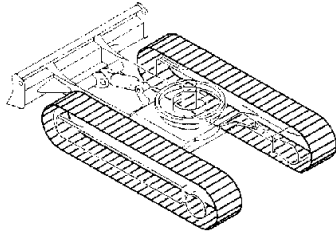


ITEM	PART NUMBER	PART NAME	QTY	SERIAL NO
	9132311	TRACK-LINK ASS'Y	2	002001 -
00-08	9087953	TRACK-LINK ASS'Y	1	002001 -
00	1013767	TRACK-LINK	37	002001 -
01	1013766	TRACK-LINK	37	002001 -
02	3046601	TRACK-LINK;M	1	002001 -
03	3046600	TRACK-LINK;M	1	002001 -
05	4243515	PIN;TRACK	37	002001 -
06	3046602	PIN;MASTER	1	002001 -
07	4243516	PIN	1	002001 -
08	4265825	BUSHING	38	002001 -
21	4243587	BOLT;SHOE	152	002001 -
22	4243588	NUT	152	002001 -
23	2036381	SHOE;GROUSER	38	002001 -

133

トラックリンク 400G
TRACK-LINK 400G

適用号機 002001-
Serial No.



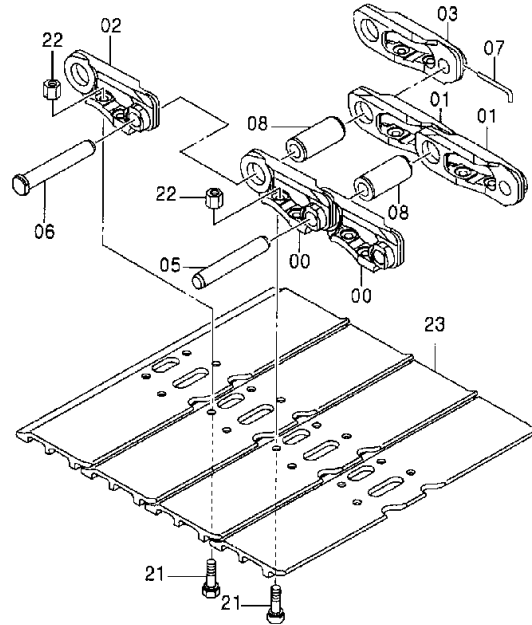
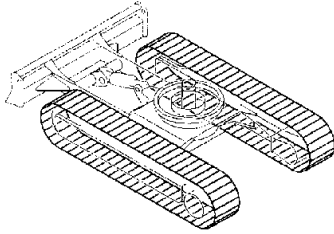
ITEM	PART NUMBER	PART NAME	QTY	SERIAL NO
	9099387	TRACK-LINK ASS'Y	2	002001 -
00-08	9087953	TRACK-LINK ASS'Y	1	002001 -
00	1013767	TRACK-LINK	37	002001 -
01	1013766	TRACK-LINK	37	002001 -
02	3046601	TRACK-LINK;M	1	002001 -
03	3046600	TRACK-LINK;M	1	002001 -
05	4243515	PIN;TRACK	37	002001 -
06	3046602	PIN;MASTER	1	002001 -
07	4243516	PIN	1	002001 -
08	4265825	BUSHING	38	002001 -
21	4243587	BOLT;SHOE	152	002001 -
22	4243588	NUT	152	002001 -
23	2031230	SHOE;GROUSER	38	002001 -

P1LU-1-2_134-0

134

トラックリンク 550G
TRACK-LINK 550G

通用号機 002001-
Serial No.

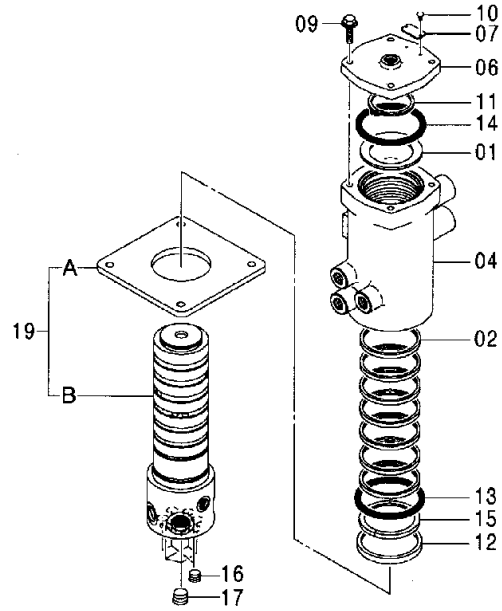
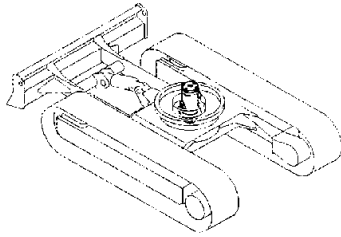


ITEM	PART NUMBER	PART NAME	QTY	SERIAL NO
	4403534	JOINT;CENTER	1	002001 -
01	4271952	RING	1	002001 -
02	4288000	SEAL;OIL	7	002001 -
04	0730901	BODY	1	002001 -
06	0730902	COVER	1	002001 -
07	+++++++	NAME-PLATE	1	002001 -
09	0730903	BOLT	4	002001 -
10	M492564	SCREW;DRIVE	2	002001 -
11	960323	RING;RETAINING	1	002001 -
12	4278582	SEAL;DUST	1	002001 -
13	4098435	O-RING	1	002001 -
14	A810085	O-RING	1	002001 -
15	4075674	RING;BACK-UP	1	002001 -
16	94-2011	PLUG	3	002001 -
17	94-2012	PLUG	4	002001 -
19	0730904	SHAFT;ASS'Y	1	002001 -
19A	+++++++	FLANGE	1	002001 -
19B	+++++++	SHAFT	1	002001 -

135

センタジョイント
CENTER JOINT

適用号機 002001-
Serial No.

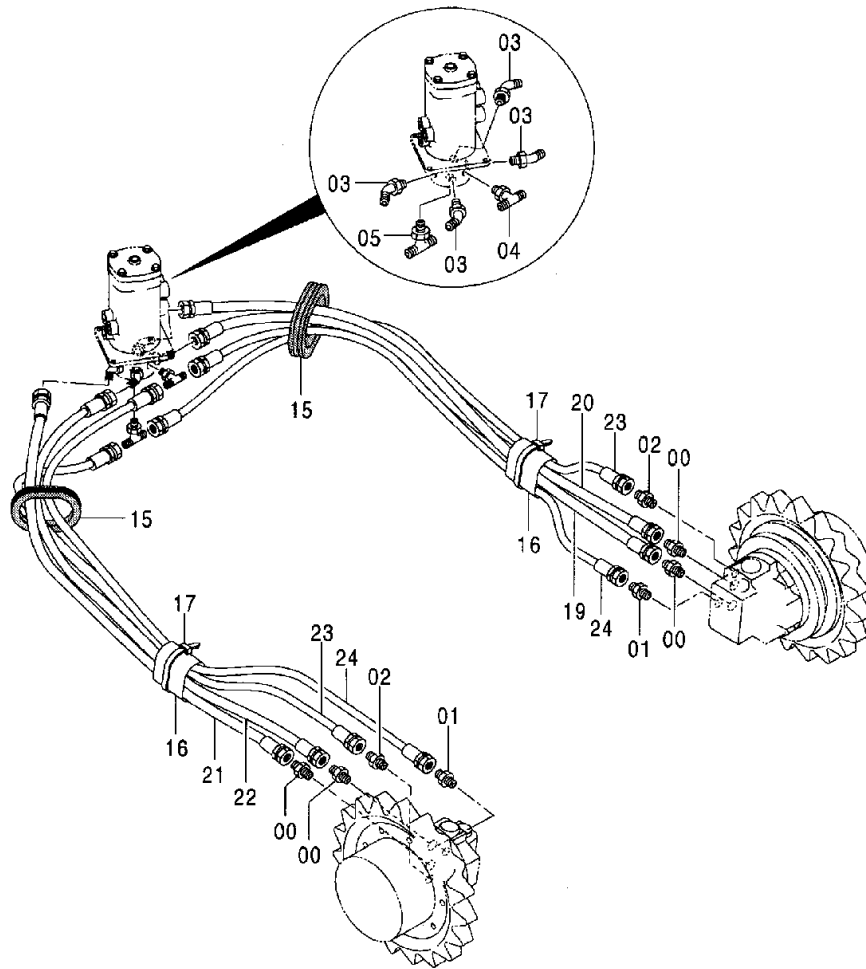
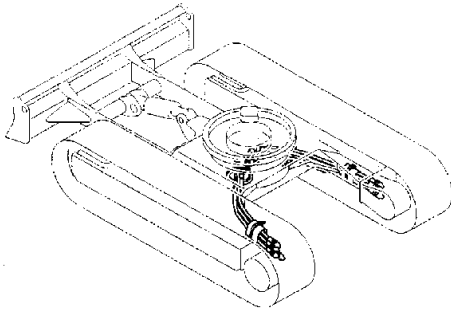


ITEM	PART NUMBER	PART NAME	QTY	SERIAL NO
00	4042032	ADAPTER	4	002001 -
00A	4506418	O-RING	1	002001 -
01	4042030	ADAPTER	2	002001 -
01A	957366	O-RING	1	002001 -
02	4368205	ADAPTER;S	2	002001 -
02A	957366	O-RING	1	002001 -
03	4081336	ELBOW;S	4	002001 -
03A	4506418	O-RING	1	002001 -
04	4368218	TEE;S	1	002001 -
04A	957366	O-RING	1	002001 -
05	4406059	TEE;S	1	002001 -
05A	957366	O-RING	1	002001 -
15	4365863	BUSHING;RUBBER	2	002001 -
16	4279255	COVER	2	002001 -
17	4121859	CLIP;BAND	2	002001 -
19	4413781	HOSE	1	002001 -
20	4413782	HOSE	1	002001 -
21	4413783	HOSE	1	002001 -
22	4413784	HOSE	1	002001 -
23	4426425	HOSE;PLASTIC	2	002001 -
24	4426426	HOSE	2	002001 -

137

走行配管
TRAVEL PIPING

適用号機 002001-
Serial No.

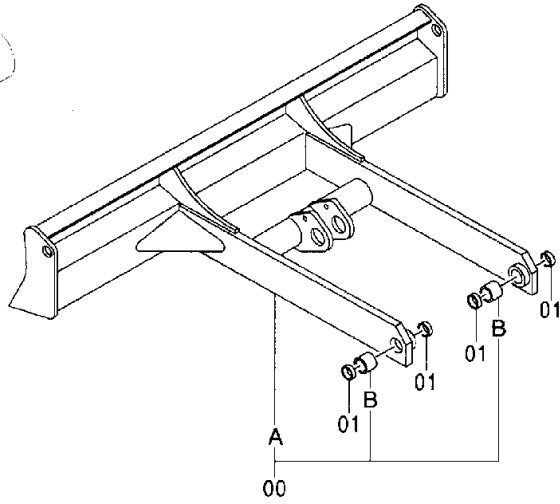
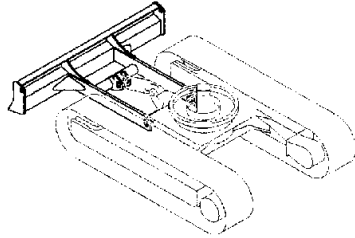


ITEM	PART NUMBER	PART NAME	QTY	SERIAL NO
	9224057	BLADE	1	002001 -
00	8091530	BLADE	1	002001 -
00A	6021700	BLADE	1	002001 -
00B	4340369	BUSHING	2	002001 -
01	4117955	SEAL;DUST	4	002001 -

139

ブレード
BLADE

適用号機 002001-
Serial No.



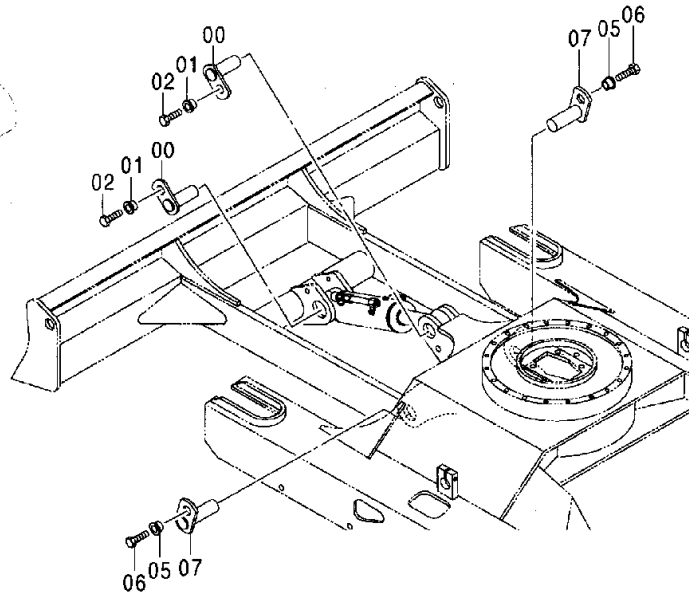
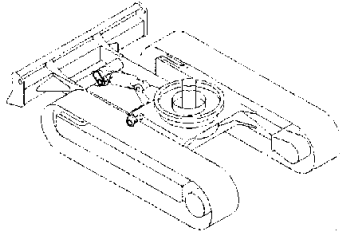
ITEM	PART NUMBER	PART NAME	QTY	SERIAL NO
00	9758101	PIN	2	002001 -
01	4339355	BUSHING	2	002001 -
02	J971435	BOLT	2	002001 -
02	J901435	BOLT	2	002001 -
05	4339355	BUSHING	2	002001 -
06	J971435	BOLT	2	002001 -
06	J901435	BOLT	2	002001 -
07	9758091	PIN	2	002001 -

P1LU-1-2_140-0

140

ブレード用品
BLADE PARTS

適用号機 002001-
Serial No.



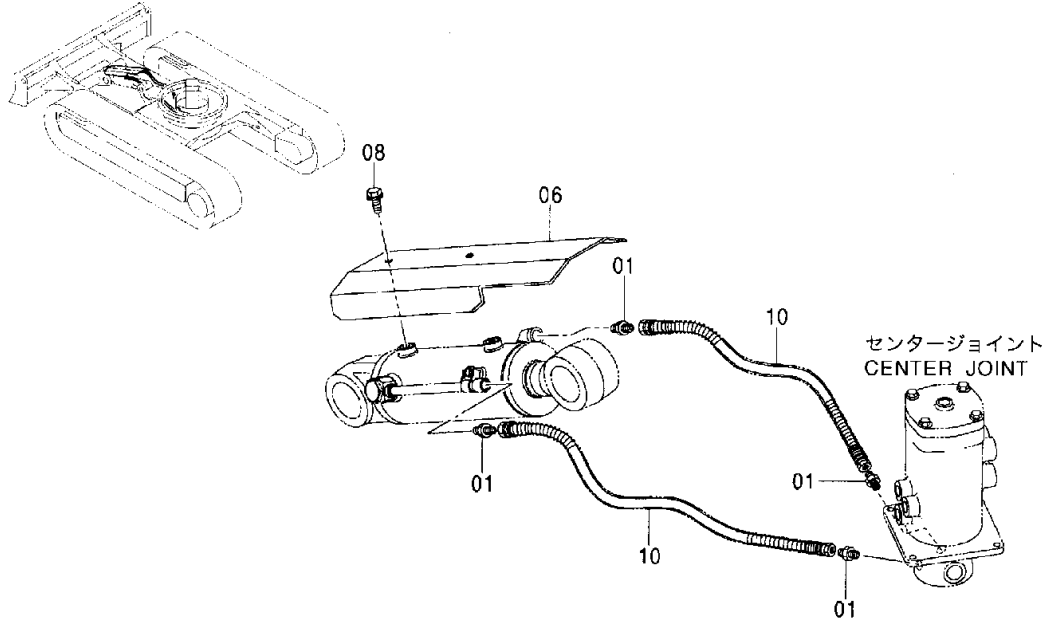
100	BLADE PIPING S/N 002001 -	P1LU-1-2	100
------------	----------------------------------	-----------------	------------

ITEM	PART NUMBER	PART NAME	QTY	SERIAL NO
01	4042031	ADAPTER	4	002001 -
01A	4509180	O-RING	1	002001 -
06	3080414	COVER	1	002001 -
08	J051020	BOLT;SEMS	2	002001 -
08	J271016	BOLT;SEMS	2	002001 -
				002001 -
10	4426421	HOSE	2	002001 -

141

プレート配管
BLADE PIPING

適用号機 002001-
Serial No.



101	BLADE CYLINDER S/N 002001 -	P1LU-1-2 101
-----	-----------------------------	--------------

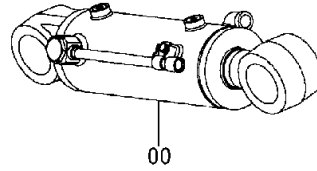
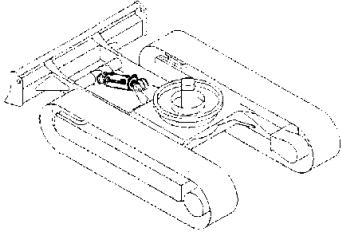
ITEM	PART NUMBER	PART NAME	QTY	SERIAL NO
	9229500	BLADE CYL.	1	002001 -
00	4601912	CYL.;BLADE	1	002001 -

P1LU-1-2_142-0

142

ブレードシリンダ
BLADE CYLINDER

適用号機 002001-
Serial No.

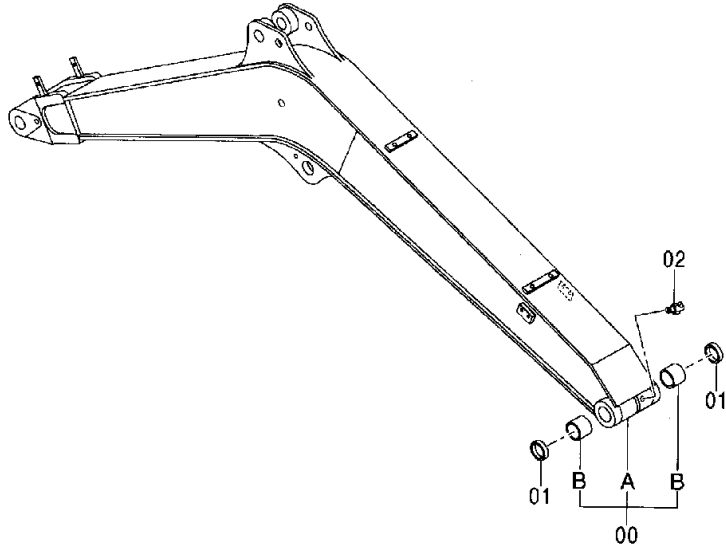
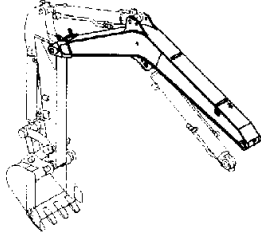


ITEM	PART NUMBER	PART NAME	QTY	SERIAL NO
	9221967	BOOM	1	002001 -
00	8090743	BOOM	1	002001 -
00A	6021531	BOOM	1	002001 -
00B	4353835	BUSHING	2	002001 -
01	4246939	SEAL;DUST	2	002001 -
02	J75581	FITTING;GREASE	1	002001 -

143

ブーム <40>
BOOM <40>

適用号機 002001-
Serial No.



103	BOOM <50> S/N 002001 -	P1LU-1-2 103
-----	------------------------	--------------

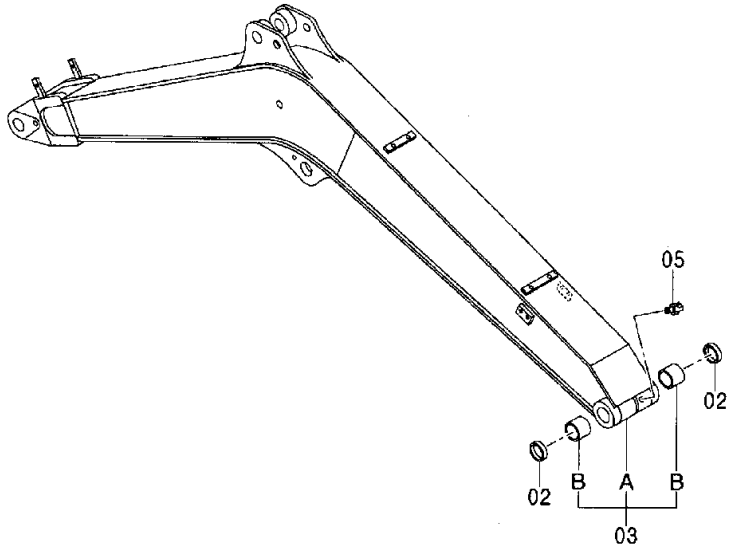
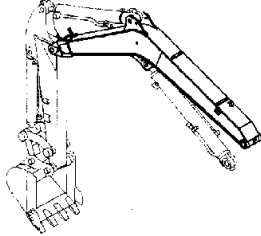
ITEM	PART NUMBER	PART NAME	QTY	SERIAL NO
	9221515	BOOM	1	002001 -
02	4246939	SEAL;DUST	2	002001 -
03	8090548	BOOM	1	002001 -
03A	6021408	BOOM	1	002001 -
03B	4353835	BUSHING	2	002001 -
05	J75581	FITTING;GREASE	1	002001 -

P1LU-1-2_144-0

144

ブーム <50>
BOOM <50>

適用号機 002001-
Serial No.

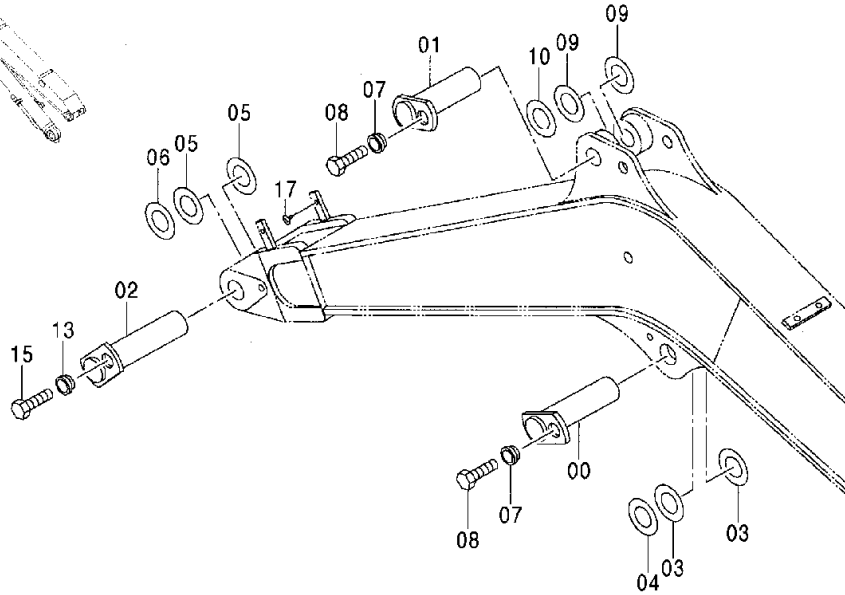
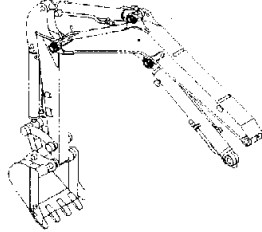


ITEM	PART NUMBER	PART NAME	QTY	SERIAL NO
00	9758097	PIN	1	002001 -
01	9758099	PIN	1	002001 -
02	9758098	PIN	1	002001 -
03	4355653	SHIM 0.5	2	002001 -
04	4355659	SHIM 0.8	1	002001 -
05	4353803	SHIM 0.5	2	002001 -
06	4355599	SHIM 0.8	1	002001 -
07	4339355	BUSHING	2	002001 -
08	J971435	BOLT	2	002001 -
08	J901435	BOLT	2	002001 -
09	4354256	SHIM 0.5	2	002001 -
10	4354257	SHIM 0.8	1	002001 -
13	4353804	BUSHING	1	002001 -
15	J981845	BOLT	1	002001 -
15	J921845	BOLT	1	002001 -
17	4387681	PLUG	6	002001 -

145

ブーム用品
BOOM PARTS

通用号機 002001-
Serial No.

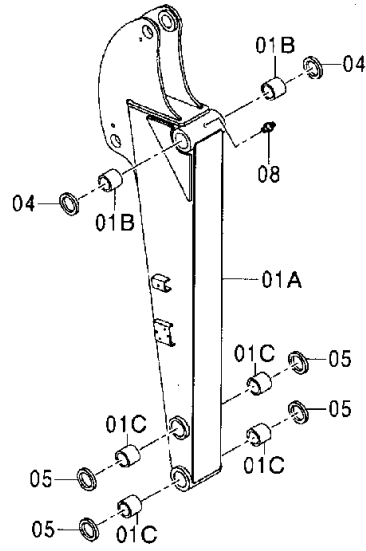
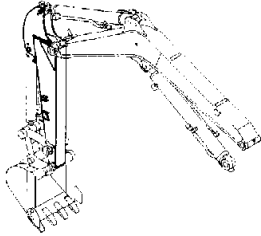


105	ARM 1.46M <40> S/N 002001 -	P1LU-1-2 105
-----	-----------------------------	--------------

ITEM	PART NUMBER	PART NAME	QTY	SERIAL NO
	9222467	ARM	1	002001 -
01A-C	8090913	ARM	1	002001 -
01A	6021573	ARM	1	002001 -
01B	4353835	BUSHING	2	002001 -
01C	4340369	BUSHING	4	002001 -
04	4246939	SEAL;DUST	2	002001 -
05	4117955	SEAL;DUST	4	002001 -
08	J75481	FITTING;GREASE	1	002001 -

アーム 1.46M <40>
ARM 1.46M <40>

通用号機 002001-
Serial No.



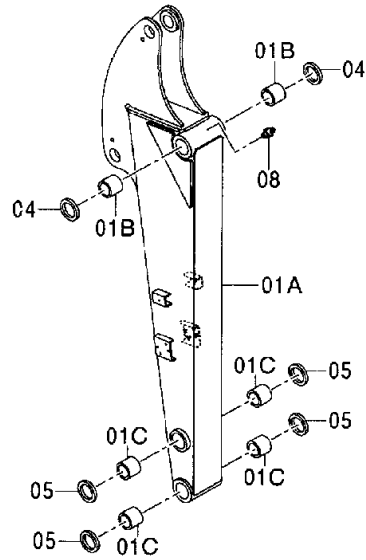
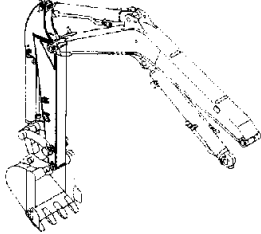
106	ARM 1.50M <50> S/N 002001 -	P1LU-1-2 106
-----	-----------------------------	--------------

ITEM	PART NUMBER	PART NAME	QTY	SERIAL NO
	9221518	ARM	1	002001 -
01	8090607	ARM	1	002001 -
01A	6021409	ARM	1	002001 -
01B	4353835	BUSHING	2	002001 -
01C	4340369	BUSHING	4	002001 -
04	4246939	SEAL;DUST	2	002001 -
05	4117955	SEAL;DUST	4	002001 -
08	J75481	FITTING;GREASE	1	002001 -

147

アーム 1.50M <50>
ARM 1.50M <50>

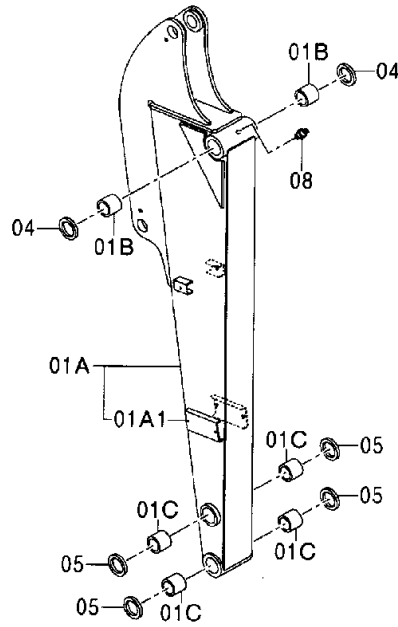
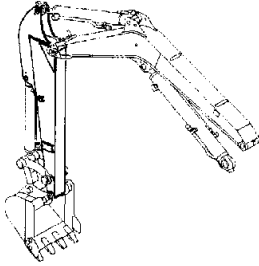
適用号機 002001-
Serial No.



ITEM	PART NUMBER	PART NAME	QTY	SERIAL NO
	9222468	ARM;LONG	1	002001 -
	9248008	ARM;LONG	1	002001 -
01A-C	8090914	ARM;LONG	1	002001 -
01A-C	8099519	ARM;LONG	1	002001 -
01A	6021582	ARM;LONG	1	002001 -
01A	6023483	ARM;LONG	1	002001 -
01A1	+++++++	SEAT;SCREW	2	002001 -
01A1	9763933	SEAT;SCREW	2	002001 -
01B	4353835	BUSHING	2	002001 -
01C	4340369	BUSHING	4	002001 -
04	4246939	SEAL;DUST	2	002001 -
05	4117955	SEAL;DUST	4	002001 -
08	J75481	FITTING;GREASE	1	002001 -

アーム 1.81M <40>
ARM 1.81M <40>

適用号機 002001-
Serial No.

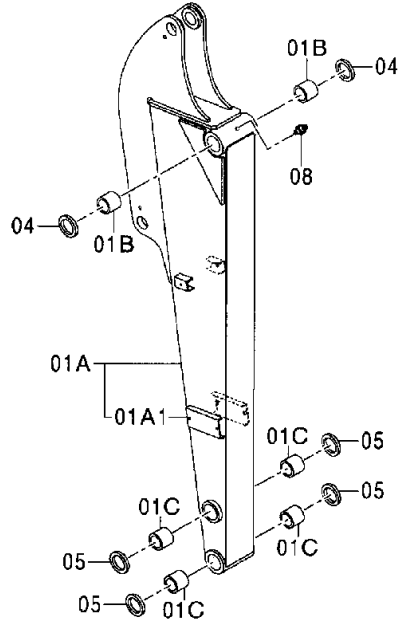
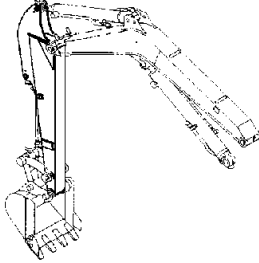


ITEM	PART NUMBER	PART NAME	QTY	SERIAL NO
	9221538	ARM;LONG	1	002001 -
	9248010	ARM;LONG	1	002001 -
01A-C	8090608	ARM;LONG	1	002001 -
01A-C	8099521	ARM;LONG	1	002001 -
01A	6021410	ARM;LONG	1	002001 -
01A	6023485	ARM;LONG	1	002001 -
01A1	+++++++	SEAT;SCREW	2	002001 -
01A1	9763933	SEAT;SCREW	2	002001 -
01B	4353835	BUSHING	2	002001 -
01C	4340369	BUSHING	4	002001 -
04	4246939	SEAL;DUST	2	002001 -
05	4117955	SEAL;DUST	4	002001 -
08	J75481	FITTING;GREASE	1	002001 -

149

アーム 1.85M <50>
ARM 1.85M <50>

適用号機 002001-
Serial No.



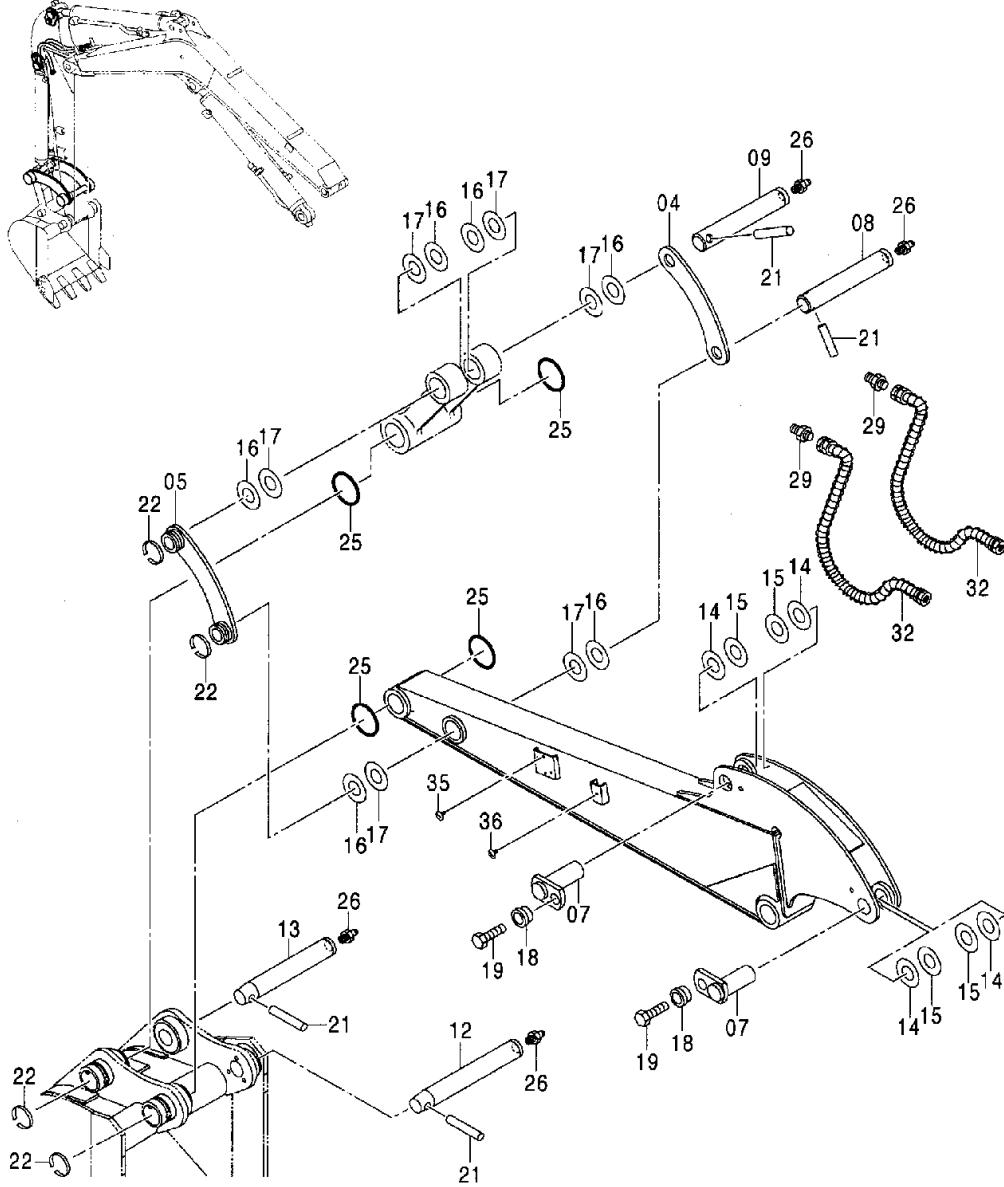
ITEM	PART NUMBER	PART NAME	QTY	SERIAL NO
04	4408804	LINK	1	002001 -
05	8073935	LINK	1	002001 -
07	9758100	PIN	2	002001 -
08	3073147	PIN	1	002001 -
09	3073148	PIN	1	002001 -
12	4605836	PIN	1	002001 -
12	4605837	PIN	1	002001 -
13	4605837	PIN	1	002001 -
14	4334146	SHIM 0.5	4	002001 -
15	4359695	SHIM 1.0	4	002001 -
16	4354256	SHIM 0.5	6	002001 -
17	4354258	SHIM 1.0	6	002001 -
18	4339355	BUSHING	2	002001 -
19	J971435	BOLT	2	002001 -
19	J901435	BOLT	2	002001 -
21	4141001	PIN	4	002001 -
22	4141000	RING	4	002001 -
25	4291436	O-RING	4	002001 -
26	J75481	FITTING;GREASE	4	002001 -
29	4042031	ADAPTER	2	002001 -
29A	4509180	O-RING	1	002001 -
32	4606677	HOSE	2	002001 -
35	4361804	PLUG	8	002001 -
36	4387681	PLUG	2	002001 -

P1LU-1-2_151-0

151

アーム用品 (アーム 1.46M) <40>
ARM PARTS (ARM 1.46M) <40>

適用号機 002001-
Serial No.



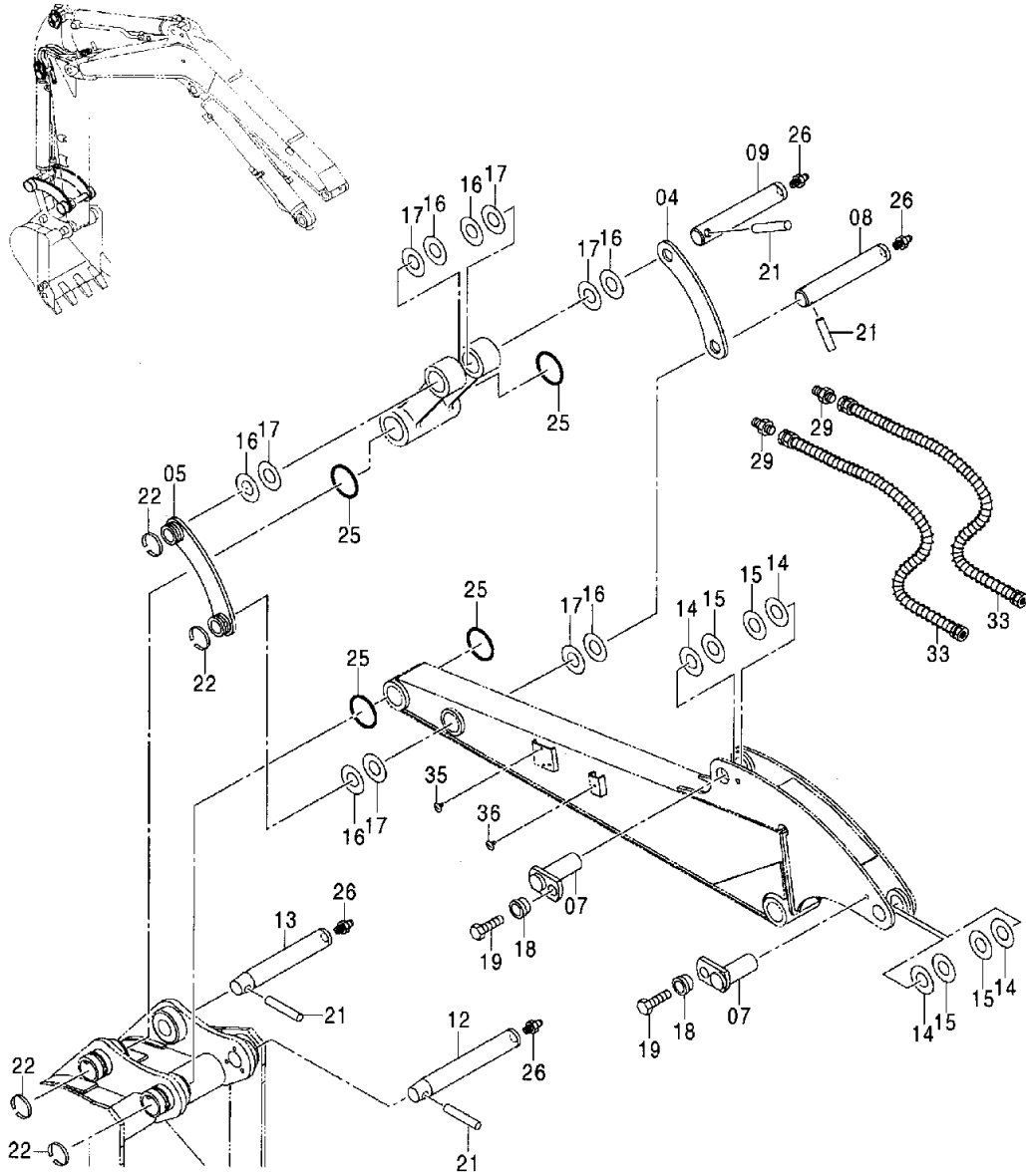
P1LU-1-2

ITEM	PART NUMBER	PART NAME	QTY	SERIAL NO
04	4408804	LINK	1	002001 -
05	8073935	LINK	1	002001 -
07	9758100	PIN	2	002001 -
08	3073147	PIN	1	002001 -
09	3073148	PIN	1	002001 -
12	4605836	PIN	1	002001 -
12	4605837	PIN	1	002001 -
13	4605837	PIN	1	002001 -
14	4334146	SHIM 0.5	4	002001 -
15	4359695	SHIM 1.0	4	002001 -
16	4354256	SHIM 0.5	6	002001 -
17	4354258	SHIM 1.0	6	002001 -
18	4339355	BUSHING	2	002001 -
19	J971435	BOLT	2	002001 -
19	J901435	BOLT	2	002001 -
21	4141001	PIN	4	002001 -
22	4141000	RING	4	002001 -
25	4291436	O-RING	4	002001 -
26	J75481	FITTING;GREASE	4	002001 -
29	4042031	ADAPTER	2	002001 -
29A	4509180	O-RING	1	002001 -
33	4606678	HOSE	2	002001 -
35	4361804	PLUG	8	002001 -
36	4387681	PLUG	2	002001 -

153

アーム用品 (アーム 1.50M) <50>
ARM PARTS (ARM 1.50M) <50>

適用号機 002001-
Serial No.



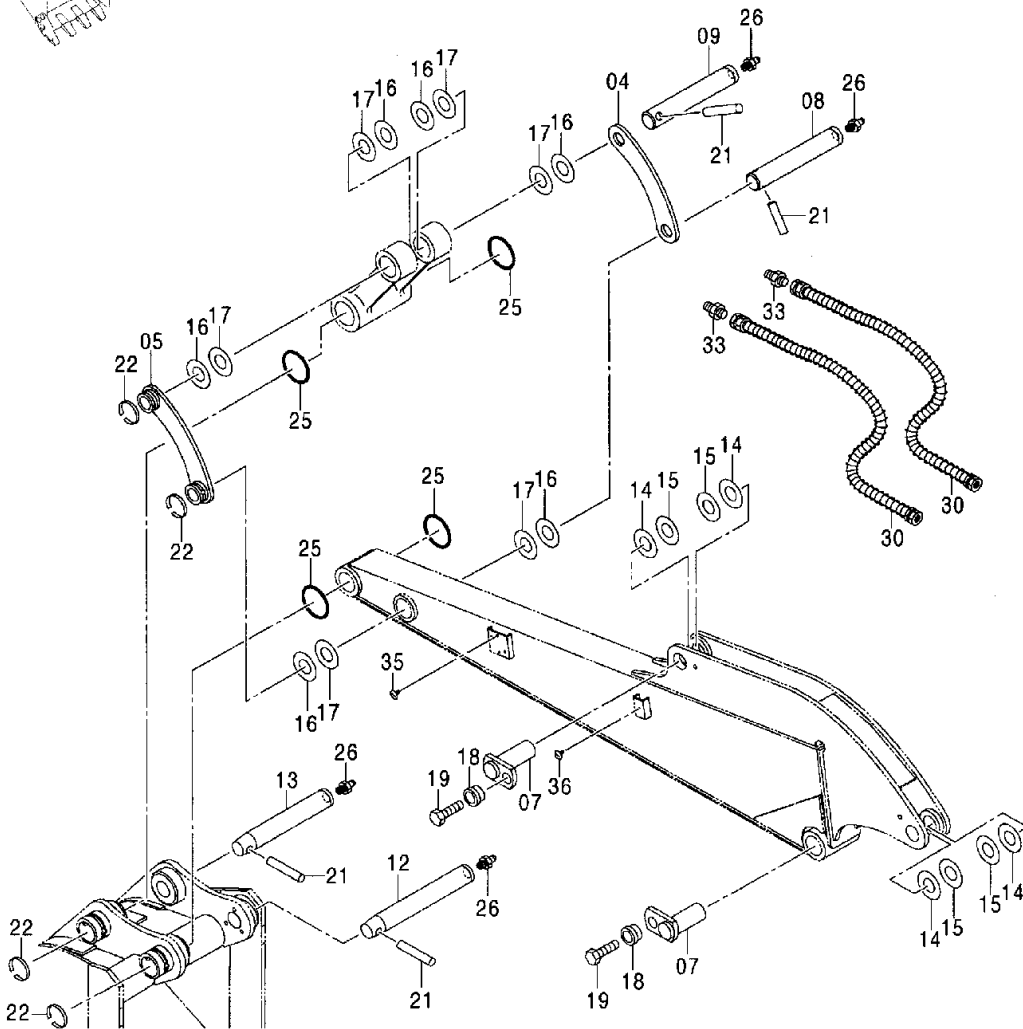
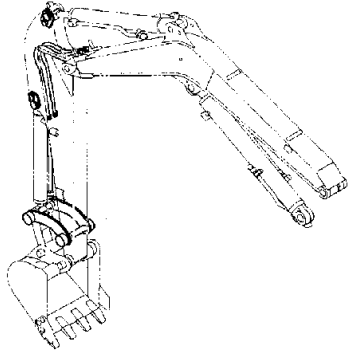
111	ARM PARTS (ARM 1.81M) <40> S/N	P1LU-1-2	111
-----	--------------------------------	----------	-----

ITEM	PART NUMBER	PART NAME	QTY	SERIAL NO
04	4408804	LINK	1	002001 -
05	8073935	LINK	1	002001 -
07	9758100	PIN	2	002001 -
08	3073147	PIN	1	002001 -
09	3073148	PIN	1	002001 -
12	4605836	PIN	1	002001 -
12	4605837	PIN	1	002001 -
13	4605837	PIN	1	002001 -
14	4334146	SHIM 0.5	4	002001 -
15	4359695	SHIM 1.0	4	002001 -
16	4354256	SHIM 0.5	6	002001 -
17	4354258	SHIM 1.0	6	002001 -
18	4339355	BUSHING	2	002001 -
19	J971435	BOLT	2	002001 -
19	J901435	BOLT	2	002001 -
21	4141001	PIN	4	002001 -
22	4141000	RING	4	002001 -
25	4291436	O-RING	4	002001 -
26	J75481	FITTING;GREASE	4	002001 -
30	4612700	HOSE	2	002001 -
33	4042031	ADAPTER	2	002001 -
33A	4509180	O-RING	1	002001 -
35	4361804	PLUG	8	002001 -
36	4387681	PLUG	2	002001 -

155

アーム用品 (アーム 1.81M) <40>
ARM PARTS (ARM 1.81M) <40>

適用号機 002001-
Serial No.

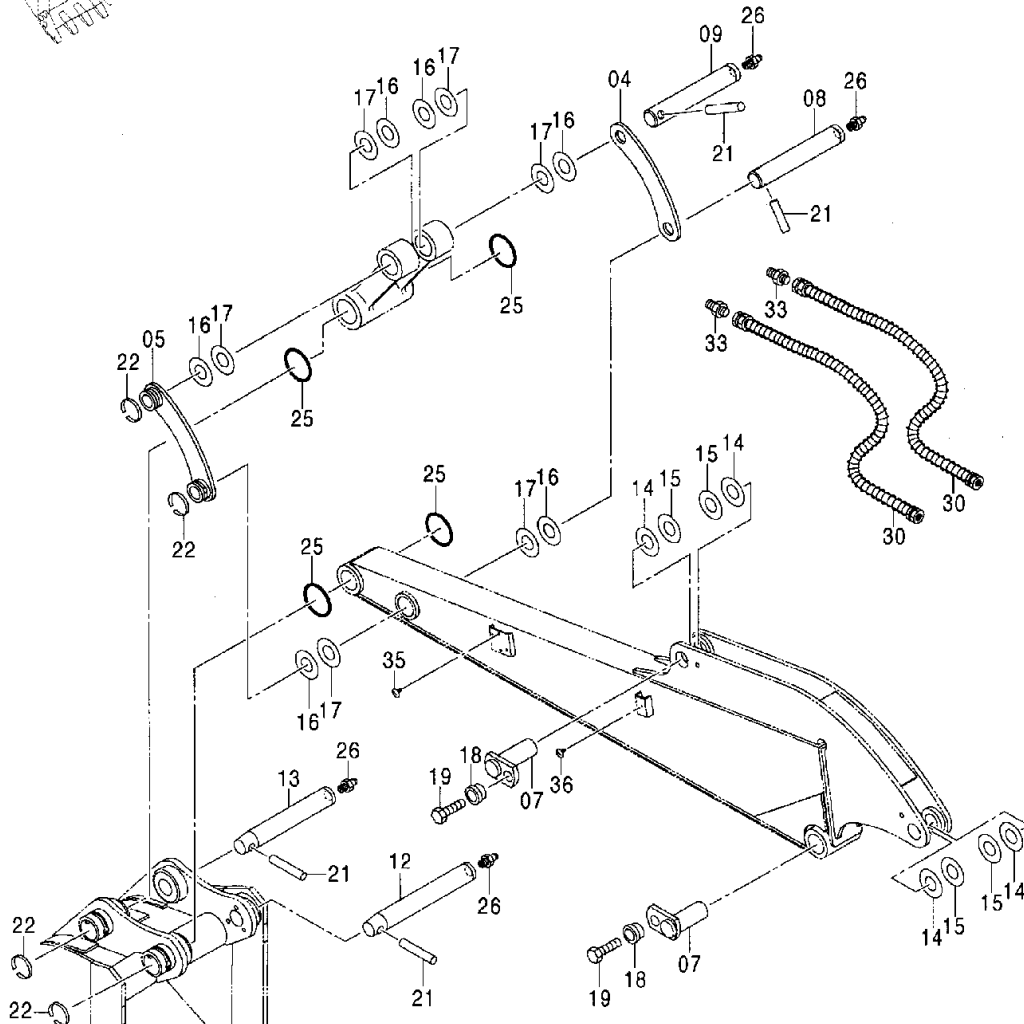
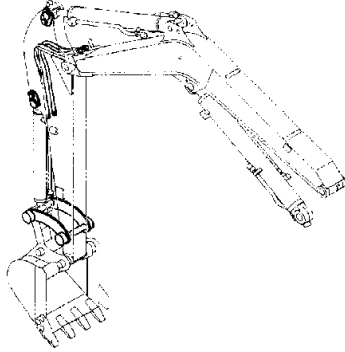


ITEM	PART NUMBER	PART NAME	QTY	SERIAL NO
04	4408804	LINK	1	002001 -
05	8073935	LINK	1	002001 -
07	9758100	PIN	2	002001 -
08	3073147	PIN	1	002001 -
09	3073148	PIN	1	002001 -
12	4605836	PIN	1	002001 -
12	4605837	PIN	1	002001 -
13	4605837	PIN	1	002001 -
14	4334146	SHIM 0.5	4	002001 -
15	4359695	SHIM 1.0	4	002001 -
16	4354256	SHIM 0.5	6	002001 -
17	4354258	SHIM 1.0	6	002001 -
18	4339355	BUSHING	2	002001 -
19	J971435	BOLT	2	002001 -
19	J901435	BOLT	2	002001 -
21	4141001	PIN	4	002001 -
22	4141000	RING	4	002001 -
25	4291436	O-RING	4	002001 -
26	J75481	FITTING;GREASE	4	002001 -
30	4606679	HOSE	2	002001 -
33	4042031	ADAPTER	2	002001 -
33A	4509180	O-RING	1	002001 -
35	4361804	PLUG	8	002001 -
36	4387681	PLUG	2	002001 -

157

アーム用品 (アーム 1.85M) <50>
ARM PARTS (ARM 1.85M) <50>

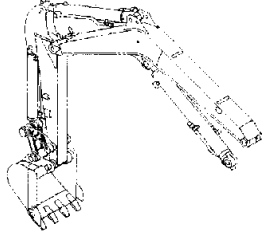
適用号機 002001-
Serial No.



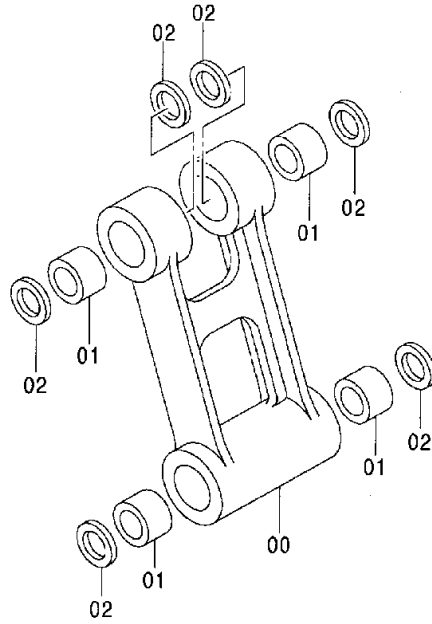
ITEM	PART NUMBER	PART NAME	QTY	SERIAL NO
	9193439	LINK ASS'Y	1	002001 -
00	3073152	LINK	1	002001 -
01	4340369	BUSHING	4	002001 -
02	4347251	SEAL;DUST	6	002001 -

159

通用号機 002001-
Serial No.



リンク
LINK



114	BUCKET 0.14 <PCSA> (590mm	P1LU-1-2	114
-----	---------------------------	----------	-----

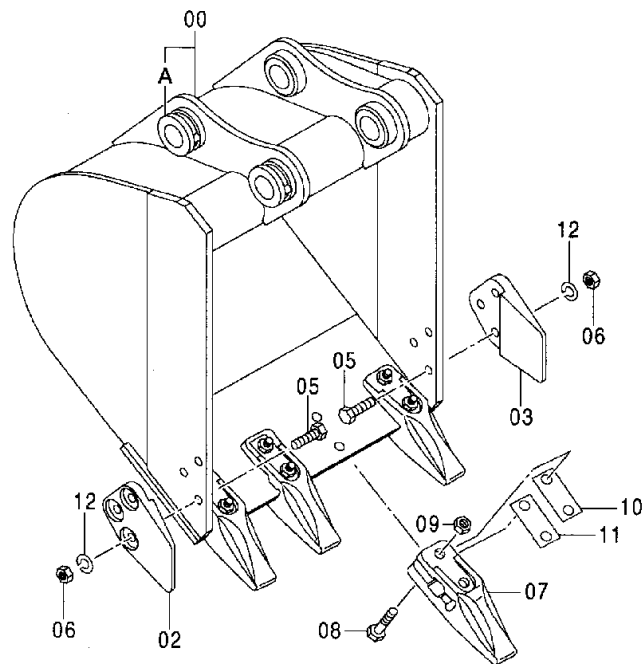
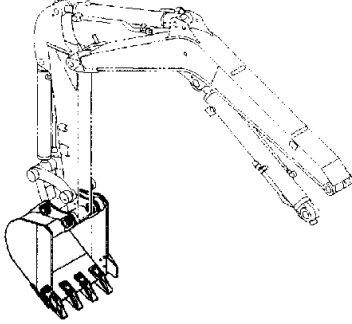
ITEM	PART NUMBER	PART NAME	QTY	SERIAL NO
	E9235889	BUCKET ASS'Y	1	002001 -
00	E6022422	BUCKET	1	002001 -
00A	E4197029	STOPPER	2	002001 -
02	E3061850	CUTTER;SIDE	1	002001 -
03	E3061851	CUTTER;SIDE	1	002001 -
05	EJ981440	BOLT	6	002001 -
05	EJ921440	BOLT	6	002001 -
06	EJ231214	NUT	6	002001 -
06	EJ950014	NUT	6	002001 -
07	E3056107	TOOTH	4	002001 -
08	EJ971245	BOLT	8	002001 -
08	EJ901245	BOLT	8	002001 -
09	EJ231212	NUT	8	002001 -
09	EJ950012	NUT	8	002001 -
10	E4276602	SHIM 1.0	6	002001 -
11	E4276605	SHIM 0.4	6	002001 -
12	EJ252214	WASHER;SPRING	6	002001 -
12	EA590914	WASHER;SPRING	6	002001 -

P1LU-1-2_161-0

161

バケット 0.14 <PCSA> (590mm巾) <40>
BUCKET 0.14 <PCSA> (590mm WIDE) <40>

適用号機 002001-
Serial No.



115	BUCKET 0.16 <PCSA> (640mm	P1LU-1-2	115
------------	--	-----------------	------------

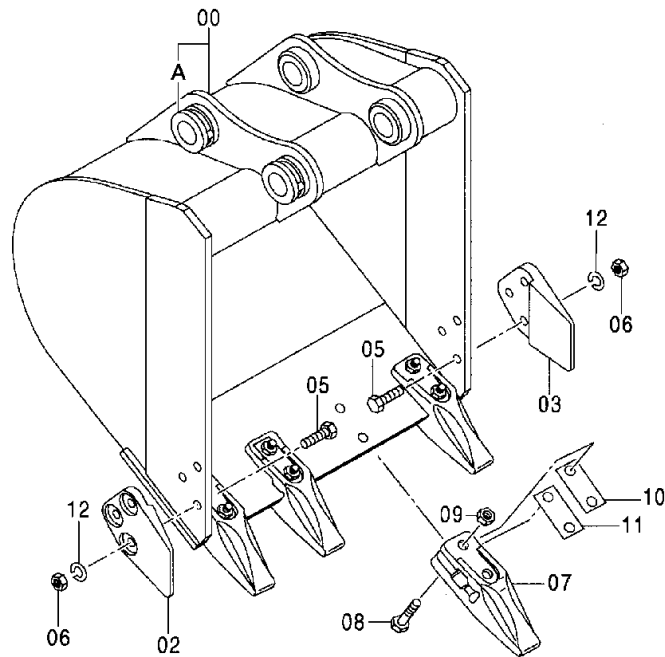
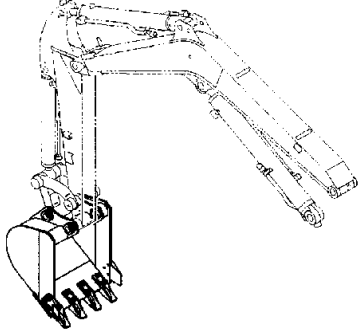
ITEM	PART NUMBER	PART NAME	QTY	SERIAL NO
	E9235890	BUCKET ASS'Y	1	002001 -
00	E6022421	BUCKET	1	002001 -
00A	E4197029	STOPPER	2	002001 -
02	E3061850	CUTTER;SIDE	1	002001 -
03	E3061851	CUTTER;SIDE	1	002001 -
05	EJ981440	BOLT	6	002001 -
05	EJ921440	BOLT	6	002001 -
06	EJ231214	NUT	6	002001 -
06	EJ950014	NUT	6	002001 -
07	E3056107	TOOTH	4	002001 -
08	EJ971245	BOLT	8	002001 -
08	EJ901245	BOLT	8	002001 -
09	EJ231212	NUT	8	002001 -
09	EJ950012	NUT	8	002001 -
10	E4276602	SHIM 1.0	6	002001 -
11	E4276605	SHIM 0.4	6	002001 -
12	EJ252214	WASHER;SPRING	6	002001 -
12	EA590914	WASHER;SPRING	6	002001 -

P1LU-1-2_163-0

163

バケット 0.16 <PCSA> (640mm巾) <50>
BUCKET 0.16 <PCSA> (640mm WIDE) <50>

適用号機 002001-
Serial No.



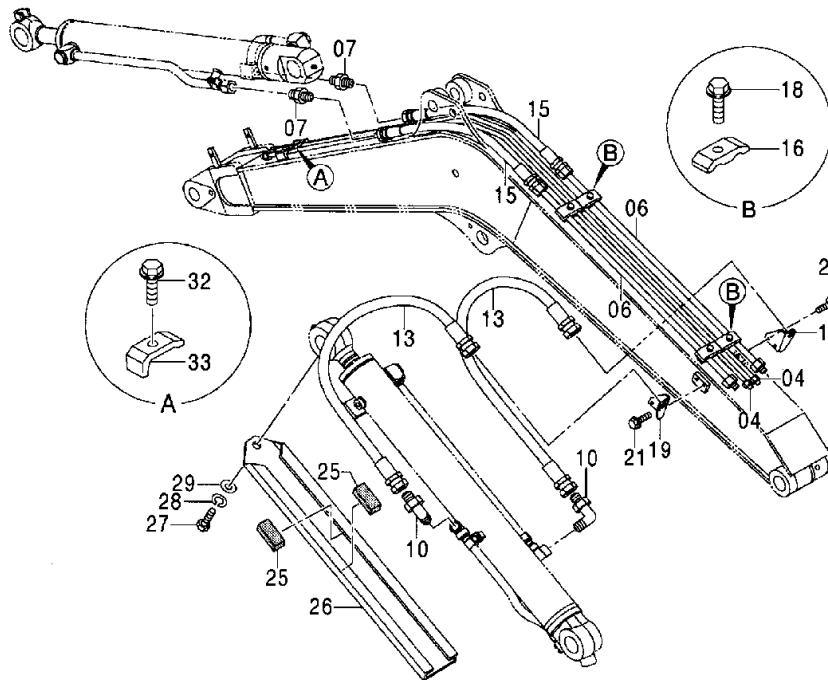
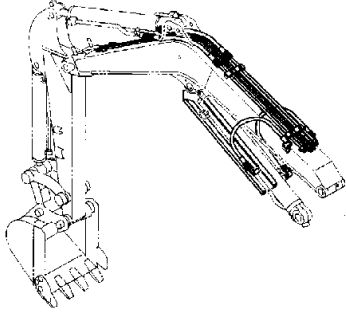
116	FRONT PIPING <40> S/N 002001 -	P1LU-1-2	116
------------	---	-----------------	------------

ITEM	PART NUMBER	PART NAME	QTY	SERIAL NO
04	8091039	PIPE	2	002001 -
06	9756429	PIPE	2	002001 -
07	4042032	ADAPTER	2	002001 -
07A	4506418	O-RING	1	002001 -
10	4434983	ELBOW;S	2	002001 -
10A	4506418	O-RING	1	002001 -
15	4606614	HOSE	2	002001 -
13	4606615	HOSE	2	002001 -
16	4355009	CLAMP;PIPE	4	002001 -
16	4202559	CLAMP;PIPE	4	002001 -
18	J051045	BOLT;SEMS	4	002001 -
18	J271045	BOLT;SEMS	4	002001 -
				002001 -
19	4359686	PLATE	1	002001 -
20	4359687	PLATE	1	002001 -
21	J050816	BOLT;SEMS	4	002001 -
21	J780816	BOLT;SOCKET	4	002001 -
25	4352044	RUBBER	2	002001 -
22	J090816	BOLT;SEMS	4	002001 -
22	J260816	BOLT;SEMS	4	002001 -
				002001 -
25	4352044	RUBBER	2	002001 -
26	3080415	COVER	1	002001 -
27	J971220	BOLT	1	002001 -
27	J901220	BOLT	1	002001 -
28	J252212	WASHER;SPRING	1	002001 -
28	A590912	WASHER;SPRING	1	002001 -
29	J254012	WASHER	1	002001 -
29	J222012	WASHER	1	002001 -
32	J051040	BOLT;SEMS	2	002001 -
32	J271040	BOLT;SEMS	2	002001 -
				002001 -
33	4331315	CLAMP;PIPE	2	002001 -
33	4138227	CLAMP;PIPE	2	002001 -

165

フロント配管 <40>
FRONT PIPING <40>

適用号機 002001-
Serial No.



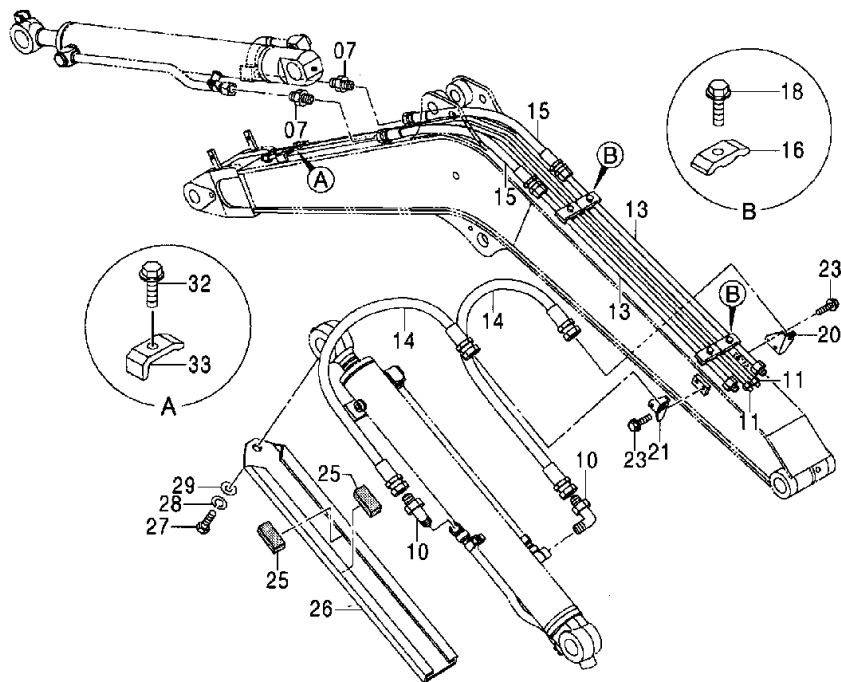
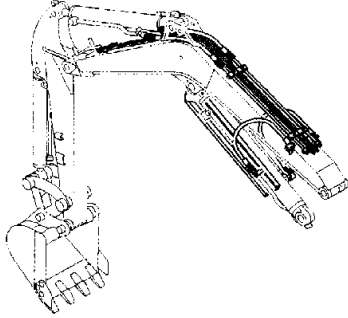
ITEM	PART NUMBER	PART NAME	QTY	SERIAL NO
07	4042032	ADAPTER;S	2	002001 -
07A	4506418	O-RING	1	002001 -
10	4434983	ELBOW;S	2	002001 -
10A	4506418	O-RING	1	002001 -
11	8090606	PIPE	2	002001 -
13	9756429	PIPE	2	002001 -
14	4606615	HOSE	2	002001 -
15	4606626	HOSE	2	002001 -
16	4355009	CLAMP;PIPE	4	002001 -
16	4202559	CLAMP;PIPE	4	002001 -
18	J051045	BOLT;SEMS	4	002001 -
18	J271045	BOLT;SEMS	4	002001 -
				002001 -
20	4359686	PLATE	1	002001 -
21	4359687	PLATE	1	002001 -
23	J090816	BOLT;SEMS	4	002001 -
23	J260816	BOLT;SEMS	4	002001 -
				002001 -
25	4352044	RUBBER	2	002001 -
26	3080415	COVER	1	002001 -
27	J971225	BOLT	1	002001 -
27	J901225	BOLT	1	002001 -
28	J252212	WASHER;SPRING	1	002001 -
28	A590912	WASHER;SPRING	1	002001 -
29	J254012	WASHER	1	002001 -
29	J222012	WASHER	1	002001 -
32	J051040	BOLT;SEMS	2	002001 -
32	J271040	BOLT;SEMS	2	002001 -
				002001 -
33	4331315	CLAMP;PIPE	2	002001 -
33	4138227	CLAMP;PIPE	2	002001 -

P1LU-1-2_167-0

167

フロント配管 <50>
FRONT PIPING <50>

適用号機 002001-
Serial No.



P1LU-1-2

118	FRONT PIPING PROTECTOR <40>	P1LU-1-2 118
-----	-----------------------------	--------------

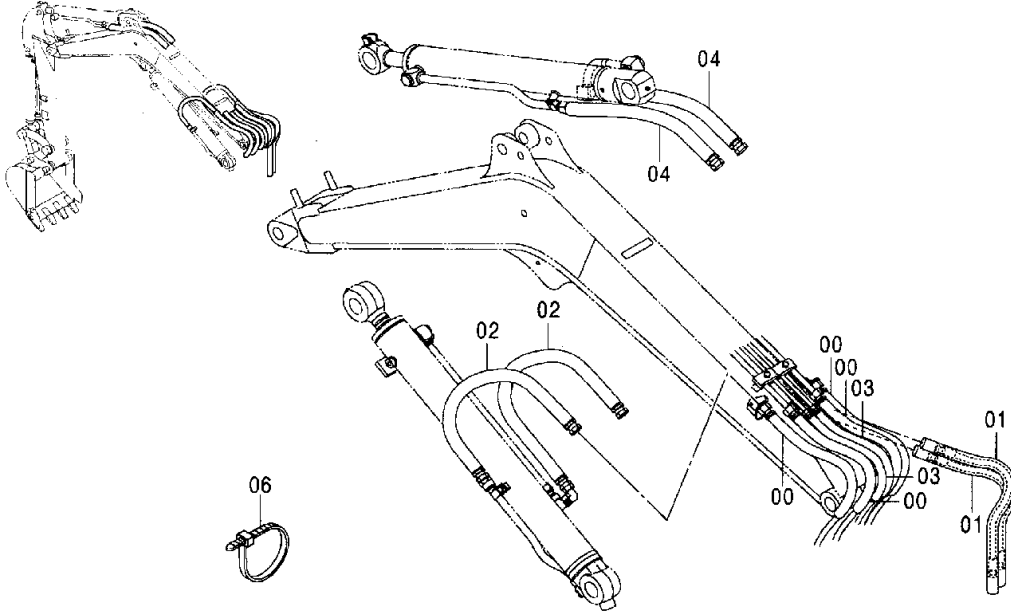
ITEM	PART NUMBER	PART NAME	QTY	SERIAL NO
00	4604461	PROTECTOR;HOSE	4	002001 -
01	4489564	PROTECTOR;HOSE	2	002001 -
02	4604462	PROTECTOR;HOSE	2	002001 -
03	4483311	PROTECTOR;HOSE	2	002001 -
04	4489563	PROTECTOR;HOSE	2	002001 -
06	4326365	CLIP;BAND	24	002001 -

P1LU-1-2_169-0

169

フロント配管プロテクタ <40>
FRONT PIPING PROTECTOR <40>

適用号機 002001-
Serial No.



119	FRONT PIPING PROTECTOR <50>	P1LU-1-2 119
-----	-----------------------------	--------------

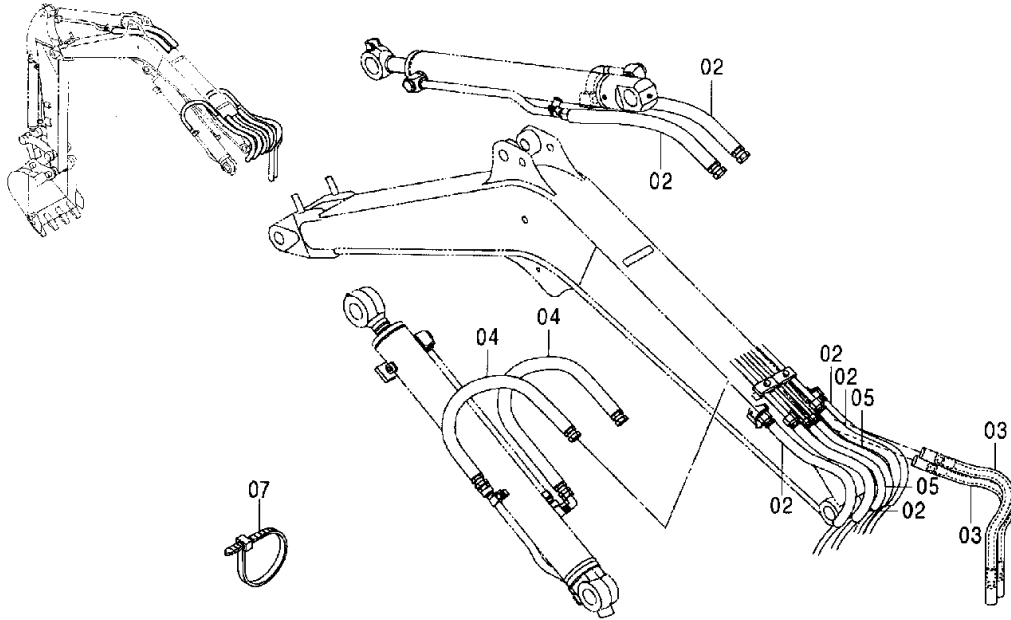
ITEM	PART NUMBER	PART NAME	QTY	SERIAL NO
02	4604461	PROTECTOR;HOSE	6	002001 -
03	4489564	PROTECTOR;HOSE	2	002001 -
04	4604462	PROTECTOR;HOSE	2	002001 -
05	4483311	PROTECTOR;HOSE	2	002001 -
07	4326365	CLIP;BAND	24	002001 -

P1LU-1-2_170-0

170

フロント配管プロテクタ <50>
FRONT PIPING PROTECTOR <50>

適用号機 002001-
Serial No.

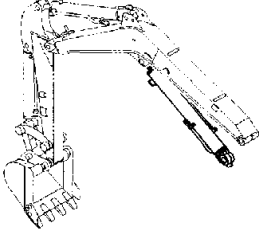
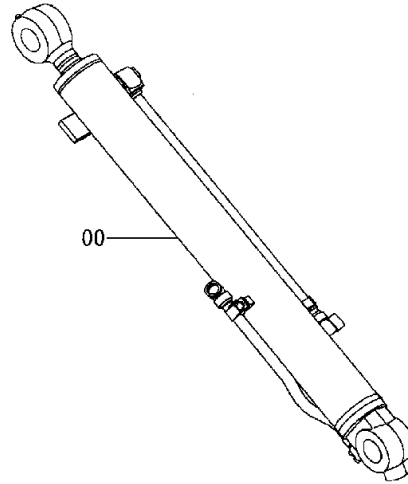


120	BOOM CYLINDER <40> S/N 002001 -	P1LU-1-2 120
-----	---------------------------------	--------------

ITEM	PART NUMBER	PART NAME	QTY	SERIAL NO
	9229496	BOOM CYL.	1	002001 -
00	4601908	CYL.;BOOM	1	002001 -

P1LU-1-2_171-0

171

適用号機 002001-
Serial No.ブームシリンダ <40>
BOOM CYLINDER <40>

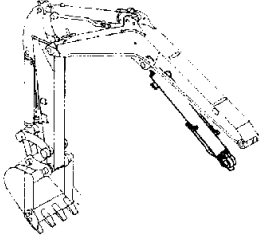
121	BOOM CYLINDER <50> S/N 002001 -	P1LU-1-2 121
-----	---------------------------------	--------------

ITEM	PART NUMBER	PART NAME	QTY	SERIAL NO
	9229501	BOOM CYL.	1	002001 -
00	4601913	CYL.;BOOM	1	002001 -

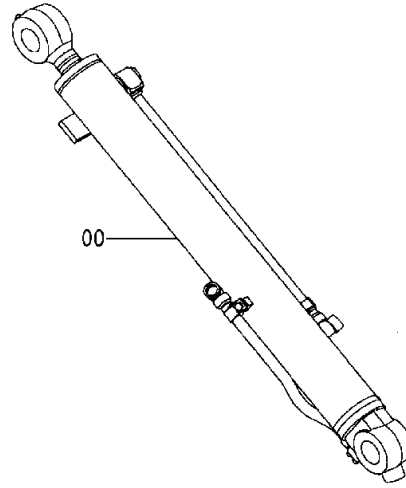
P1LU-1-2_172-0

172

適用号機 002001-
Serial No.



ブームシリンダ <50>
BOOM CYLINDER <50>



122	ARM CYLINDER <40> S/N 002001 -	P1LU-1-2 122
-----	--------------------------------	--------------

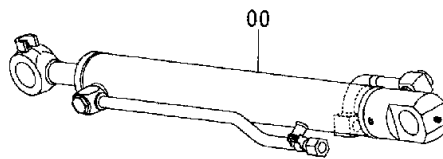
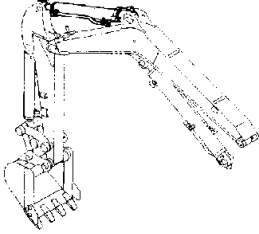
ITEM	PART NUMBER	PART NAME	QTY	SERIAL NO
	9229497	ARM CYL.	1	002001 -
00	4601909	CYL.;ARM	1	002001 -

P1LU-1-2_173-0

173

アームシリンダ <40>
ARM CYLINDER <40>

適用号機 002001-
Serial No.



123	ARM CYLINDER <50> S/N 002001 -	P1LU-1-2 123
-----	--------------------------------	--------------

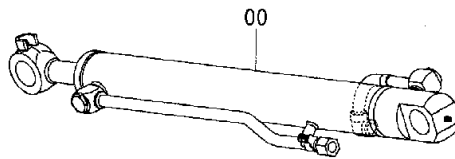
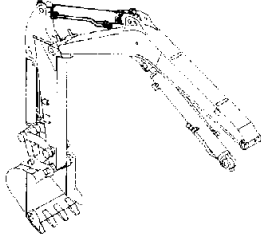
ITEM	PART NUMBER	PART NAME	QTY	SERIAL NO
	9229502	ARM CYL.	1	002001 -
00	4601914	CYL.;ARM	1	002001 -

P1LU-1-2_174-0

174

アームシリンダ <50>
ARM CYLINDER <50>

適用号機 002001-
Serial No.



124	BUCKET CYLINDER <40> S/N	P1LU-1-2 124
-----	--------------------------	--------------

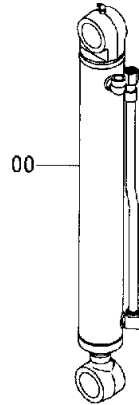
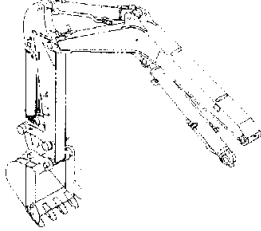
ITEM	PART NUMBER	PART NAME	QTY	SERIAL NO
	9229498	BUCKET CYL.	1	002001 -
00	4601910	CYL.;BUCKET	1	002001 -

P1LU-1-2_175-0

175

バケツシリンダ <40>
BUCKET CYLINDER <40>

適用号機 002001-
Serial No.



125	BUCKET CYLINDER <50> S/N	P1LU-1-2 125
-----	--------------------------	--------------

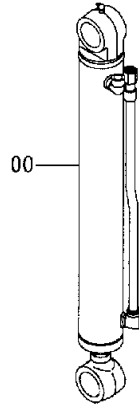
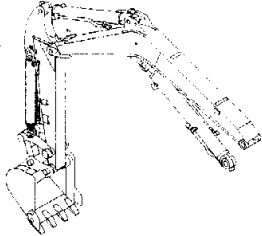
ITEM	PART NUMBER	PART NAME	QTY	SERIAL NO
	9229503	BUCKET CYL.	1	002001 -
00	4601915	CYL.;BUCKET	1	002001 -

P1LU-1-2_176-0

176

バケットシリンダ <50>
BUCKET CYLINDER <50>

適用号機 002001-
Serial No.



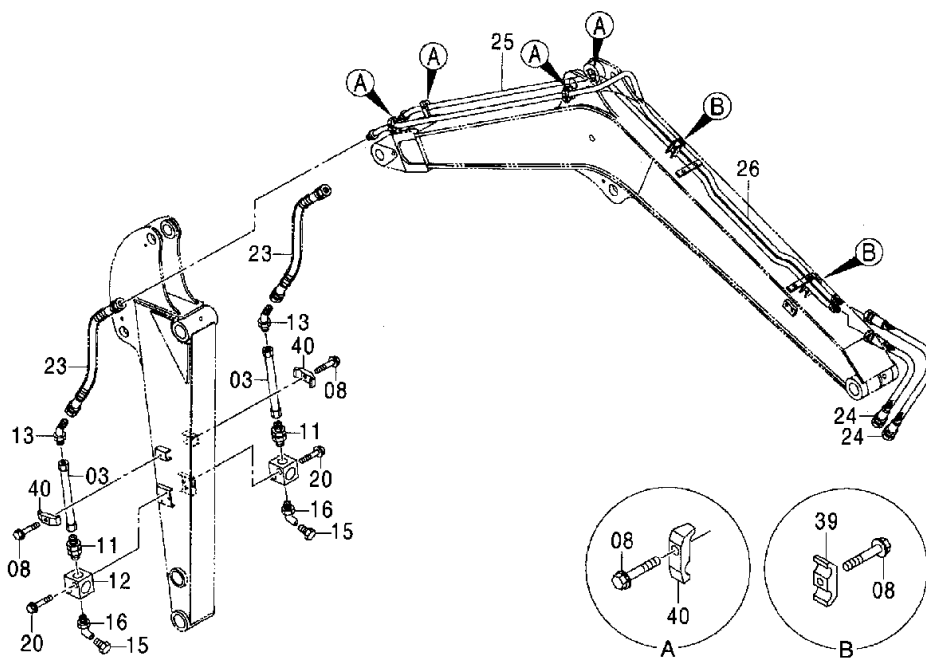
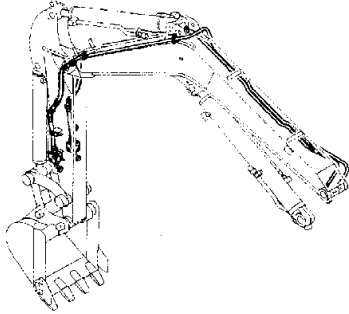
ITEM	PART NUMBER	PART NAME	QTY	SERIAL NO
03	9743589	PIPE	2	002001 -
08	J051045	BOLT;SEMS	8	002001 -
08	J271045	BOLT;SEMS	8	002001 -
				002001 -
11	4276850	ADAPTER;S	2	002001 -
11A	4506418	O-RING	2	002001 -
12	4287721	VALVE;STOP	2	002001 -
13	4081336	ELBOW;S	2	002001 -
13A	4506418	O-RING	1	002001 -
15	4294858	PLUG	2	002001 -
16	4293263	ELBOW;S	2	002001 -
16A	4506418	O-RING	1	002001 -
20	J090860	BOLT;SEMS	4	002001 -
20	J260860	BOLT;SEMS	4	002001 -
				002001 -
23	4436899	HOSE	2	002001 -
24	4606676	HOSE	2	002001 -
25	8091040	PIPE	1	002001 -
26	8091041	PIPE	1	002001 -
39	4354753	CLAMP;PIPE	2	002001 -
39	4189858	CLAMP;PIPE	2	002001 -
40	4354754	CLAMP;PIPE	6	002001 -
40	4053594	CLAMP;PIPE	6	002001 -

P1LU-1-2_177-0

177

エキストラ配管 (フロント) [アーム 1.46M] <40>
 EXTRA PIPING (FRONT) [ARM 1.46M] <40>

適用号機 002001-
 Serial No.



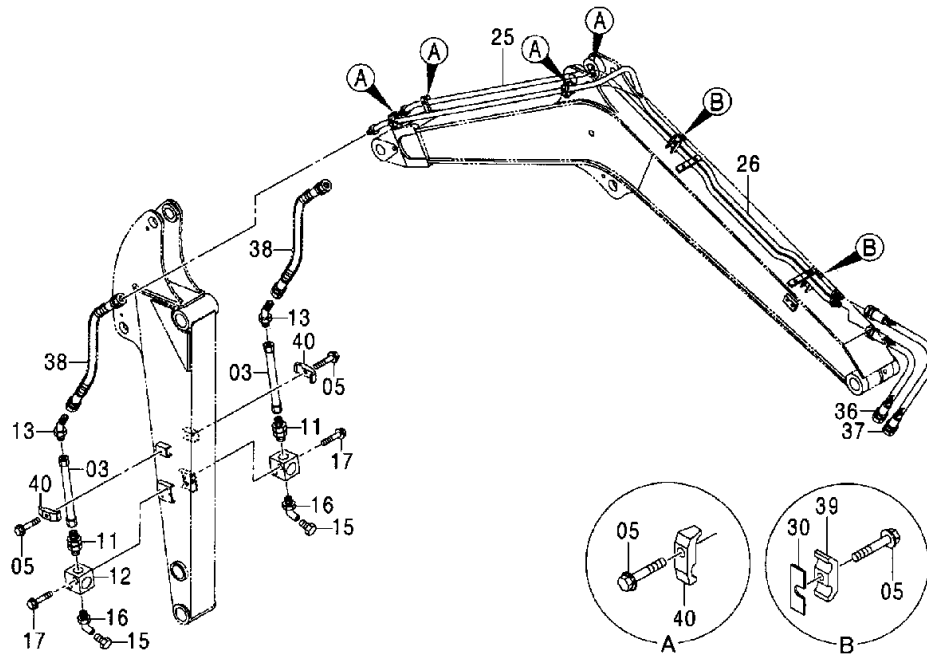
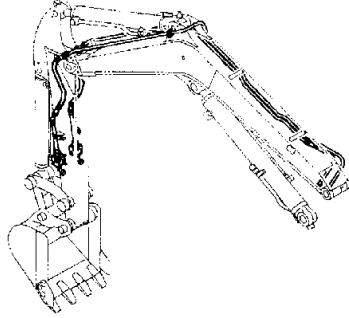
P1LU-1-2

ITEM	PART NUMBER	PART NAME	QTY	SERIAL NO
03	9743589	PIPE	2	002001 -
05	J051045	BOLT;SEMS	8	002001 -
05	J271045	BOLT;SEMS	8	002001 -
				002001 -
11	4276850	ADAPTER;S	2	002001 -
11A	4506418	O-RING	2	002001 -
12	4287721	VALVE;STOP	2	002001 -
13	4081336	ELBOW;S	2	002001 -
13A	4506418	O-RING	1	002001 -
15	4294858	PLUG	2	002001 -
16	4293263	ELBOW;S	2	002001 -
16A	4506418	O-RING	1	002001 -
17	J090860	BOLT;SEMS	4	002001 -
17	J260860	BOLT;SEMS	4	002001 -
				002001 -
25	8091318	PIPE	1	002001 -
26	8091317	PIPE	1	002001 -
30	4405907	SHIM 1.2	2	002001 -
36	4602710	HOSE	1	002001 -
37	4606676	HOSE	1	002001 -
38	4436899	HOSE	2	002001 -
39	4354753	CLAMP;PIPE	2	002001 -
39	4189858	CLAMP;PIPE	2	002001 -
40	4354754	CLAMP;PIPE	6	002001 -
40	4053594	CLAMP;PIPE	6	002001 -

179

エキストラ配管 (フロント) [アーム 1.50M] <50>
EXTRA PIPING (FRONT) [ARM 1.50M] <50>

適用号機 002001-
Serial No.



128	EXTRA PIPING (FRONT) [ARM	P1LU-1-2	128
------------	----------------------------------	-----------------	------------

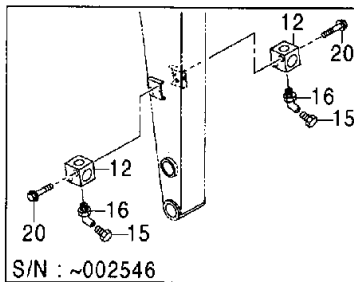
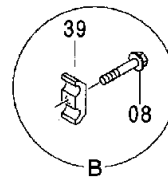
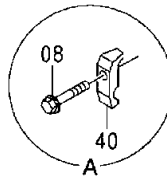
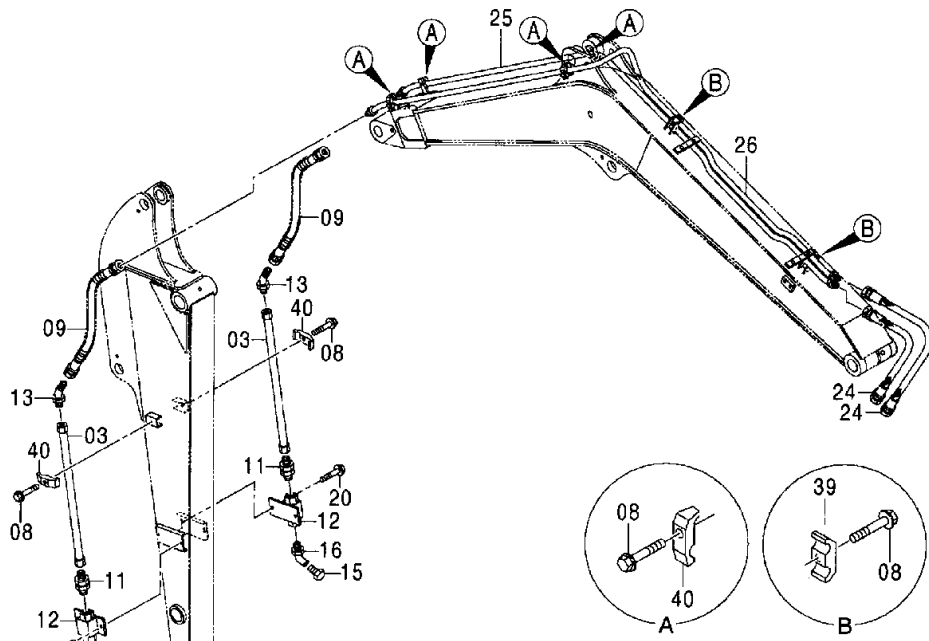
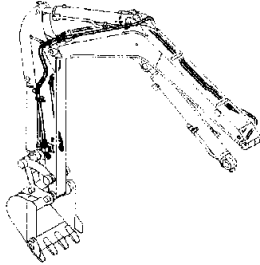
ITEM	PART NUMBER	PART NAME	QTY	SERIAL NO
03	9748648	PIPE	2	002001 -
08	J051045	BOLT;SEMS	8	002001 -
08	J271045	BOLT;SEMS	8	002001 -
				002001 -
09	4436899	HOSE	2	002001 -
11	4276850	ADAPTER;S	2	002001 -
11A	4506418	O-RING	2	002001 -
12	4287721	VALVE;STOP	2	002001 -
12	4631880	VALVE;STOP	2	002001 -
13	4081336	ELBOW;S	2	002001 -
13A	4506418	O-RING	1	002001 -
15	4294858	PLUG	2	002001 -
16	4293263	ELBOW;S	2	002001 -
16A	4506418	O-RING	1	002001 -
20	J090860	BOLT;SEMS	4	002001 -
20	J260860	BOLT;SEMS	4	002001 -
				002001 -
20	J260820	BOLT;SEMS	4	002001 -
				002001 -
24	4606676	HOSE	2	002001 -
25	8091040	PIPE	1	002001 -
26	8091041	PIPE	1	002001 -
39	4354753	CLAMP;PIPE	2	002001 -
39	4189858	CLAMP;PIPE	2	002001 -
40	4354754	CLAMP;PIPE	6	002001 -
40	4053594	CLAMP;PIPE	6	002001 -

P1LU-1-2_181-0

181

エキストラ配管 (フロント) [アーム 1.81M] <40>
 EXTRA PIPING (FRONT) [ARM 1.81M] <40>

適用号機 002001-
 Serial No.

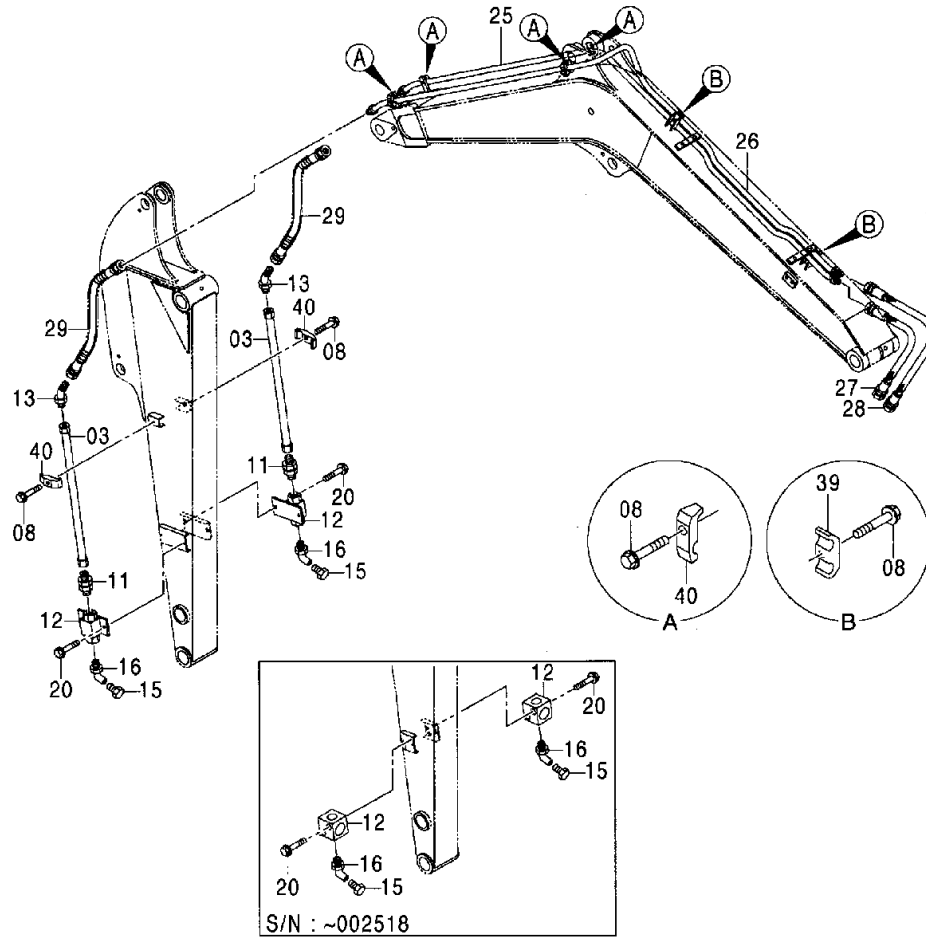
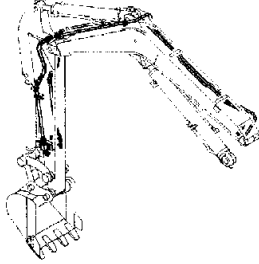


ITEM	PART NUMBER	PART NAME	QTY	SERIAL NO
03	9748648	PIPE	2	002001 -
08	J051045	BOLT;SEMS	8	002001 -
08	J271045	BOLT;SEMS	8	002001 -
				002001 -
11	4276850	ADAPTER;S	2	002001 -
11A	4506418	O-RING	2	002001 -
12	4287721	VALVE;STOP	2	002001 -
12	4631830	VALVE;STOP	2	002001 -
13	4081336	ELBOW;S	2	002001 -
13A	4506418	O-RING	1	002001 -
15	4294858	PLUG	2	002001 -
16	4293263	ELBOW;S	2	002001 -
16A	4506418	O-RING	1	002001 -
20	J090860	BOLT;SEMS	4	002001 -
20	J260860	BOLT;SEMS	4	002001 -
				002001 -
20	J260820	BOLT;SEMS	4	002001 -
				002001 -
25	8091318	PIPE	1	002001 -
26	8091317	PIPE	1	002001 -
27	4602710	HOSE	1	002001 -
28	4606676	HOSE	1	002001 -
29	4436899	HOSE	2	002001 -
30	4405907	SHIM 1.2	2	002001 -
39	4354753	CLAMP;PIPE	2	002001 -
39	4189858	CLAMP;PIPE	2	002001 -
40	4354754	CLAMP;PIPE	6	002001 -
40	4053594	CLAMP;PIPE	6	002001 -

183

エキストラ配管 (フロント) [アーム 1.85M] <50>
EXTRA PIPING (FRONT) [ARM 1.85M] <50>

適用号機 002001-
Serial No.

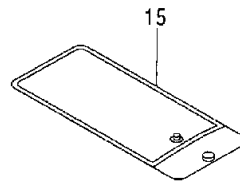
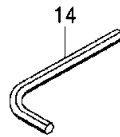
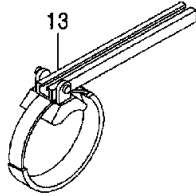
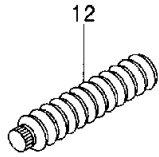
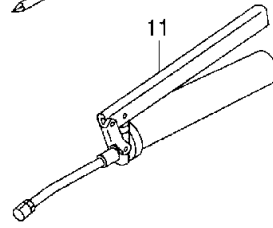
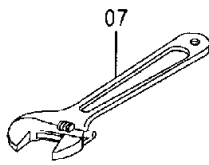
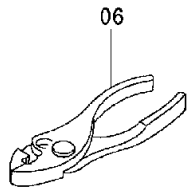
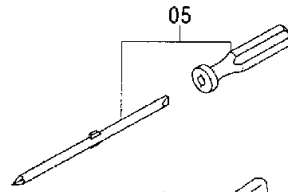
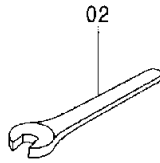
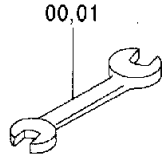


ITEM	PART NUMBER	PART NAME	QTY	SERIAL NO
00	973194	SPANNER 10X13	1	002001 -
01	958399	SPANNER 17X19	1	002001 -
02	4106732	SPANNER 22	1	002001 -
05	4200434	S.DRIVER;CROSS	1	002001 -
06	4296386	PLIER	1	002001 -
07	4200438	WRENCH;ADJUST	1	002001 -
11	4313055	GUN;GREASE	1	002001 -
12	4313058	CARTRIDGE	1	002001 -
13	4295965	WRENCH	1	002001 -
14	985709	WRENCH;BAR	1	002001 -
15	4313054	BAG	1	002001 -

185

工具
TOOLS

適用号機 002001-
Serial No.



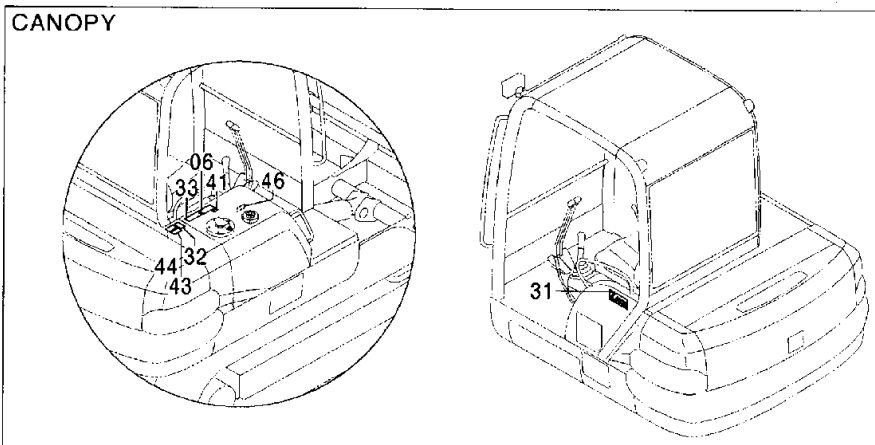
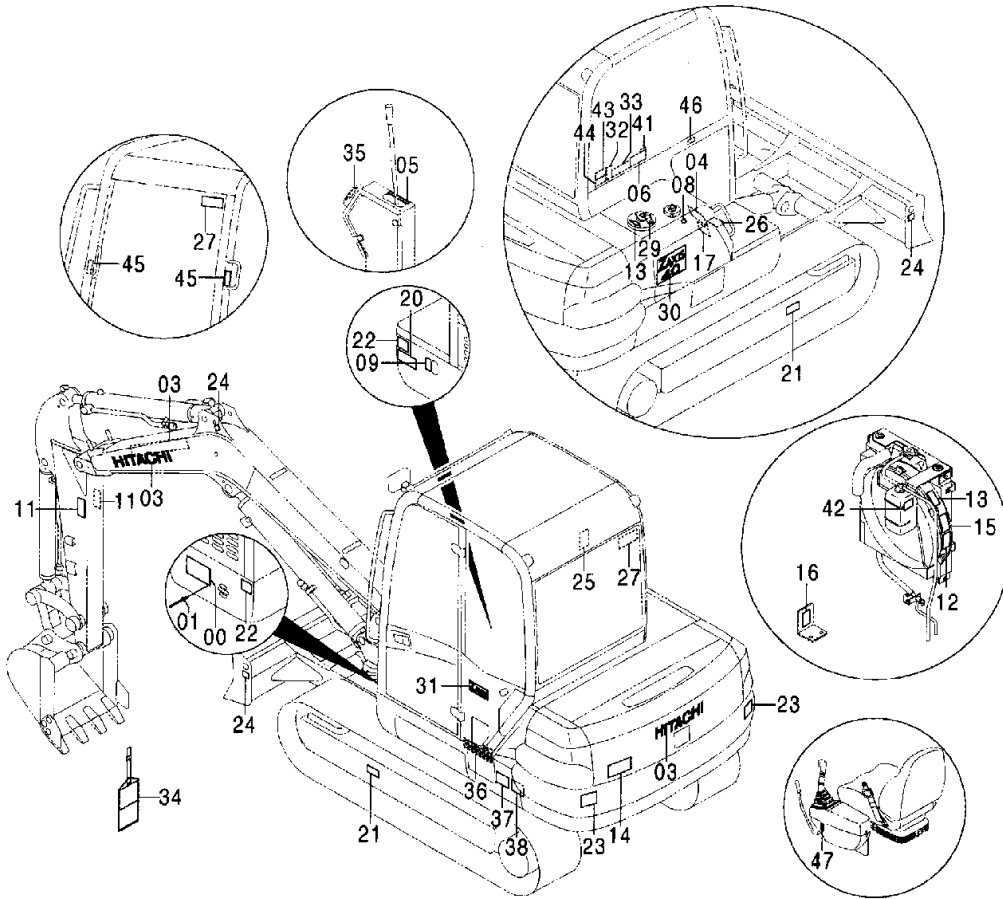
131	NAME-PLATE (ENGLISH) <40> S/N	P1LU-1-2	131
------------	--	-----------------	------------

ITEM	PART NUMBER	PART NAME	QTY	SERIAL NO
00	+++++++	NAME-PLATE	1	002001 -
01	E4295995	RIVET	4	002001 -
03	E4333008	NAME-PLATE	3	002001 -
04	E3099804	NAME-PLATE	1	002001 -
05	E4334011	SEAL	1	002001 -
06	E4295812	NAME-PLATE	1	002001 -
08	E4407358	NAME-PLATE	1	002001 -
09	E4408864	NAME-PLATE	1	002001 -
11	E3089581	SAFETY-SIGN	2	002001 -
12	E4425120	NAME-PLATE	1	002001 -
13	E4392290	NAME-PLATE	2	002001 -
14	E3078858	NAME-PLATE	1	002001 -
15	E4425442	NAME-PLATE	1	002001 -
16	E4392289	NAME-PLATE	1	002001 -
17	E4392287	NAME-PLATE	1	002001 -
20	E4392296	NAME-PLATE	1	002001 -
21	E4392288	NAME-PLATE	2	002001 -
22	E4360260	NAME-PLATE	2	002001 -
23	E4360261	NAME-PLATE	2	002001 -
24	E4357593	NAME-PLATE	3	002001 -
25	E4609453	NAME-PLATE	1	002001 -
26	E4407119	NAME-PLATE	1	002001 -
27	E4359076	NAME-PLATE	2	002001 -
29	E4408799	MARK	1	002001 -
30	E2050330	NAME-PLATE	1	002001 -
31	E3099288	NAME-PLATE	1	002001 -
32	E4448289	NAME-PLATE	1	002001 -
33	E4392302	NAME-PLATE	1	002001 -
34	E2045102	NAME-PLATE	1	002001 -
35	E4604999	NAME-PLATE	1	002001 -
36	E4607983	NAME-PLATE	1	002001 -
37	+++++++	NAME-PLATE	1	002001 -
37	+++++++	NAME-PLATE	1	002001 -
38	+++++++	NAME-PLATE	1	002001 -
38	+++++++	NAME-PLATE	1	002001 -
41	E4604368	NAME-PLATE	1	002001 -
42	E4409540	NAME-PLATE	1	002001 -
43	E4606116	NAME-PLATE	1	002001 -
44	E4420332	SAFETY-SIGN	1	002001 -
45	E4607825	NAME-PLATE	2	002001 -
46	E4392295	NAME-PLATE	1	002001 -
47	E4295807	NAME-PLATE	1	002001 -

187A

ネームプレート (英語) <40>
NAME-PLATE (ENGLISH) <40>

適用号機 002001-
Serial No.



ITEM	PART NUMBER	PART NAME	QTY	SERIAL NO
00	+++++++	NAME-PLATE	1	002001 -
01	E4295995	RIVET	4	002001 -
03	E4333008	NAME-PLATE	3	002001 -
04	E3099804	NAME-PLATE	1	002001 -
05	E4334011	SEAL	1	002001 -
06	E4295812	NAME-PLATE	1	002001 -
08	E4407358	NAME-PLATE	1	002001 -
09	E4408864	NAME-PLATE	1	002001 -
11	E3089581	SAFETY-SIGN	2	002001 -
12	E4425120	NAME-PLATE	1	002001 -
13	E4392290	NAME-PLATE	2	002001 -
14	E3078858	NAME-PLATE	1	002001 -
15	E4425442	NAME-PLATE	1	002001 -
16	E4392289	NAME-PLATE	1	002001 -
17	E4392287	NAME-PLATE	1	002001 -
20	E4392296	NAME-PLATE	1	002001 -
21	E4392288	NAME-PLATE	2	002001 -
22	E4360260	NAME-PLATE	2	002001 -
23	E4360261	NAME-PLATE	2	002001 -
24	E4357593	NAME-PLATE	3	002001 -
25	E4609453	NAME-PLATE	1	002001 -
26	E4407119	NAME-PLATE	1	002001 -
27	E4359076	NAME-PLATE	2	002001 -
29	E4408799	MARK	1	002001 -
30	E2050331	NAME-PLATE	1	002001 -
31	E3099288	NAME-PLATE	1	002001 -
32	E4448289	NAME-PLATE	1	002001 -
33	E4392302	NAME-PLATE	1	002001 -
34	E2045102	NAME-PLATE	1	002001 -
35	E4604999	NAME-PLATE	1	002001 -
36	E4607983	NAME-PLATE	1	002001 -
37	+++++++	NAME-PLATE	1	002001 -
37	+++++++	NAME-PLATE	1	002001 -
38	+++++++	NAME-PLATE	1	002001 -
38	+++++++	NAME-PLATE	1	002001 -
41	E4604368	NAME-PLATE	1	002001 -
42	E4409540	NAME-PLATE	1	002001 -
43	E4606116	NAME-PLATE	1	002001 -
44	E4420332	SAFETY-SIGN	1	002001 -
45	E4607825	NAME-PLATE	2	002001 -
46	E4392295	NAME-PLATE	1	002001 -
47	E4295807	NAME-PLATE	1	002001 -

189A

ネームプレート (英語) <50>
NAME-PLATE (ENGLISH) <50>

適用号機 002001-
Serial No.

