

**FOR PUBLIC
RELEASE**

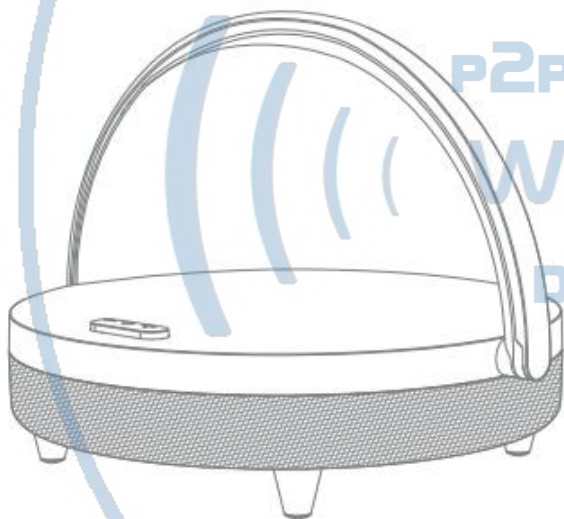
Руководство пользователя EN

Ezvalo Lydia

Bluetooth колонка, беспроводная станция зарядки (Qi), светильник (ночник).

WIRELESS CHARGER MUSIC LAMP

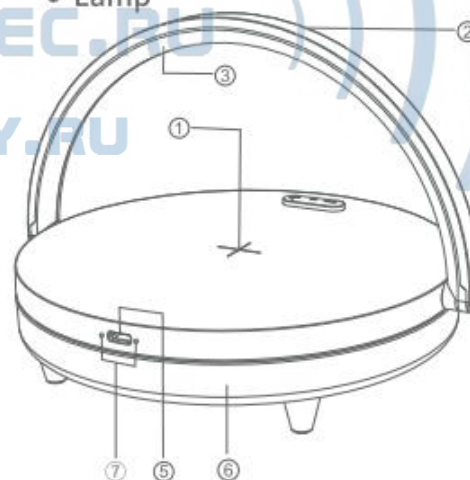
PRODUCT INSTRUCTIONS



Thank you very much for choosing our products, please read the product description carefully before using the product

FEATURES

- Simple and exquisite modeling
- Phone stand function
- Adjustable lighting angle
- Charging distance $\leq 8\text{MM}$
- Wireless charger
- Wireless speaker
- Handsfree
- Lamp



APPEARANCE CHARACTERISTICS

- ① Wireless charging reference point
- ② ON/OFF and Dimming
- ③ Lampshade
- ④ Function button
- ⑤ Type-c interface
- ⑥ Speaker cavity
- ⑦ Indicator light (Blue/White)

**FOR PUBLIC
RELEASE**

OPERATION METHOD

1. Plug the USB port of the USB data cable to the power adapter and the Type-C end to the wireless charger.
2. After the product is powered on, the product indicators flash blue and white.
3. Place the device that needs to be charged in the charging indication area of the product, the white light turns to blue light, the blue light stays on, and enters the charging state.



LIGHT TOUCH FUNCTION

- Touch the first time to start the light 10% brightness
- Touch the second time to change the light 70% brightness
- Touch the third time to change the light 100% brightness
- Touch the fourth time to turn off the light



TURN ON YOUR SPEAKERS AND USE

In the off state, [▶] press the play button for about 3 seconds, and there is a beep sound, indicating that the speaker is searching for pairing. At this time, turn on the Bluetooth function of your mobile phone. In the Bluetooth device, search for Bluetooth, click to select the [EZVALO Lydia] device name, and it automatically enters the pairing.

If the product is not paired for 10 minutes, the speaker will automatically turn off.



**FOR PUBLIC
RELEASE**

BUTTON FUNCTION

【▶】 Power switch / play / pause / hands-free calling / pairing mode

Press and hold for 3 seconds to turn on/off the speaker. In the playback state, short press to pause the song, short press again to play the song. When there is a phone call, short press to answer the call, long press for 3 seconds to reject the call. If you want to connect to a new device, double press to disconnect the current one and enter the pairing mode.

【+】 Volume up / next song

In the playback state, short press to increase the volume, and a pop-up boost will occur when the volume is maximized. Long press to the next song.

【-】 Volume down / previous song

In the playback state, short press in order to decrease the volume, long press will play the previous song.

APPLICABLE DEVICE

Intelligent identification charging device: compatible with major brands ;
Iphone: iphone 11/ 11Pro / 11Pro Max、 iphone Xs / Xs Max、
iphone XR、 iphone X、 iphone 8 / 8Plus
Samsung: iGalaxyS6 GalaxyS7 GalaxyS8 GalaxyS9 Note8
Note9
HuaWei: MateRS Mate20Pro Mate20RS P30Pro
XiaoMi: MIX2S MIX3.
Note:

This product supports wireless charging function, and realizes short-range wireless energy transmission by magnetic induction. With overcharge protection, overvoltage protection (9V) and overcurrent protection (2A).

PRECAUTIONS

Do not use the product in direct sunlight or high temperature for a long time. Do not charge too close to magnetic cards, magnetic recording media and precision instruments. Do not disassemble or modify this product. Do not touch the AC adapter with wet hands. Keep the product away from water or other liquids. If you want to clean the product, disconnect the power. Product working environment temperature range 20-45°C.

**FOR PUBLIC
RELEASE**

WIRELESS CHARGING SPECIFICATIONS

- Material: ABS + PP + Metel
- Power input: 5V \equiv 2A 9V \equiv 2A
- Output power: 10W MAX
- Charging efficiency: 75%
- Product size: 191x203x55mm

- The power charging port is an international universal TypeC port.

SPEAKER SPECIFICATIONS

- Audio specifications Bluetooth version: 5.0
- Speaker power: 4Ω5W
- Speaker specifications: 50mm
- Bluetooth distance: 10m

**FOR PUBLIC
RELEASE**

**FOR PUBLIC
RELEASE**

Made in China