



EverExceed[®] Patented Robust AGM Technology

ST-12240

VALVE REGULATED

LEAD ACID BATTERY

FOR TELECOM / ELECTRIC

UTILITY APPLICATIONS

12V 240 AH @ 10 HR to 1.80VPC

12V 263 AH @ 20 HR to 1.75VPC

LONG DURATION

HIGH PERFORMANCE



Innovative Features

Thick positive plate design for maximum service float life 12 years design life @ 20°C(68°F).

UL Recognized component.

Valve regulated lead acid battery (VRLA).

High-Compression Absorbed Glass Mat technology (AGM) for greater than 99% recombination efficiency.

Proprietary Fixed Orifice Plate Pasting technology applying active materials on both sides of the grid for consistent cell-to-cell performance, higher capacity and uniform grid protection.

Operates at a low internal pressure.

Heavy duty insert copper alloy terminals for ease of assembly, reduced maintenance and increased safety.

Advanced lead tin calcium alloy, reduces grid corrosion and promotes long battery life.

Over-sized, through the partition inter-cell welds provide low resistance connections, with minimal power loss.

Flame arresting, low pressure safety release venting system for individual cells, recognized per U.L. 924.

Multicell design for ease of installation and maintenance

Horizontal or vertical operation.

Standard:

Reinforced ABS (UL 94HB) container and cover

Optional:

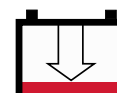
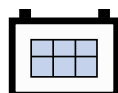
Flame-retardant reinforced ABS container and cover compliant with U.L.94 V-0 with an Oxygen limiting Index of greater than 28%.

12 VOLTS - 240 AMPERE HOUR @ 10 HOUR RATE

AH Capacity to 1.80VPC @ 68°F (20°C)

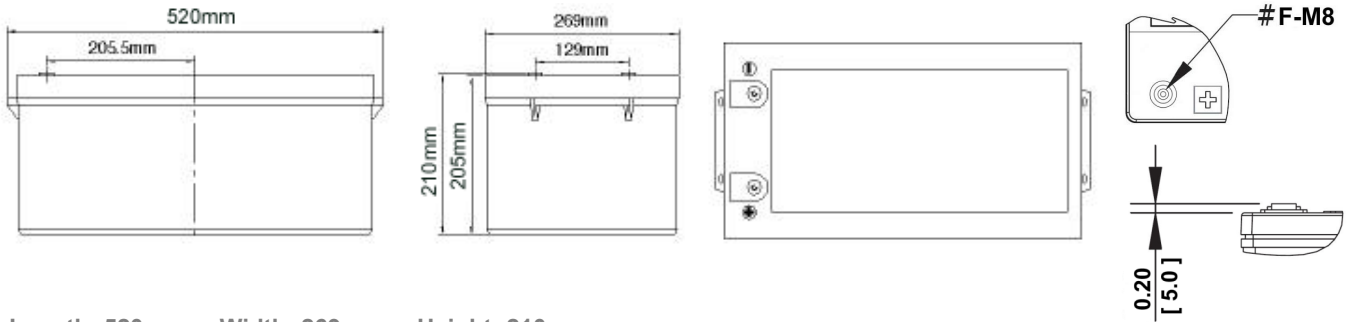
End Point Volts/Cell	1.5hr	2hr	3hr	4hr	5hr	8hr	10hr	12hr	20hr	24hr
1.80	173	185	195	205	213	230	240	245	266	271

For Telecom / Electric Utility Applications



Standard Range VRLA

EverExceed[®]
power your applications



Length: 520mm Width: 269mm Height: 210mm

Electrical Specifications						
Cells Per Unit	Voltage Per Unit	Weight	Electrolyte	Maximum Discharge Current	Short Circuit Current	Ohms Imped 60 Hz(Ω)
6	12.84	140lbs 63.5kg	SG = 1.300	1524 Amps	6150 Amps	0.0022

Capacity	263 Ah @ 20 hr. rate to 1.75 volts per cell @ 68°F (20°C). 240 Ah @ 10 hr. rate to 1.80 volts per cell @ 68°F (20°C).
Applicable Operating Temperature Range	-40°F (-40°C) to +158°F (70°C).
Ideal Operating Temperature Range	+68°F (+20°C) to +82.4°F (28°C).
Floating Charging Voltage	13.5 to 13.8 VDC/unit Average at 68°F~77°F (20°C~25°C).
Recommended Maximum Charging Current Limit	0.25C20 amperes (69.0 amperes @ 100% depth of discharge) @ 20 hr. rate.
Equalization and Cycle Service Charging Voltage	14.4 to 14.8 VDC/unit Average at 68°F~77°F (20°C~25°C).
Maximum AC Ripple (Charger)	0.5% RMS or 1.5% P-P of float charge voltage recommended for best results. Maximum voltage allowed = 1.4% RMS (4% P-P). Maximum current allowed = 13.8 amperes RMS (C/20).
Self Discharge	EverExceed Standard Range batteries may be stored for up to 12 months at 68°F~77°F (20°C~25°C) and then a freshening charge is required. For higher temperatures the time interval will be shorter.
Accessories	Inter unit connectors racks and cabinet systems are available.
Terminal: Inserted	Threaded copper alloy insert terminal
Terminal Hardware Initial Torque: Inserted Terminal	11 N-m

Constant Power Discharging Ratings - Watts Per Cell @ 20°C (68°F)										
End Point Volts/Cell	1.5hr	2hr	3hr	4hr	5hr	8hr	10hr	12hr	20hr	24hr
1.85	208	171	121	96.0	80.0	55.0	46.0	40.0	26.0	22.0
1.80	222	175	126	100	83.0	57.3	48.0	41.0	26.7	22.7
1.75	230	182	129	102	85.0	58.0	48.4	41.5	27.0	23.0

Constant Current Discharging Ratings - Amperes Per Cell @ 20°C (68°F)										
End Point Volts/Cell	1.5hr	2hr	3hr	4hr	5hr	8hr	10hr	12hr	20hr	24hr
1.85	109	86.6	61.6	48.4	40.2	27.9	23.0	19.4	12.8	10.5
1.80	116	92.1	65.5	51.2	42.7	28.9	24.0	20.5	13.5	11.3
1.75	118	94.0	66.9	52.6	43.3	29.5	24.7	21.1	13.8	11.6

Note: Batteries to be mounted with 0.5 in (1.25 cm) spacing minimum and free air ventilation. Specifications subject to change without notification.

