

# VTK Airvent

Installation instructions

GB

Document in original language | · A001



© Copyright Systemair AB  
All rights reserved  
E&OE

Systemair AB reserves the rights to alter their products without notice.  
This also applies to products already ordered, as long as it does not affect the previously agreed specifications.

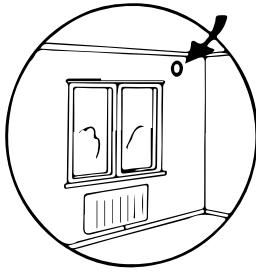
# Contents

1	Making holes for the duct.....	1
2	Mounting .....	1
3	Function.....	1
4	Accessories.....	2
	4.1 Mounting washers.....	2
	4.2 Filter change .....	2



## 1 Making holes for the duct

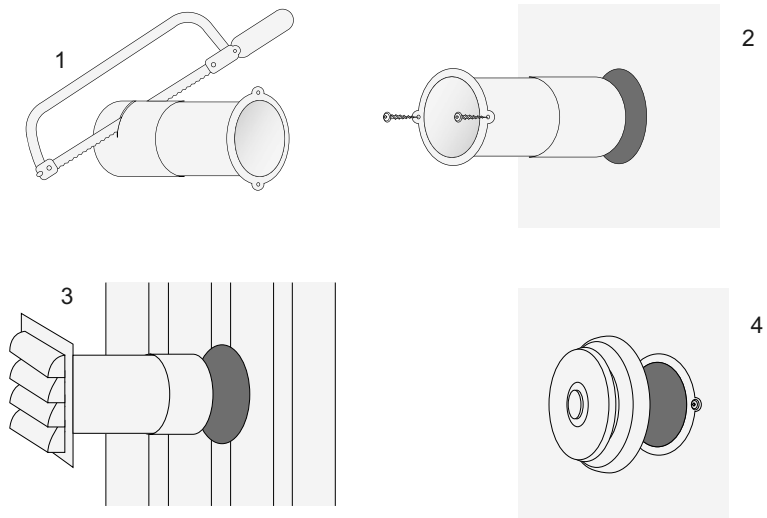
Drill holes through the inner wall, dimensions according to the table. See image for suitable location.



VTK	ø (mm)
80	85
100	105
125	130
160	165

## 2 Mounting

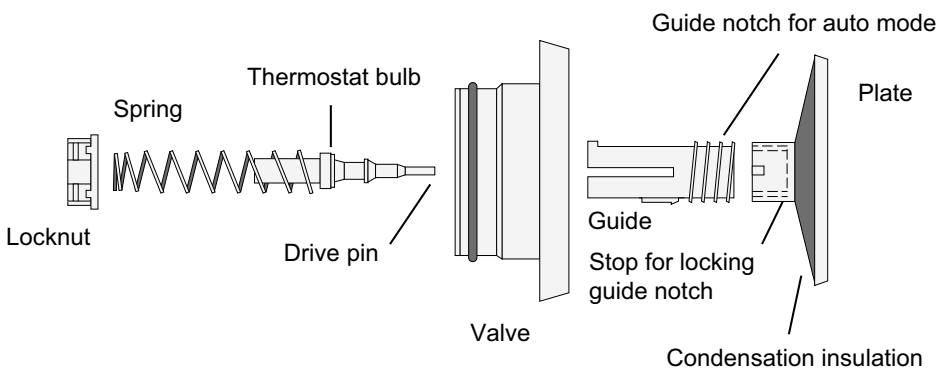
1. Cut the duct to adjust to the thickness of the wall
2. Mount the duct through the wall and use the fastening lugs to attach the duct with two screws.
3. From the outside, push the wall grid with extension against the wall duct. Use filling material against the outer wall if needed.
4. From the inside, push the airvent into the duct. The gasket keeps the airvent in place, no screws are necessary.



## 3 Function

VTK has a temperature sensitive and automatic thermostat that regulate the airvent plate and adjust the air gap and also the amount of air depending on the outside temperature. The airvent opens less when cold outside. If the airvent is in auto mode the supply of outside air decrease gradually down to -5° C.

When the temperature rises the airvent opens gradually and are fully open at +10° C. The setting can easily be adjusted. By turning the airvent's plate from auto position; clockwise if you need it to close earlier or counter clockwise if it should stay slightly open at temperatures under -5° C.

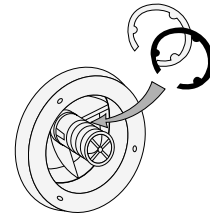


## 4 Accessories

Filter and accessories are available at [www.systemair.com](http://www.systemair.com).

### 4.1 Mounting washers

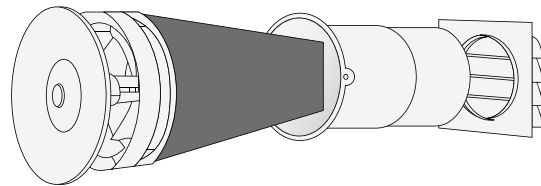
1. Turn the airvent's plate counter clockwise from auto mode and detach.
2. Mount the washers to desired gap opening on the guide, add 2 mm (the stud on the washer shall run in the track of the guide).
3. The washers are available in 2 and 4 mm thickness. A 4 mm washer provides 2 mm gap opening. One 4 mm + 2 mm washer provides a 4 mm gap opening.
4. Turn the plate to auto mode.



### 4.2 Filter change

It is recommended to change the filters between 1-3 years interval depending on placement and air quality.

1. Mount the filter first on the airvent. Ensure that the filter encloses the venting house and the rubber seal.
2. Push the airvent and filter in to the duct.
3. If correctly mounted, the gasket should hold the airvent firmly in the duct, no screws are necessary.







Systemair Sverige AB  
Industrivägen 3  
SE-739 30 Skinnskatteberg, Sweden

Phone +46 222 440 00  
Fax +46 222 440 99

[www.systemair.com](http://www.systemair.com)