

AIAS OPTIMIZING CONTROL SYSTEM

ORIGINAL SYSTEM, INSTALLATION AND OPERATION INSTRUCTION

General description

AIAS is a pre-programmed, easy configurable and operable control system for optimising the energy consumption in demand oriented building ventilation systems with VAV controllers.

The minimal configuration of AIAS system is based on one central control unit called AIAS-Combox. It is a compact DDC-controller with pre-programmed functional blocks for optimizing ventilation system energy consumption. It communicates via bus on Exoline and Modbus protocols and so it can be integrated into superior BMS. Such configuration is able to operate in systems with up to 30 VAV devices individually controlling rooms or zones connected to one air handling unit with variable fan speed control. Each space can be operated by a supply and an extract VAV with app. 10 data-points (measurement and control variables) processed by AIAS.

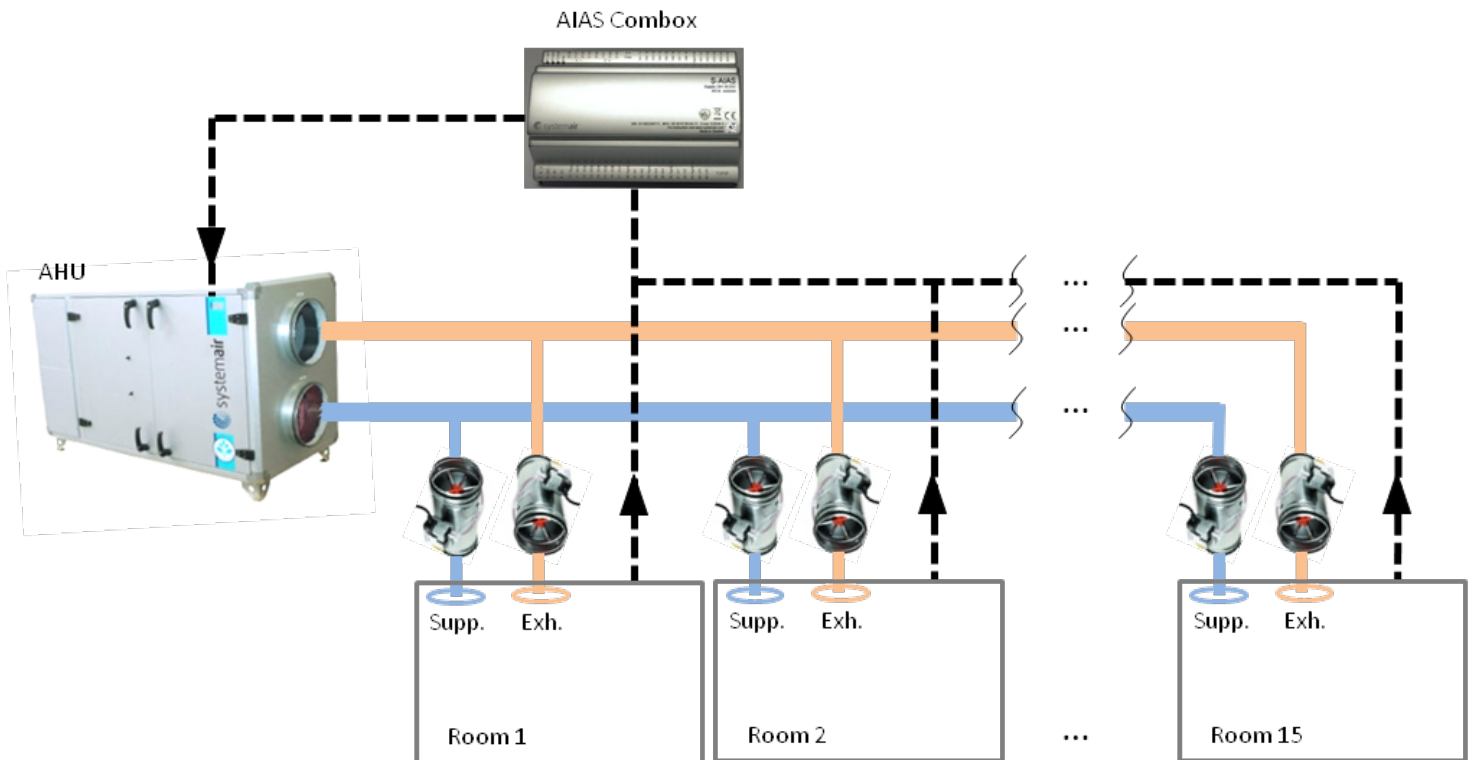


Fig 1: Minimal configuration: 1 AIAS Combox, up to 30 VAV devices.

The configuration can be extended by adding next AIAS Combox units each for additional up to 30 VAV devices connected to the same AHU. So the configuration can be scaled up to virtually unlimited number. The real limitation is the number of rooms aerated by the same AHU. The master AIAS Combox tops the chain of control signals from all slave units. It generates the power control signals for the Supply and extract fan.

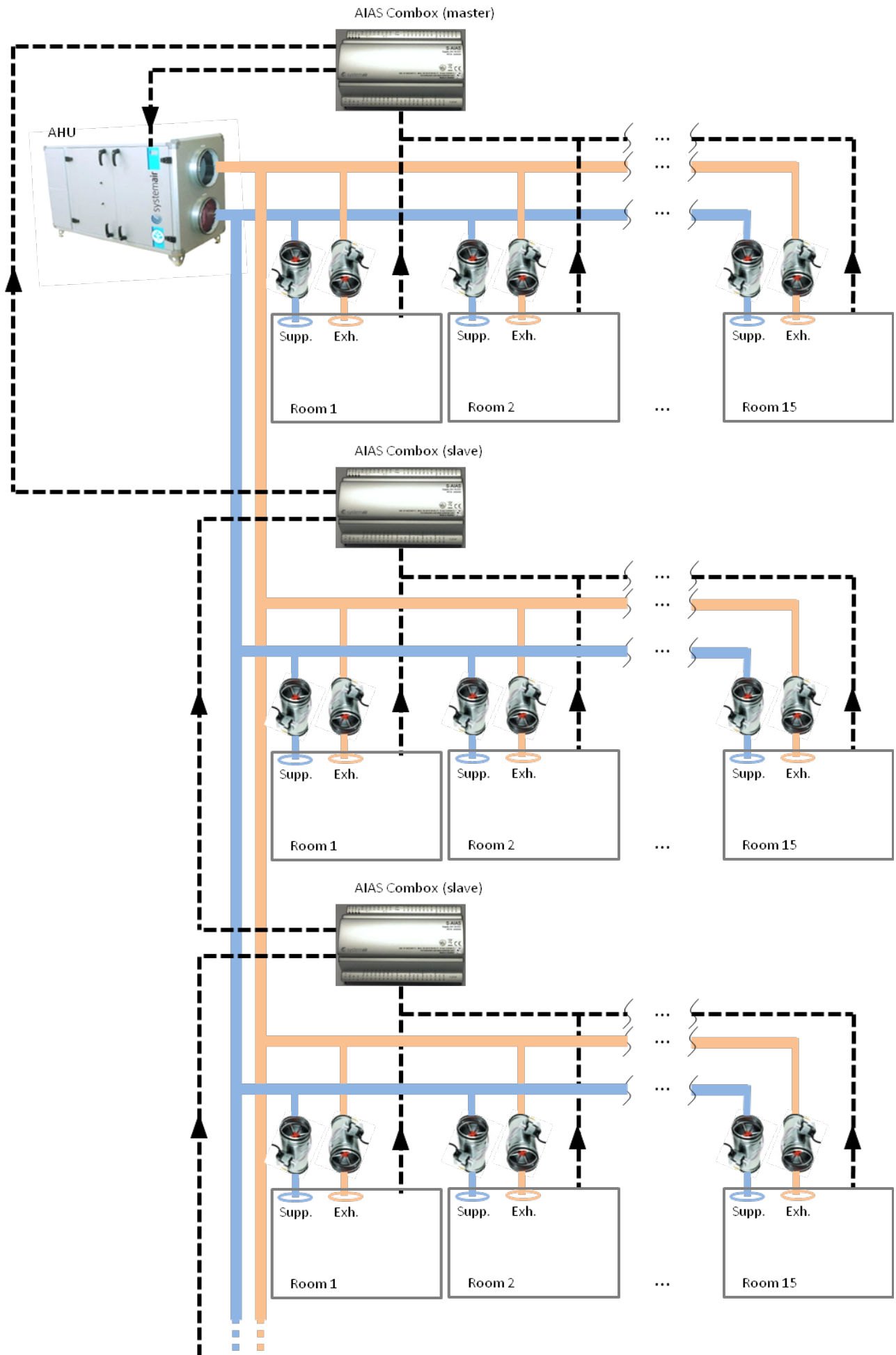


Fig 2: Extended configuration: 1 AIAS Combox (master), virtually unlimited number of additional AIAS Combox (slave).

Detailed topology

The operation of AIAS optimizing system is based on the reading of the position of the VAV controller dampers. The damper position information can be transmitted in two different ways:

1. Analog signal (DC 0-10V or 0-10kOhm).

These signals are collected in AIAS RIO (remote input/output) module and transferred to AIAS Combox via Exoline communication bus. There can be two Remote Input/Output = RIO modules each with 16 analog inputs used for one Combox. That means, up to 30 signals from VAV damper positions and also other physical values like air humidity, CO2 concentration etc. Can be read into the system by these analog inputs. This method is recommended, if the VAV controllers in the system are not able to communicate via bus. Especially in case of refurbishment, where older VAV's have only an analog position signal or even none, their replacement is not required. The VAV's without position signal can be equipped with auxiliary angle position sensors with 10kOhm potentiometer and integrated so in AIAS optimizing system (See pictures at page 5, 14, 15).

2. Modbus RTU communication.

Systemair VAV controllers with Modbus RTU communication ability (controller type BLC-MOD) can share the position information via Modbus directly to AIAS. Also other VAV operational variables can be communicated via Modbus.

Both of these modes allow to integrate also VAV controllers operating in master/slave combination of air supply and extract (balancing the room pressure) where each of them belongs to the optimizing loop of corresponding fan (supply VAV to supply fan and extract VAV to extract fan). Also these modes allow to integrate the zone balancing VAV's on both, supply and extract side of the ventilation system.

Even though no additional digital controllers except AIAS Combox are necessary for optimizing functionality, the AIAS system can handle useful functionalities performed by room controllers AIAS RC. Besides the individual room control functions like room temperature control, combinable with control of other values (CO2, humidity etc.) and besides the local overrides (occupancy sensor, window contact etc.) the AIAS can add the centralized remote functionalities like heating/cooling change-over, free cooling, common overrides. These are effective centrally for all connected room controllers.

The fan power control by AIAS Combox (master) is based on sending DC 0-10V setpoint signals to the fan power control units (frequency converters or other controlled power limiters) – separately one to the air supply and one to the air extract unit.

If the AIAS Combox is in a chain of more Combox controllers, it reads the fan power setpoint signals from the controller 1 level lower in the chain. It compares these signals with own calculated setpoints and sends out the higher demand signals to the controller higher in the chain. The higher controller does exactly the same and so the highest demand signal propagates to the fan control. So the AIAS Comboxes in the chain do not need any bus to communicate the fan power demand – the connection of analog inputs and outputs is easy and without any additional configuration.

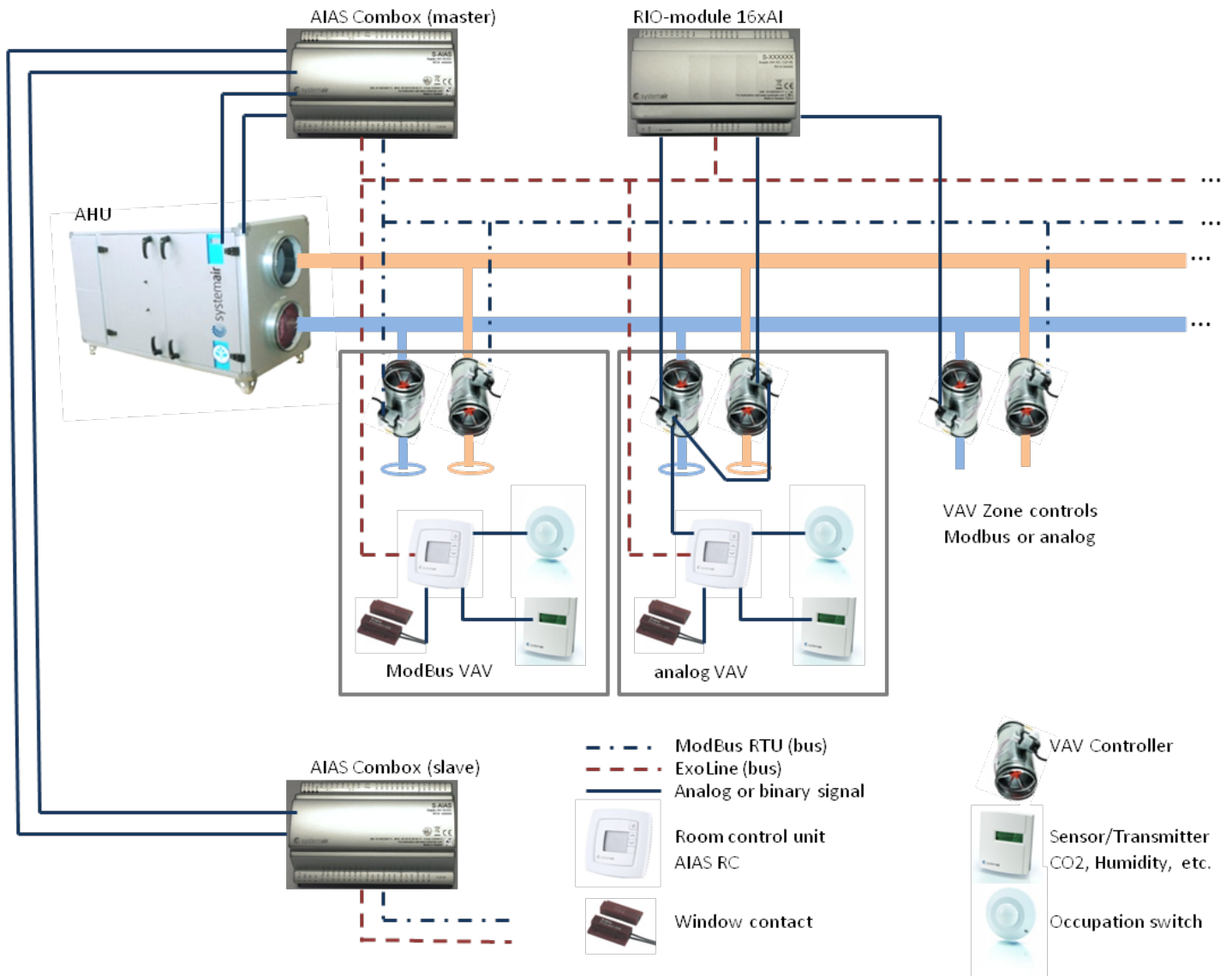


Fig 3: Aias system topology with typical IRC and other control configurations

Hardware

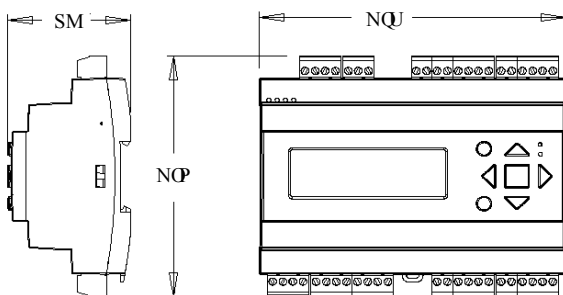
AIAS „combox“



Description

The central piece of the AIAS optimizing system for the demand oriented air handling, flow control and distribution is the AIAS “combox”. It coordinates the operation of air handling unit with all the individual room control elements by a tailored digital control solution without need of additional coding. It covers also the communication functions for direct or remote parametrizing, messaging, management, commissioning, maintenance and BMS integration. The customized set-up, recognition and assignment of the system elements at initial start-up is easy and intuitive using a setup menu.

The capacity of a single AIAS “combox” is sufficient to operate with up to 30 individual room VAV-control loops, where each can contain app. 10 data points (control and measurement variables). The positions of the VAV-controllers are examined separately air supply and for air extract. This enables AIAS “combox” to generate optimized control values individually for the supply and the exhaust fan on the AHU.



Technical data and Dimensions

Supply voltage	24V AC \pm 15%, 50...60Hz or 20...36V DC
Power requirement	3 VA (without load)
+C output	+ 24 V DC, 0.1 A, short-circuit proof
Communication	EXoline, Modbus or dial-up connection Port 1, isolated, via a built-in RS485 connector.
TCP/IP port	available
Operating system	EXoreal
Battery backup	Memory and real-time clock, at least 5 years
Ambient temperature	0...50°C
Dimensions	148 x 123 x 58 mm (W x H x D). DIN controller width: 8 1/2.
Protection class	IP20
Mounting	DIN-rail mounting or cabinet mounting
	EMC emissions & immunity standards: This product conforms to the requirements of the EMC
	Directive 2004/108/EC through product standards EN 61000-6-1 and EN 61000-6-3.
RoHS:	This product conforms to the Directive 2011/65/EU of the European Parliament and of the Council.

INPUTS	
Analogue inputs, AI	0...10 V, 0...200 mV, Pt1000, DIN Ni1000, LGNi1000, 12 bit A/D
Digital inputs, DI	Floating contact, 24 V DC, configurable for pulse input
Universal inputs,	UI AI or DI (see above)
OUTPUTS	
Analogue outputs, AO	0...10 V, 5 mA, 8 bit D/A, short-circuit proof
Digital outputs, DO	Mosfet 24 V AC/DC, 2 A. Totally max 8 A.
24 V DC output	0.1 A, short-circuit proof

Connection 10Base-T/100Base-TX auto-negotiation (RJ45).
Cable length max 100 m (min Cat 5)
Protocol EXoline-TCP
Power requirement + 2,5 VA in addition to the basic requirement
Measurements in mm

Mobile Configuration and commissioning display



Description

Directly connected to AIAS “combox” the pocket display module enables access to the system configuration and variables for reading and editing directly at site. Different user authorisation and access levels are adjustable.

Technical data and Dimensions

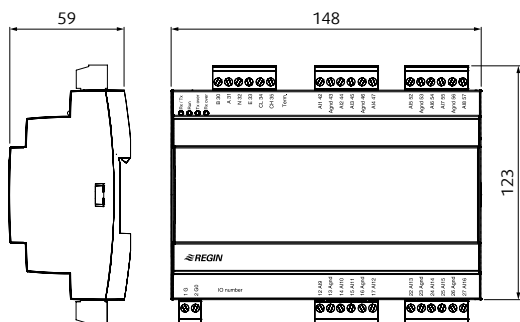
Protection class IP40
Power supply internal via communication cable from AIAS “combox”
Connection cable 3 or 10 m with RJ12 fast connector to AIAS “combox”
Display backlit, LCD, 4 rows with 20 characters
Character height 4.75 mm

AIAS Remote I/O modul 16x AI



Description

The RIO module can be used if additional measurement of analog values is required by the system. The unit communicates the values via ExoLine data bus to the AIAS “Combox” - max. two RIO modules. The 16 analog inputs are configurable for signals of DC 0-10V, 4-20mA, resistive load 10kOhm, Pt100, Ni100. This makes possible connecting of different measuring transmitters. The 10kOhm input can be used for connecting the VAV-feedback signals from the VAV controllers without bus connectivity (common in retrofit).



Technical data and Dimensions

Supply voltage	24 V AC/DC ±15 %, 50...60 Hz
Power consumption	Max. 3.5 VA
Communication	EXOline, CAN-Bus
Operating temperature	0...50°C
Storage temperature	-20...+70°C
Ambient humidity (operation)	Max. 90 % RH
Protection class	IP20
Mounting	DIN-rail or in a standard casing
Dimensions	148 x 123 x 59 mm (WxHxD) incl. terminals
DIN-rail module width	8.5

INPUTS	
Analogue inputs, AI	PT1000, Ni1000 (only CAN-Bus), micro-sensors, 0...10 kΩ, 0...10 V, 0(4)...20 mA
EMC emissions & immunity standards:	Low Voltage Directive (LVD) standards: This product conforms to the requirements of the European Low Voltage Directive (LVD) 2006/95/EC through product standards EN 60730-1 and EN 60730-2-9.
EMC emissions & immunity standards:	This product conforms to the requirements of the EMC Directive 2004/108/EC through product standards EN 61000-6-3:2001 and EN 61000-6-1:2001.
RoHS:	This product conforms to the Directive 2011/65/EU of the European Parliament and of the Council.

AIAS Room Controller RC-C3DOC



Description

The room controller manages the room air quality by measuring the actual selected value like temperature, CO₂ content, humidity etc. Compared with setpoint the control value for connected VAV controller(s) is generated. Override functions like occupancy, window contact, external emergency interlocks, change-over, free cooling are available.

The bus communication with AIAS „combox“ passes via ExoLine.

Technical data and Dimensions

Supply voltage	18...30 V AC, 50...60 Hz
Internal consumption	2.5 VA
Ambient temperature	EXoLine, CAN-Bus
Ambient humidity	Max 90 % RH
Storage	-20...+70°C
Terminal blocks	Lift type for cable cross-section 2.1 mm ²
Protection class	IP20
Material casing	Polycarbonate, PC

COLOUR	
Cover	Polar white RAL9010
Bottom plate	Light gray

Weight	110 g
Dimensions	95 x 95 x 28 mm

COMMUNICATION	
Type	RS485 (EXoLine)
Communication speed	9600, 19200, 38400 bps (EXoLine)
Galvanically isolated port	No
Memory	
Non-volatile (EEPROM)	All settings and configurations are preserved

BUILT-IN TEMPERATURE SENSOR	
Type	NTC, linearised, 15 kOhm
Measuring range	0...50°C
Accuracy	+/-0.5°C at 15...30°C
Display type	LCD with background illumination

LVD, Low Voltage Directive	This product conforms with the requirements of European LVD standard IEC 60 730-1. EMC emission and immunity standard. This product conforms to the requirements of the EMC Directive 2004/108/EC through product standards EN 61000-6-1 and EN 61000-6-3.
-----------------------------------	--

RoHS	This product conforms to the Directive 2011/65/EU of the European Parliament and of the Council.
-------------	--

INPUTS	
AI1	PT1000-sensor, 0...50°C, accuracy +/- 0.1°C
UI	AI: PT1000-sensor, 0...100°C, accuracy +/- 0.2°C or AI2: 0...10 V or DI
CI	Window contact
DI	Closing potential-free contact connected to +C in one end
OUTPUTS	
UO	DO:24 V AC, max 2.0 A or AO:0...10 V DC, max 5 mA
+C, power output for DI only	24 V DC, max 10mA, short circuit protected

Installation

General conditions

It is recommended to use shielded twisted pair cables for communication between main controller, room units and damper actuators. These cables must be separated from power supply cables for equipments like motors to prevent interferences. As much distance as possible should exist between communication and power supply cables, especially if they are installed parallel to each other. Maximum length for communication cable is 300 meters. For longer distances the bus repeaters shall be installed. If necessary, 24 V power supply can be in the same cable as bus communication. Cable section and distances change depending on number of room units and actuators.

For AC 24V it is recommended to use a safety transformer. For transformer size (VA), it is necessary to add all power values from main controllers and RIO modules (12 VA each), damper actuators (6 VA each), room units (2,5 VA each) and CO2 sensors (3 VA each for Systemair transmitters, other brands to be confirmed). Based on total VA power for AC 24V power supply, recommended cable section and maximum length can be determined according with type of cable used. For DC 24V it is recommended to use a rectified AC power supply with a filter capacitor. For transformer size (W), it is necessary to add all power values from main controllers (6 W each), damper actuators (3 W each), room units (1,5 W each) and CO2 sensors (3 W each for Systemair transmitters, other brands to be confirmed). Based in total W power for DC 24V power supply, recommended cable section and maximum length can be determined according to the type of cable used.

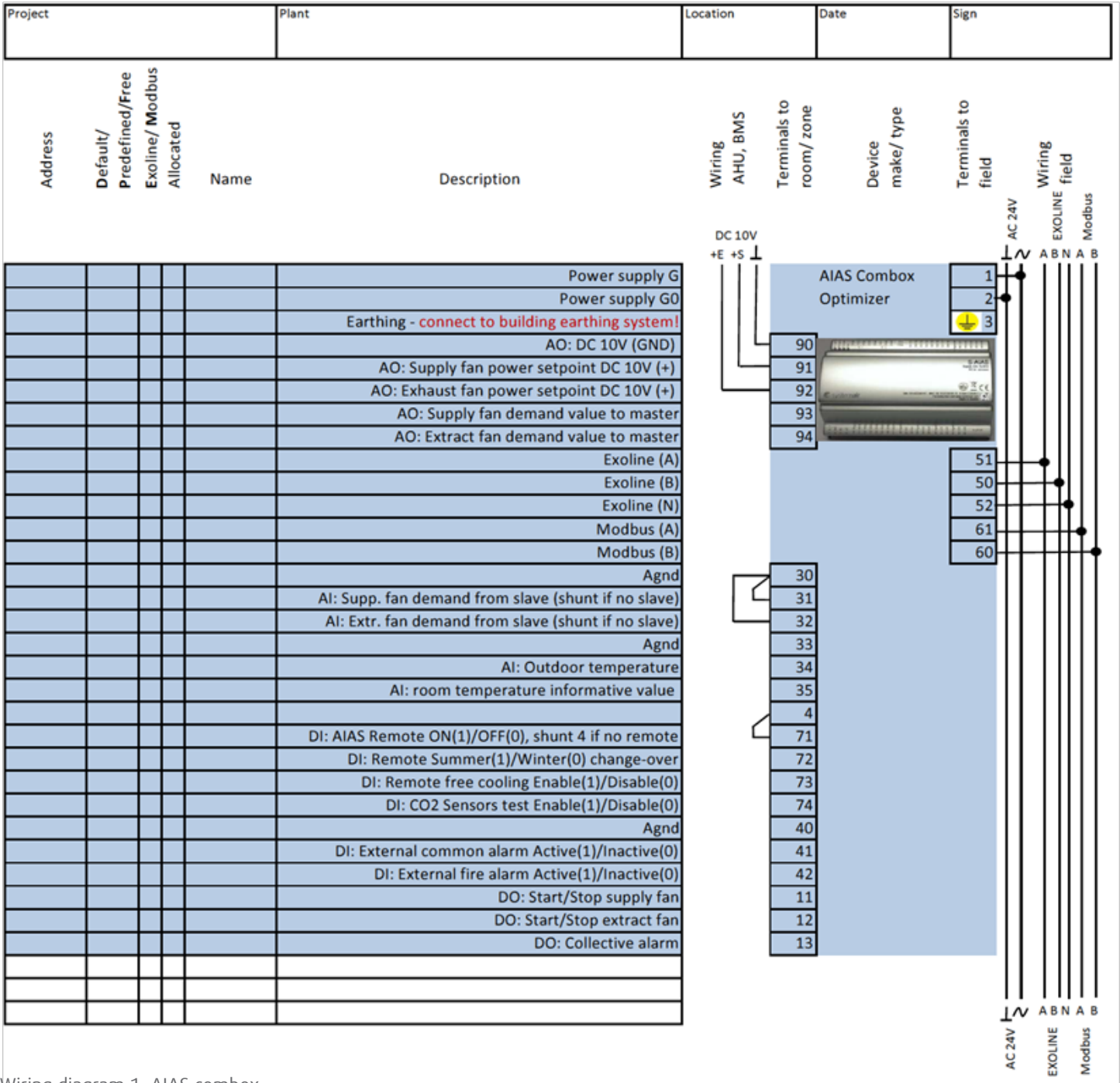
Wiring / Connection

For a well defined, clearly arranged and easily maintainable wiring and connection of the AIAS system and supporting components it is recommended to use standard electrical connection boxes and switchboards with precisely described terminal bars completed by a skilled electrician.

Due to a partially free customizable hardware configuration it is recommended to use Connection/Allocation sheets. See below the previews. The original A3-format sheets can be printed from separate PDF file. They cover the basic hardware arrangements of central control- and RIO modules, room controls. They can be manually edited, adapted and filled with information about addressing, virtual and physical allocation of measurement and control points and operational variables.

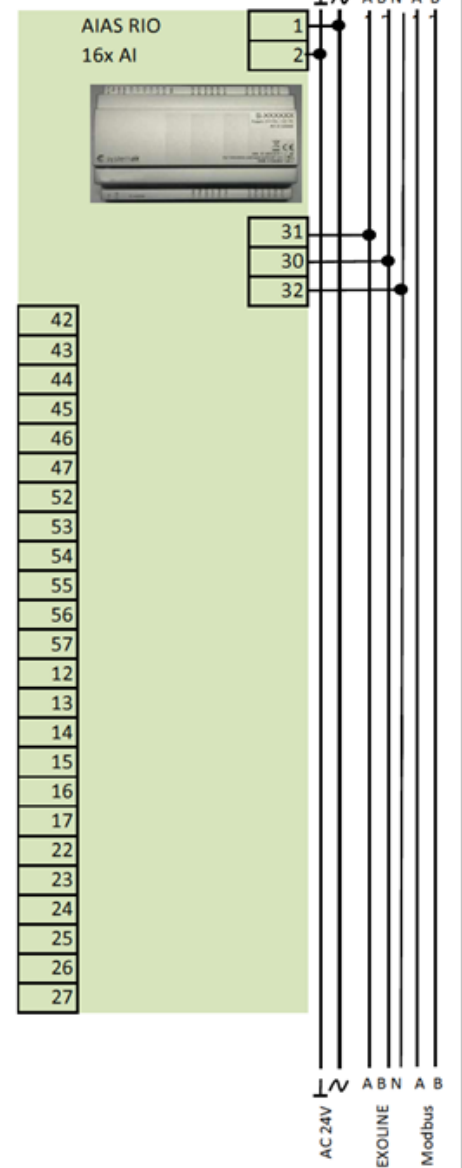
Important wiring and connection details for easy setup and operation of the system:

1. The AIAS Combox must be connected to the general earthing system of the site by the terminal 3.
2. The 24V power supply common potential (G0) connected to the AIAS Combox terminal 2 must be correctly connected to all the system elements like room controllers and VAV dampers by G0 common potential terminals. The power supply phase potential (G) connected to the terminal 1 on the AIAS Combox must be correctly connected to all the system elements like room controllers, VAV dampers etc. by the G poer supply phase terminals.
3. The Exoline communication must be connected correctly to all communicating devices: The line A to A-terminals and the line B to B-terminals without crossing them.
4. The Modbus communication must be connected correctly to all communicating devices: The line A to A-terminals and the line B to B-terminals and line N to N-terminals without crossing them.
5. If only one AIAS-Combox is used for the zone optimization, so there is no slave unit sending analog setpoint values for fans to this combox, the terminals 31 and 32 must be connected to the terminal 30.
6. If no remote ON/OFF signal for AIAS-Combox is connected, then the terminals 71 and 4 shall be connected together.

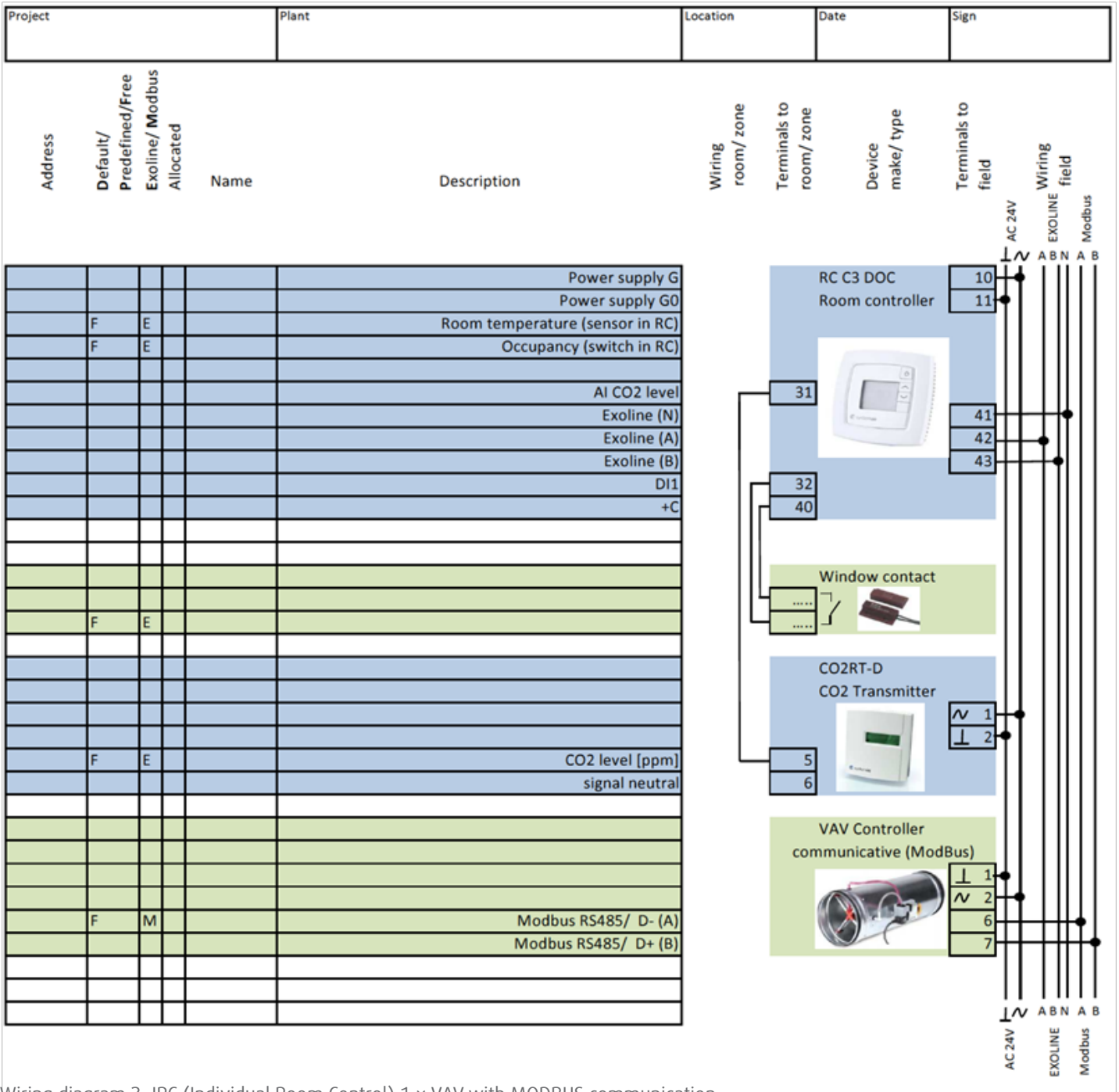


Wiring diagram 1: AIAS combox

Project		Plant		Location		Date		Sign	
Address	Default/ Predefined/Free Exoline/Modbus Allocated	Name	Description	Wiring room/ zone	Terminals to room/ zone	Device make/ type	Terminals to field	Wiring field	Modbus
			Power supply G				1	AC 24V	
			Power supply G0				2	AC 24V	
			Exoline (A)				31	EXOLINE	A
			Exoline (B)				30	EXOLINE	B
			Exoline (N)				32	EXOLINE	N
			AI1:		42				A
			Agnd		43				B
			AI2:		44				A
			AI3:		45				B
			Agnd		46				N
			AI4:		47				A
			AI5:		52				B
			Agnd		53				N
			AI6:		54				A
			AI7:		55				B
			Agnd		56				N
			AI8:		57				A
			AI9:		12				B
			Agnd		13				N
			AI10:		14				A
			AI11:		15				B
			Agnd		16				N
			AI12:		17				A
			AI13:		22				B
			Agnd		23				N
			AI14:		24				A
			AI15:		25				B
			Agnd		26				N
			AI16:		27				A

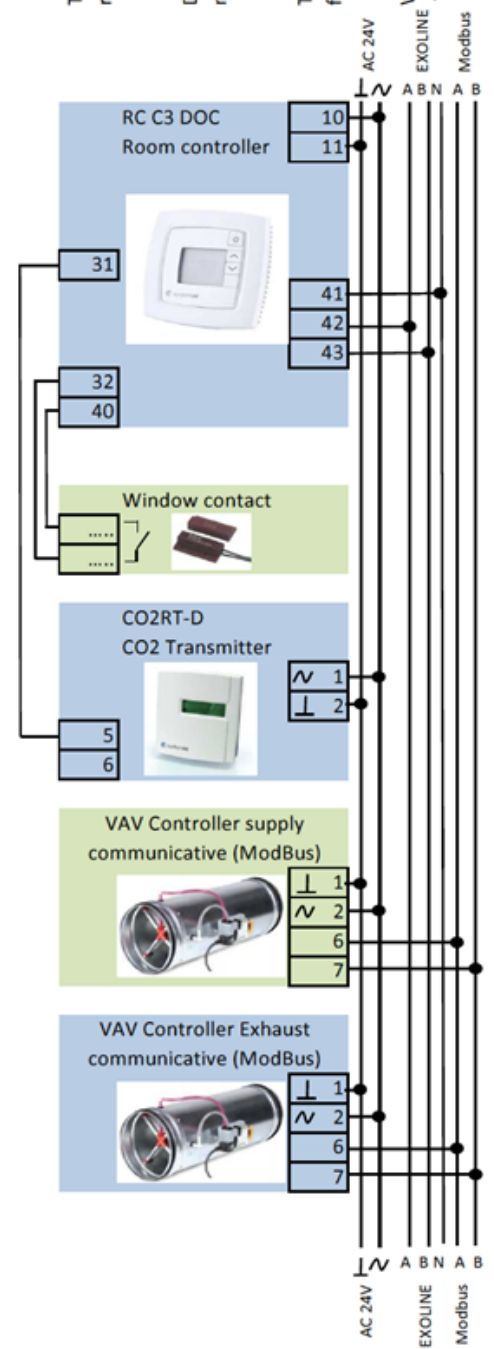


Wiring diagram 2: AIAS RIO module



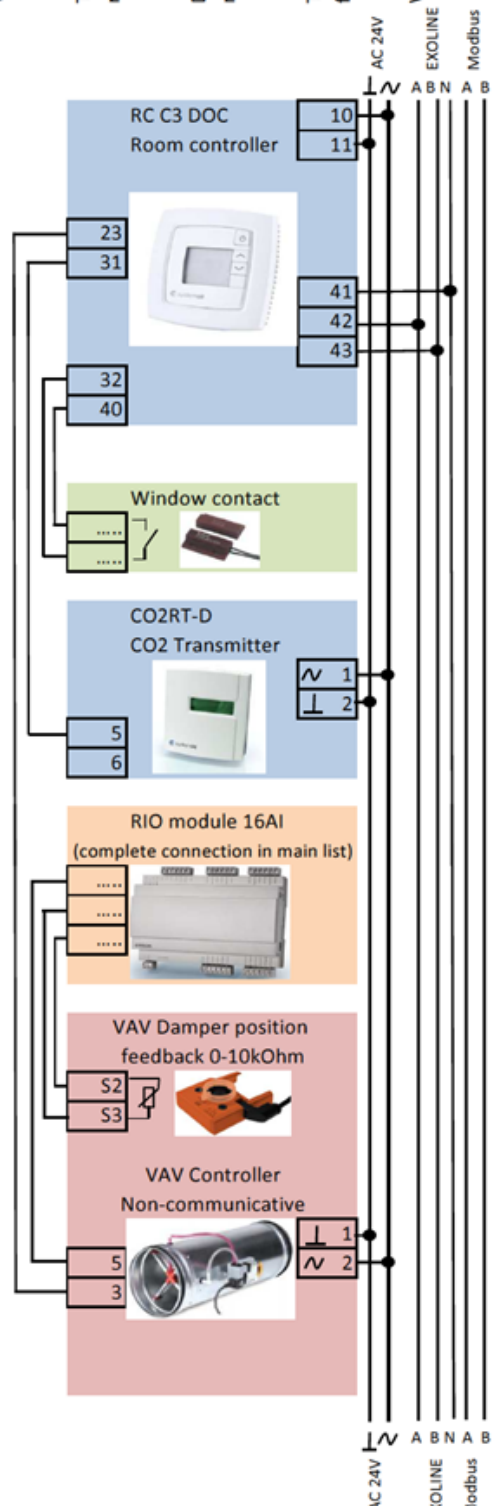
Wiring diagram 3: IRC (Individual Room Control) 1 x VAV with MODBUS communication

Project		Plant		Location		Date		Sign	
Address	Default/ Predefined/Free Exoline/Modbus Allocated	Name	Description	Wiring room/ zone	Terminals to room/ zone	Device make/ type	Terminals to field	Wiring field	Modbus
			Power supply G						
			Power supply G0						
F	E		Room temperature (sensor in RC)						
F	E		Occupancy (switch in RC)						
			AI CO2 level						
			Exoline (N)						
			Exoline (A)						
			Exoline (B)						
			D11						
			+C						
F	E								
F	E		CO2 level [ppm]						
			signal neutral						
F	M		Modbus RS485/ D- (A)						
			Modbus RS485/ D+ (B)						
F	M		Modbus RS485/ D- (A)						
			Modbus RS485/ D+ (B)						



Wiring diagram 4: IRC (Individual Room Control) 2 x VAV with MODBUS communication

Project	Plant		Location	Date	Sign					
Address	Default/ Predefined/Free Exoline/Modbus Allocated		Name	Description	Wiring room/ zone	Terminals to room/ zone	Device make/ type	Terminals to field	Wiring field	Modbus
				Power supply G				10		
				Power supply G0				11		
	F	E		Room temperature (sensor in RC)				41		
	F	E		Occupancy (switch in RC)				42		
				UO3 VAV Setpoint				43		
				AI CO2 level						
				Exoline (N)						
				Exoline (A)						
				Exoline (B)						
				DI1						
				+C						
	F	E								
	F	E		CO2 level [ppm]				1		
				signal neutral				2		
	P-F	E		Analog input AI.....						
				Ground for analog input						
	P-F	E		Analog input AI.....						
	F	E		VAV-Actual flow value 0-10V				1		
	F	E		VAV-Setpoint 0-10V				2		

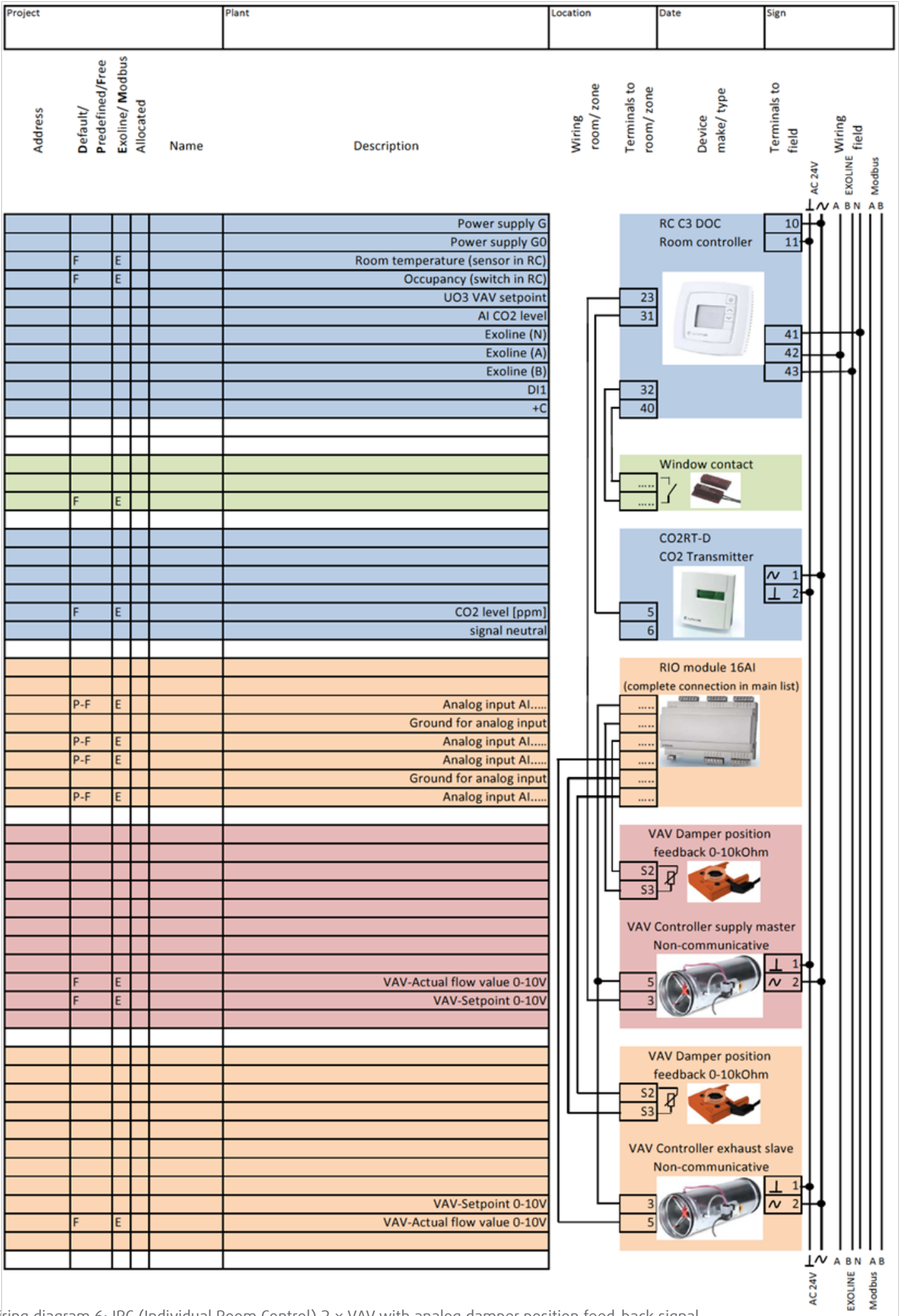


AC 24V

EXOLINE A B N A B

Modbus A B

Wiring diagram 5: IRC (Individual Room Control) 1 × VAV with analog damper position feed-back signal



Wiring diagram 6: IRC (Individual Room Control) 2 x VAV with analog damper position feed-back signal

System Configuration

Addressing

The communicating system components like room controllers, VAV controllers, remote I/O modules must have assigned unique addresses identifying them at the bus communication.

The unique addresses of the room controllers and the RIO modules communicating on EXOLine are set for each device by the manufacturer. They are composed of two numbers PLA(3 digits), ELA(3 digits). They can be found on the labels and stickers attached to each device (refer also to user manuals of these devices).

The VAV controllers (Systemair Optima-BLC1MOD) communicating on Modbus have to be assigned before operation. This is done by using the ZTH-GEN or ZTH-EU configuration tool from Belimo.

Connect the VAV controller to the power supply (wires 1,2).

Use the cable ZK1-GEN from Belimo connected to the configuration tool from one side and to the VAV controller (bayonet socket on the controller front).

Scroll the menu on the tool (keys arrows up/down) down to point "MOD address" Change the address value (keys +/-), confirm (key OK) – the address is set.

Disconnect tool from controller.

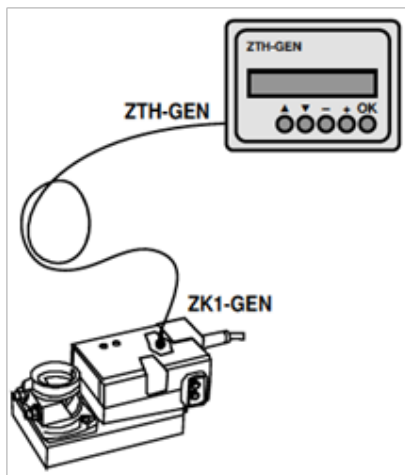


Fig 4: Connection of ZTH-GEN (ZTH-EU) to VAV compact controller

The addresses must be set from 1 to 30 for each controller connected to the same AIAS-Combox (no double assignment of the same number to different controllers!). The addressing of the VAV controllers must be **continuous**, e.g. „1, 2, 3, 4, 5“ etc. It must NOT contain unassigned numbers e.g. „1, , 3, , 5“ etc. The controllers connected to different AIAS-Combox units can have the same addresses.

In the configuration menu these VAV-controllers with their addresses (MOD1 to MOD30) shall be assigned each to one of the the program modules called Damper 1 to Damper 30 (see details in chapter „AIAS control/configuration menu“). So the AIAS system can identify the connected VAV controllers by their unique Modbus addresses.

AIAS Configuration Tools

The AIAS system is based on pre-programmed software modules that can be assigned to physical objects (sensors, controllers, actors), activated and adjusted in configuration menu by a display tool.

The mobile display tool can be connected to AIAS Combox by a cable with RJ12 connector.

Lower the main configuration points are shown (pages 17 - 22).

The menu can be navigated on 4-line text display by arrows-pushbuttons

The Left/Right buttons navigate between higher and lower levels of the menu structure.

The Up/Down buttons navigate the choices on a single menu level and allow to change the variable values.

The OK button confirms the choice in the menu or the chosen variable values.

The ESC button interrupts the the actual step of setup without saving the changes.

The orange LED flashing light indicates possibility to change and save variable values on the actually chosen menu point.

AIAS control/configuration menu

