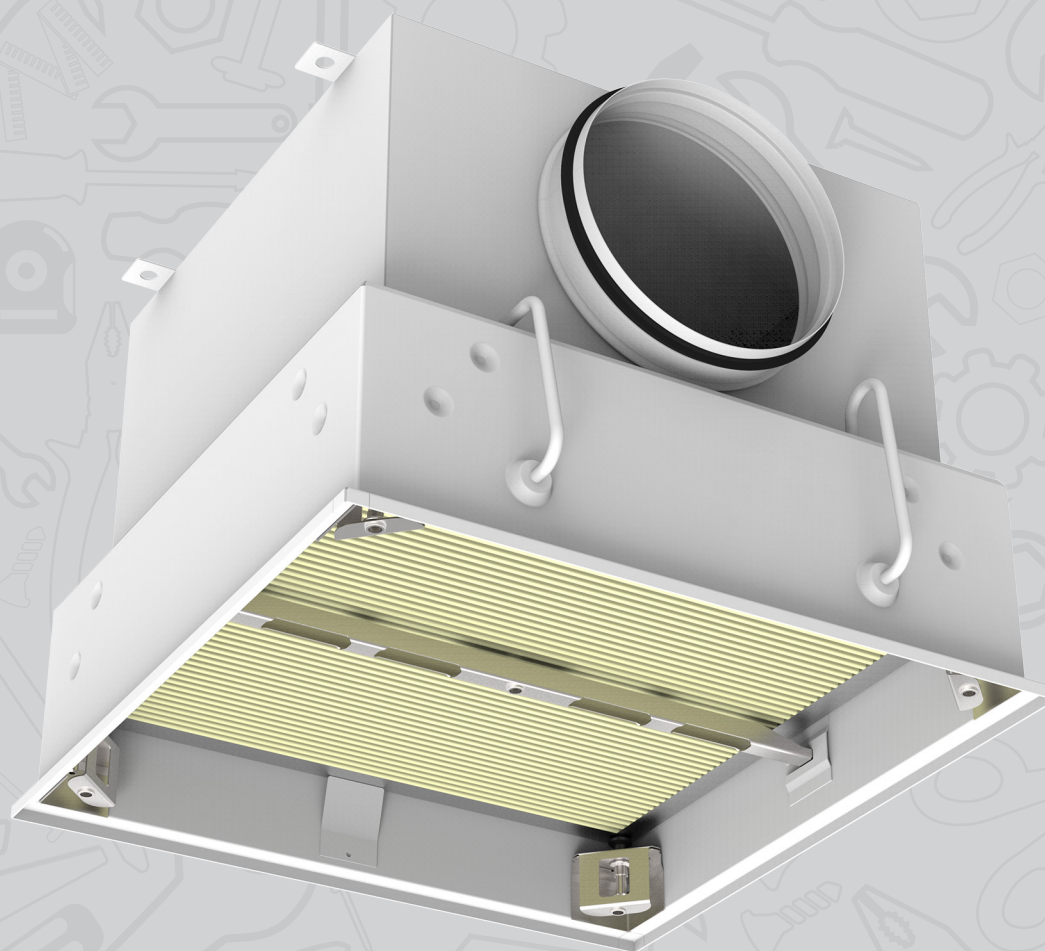


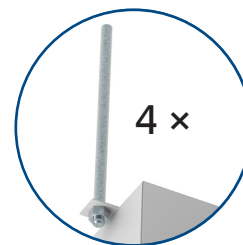
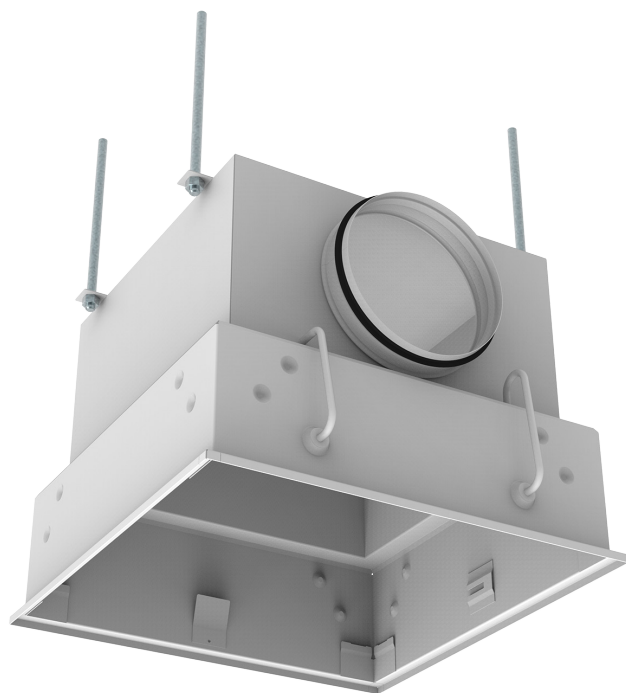
CFC

Installation, maintenance and operation instructions

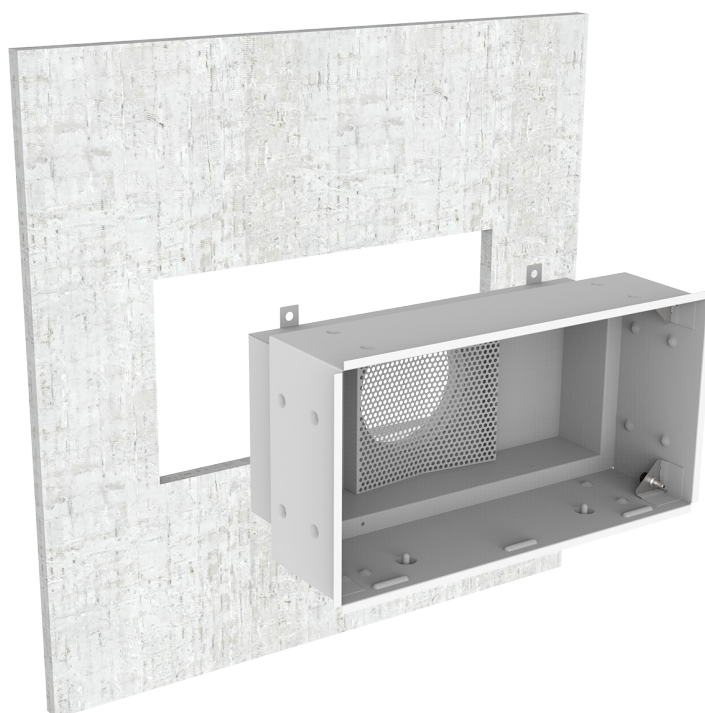


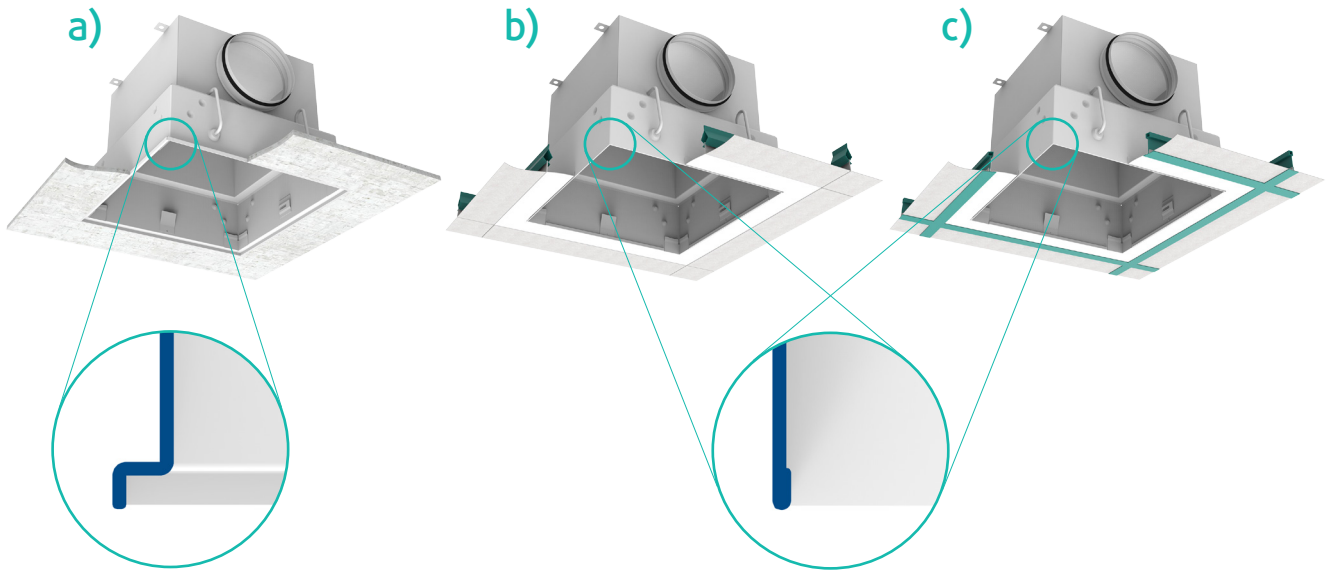


CFC-C, -B, -G, -R

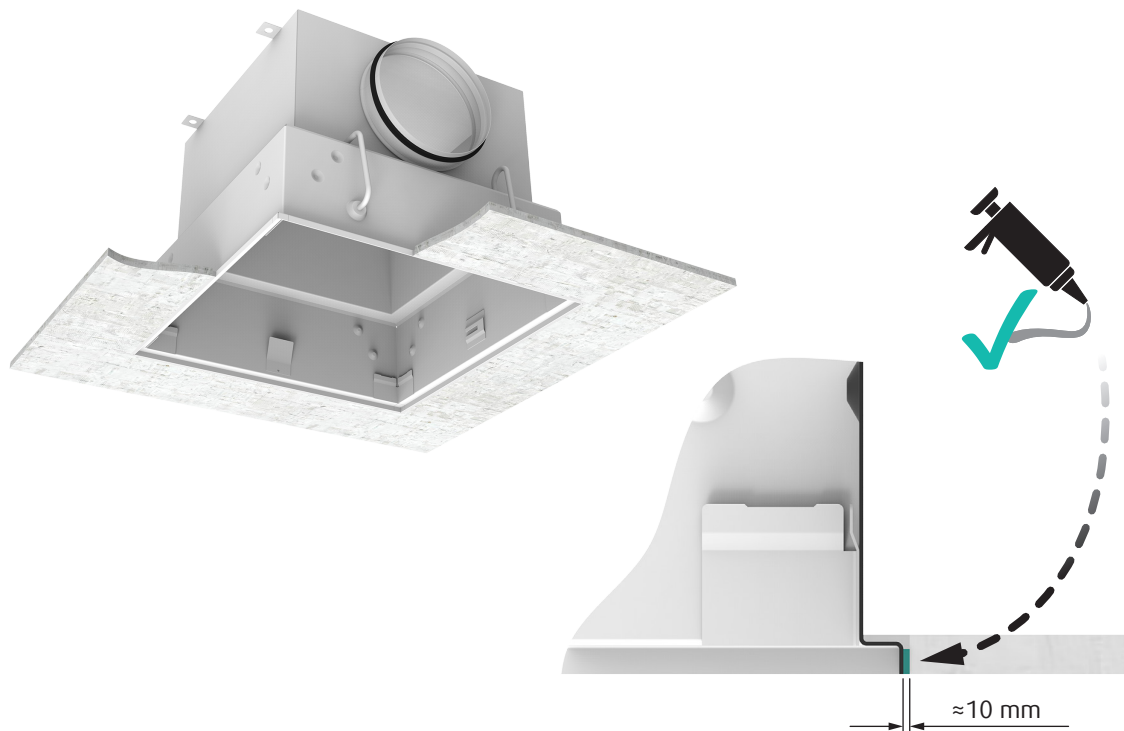


CFC-W

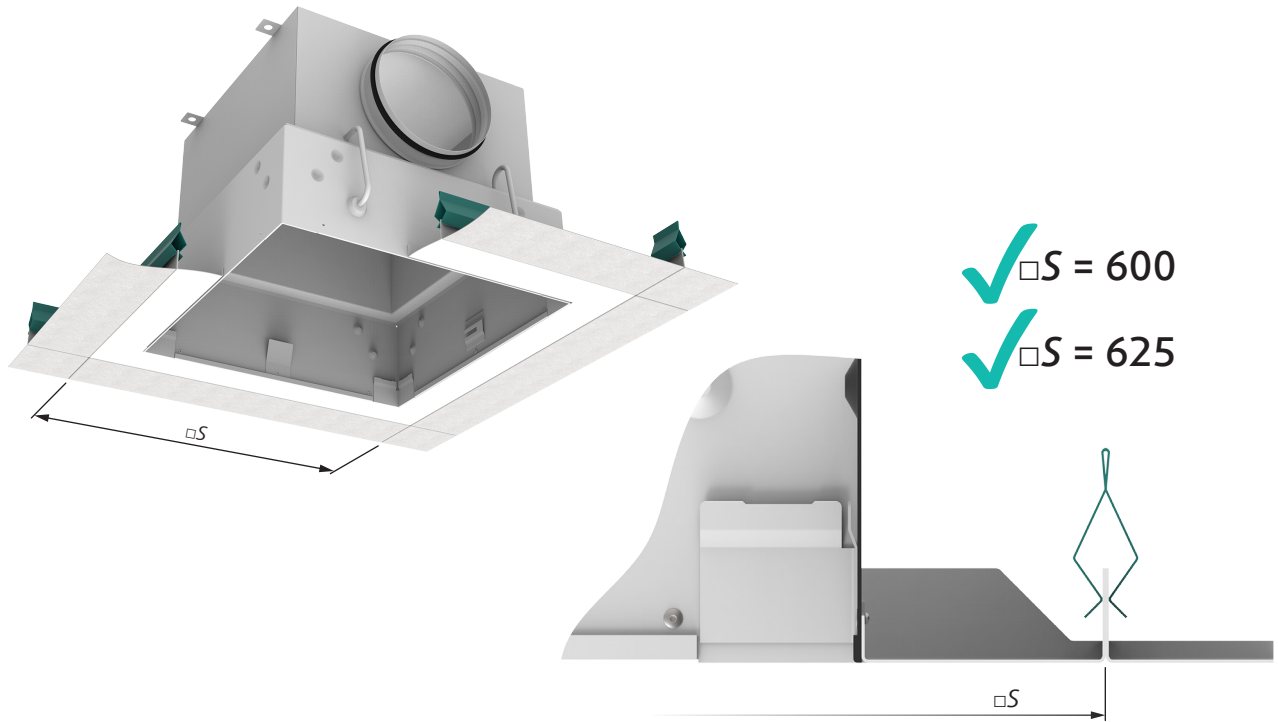




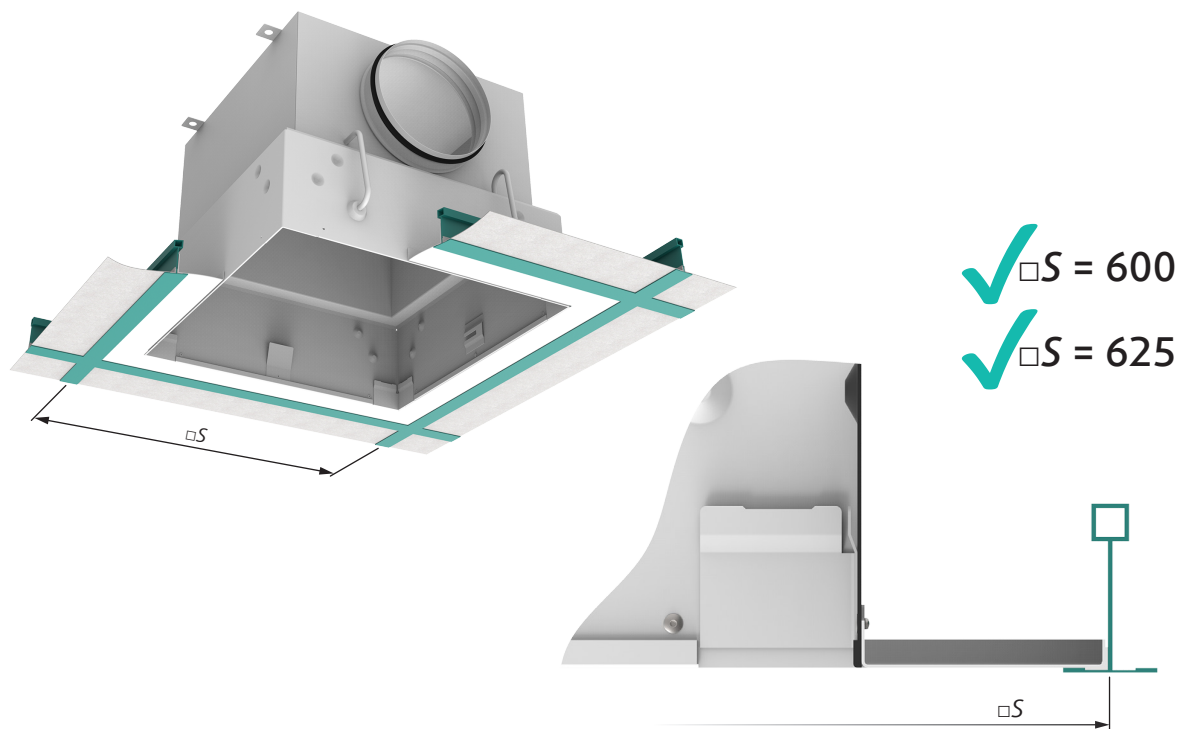
a) CFC-C, -B, -G, -R

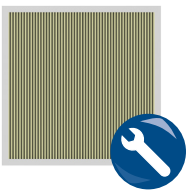


b) CFC-C, -B, -R



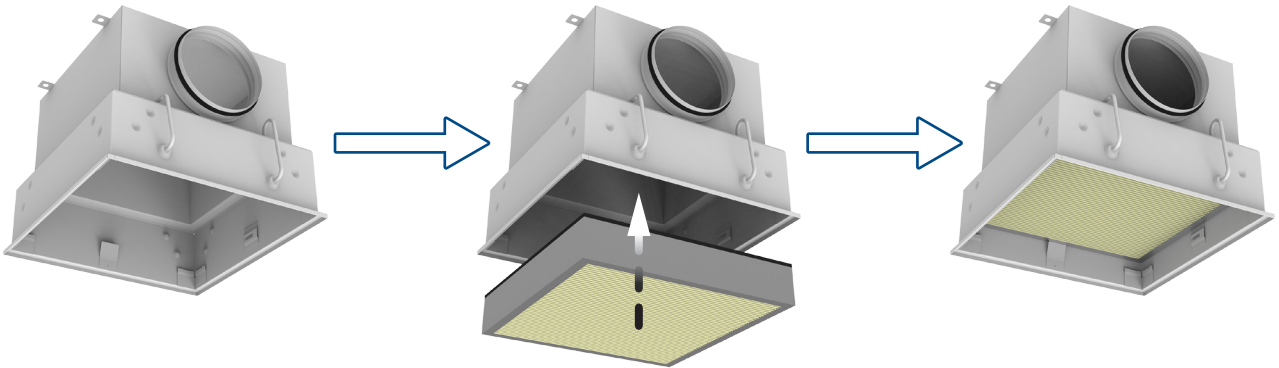
c) CFC-C, -B, -R



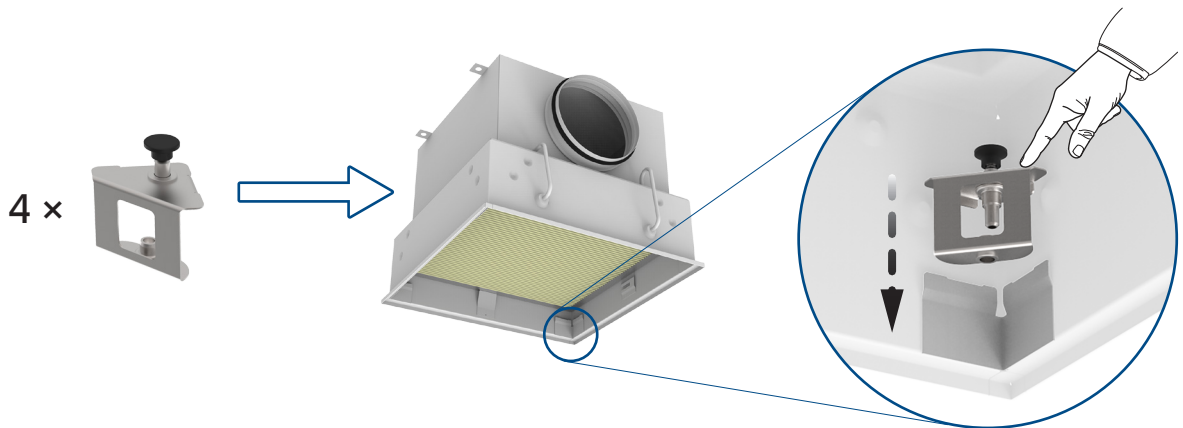


CFC-C, -B, -R

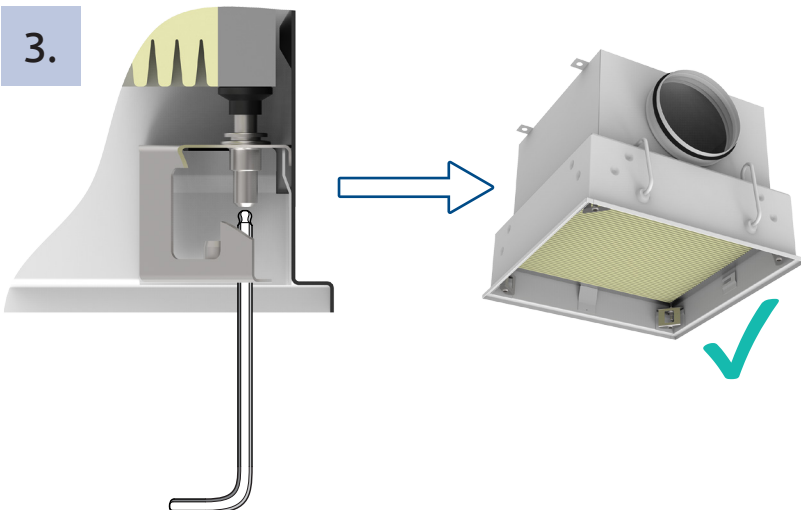
1.

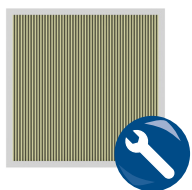


2.



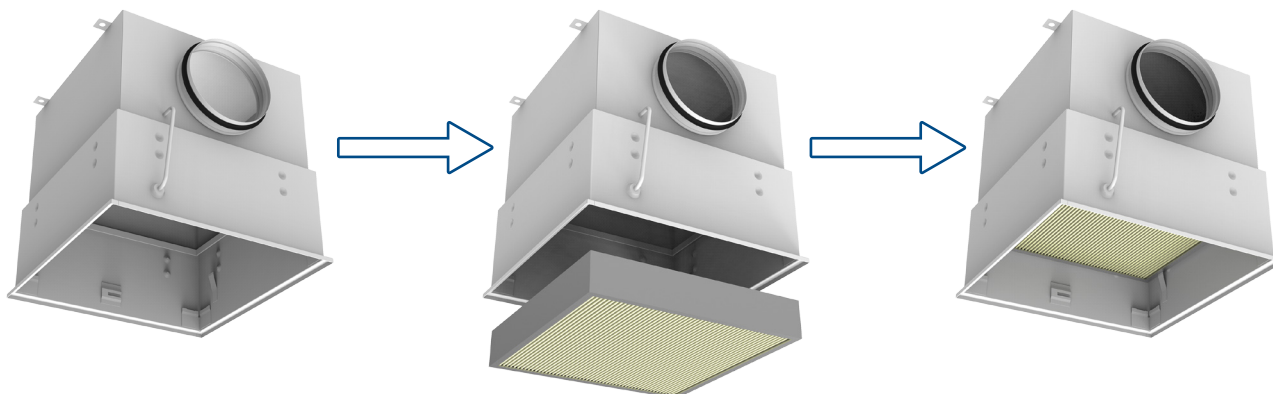
3.



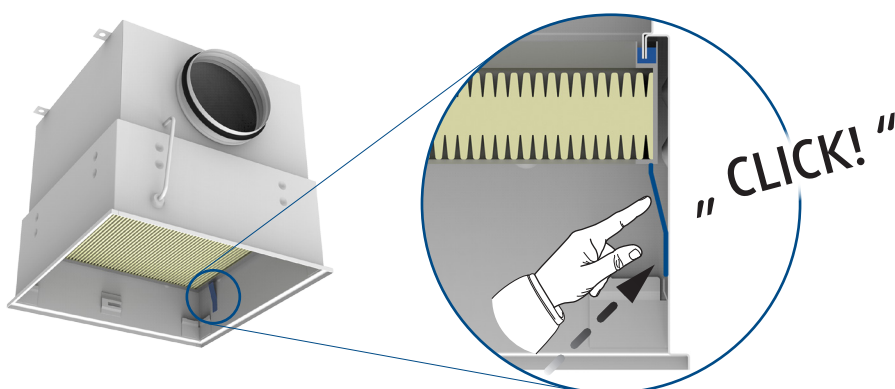


CFC-G

1.



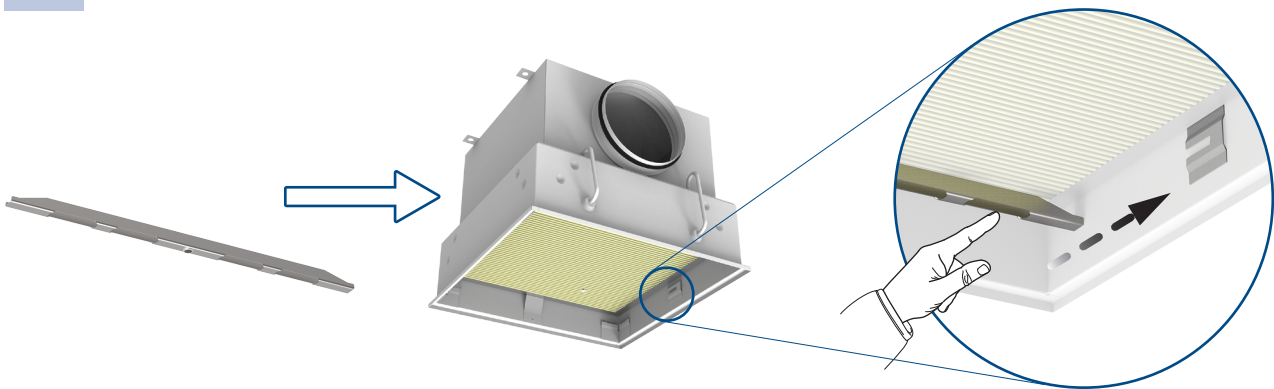
2.



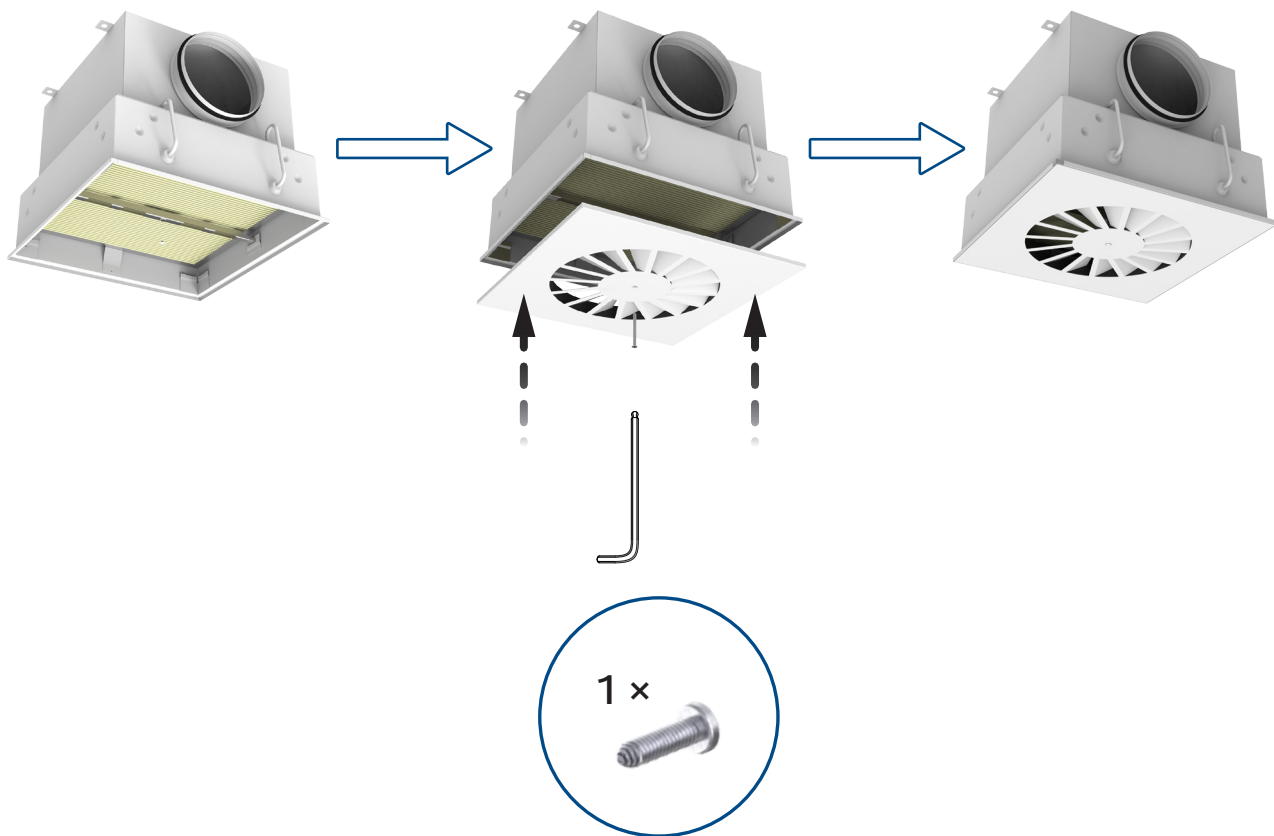


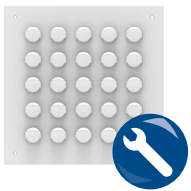
CFC-C, -B, -G, -R
+
CFC-AQ, -VR, -VN

1.



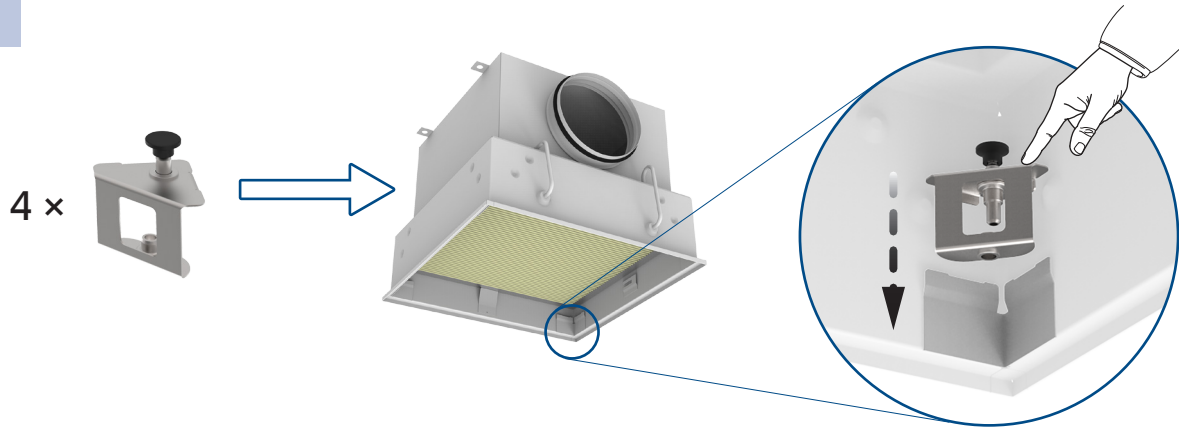
2.



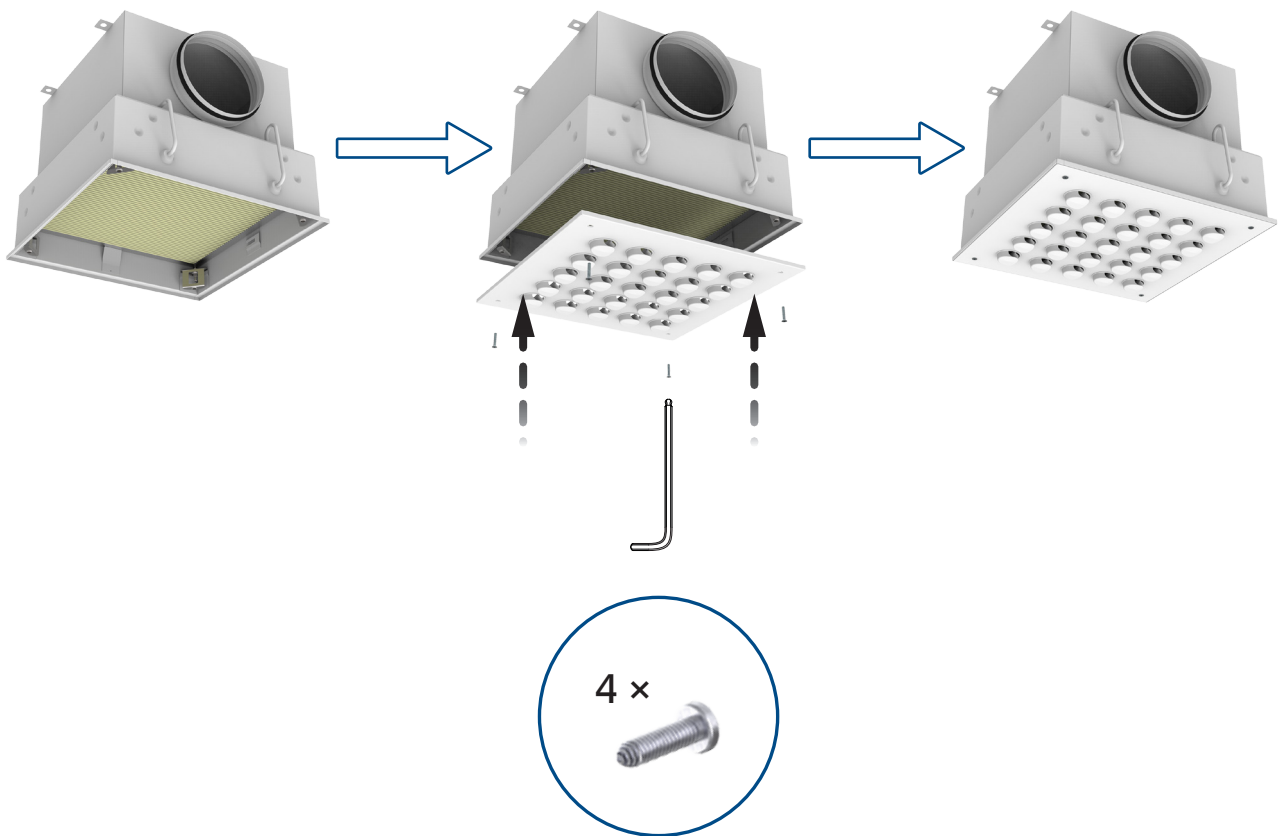


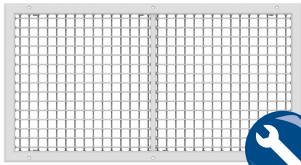
CFC-C, -B, -G, -R
+
CFC-PP, -SF

1.

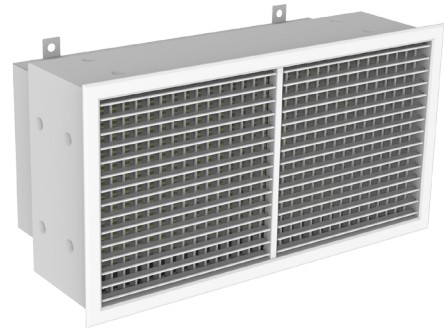
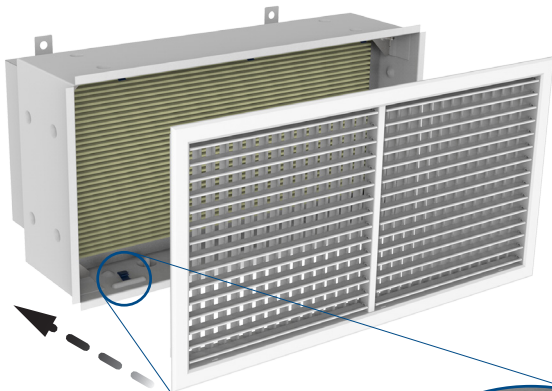


2.

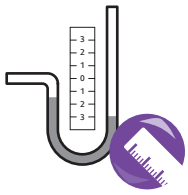




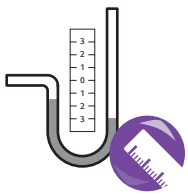
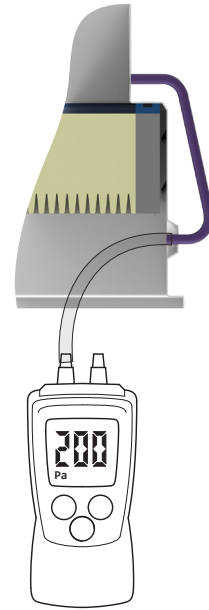
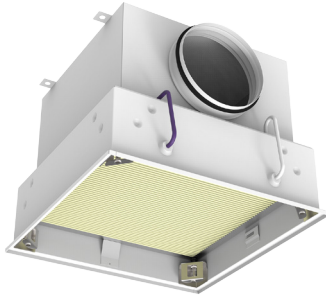
CFC-W + CFC-NA



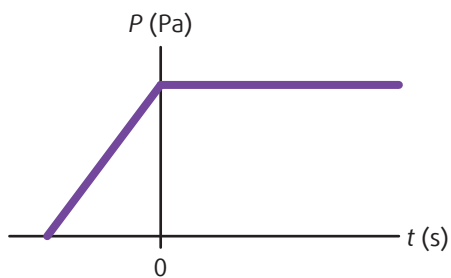
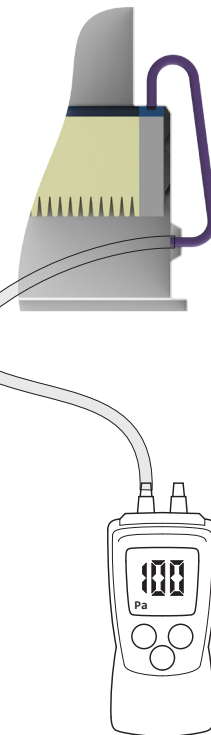
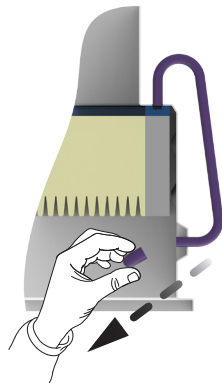
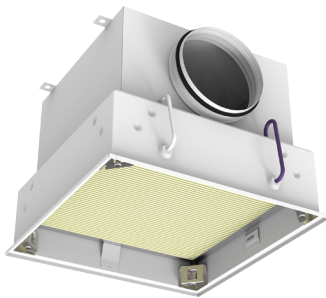
" CLICK! "



CFC-C, -B, -G, -R, -W



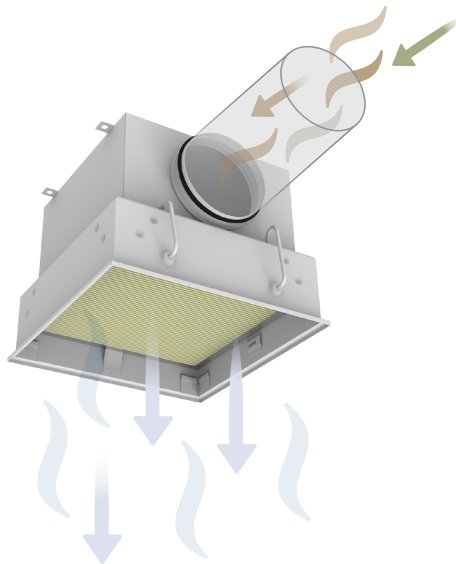
CFC-C, -B, -R, -W





°C -20°C ... +50°C

% ≤ 95 %



°C 0°C ... +50°C

% ≤ 95 %

