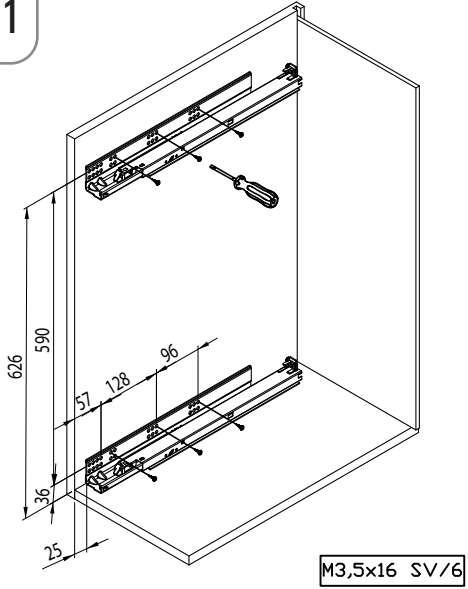
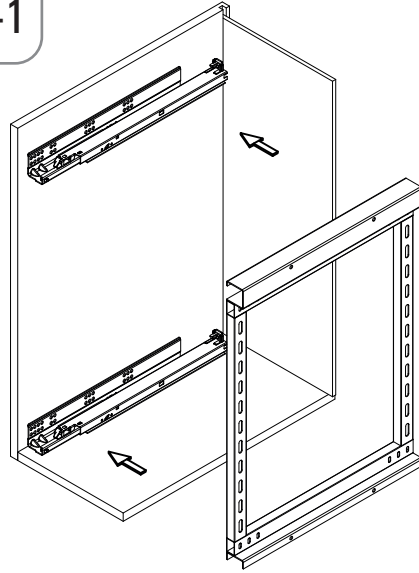


- YANDAN GİZLİ RAYLI ÜNİTE (90 DERECE) MONTAJ ŞEMASI
- UNIT WITH SIDE UNDERMOUNT RAIL (90 DEGREES) MOUNTING INSTRUCTIONS

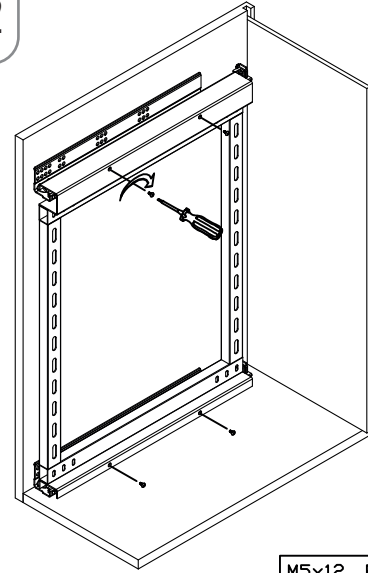
A-1



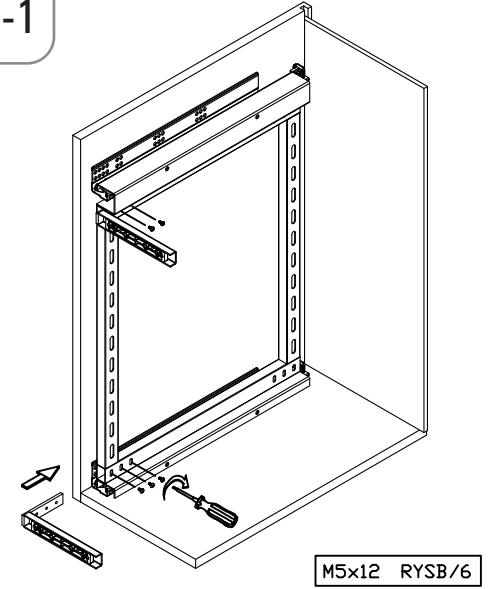
B-1



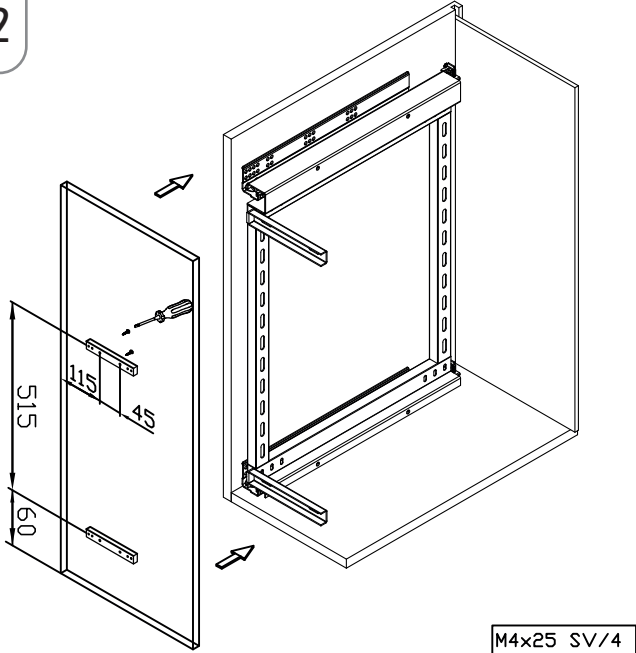
B-2



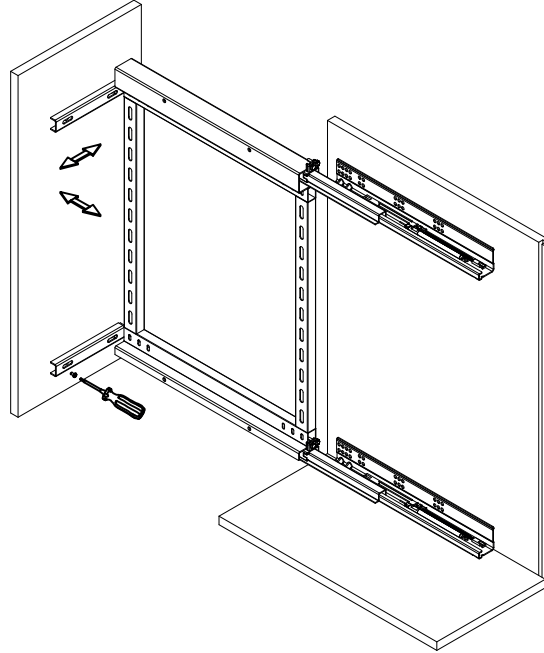
C-1



C-2



C-3



D-1

