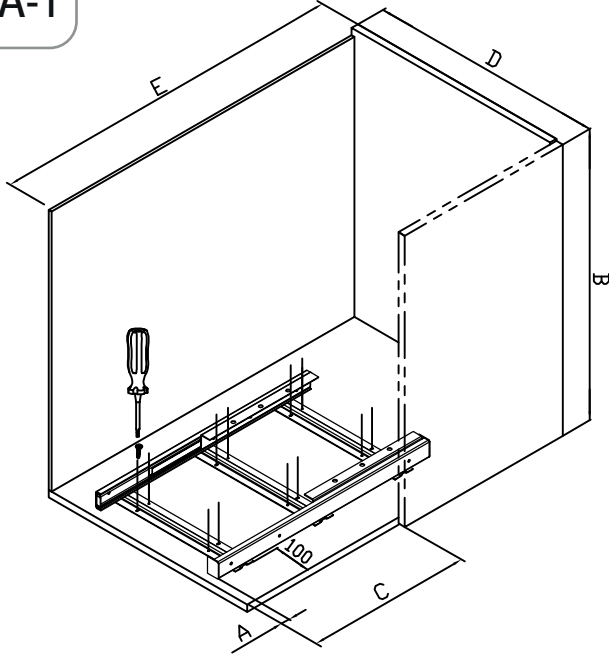


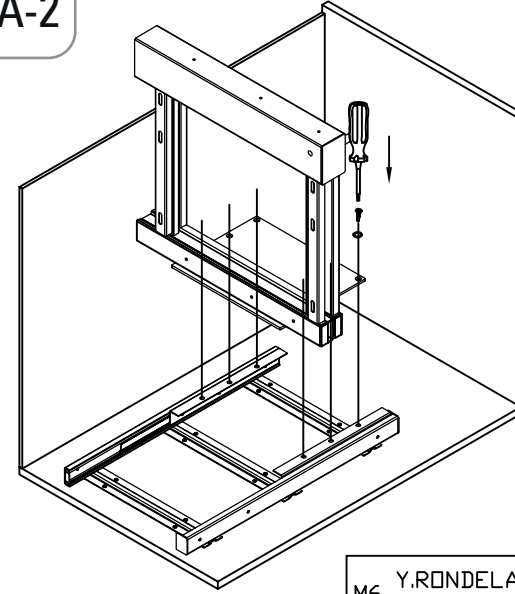
A-1



	S-3005 S-3006	S-3007 S-3008	S-3009 S-3010	S-3111 S-3112
A	0	25	25	80
B	min 600	min 600	min 600	min 600
C	400	450	500	550
D	min 550	min 550	min 550	min 550
E	min 620	min 720	min 720	min 820

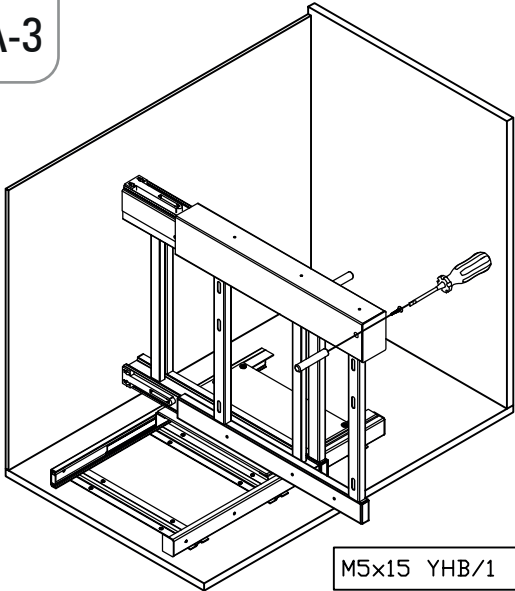
3,5x16 SV/12

A-2



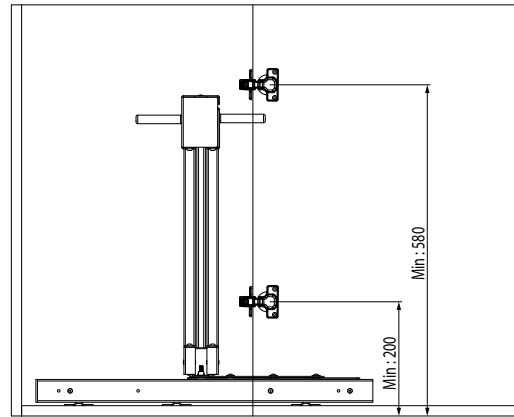
M6 Y.RONDELA/6
S.WASHER/6
M6x20 RYSB/6

A-3

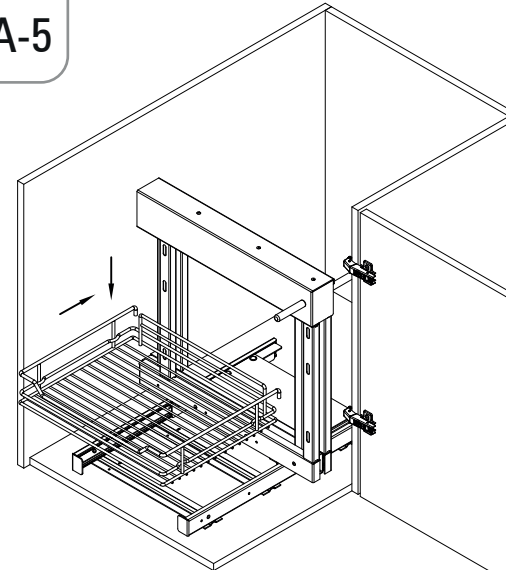


M5x15 YHB/1

A-4



A-5



NO	PARÇA RESMİ/ PART DRAWING	AD./PCS.
1		1
2		1
3		4
4		1
5	3,5x16 SUNTA VİDASI C.SCREW	12
	M6 YAYLI RONDELA SPRING WASHER	6
	M6x20 RYSB VİDASI RYSB SCREW	6
	M5x15 YHB VİDASI YHB SCREW	1