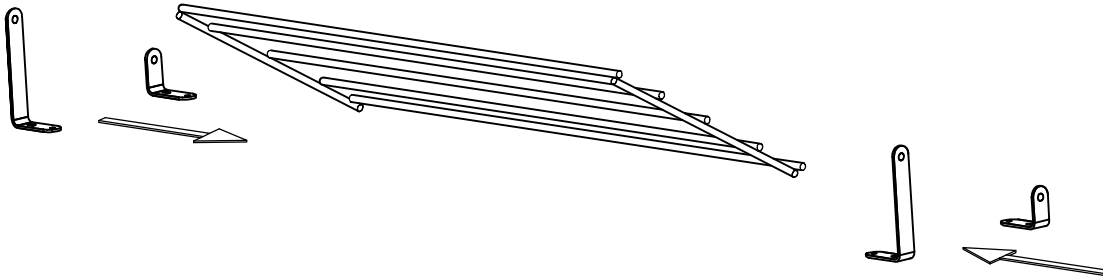
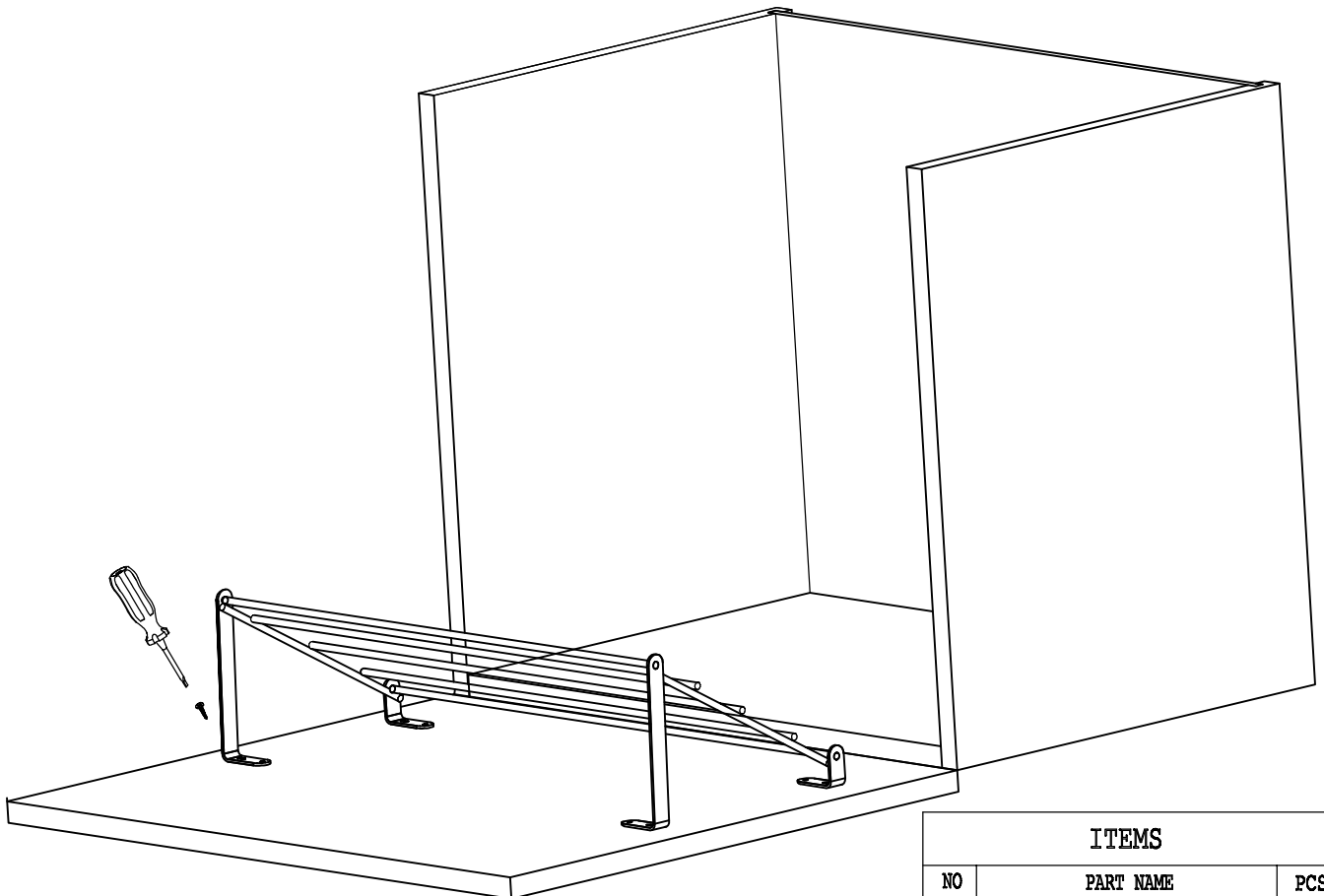


ONE SHELVES OF SHOE HOLDER MOUNTED TO LID MOUNTING INSTRUCTIONS

1- Attach the long wires end of shoes divisans to holes located long and small L-shaped parts.



2- Fix long and small L-shaped part to cabinet doors with chipboard screw.



| ITEMS | | |
|-------------------|---------------------|------------------|
| NO | PART NAME | PCS. |
| 1 | LONG L-SHAPED PART | 2 |
| 2 | SMALL L-SHAPED PART | 2 |
| 3 | SHOES DIVISION | 1 |
| STOCK CODE: SMA38 | | IMAGE NO: RSM187 |