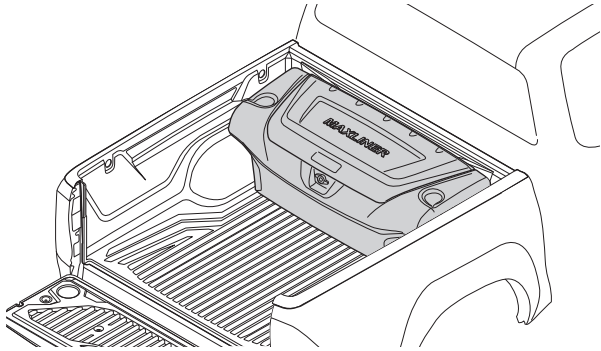




INSTALLATION INSTRUCTIONS MANUAL



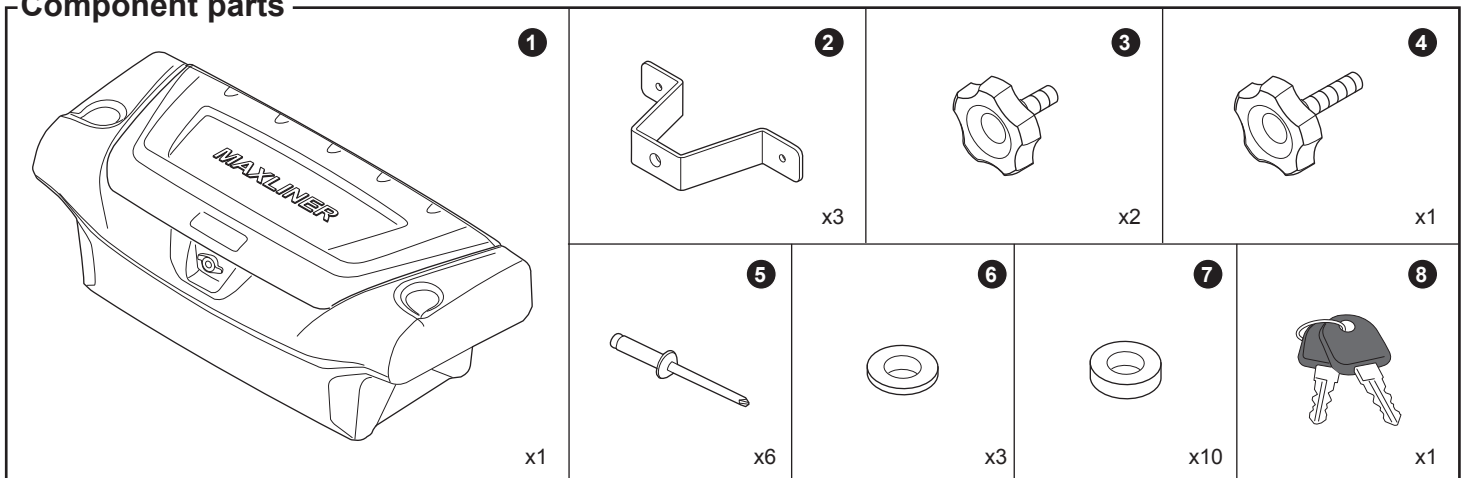
Caution for installation

Read this mounting manual carefully, before your start the installation.

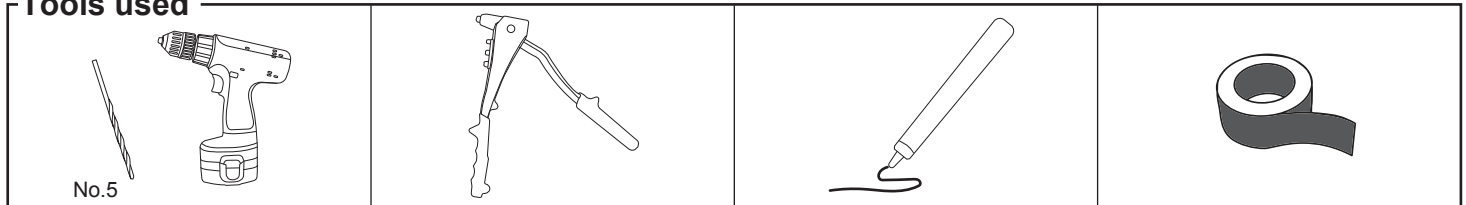
1. Area where to install product should be clean.
2. During installation, person who installed should take off any ornaments.

Product name	MAX BOX (BLOW MOLD)
Model name	ALL MODEL (<i>WITH BEDLINER OVER RAIL TYPE</i>)
Inst. number	L01-0131

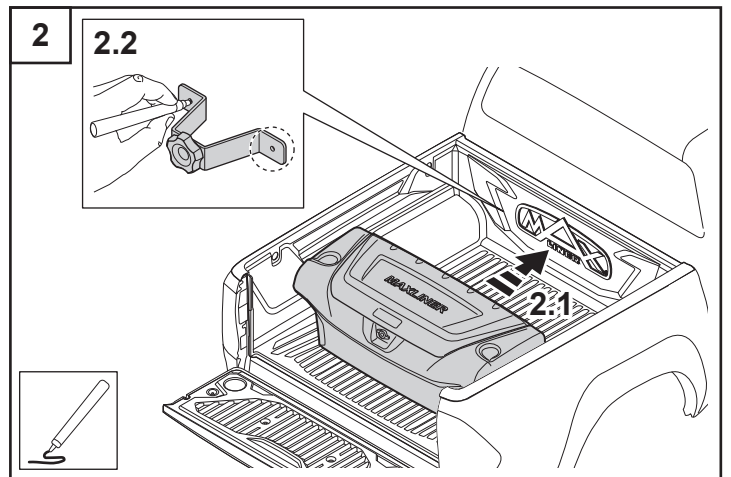
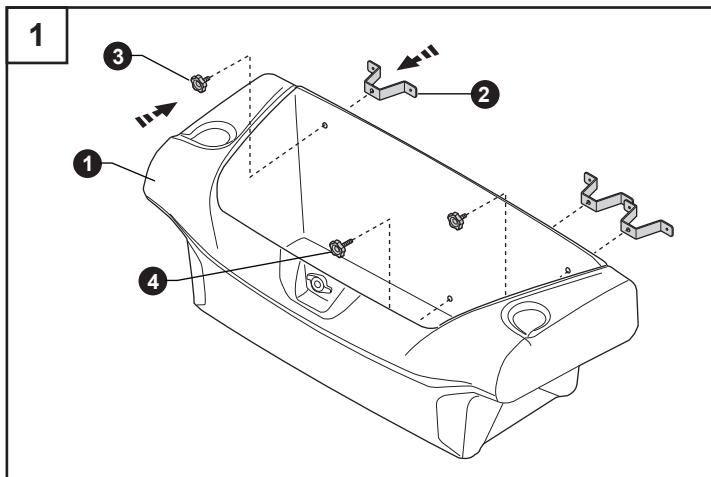
Component parts



Tools used



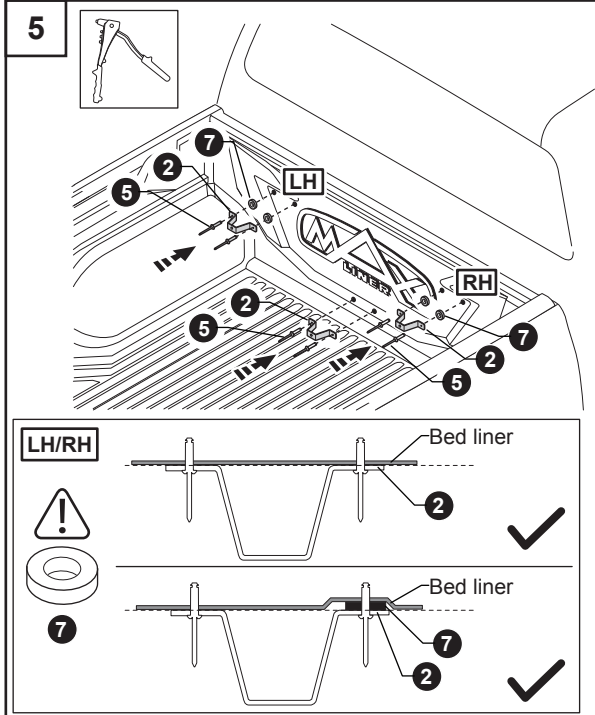
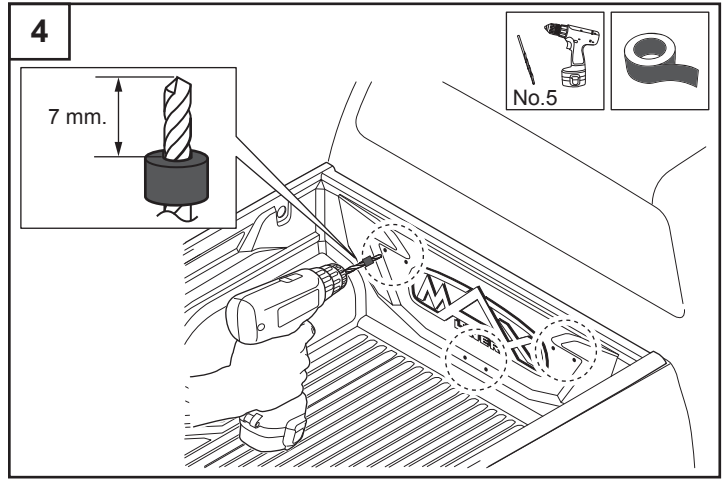
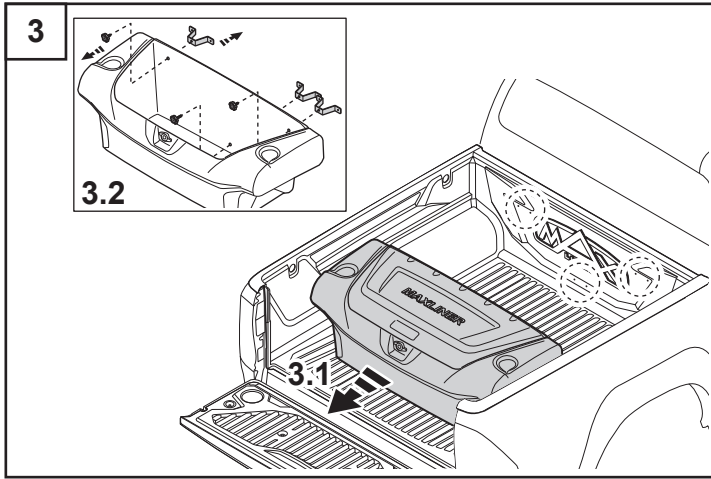
Instruction procedure



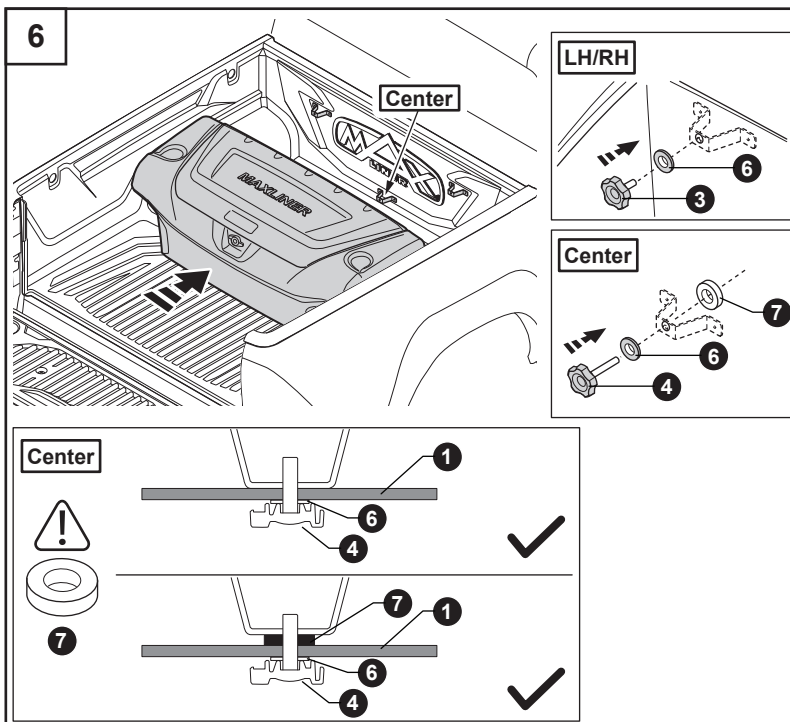
Vandapac Co., Ltd.

700/135 Moo 5, Klongtumru, Muang Chonburi, Chonburi, 20000 Thailand Tel : (038)468-008 Fax : (038)468-006 Email : mail@vandapac.com

Instruction procedure



Amount of CUSHION RUBBER for fitting kits					
Model	Bed liner	LH		RH	
TOYOTA 2018	OEM	-	-	-	-
	MAX	-	-	-	-
ISUZU 2018	OEM	-	2	-	2
	MAX	-	1	-	1
FORD 2018	OEM	-	-	-	-
	MAX	-	-	-	-
MITSUBISHI 2018	OEM	-	-	-	-
	MAX	-	-	-	-
NISSAN 2018 (TH)	OEM	-	2	-	2
	MAX	-	-	-	-
NISSAN 2018 (EU)	OEM	-	-	-	-
	MAX	-	-	-	-
CHEVROLET 2018	OEM	-	-	-	-
	MAX	-	-	-	-
MAZDA 2018	OEM	1	-	1	-
	MAX	-	-	-	-



Amount of CUSHION RUBBER for fitting kits		
Model	Bed liner	Center
TOYOTA 2018	OEM	-
	MAX	1
ISUZU 2018	OEM	4
	MAX	6
FORD 2018	OEM	2
	MAX	2
MITSUBISHI 2018	OEM	2
	MAX	-
NISSAN 2018 (TH)	OEM	1
	MAX	-
NISSAN 2018 (EU)	OEM	4
	MAX	-
CHEVROLET 2018	OEM	-
	MAX	-
MAZDA 2018	OEM	6
	MAX	1