

# Filter Regulator

## Stainless Steel 316 and Special Temperature Environment (-40°C) Specifications

Please contact SMC for detailed dimensions, specifications, and lead times.

- External parts material: **Stainless steel 316**
- Ambient and fluid temperature: **-40 to 80°C**
- NACE International Standards compliant

The JIS component standards of the external parts and the component measurement results of the certificate for materials are within the ANSI/NACE standards.



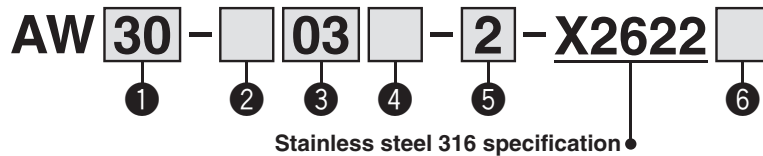
### Specifications

|                                   |                                |
|-----------------------------------|--------------------------------|
| Fluid                             | Air                            |
| Ambient and fluid temperature     | -40 to 80°C (with no freezing) |
| Proof pressure                    | 3.0 MPa                        |
| Maximum operating pressure        | 2.0 MPa                        |
| Set pressure range                | 0.05 to 0.85 MPa               |
| Nominal filtration rating         | 5 μm                           |
| Drain capacity [cm <sup>3</sup> ] | AW30: 20, AW40: 80             |
| Construction                      | Relieving type                 |
| Weight [kg]                       | AW30: 1.19, AW40: 3.40         |

### Applicable Model

| Model     | AW30     | AW40               |
|-----------|----------|--------------------|
| Port size | 1/4, 3/8 | 1/4, 3/8, 1/2, 3/4 |

### How to Order



- Option/Semi-standard: Select one each for a to d.
- Option/Semi-standard symbol: When more than one specification is required, indicate in alphanumeric order. Example) AW30-03C-2R-X2622A

|   |                               | Symbol               | Description   | ① Body size          |                               |   |   |
|---|-------------------------------|----------------------|---|----------------------|-------------------------------|---|---|
|   |                               |                      |   | 30                   | 40                            |   |   |
| ② | Thread type                   | —                    | Rc  | ●                    | ●                             |   |   |
|   |                               | N                    | NPT   | ●                    | ●                             |   |   |
|   |                               | F                    | G   | ●                    | ●                             |   |   |
|   |                               | +                    |   |                      |                               |   |   |
| ③ | Port size                     | 02                   | 1/4   | ●                    | ●                             |   |   |
|   |                               | 03                   | 3/8   | ●                    | ●                             |   |   |
|   |                               | 04                   | 1/2   | —                    | ●                             |   |   |
|   |                               | 06                   | 3/4   | —                    | ●                             |   |   |
|   |                               | +                    |   |                      |                               |   |   |
| ④ | Option i                      | a                    | Float type auto drain   | —                    | Without option                | ● | ● |
|   |                               | C <sup>Note 1)</sup> | Float type auto drain (N.C.)                                      | ●                    | ●                             | ● | ● |
|   |                               | +                    |   |                      |                               |   |   |
| ⑤ | Semi-standard                 | b                    | Bowl  | 2 <sup>Note 2)</sup> | Metal bowl                    | ● | ● |
|   |                               |                      |   | +                    |                               |   |   |
|   |                               | c                    | Flow direction  | —                    | Flow direction: Left to right | ● | ● |
| R | Flow direction: Right to left |                      |   | ●                    | ●                             |   |   |
|   |                               | +                    |   |                      |                               |   |   |
| ⑥ | Option ii                     | d                    | Pressure gauge <sup>Note 3)</sup> Bracket                         | —                    | Without option                | ● | ● |
|   |                               | A                    | Round type pressure gauge (without limit indicator)               | ●                    | ●                             |   |   |
|   |                               | B                    | With bracket  | ●                    | ●                             |   |   |
|   |                               | C                    | Round type pressure gauge (without limit indicator), With bracket | ●                    | ●                             |   |   |

Note 1) When the float type auto drain is selected, the fluid temperature range is -5 to 60°C (with no freezing), and the maximum operating pressure is 1.0 MPa. Take measures if the fluid temperature is likely to be out of the specified range due to the ambient temperature.

Note 2) Only metal bowl is available.

Note 3) The pressure gauge is shipped together, but not assembled. AW30: G43-10-□01-X3 or AW40: G43-10-□02-X3 is included.

## Series AW30/40-X2622

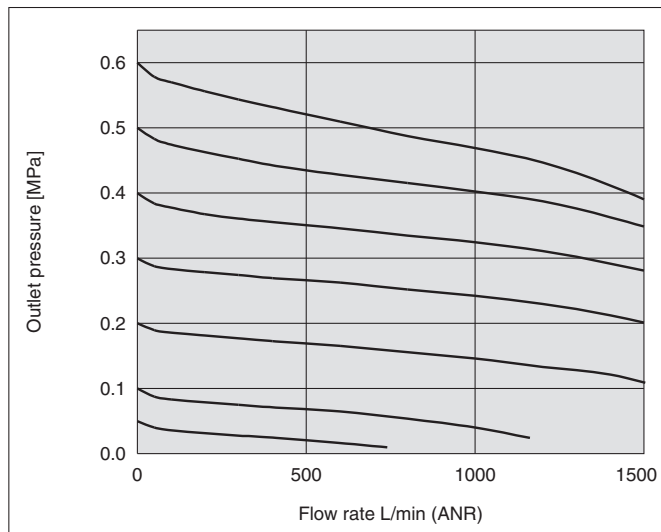


# Series AW30/40-X2622

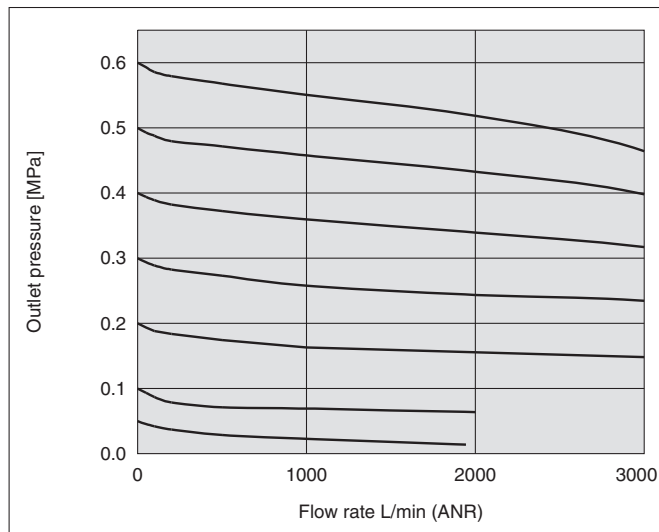
## Flow-rate Characteristics (Representative values)

Condition: Inlet pressure 0.7 MPa

### AW30-02-2-X2622



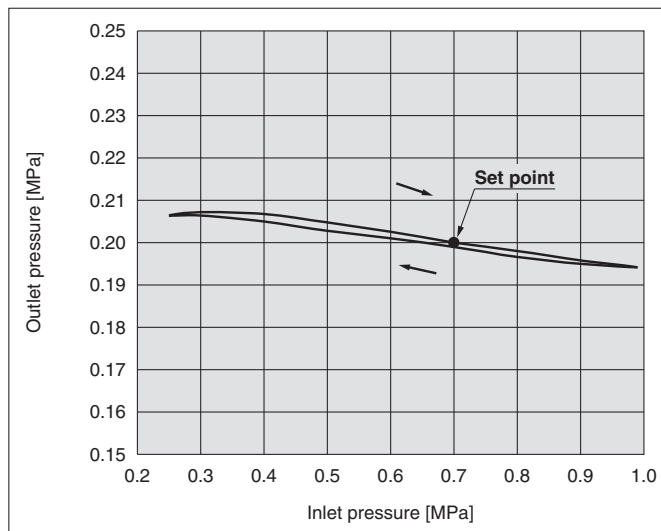
### AW40-04-2-X2622



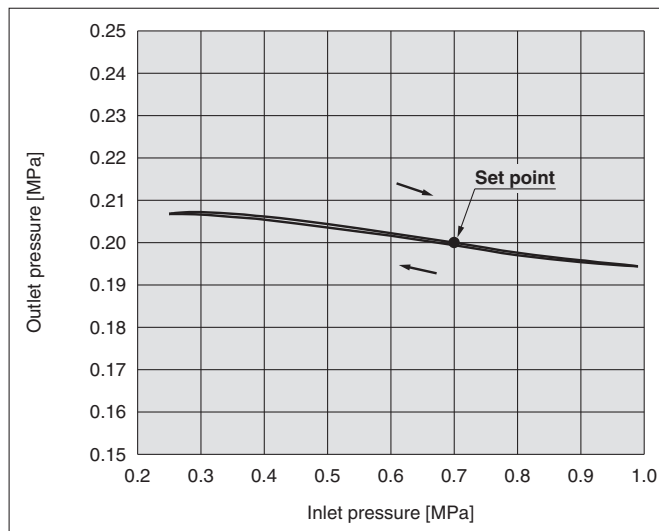
## Pressure Characteristics (Representative values)

Conditions: Inlet pressure 0.7 MPa, Outlet pressure 0.2 MPa, Flow rate 20 L/min (ANR)

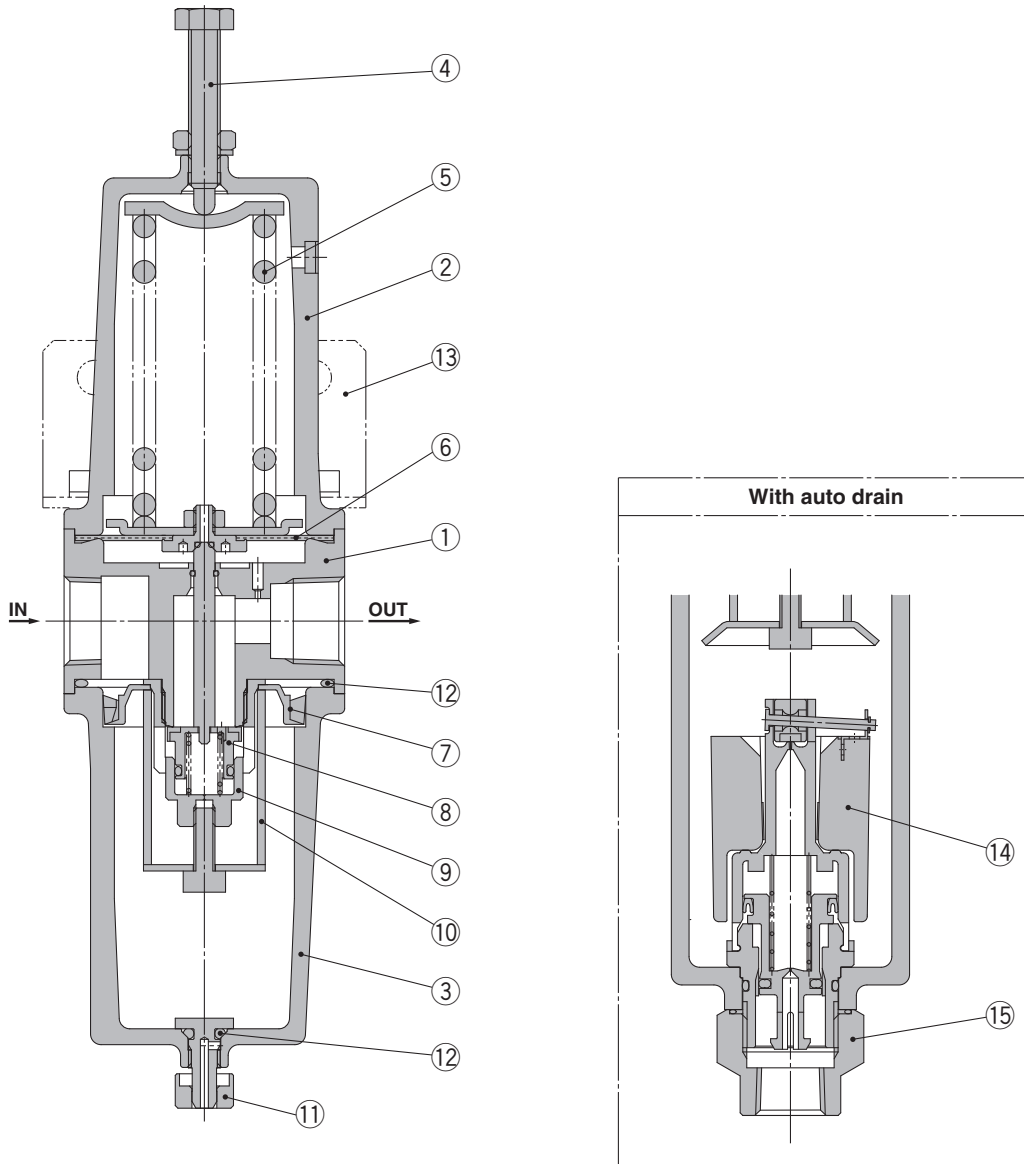
### AW30-02-2-X2622



### AW40-04-2-X2622



## Construction

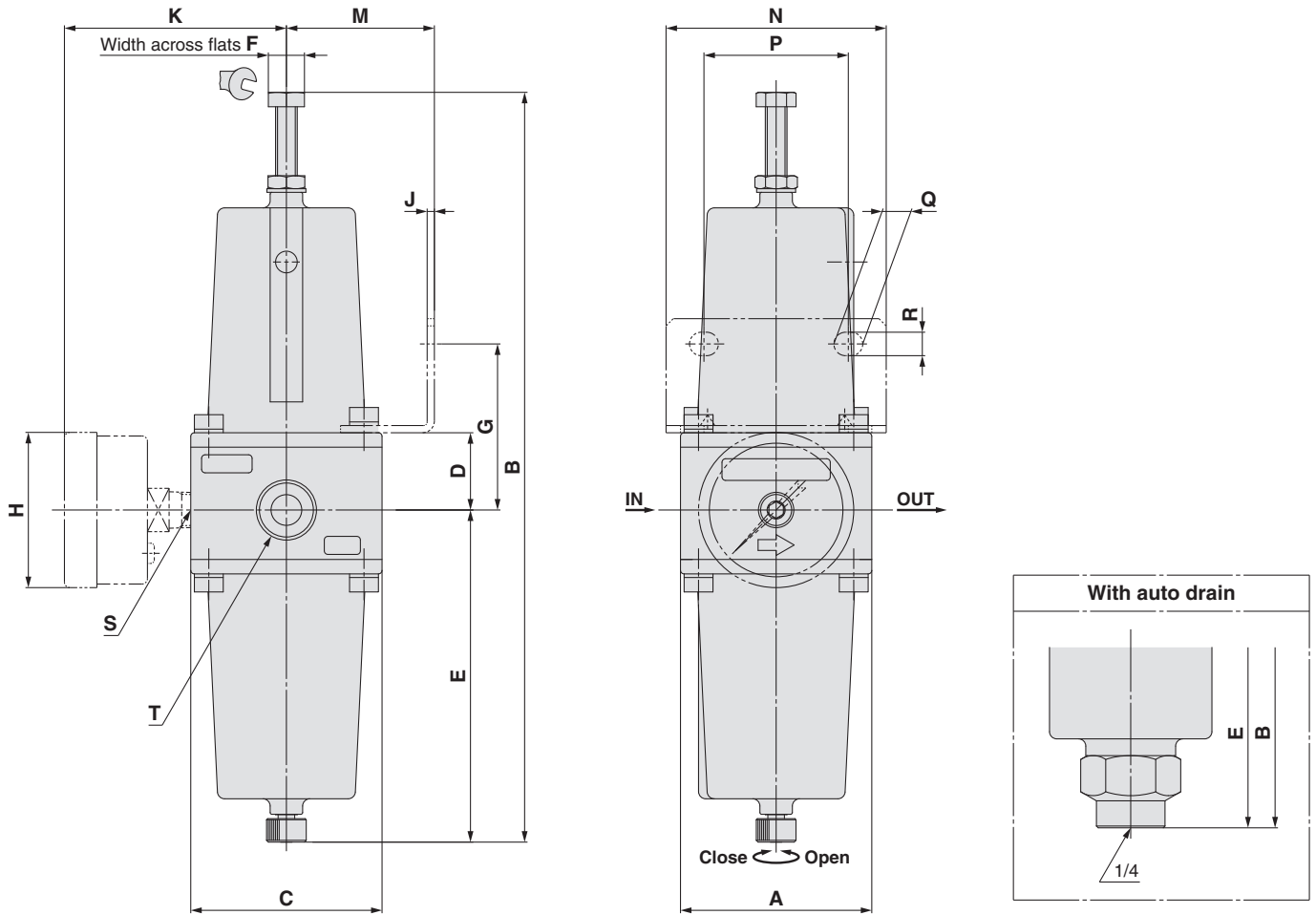


### Component Parts

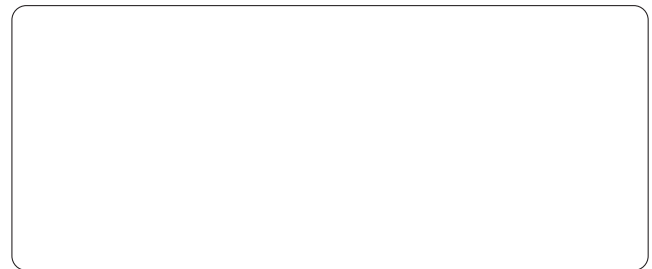
| No. | Description               | Material                                   |
|-----|---------------------------|--|
| 1   | Body                      | SCS14A (Equivalent to Stainless steel 316) |
| 2   | Bonnet                    | SCS14A (Equivalent to Stainless steel 316) |
| 3   | Bowl                      | SCS14A (Equivalent to Stainless steel 316) |
| 4   | Pressure adjustment screw | Stainless steel 316L                       |
| 5   | Adjusting spring          | Stainless steel 304                        |
| 6   | Diaphragm                 | CR   |
| 7   | Deflector                 | PBT  |
| 8   | Valve                     | Stainless steel 316/Low-temperature NBR    |
| 9   | Valve guide               | Stainless steel 316                        |
| 10  | Element                   | Stainless steel 316L                       |
| 11  | Drain cock                | Stainless steel 316                        |
| 12  | O-ring                    | Low-temperature NBR                        |
| 13  | Bracket                   | Stainless steel 316                        |
| 14  | Auto drain                | POM/PBT/Foamed phenol/NBR etc.             |
| 15  | Drain guide               | Stainless steel 316                        |

# Series AW30/40-X2622

## Dimensions



| Model      | T                  | A  | B     | C  | D    | E    | F  | G    | H   | J   | K    | M    | N  | P  | Q    | R   | S   | With auto drain |       |
|------------|--------------------|----|-------|----|------|------|----|------|-----|-----|------|------|----|----|------|-----|-----|-----------------|-------|
|            |                    |    |       |    |      |      |    |      |     |     |      |      |    |    |      |     |     | B               | E     |
| AW30-X2622 | 1/4, 3/8           | 53 | 207.7 | 53 | 21.1 | 92.1 | 10 | 45.7 | ∅43 | 2   | 65.5 | 40.5 | 61 | 40 | 8    | 6.5 | 1/8 | 250.1           | 134.5 |
| AW40-X2622 | 1/4, 3/8, 1/2, 3/4 | 75 | 334   | 72 | 29.8 | 146  | 13 | 56   | ∅43 | 2.5 | 75   | 50   | 80 | 54 | 10.5 | 8.5 | 1/4 | 361.6           | 173.4 |



### SMC Corporation (Europe)

**Austria** ☎+43 (0)2262622800  
**Belgium** ☎+32 (0)33551464  
**Bulgaria** ☎+359 (0)2807670  
**Croatia** ☎+385 (0)13707288  
**Czech Republic** ☎+420 541424611  
**Denmark** ☎+45 70252900  
**Estonia** ☎+372 6510370  
**Finland** ☎+358 207513513  
**France** ☎+33 (0)164761000  
**Germany** ☎+49 (0)61034020  
**Greece** ☎+30 210 2717265  
**Hungary** ☎+36 23511390  
**Ireland** ☎+353 (0)14039000  
**Italy** ☎+39 0292711  
**Latvia** ☎+371 67817700

[www.smc.at](http://www.smc.at)  
[www.smc-pneumatics.be](http://www.smc-pneumatics.be)  
[www.smc.bg](http://www.smc.bg)  
[www.smc.hr](http://www.smc.hr)  
[www.smc.cz](http://www.smc.cz)  
[www.smc.dk](http://www.smc.dk)  
[www.smc-pneumatics.ee](http://www.smc-pneumatics.ee)  
[www.smc.fi](http://www.smc.fi)  
[www.smc-france.fr](http://www.smc-france.fr)  
[www.smc.de](http://www.smc.de)  
[www.smc-hellas.gr](http://www.smc-hellas.gr)  
[www.smc.hu](http://www.smc.hu)  
[www.smc-pneumatics.ie](http://www.smc-pneumatics.ie)  
[www.smc-italia.it](http://www.smc-italia.it)  
[www.smc.lv](http://www.smc.lv)

[office@smc.at](mailto:office@smc.at)  
[info@smc-pneumatics.be](mailto:info@smc-pneumatics.be)  
[office@smc.bg](mailto:office@smc.bg)  
[office@smc.hr](mailto:office@smc.hr)  
[office@smc.cz](mailto:office@smc.cz)  
[smc@smc.dk](mailto:smc@smc.dk)  
[smc@smc-pneumatics.ee](mailto:smc@smc-pneumatics.ee)  
[smc@smc.fi](mailto:smc@smc.fi)  
[promotion@smc-france.fr](mailto:promotion@smc-france.fr)  
[info@smc.de](mailto:info@smc.de)  
[sales@smc-hellas.gr](mailto:sales@smc-hellas.gr)  
[office@smc.hu](mailto:office@smc.hu)  
[sales@smc-pneumatics.ie](mailto:sales@smc-pneumatics.ie)  
[mailbox@smc-italia.it](mailto:mailbox@smc-italia.it)  
[info@smc.lv](mailto:info@smc.lv)

**Lithuania** ☎+370 5 2308118  
**Netherlands** ☎+31 (0)205318888  
**Norway** ☎+47 67129020  
**Poland** ☎+48 (0)222119616  
**Portugal** ☎+351 226166570  
**Romania** ☎+40 213205111  
**Russia** ☎+7 8127185445  
**Slovakia** ☎+421 (0)413213212  
**Slovenia** ☎+386 (0)73885412  
**Spain** ☎+34 902184100  
**Sweden** ☎+46 (0)86031200  
**Switzerland** ☎+41 (0)523963131  
**Turkey** ☎+90 212 489 0 440  
**UK** ☎+44 (0)845 121 5122

[www.smclt.lt](http://www.smclt.lt)  
[www.smc-pneumatics.nl](http://www.smc-pneumatics.nl)  
[www.smc-norge.no](http://www.smc-norge.no)  
[www.smc.pl](http://www.smc.pl)  
[www.smc.eu](http://www.smc.eu)  
[www.smcromania.ro](http://www.smcromania.ro)  
[www.smc-pneumatik.ru](http://www.smc-pneumatik.ru)  
[www.smc.sk](http://www.smc.sk)  
[www.smc.si](http://www.smc.si)  
[www.smc.eu](http://www.smc.eu)  
[www.smc.nu](http://www.smc.nu)  
[www.smc.ch](http://www.smc.ch)  
[www.smc-pneumatik.com.tr](http://www.smc-pneumatik.com.tr)  
[www.smc-pneumatics.co.uk](http://www.smc-pneumatics.co.uk)

[info@smclt.lt](mailto:info@smclt.lt)  
[info@smc-pneumatics.nl](mailto:info@smc-pneumatics.nl)  
[post@smc-norge.no](mailto:post@smc-norge.no)  
[office@smc.pl](mailto:office@smc.pl)  
[postpt@smc-smces.es](mailto:postpt@smc-smces.es)  
[smcromania@smcromania.ro](mailto:smcromania@smcromania.ro)  
[info@smc-pneumatik.ru](mailto:info@smc-pneumatik.ru)  
[office@smc.sk](mailto:office@smc.sk)  
[office@smc.si](mailto:office@smc.si)  
[post@smc-smces.es](mailto:post@smc-smces.es)  
[post@smc.nu](mailto:post@smc.nu)  
[info@smc.ch](mailto:info@smc.ch)  
[info@smc-pneumatik.com.tr](mailto:info@smc-pneumatik.com.tr)  
[sales@smc-pneumatics.co.uk](mailto:sales@smc-pneumatics.co.uk)