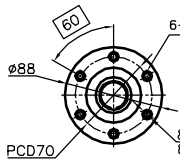
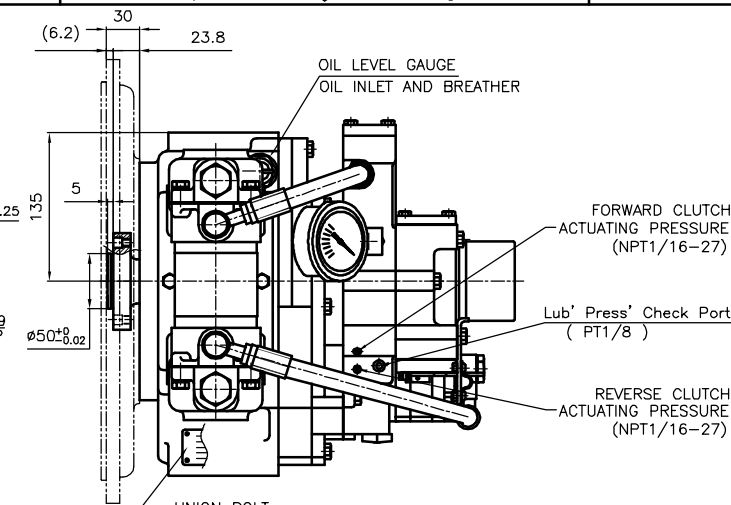


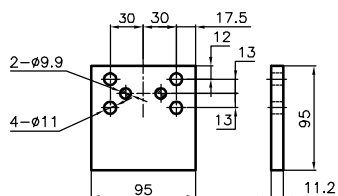
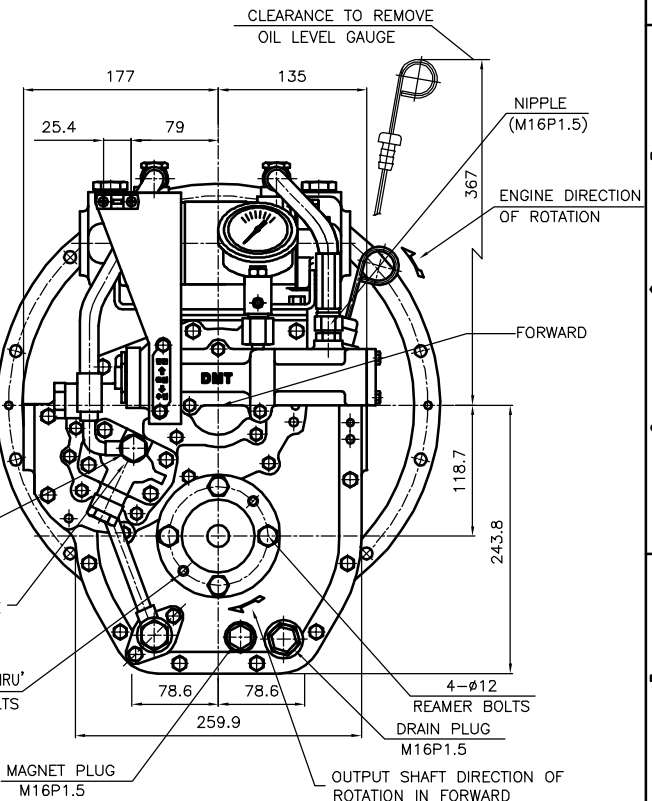
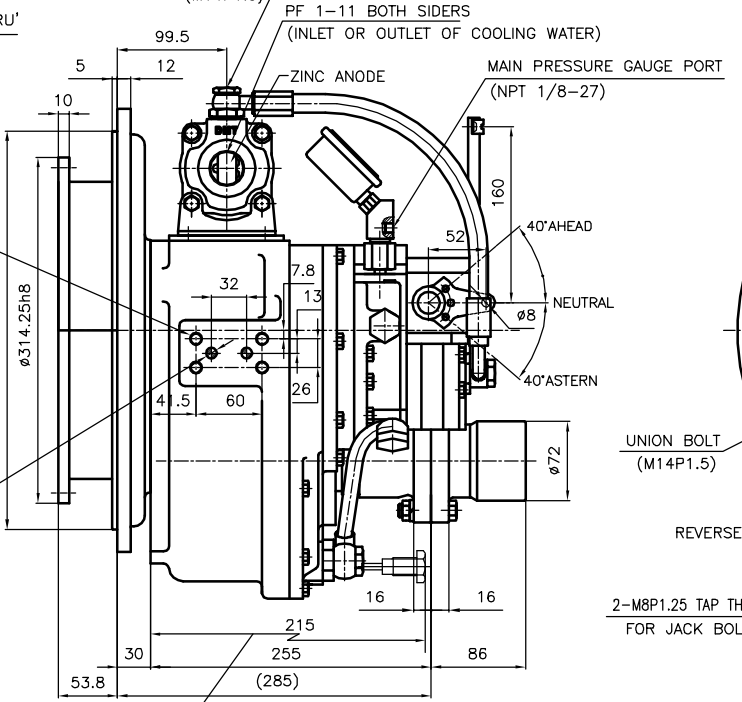
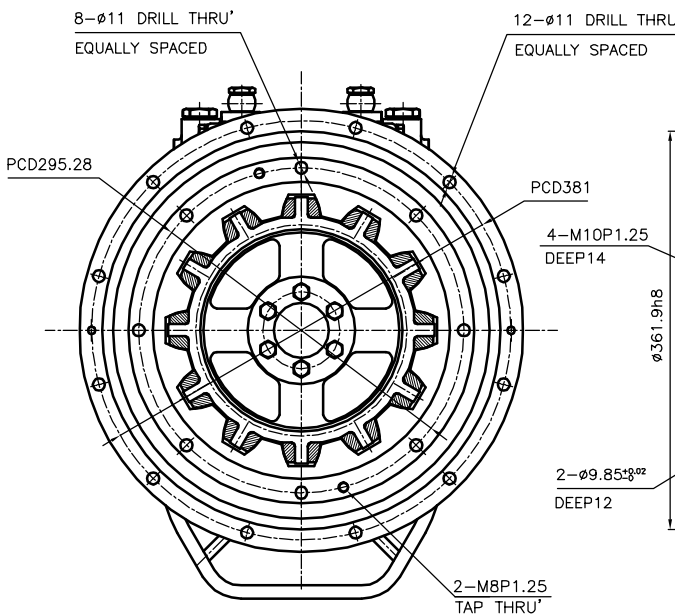
OUTPUT SHAFT COUPLING & PROPELLER COUPLING DIMENSION



INPUT COUPLING DIMENSION



DMT 18A MARINE TRANSMISSION SPECIFICATION	
GEAR RATIO	1.64, 2.17, 2.52, 3.13, 3.32
TOTAL WEIGHT	APPROX. 77 Kg(DRY)
OIL CAPACITY	APPROX. 2L
OIL VISCOSITY	SAE # 30
OIL PRESSURE	1.96 ~ 2.35 MPa CLUTCH OIL
DIRECTION OF ROTATION	INPUT C.W VIEWED FROM THE STERN
IN FORWARD	OUTPUT C.W VIEWED FROM THE STERN
OIL CHANGE INTERVAL	THE FIRST 100HOURS OF INITIAL OPERATION AND EVERY 1000HOURS THEREAFTER
SHIFTING LIMIT	UNDER 50% OF THE RATED ENGINE SPEED
OIL COOLER	WATER FLOW 20 ~ 40 L/m TEMPERATURE OF COOLING WATER MAX 32°C
OPERATING TORQUE OF SHIFTING LEVER	UNDER 2.94Nm



BRACKET DIMENSION

- REMARK
- 1.HOUSING: SAE#4
 - 2.DRIVING RING: SAE 10"
 - 3.COULING TYPE : RUBBER

CLEARANCE TO REMOVE MAGNET PLUG

TOLERANCE ON			PART NO.		PART NAME		QTY		MATERIAL		SIZE		REMARKS	
FRACCTIONS	DECIMALS	ANGLES	NO.	REV.	NO.	REV.								
±0.05	±0.02	±0.1	JK.Kim	KS.Han	KC.Yoon									
DATE			DATE		SCALE		TYPE		TYPE		TYPE		TYPE	
2012.08.18			2012.08.18		N/S		DMT18A		DMT18A		DMT18A		DMT18A	
APPROVED BY			CHECKED BY		DRAWN		DESIGNED		NAME		NAME		NAME	
JK.Kim			KS.Han		KC.Yoon				MARINE TRANSMISSION		MARINE TRANSMISSION		MARINE TRANSMISSION	
DWG. NO.			DWG. NO.		DWG. NO.		DWG. NO.		DWG. NO.		DWG. NO.		DWG. NO.	
018000B~F-410RC			018000B~F-410RC		018000B~F-410RC		018000B~F-410RC		018000B~F-410RC		018000B~F-410RC		018000B~F-410RC	
SIZE			SIZE		SIZE		SIZE		SIZE		SIZE		SIZE	
A3			A3		A3		A3		A3		A3		A3	
CODE ID. NO.			CODE ID. NO.		CODE ID. NO.		CODE ID. NO.		CODE ID. NO.		CODE ID. NO.		CODE ID. NO.	
000			000		000		000		000		000		000	