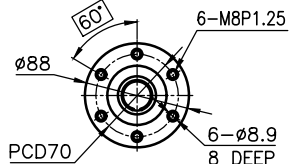
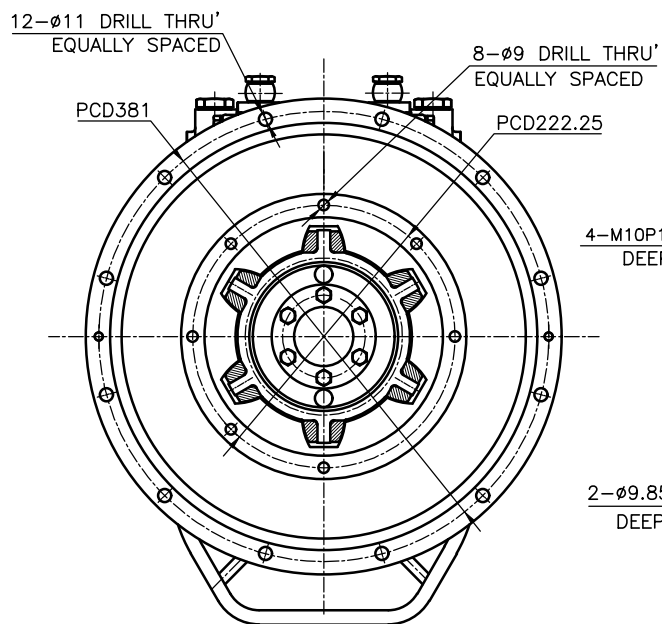


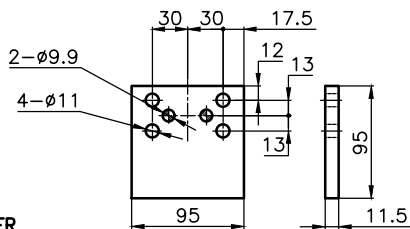
OUTPUT SHAFT COUPLING & PROPELLER COUPLING DIMENSION



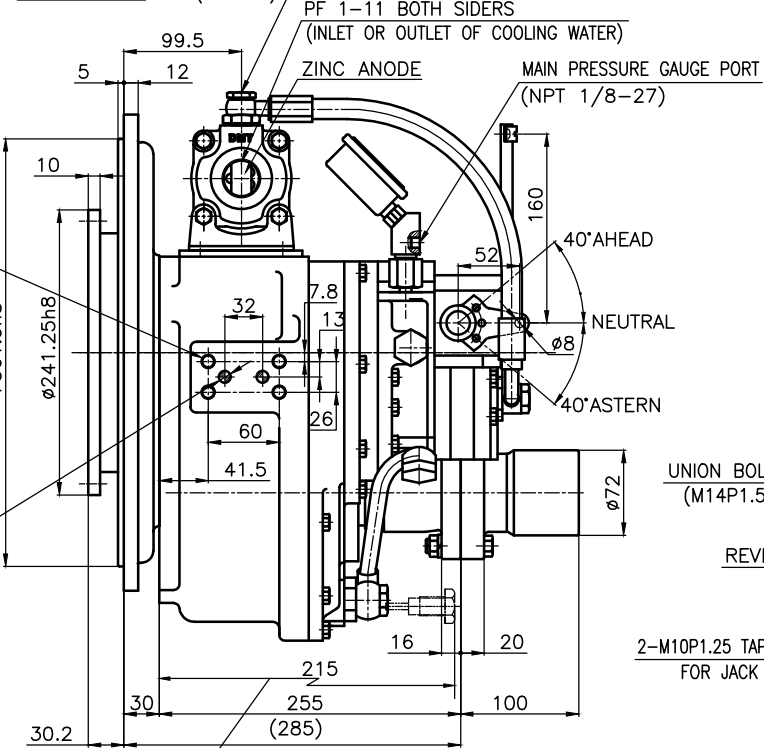
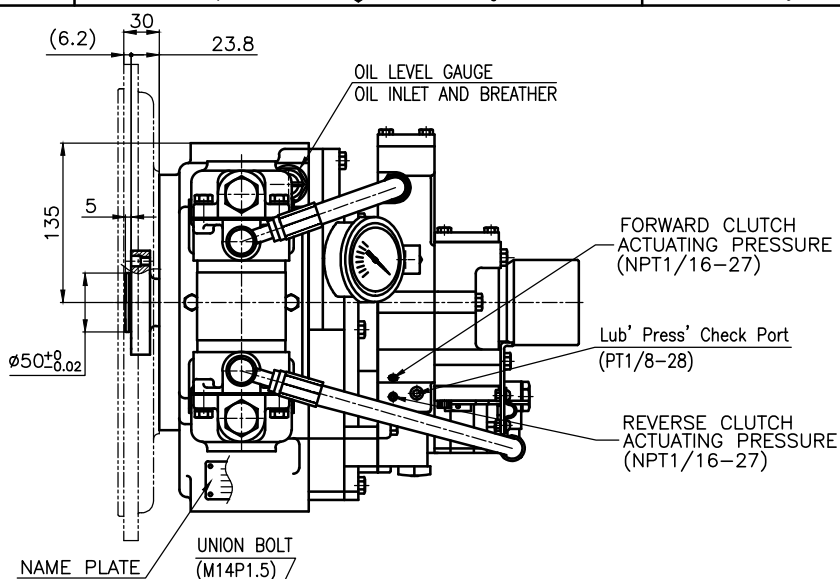
INPUT COUPLING DIMENSION



- REMARK
- 1.HOUSING: SAE#4
  - 2.DRIVING RING: SAE 7.5"
  - 3.COUPLING TYPE : RUBBER

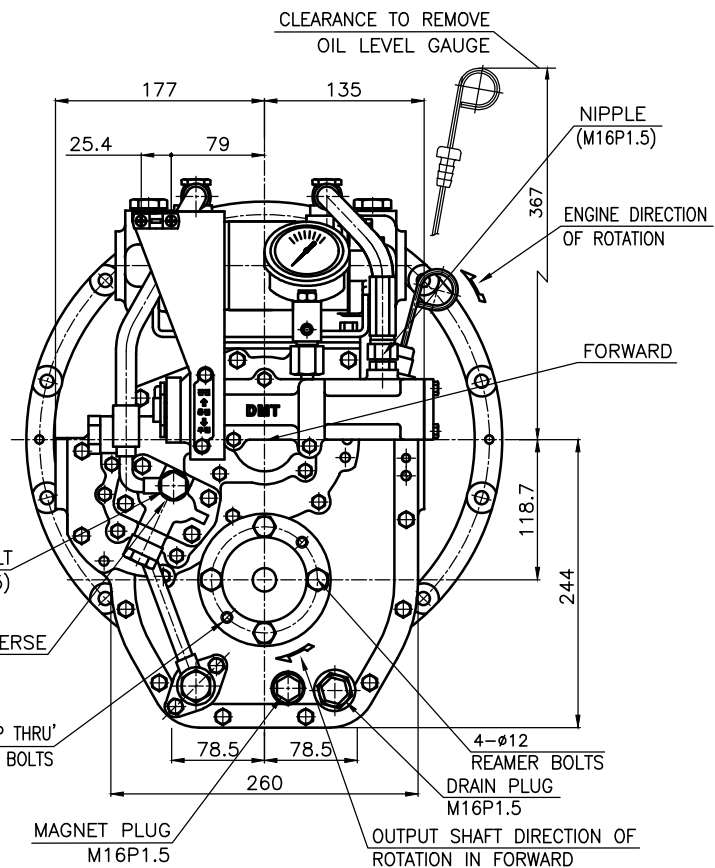


BRACKET DIMENSION



CLEARANCE TO REMOVE MAGNET PLUG

DMT 25AL MARINE TRANSMISSION SPECIFICATION		
GEAR RATIO	1.64, 2.07, 2.52, 2.96, 3.32	
TOTAL WEIGHT	APPROX. 77 Kg(DRY)	
OIL CAPACITY	APPROX. 2L	
OIL VISCOSITY	SAE # 30	
OIL PRESSURE	1.96 ~ 2.35 MPa	CLUTCH OIL
DIRECTION OF ROTATION IN FORWARD	INPUT	C.C.W VIEWED FROM THE STERN
	OUTPUT	C.W VIEWED FROM THE STERN
OIL CHANGE INTERVAL	THE FIRST 100HOURS OF INITIAL OPERATION AND EVERY 1000HOURS THEREAFTER	
SHIFTING LIMIT	UNDER 50% OF THE RATED ENGINE SPEED	
OIL COOLER	WATER FLOW 20 ~ 40 L/m	
	TEMPERATURE OF COOLING WATER	MAX 32°C
OPERATING TORQUE OF SHIFTING LEVER	UNDER 2.94Nm	



公差表 TOLERANCE ON		PART NO.		PART NAME		QTY		MATERIAL		SIZE		REMARKS	
분수	소수	각도	분	명	명	수량	재질	규격	비고				
FRACTIONS	DECIMALS	ANGLES											
±	±	±											
2018.09.12 DATE SCALE N/S JK.Kim TH.Cha GH.Park 16 63 ±0.7 ±0.3 ±0.1 4 16 ±0.5 ±0.2 ±0.07 63 250 ±1.2 ±0.5 ±0.2 250 1000 ±2.0 ±0.8 ±0.3													
DMT25AL MARINE TRANSMISSION 025000LA~E-475RC										000			
D-I INDUSTRIAL										A 3			