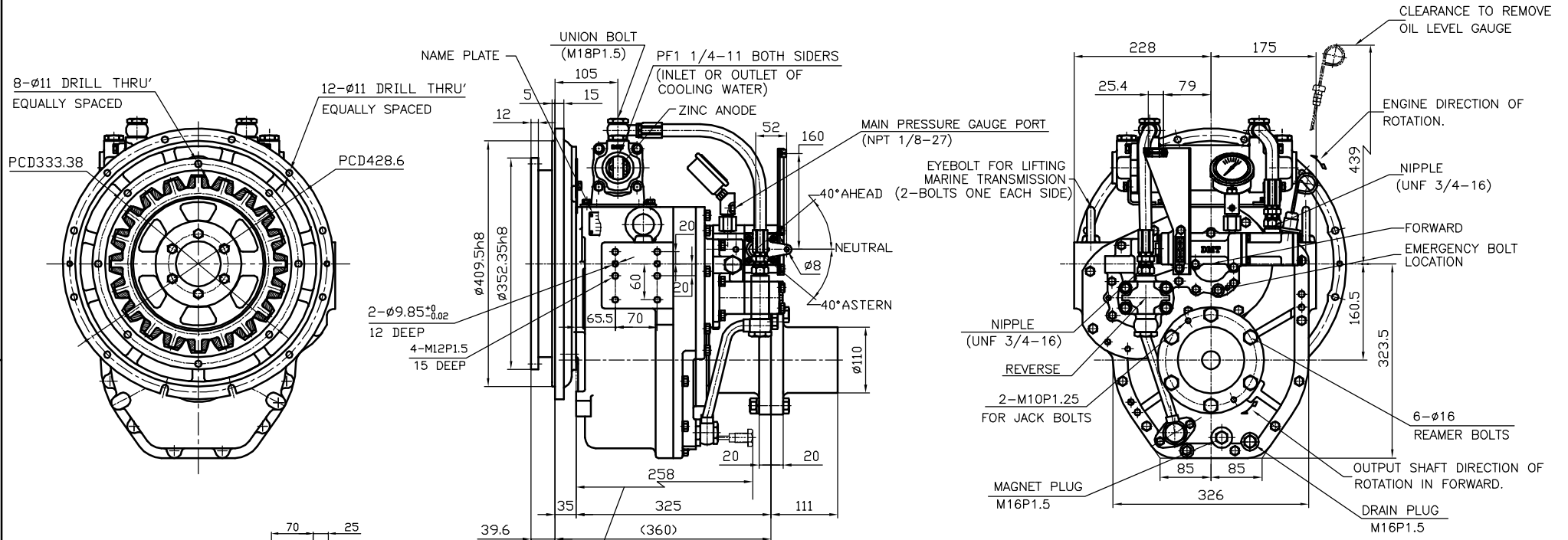


DMT70T MARINE TRANSMISSION SPECIFICATION	
GEAR RATIO	1.61, 2.06, 2.45, 2.82, 3.12, 3.46
TOTAL WEIGHT	APPROX 159 kg(DRY)
OIL CAPACITY	APPROX. 3.5 L
OIL VISCOSITY	SAE # 30
OIL PRESSURE	1.96 ~ 2.35 MPa CLUTCH OIL
DIRECTION OF ROTATION IN FORWARD	INPUT C.C.W VIEWED FROM THE STERN
	OUTPUT C.W VIEWED FROM THE STERN
OIL CHANGE INTERVAL	THE FIRST 100HOURS OF INITIAL OPERATION AND EVERY 1000HOURS THEREAFTER
SHIFTING LIMIT	UNDER 50% OF THE RATED ENGINE SPEED
OIL COOLER	WATER FLOW 40 ~ 60 L/min TEMPERATURE OF COOLING WATER MAX 32 °C
OPERATING TORQUE OF SHIFTING LEVER	UNDER 2.94Nm



- REMARK**
- 1.HOUSING: SAE#3
  - 2.DRIVING RING: SAE 11.5°
  - 3.COULING TYPE : RUBBER

TOLERANCE ON			PART NO.		PART NAME		QTY	MATERIAL	SIZE	REMARKS
FRACTIONS	DECIMALS	ANGLES	NO.	REV.	NAME	TYPE				REMARKS
±	±	±	2012.06.18		DMT70T					DMT70T
합격			DATE	SCALE	MARINE TRANSMISSION		070000TA~F-3115RC			
합격			APPROVED BY	CHECKED BY	DRAWN		DESIGNED			
합격			JK.Kim	KS.Han	KC.Yoon					
합격			DWG. NO.		070000TA~F-3115RC					
합격			REV.		000					
합격			SIZE		A3		CODE ID. NO.			
합격			D-I INDUSTRIAL							