



YLI ELECTRONIC

# Narrow-type Electric Strike

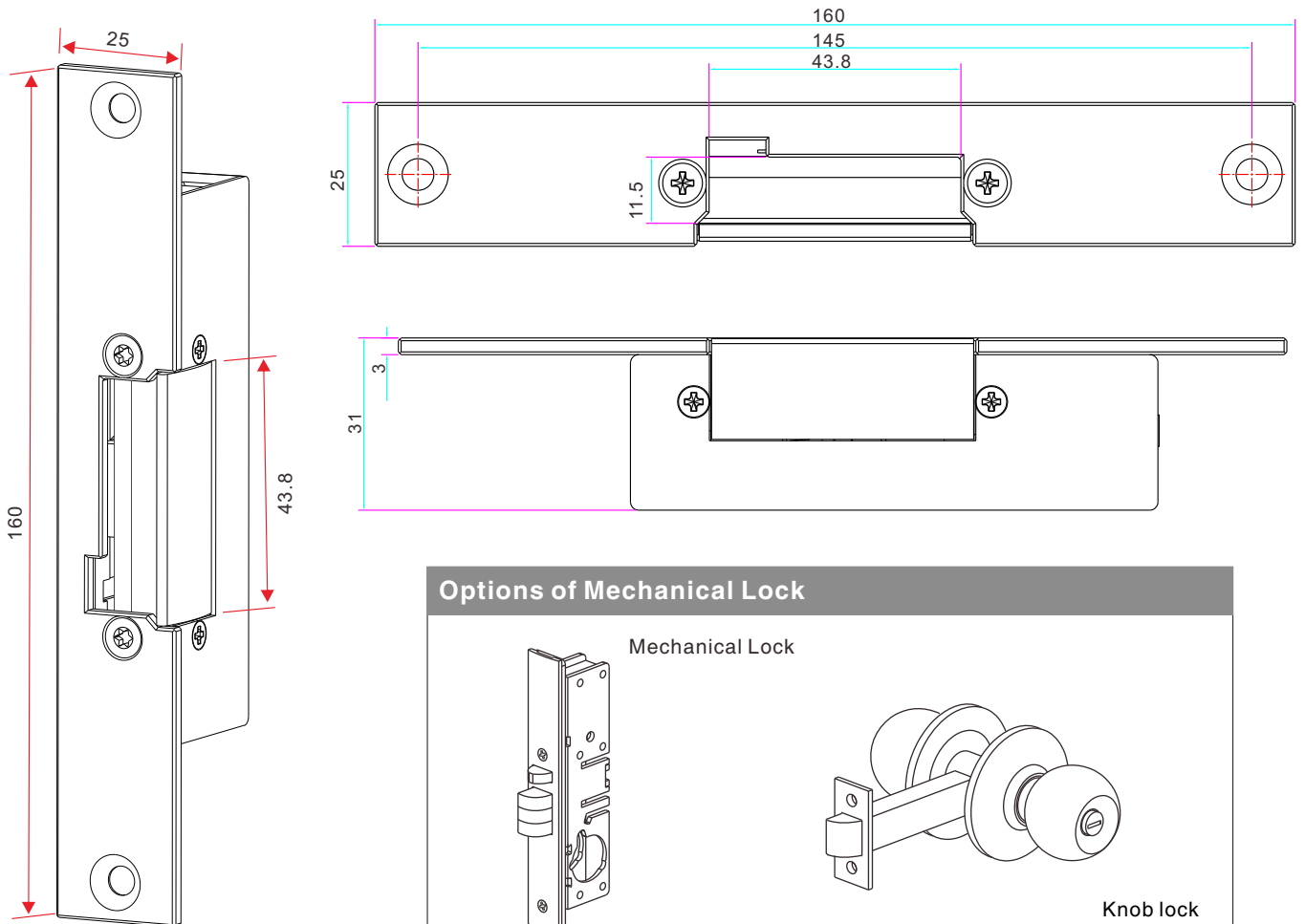
Model:YS-131NO/NC



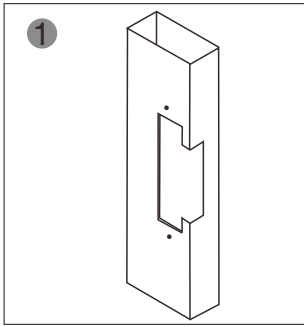
## Specification

<b>Size</b>	160Lx25Wx31H(mm)
<b>Voltage</b>	12VDC
<b>Current</b>	200mA
<b>Feature</b>	FailSecure(YS-131NO) FailSafe(YS-131NC)
<b>Suitable For</b>	Wooden Door, Metal Door
<b>Finishing</b>	Electroplating
<b>Weight</b>	0.4kg

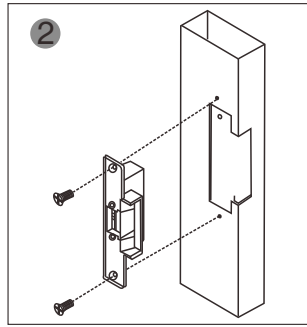
## Diagram(unit:mm)



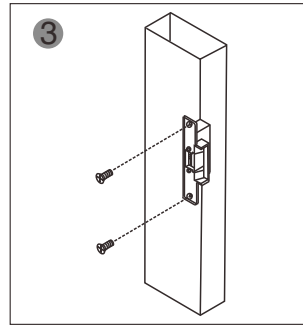
# Installation



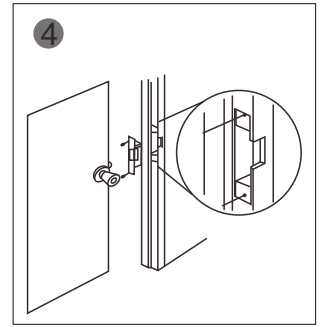
1 Cut hole according to the dimension of strike.



2 Assemble the lock and connect it to the power to test

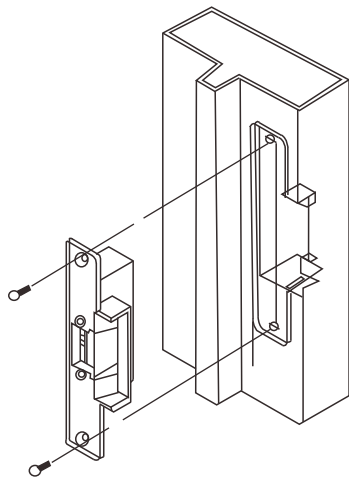


3 Fix the electric strike

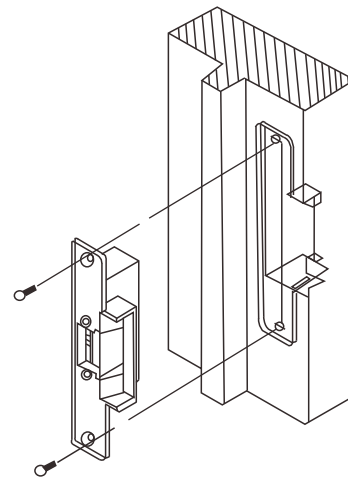


4 Finished

# Suitable for



Metal Door Frame



Wooden Door Frame

# Wire connection

