



IPC Integrated Professional Cleaning

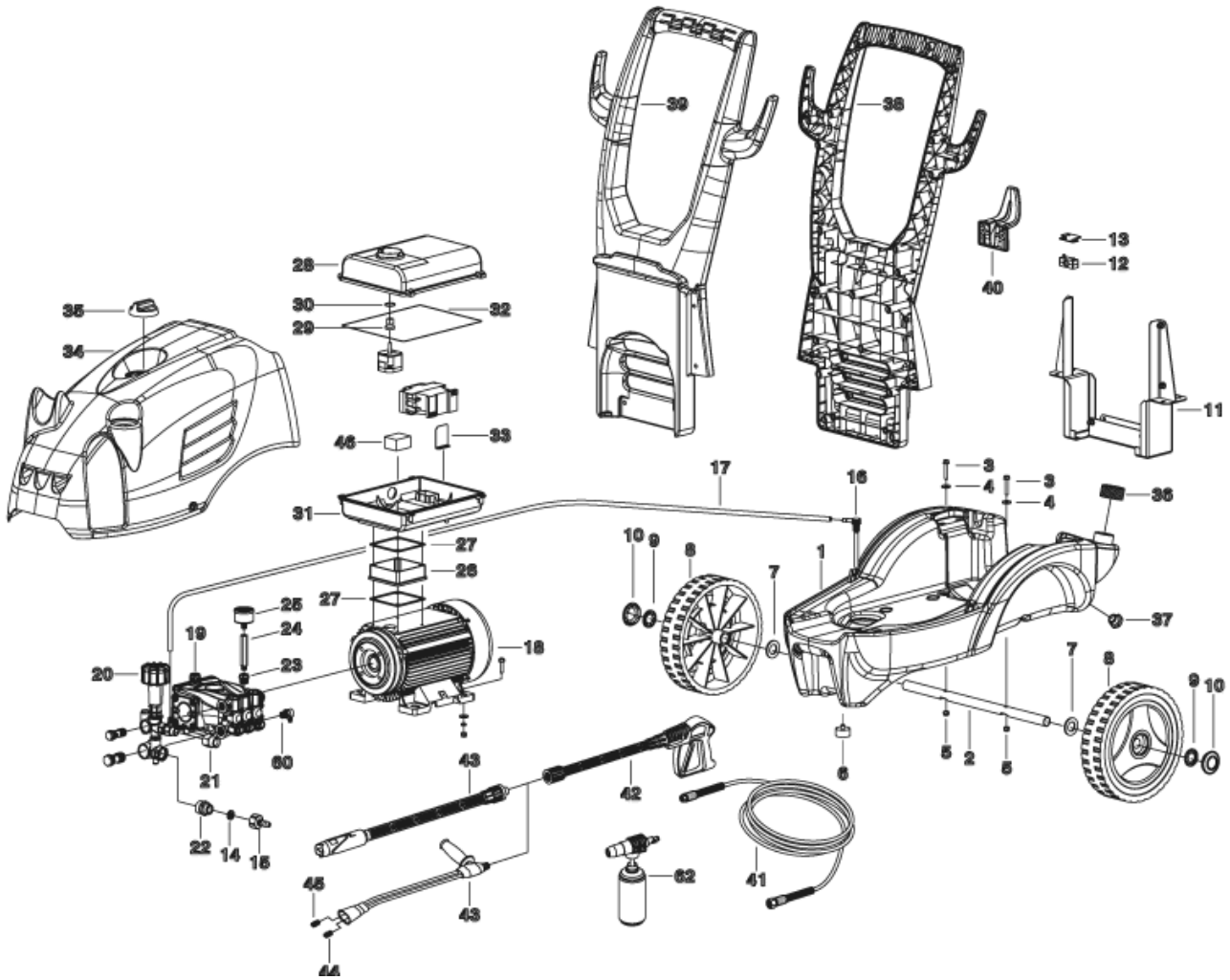
IPC Portotecnica

Spare Parts List

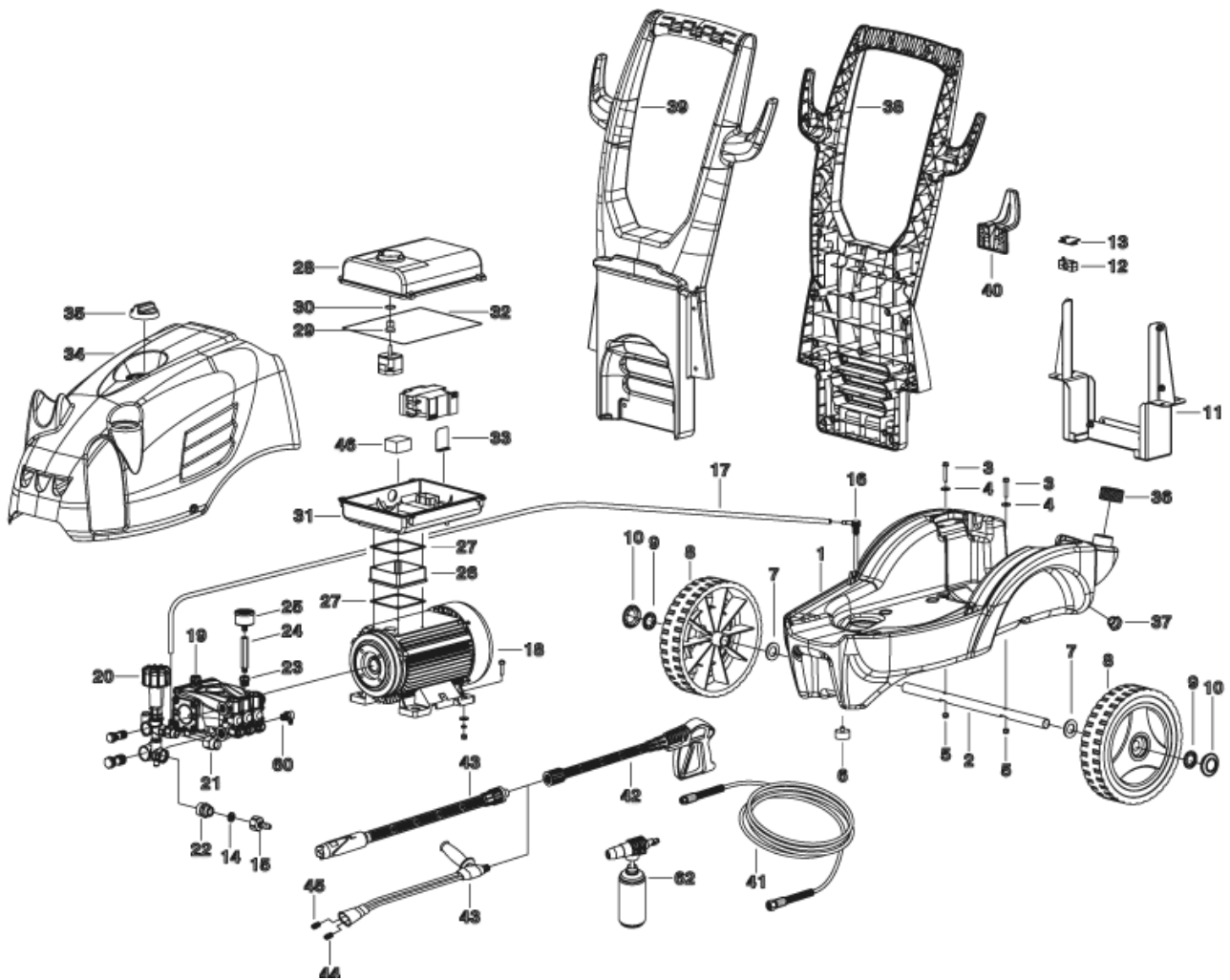
MEDIACOM

Ref: IDAF40548

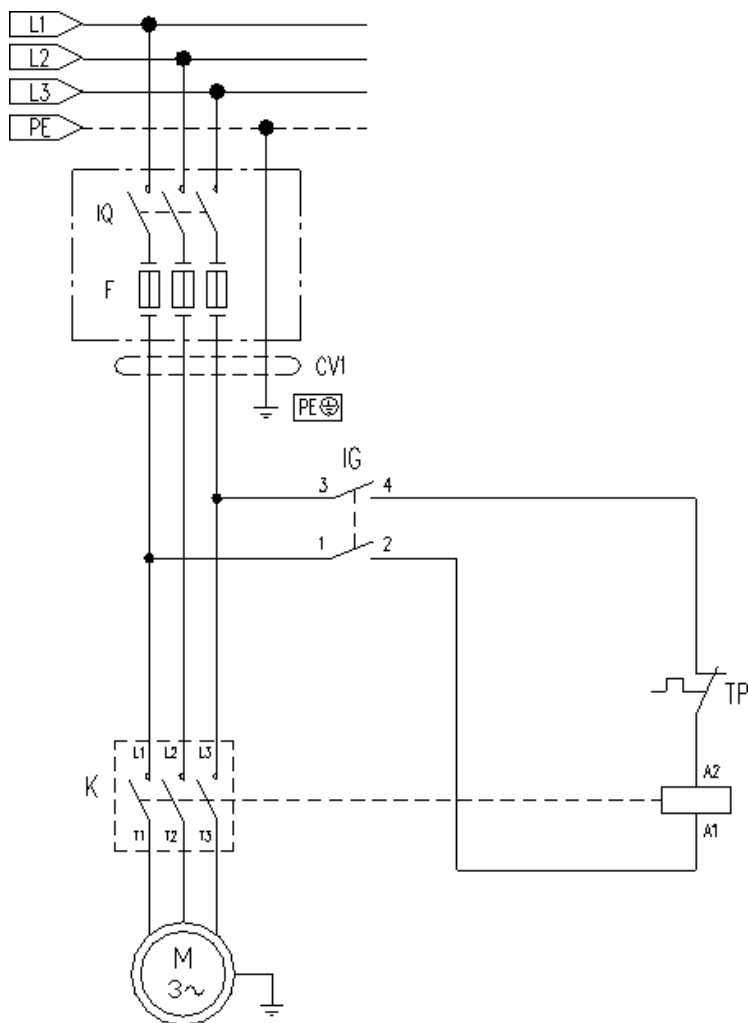
Model: IDROP N.ELITE-C 1813P T 400/50 3-01PRS



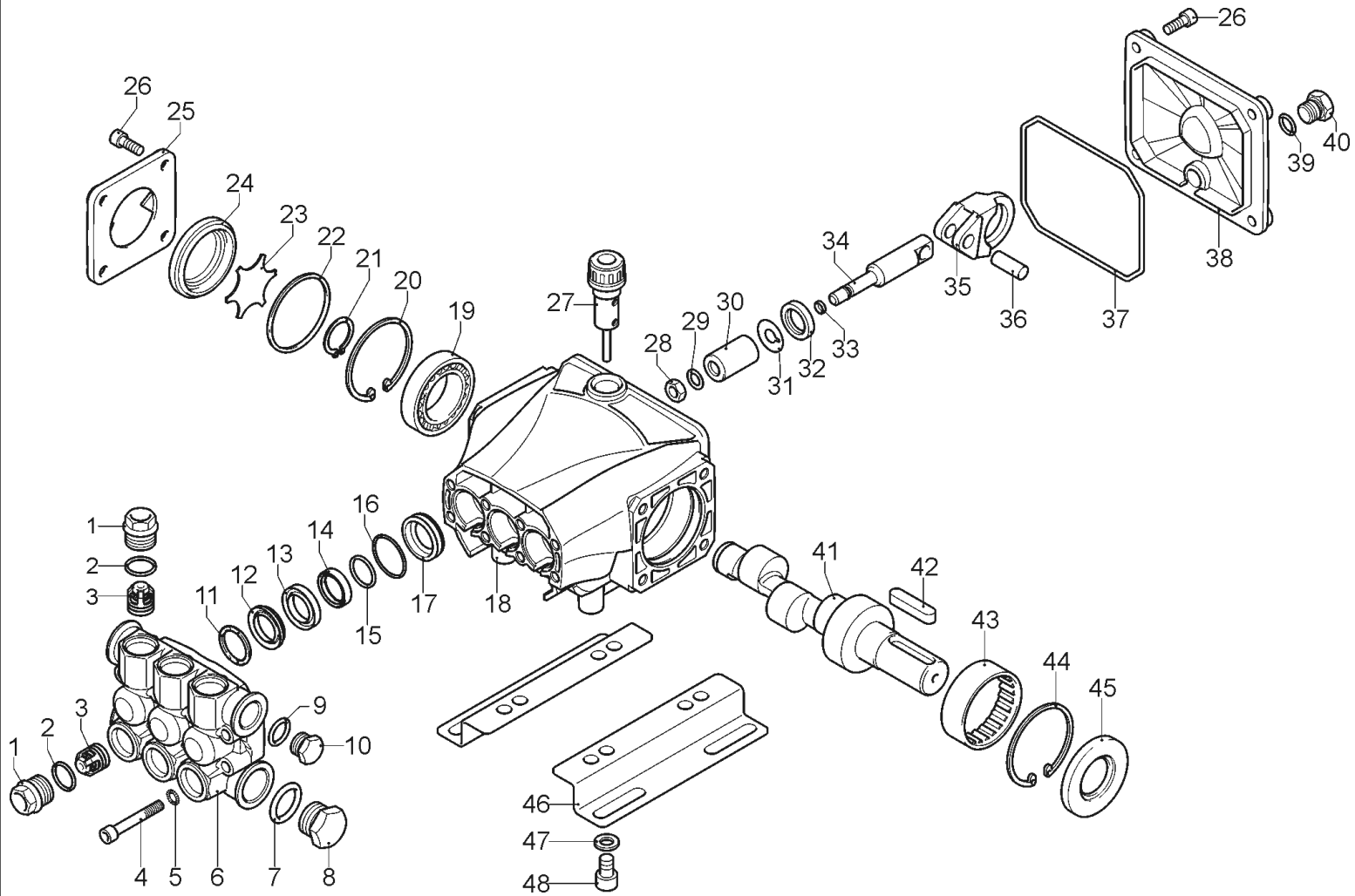
Ref.	K	Part N.	Customer Part N.	Description	Qty	Validity:		Price
						From	To	
0001		MPVR40329		CHASSIS PW-C40 PEHD BK	1,00			--
0002		LAFN40450		TROLLEY AXLE PW-C40 D.20 ZC.	1,00			--
0003		VTRS13945		WASHER D. 6X18 INX UNI 6593	2,00			--
0004		VTVT06242		SCREW TE M 6X 35 F/RD.ZN	2,00			--
0005		VTDD00491		NUT M 6 TEF	2,00			--
0006		ABGO40000		VIBRATION DAMP.30X15- 1M8X 8 60SH GMn	1,00			--
0007		VTRS00509		WASHER D.20 PIANA Z. UNI6592	2,00			--
0008		RTRT40019		WHEEL D.250-D.20X 58 RES BK.	2,00			--
0009		VTRS28558		WASHER D.20	2,00			--
0010		MPVR40343		BLACK CAP D.50 G-48 BK.	2,00			--
0011		LAFN40456		BRACKET PW-C40 BK.	1,00			--
0012		LAFN40457		SUPPORT PW-C40	1,00	12/2011		--
0013		MEVR20906		CABLE FASTNER KSM	1,00	12/2011		--
0014		FDTT12702		FILTER PA	1,00			--
0015		RCVR29600		SOCKET PTC 3/4 F	1,00			--
0016		RCDS40110		SUCTION L= 110 -2 O-RING	1,00			--
0017		TBBP62474		L.P. HOSE D. 7-10 CR.	0,50			--
0018		MOTR40028		3PH MOTOR C40/AC HP 5.5 400-50 2P	1,00			--
0019		PPAP40056		PUMP RCS 13.18 DX N	1,00			--
0020		VVAZ40016		VALVE AR M.MATIC 4/B-RC+I2.0 FT	1,00			--
0021		RCIN03753		MALE COUPLING M22-3/8 M-FA	1,00			--
0022		RCDS87610		NIPPLE 3/4 - 1/2 CB D.13.0	1,00			--
0023		PVVR40183		CAP AR RC C/F. 1/8F+OR	1,00			--
0024		RCDS40111		COLUMN M-F 1/8 L=65 MM OT.	1,00			--
0025		MNMN18650		PRESSURE GAUGE 0-300 D.40	1,00		01/2013	--
0025		MNMN93800		PRESSURE GAUGE 1/8 POST. 0-300 D.40 S/ST	1,00	01/2013		--
0026		MPVR13033		SPACER SIC H90	1,00			--
0027		GUGO10881		GASKET M.EL. 73X73	1,00			--
0027		GUGO10881		GASKET M.EL. 73X73	1,00			--
0028		MPVR40335		BOX COVER PW-C40 ABS BK.	1,00			--
0029		MPVR23482		TAIL PIECE TEC. TUV	1,00			--
0030		GUGO25527		O-RING D. 14 X 3 NBR 70SH	1,00			--
0031		MPVR40334		CONTROL BOX PW-C4/50 ABS BK.	1,00			--
0032		GUGO11309		JOINT MOUSSE D. 3	1,00		10/2011	--
0032		GUGO33675		JOINT MOUSSE D. 4	0,90	10/2011		--
0033		LAFN40458		SUPPORT PW-C40 INX	1,00			--
0034		MPVR40339		RED COVER PW-C40 PPL	1,00			--
0035		MPVR49057		BLACK KNOB P176-M.RACE PA6	1,00			--
0036		MPVR60848		TANK CAP 1-1/4F	1,00			--



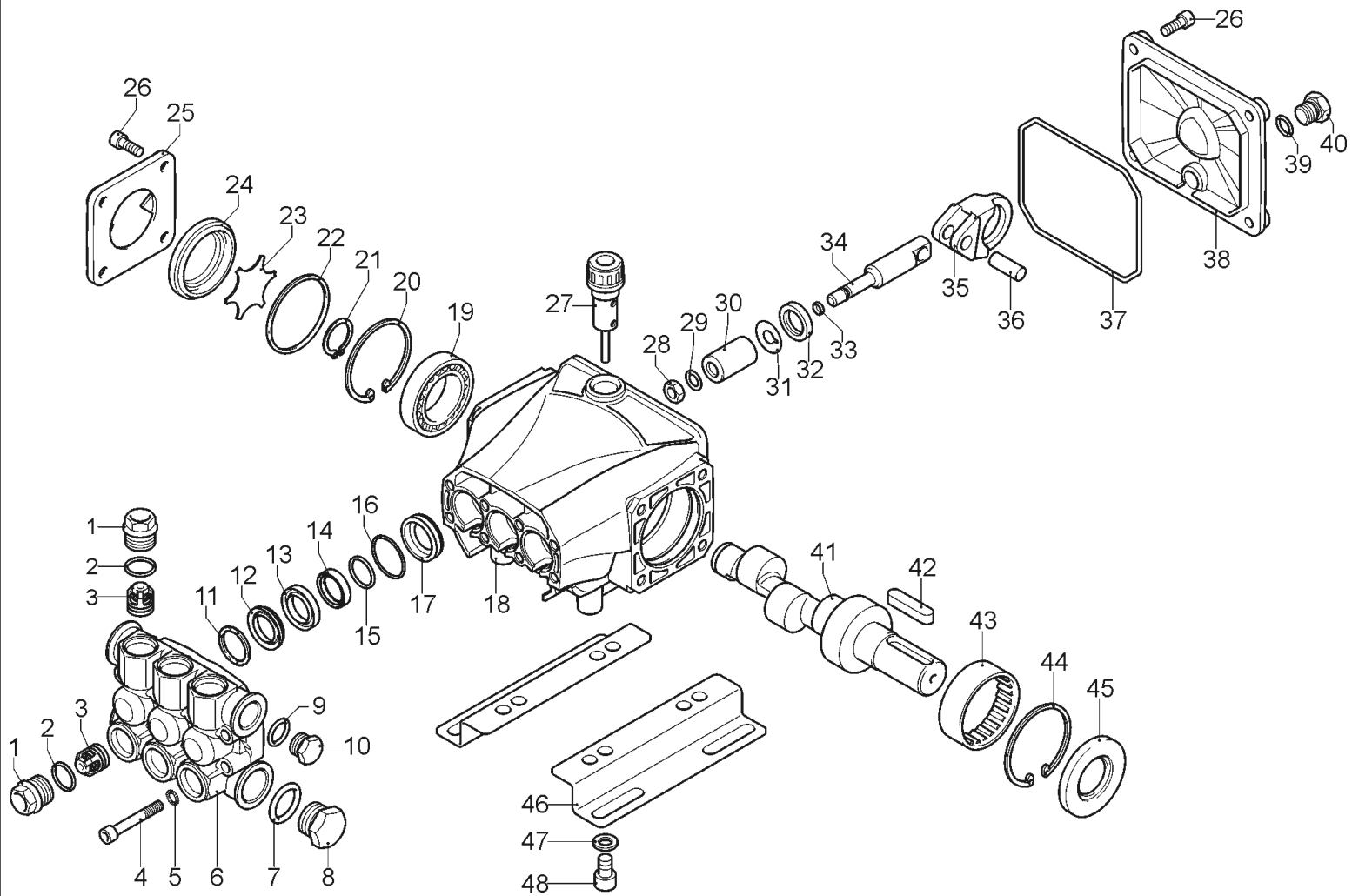
Ref.	K	Part N.	Customer Part N.	Description	Qty	Validity:		Price
						From	To	
0037		RCVR40046		CAP 1/4 M OT.NIK EI D. 6	1,00			--
0038		MPVR40346		HANDLE PW-C4/50 PST.BS PP BK.	1,00			--
0039		MPVR40347		HANDLE PW-C4/50 ANT.BS PP BK.	1,00			--
0040		MPVR80139		HOSE REEL H110	1,00	12/2011		--
0041		TBAP25324		H.P. HOSE R1 MT 10 5/16" C/2 IRV ZC	1,00			--
0042		IPIP40006		GRIP G 5100+AT.RAP.AR3-K +SW.M	1,00			--
0043		LCLC40004		LANCE SF-IX/PU 700 +AR3-K +1/4F	1,00	09/2013		--
0044		UGLN49987		NOZZLE LECH 1/4 15045	1,00	09/2013		--
0060		VVSC40550		VALVE 1/2" 56°C	1,00	09/2011		--
0062		LCPR40039		FOAM DEVICE FL803 -TK.1LT +AR3-K	1,00			--



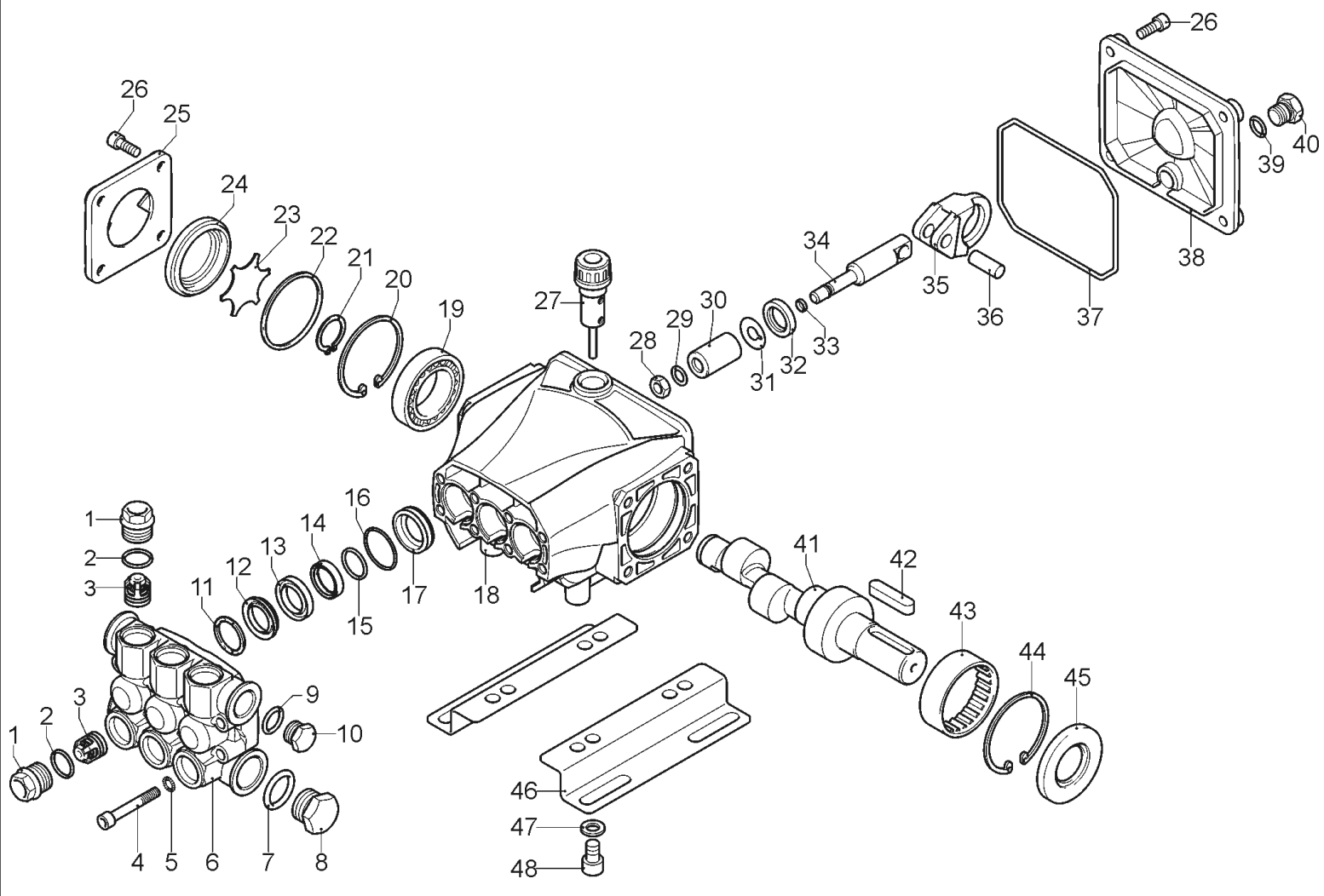
Ref.	K	Part N.	Customer Part N.	Description	Qty	Validity:		Price
						From	To	
K		METT40664		CONTACTOR SIE 3RT 1017 1AV01 400V	1,00			--
IG		MECI40022		SWITCH BRM BP. 0-1 20A	1,00			--
CV1		MECB40002		CABLE H07 RNF 4X1.5 L=6.500	1,00			--



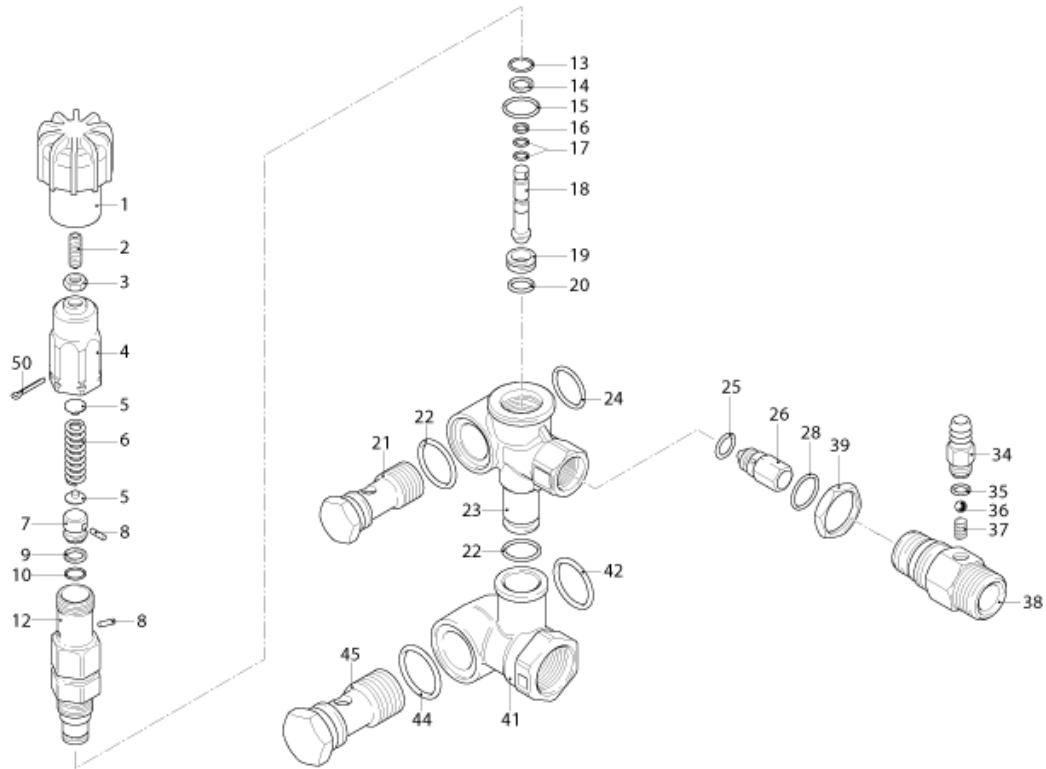
Ref.	K	Part N.	Customer Part N.	Description	Qty	Validity:		Price
						From	To	
0001		PVVR40120		CAP AR RC	6,00			--
0002		GUGO03505		O-RING D. 15.6 X 1.78 NBR 70SH	6,00			--
0003	S	VVAM40002		VALVE UNIT RC	3,00	08/2012		--
0003	S	VVAM40002		VALVE UNIT RC	6,00		07/2012	--
0003	S	VVAM40007		VALVE UNIT RC ASP. BK	3,00	08/2012		--
0004		VTVT01531		SCREW TE 6X 16 UNI 5739	8,00			--
0005		VTRS00503		WASHER D. 6 TE UNI 6798	8,00			--
0006		MFVR40026		HEAD AR RCS OT.	1,00			--
0007		GUGO19245		O-RING D. 17.5 X 2 NBR 70SH	1,00			--
0008		PVVR40121		CAP 1/2 M RC	1,00			--
0009		GUGO09720		O-RING D. 14 X 1.78 NBR 70SH	1,00			--
0010		PVVR40099		CAP 3/8 M HRM	1,00			--
0011	S	PVVR40158		HEAD RING D. 15 RCS	3,00			--
0012	S	GUVR40028		PACKING D. 15 XJS	3,00			--
0013		PVVR40159		INTERMED. RING D. 15 RCS	3,00			--
0014	S	GUVR40041		PACKING D. 15 RCS L.P.	3,00			--
0015	S	GUVR40042		ANTI-EXTR. RING D. 15	3,00			--
0016	S	GUGO08182		O-RING D. 21.91 X 1.78 NBR 70SH	3,00			--
0017		PVVR40160		PACKING RETAIN. D. 15 RCS	3,00			--
0018		MFVR40027		PUMP CRANKCASE AR RCS	1,00			--
0019		CUVR28336		BALL BEARING 6304	1,00			--
0020		VTAE32478		CIRCLIP D. 32 UNI 7437	1,00			--
0021		VTAE06193		CIRCLIP D. 20 UNI 7435	1,00			--
0022		GUGO02561		O-RING D. 47.3 X 2.62 NBR 70SH	1,00			--
0023		PVVR40125		DISC RC	1,00			--
0024		PVVR40126		OIL INDICATOR RC	1,00			--
0025		MFVR40021		CRANKCASE COVER AR RC LT.	1,00			--
0026		VTVT01531		SCREW TE 6X 16 UNI 5739	8,00			--
0027		PVVR19231		OIL CAP XTS	1,00			--
0028		VTDD00483		NUT M 8 ZIN UNI 5588	3,00			--
0029		VTRS19394		WASHER D. 8X13X0.5	3,00			--
0030	S	PIVR19232		PISTON D. 15 XTS	3,00			--
0031		PVVR19233		DISC XTS	3,00			--
0032	S	GUGO09690		OIL SEAL 15X 24X 5 NBR70	3,00			--
0033		GUGO08071		O-RING D. 4.48 X 1.78 NBR 70SH	3,00			--
0034		PVVR40127		PISTON GUIDE RC	3,00			--
0035		BLVR40001		CONNECTING ROD RC	3,00			--
0036		PVVR40128		GUDGEON D. 9X23 RC	3,00			--
0037		GUGO18695		O-RING D. 101.27 X 2.62 NBR 70SH	1,00			--



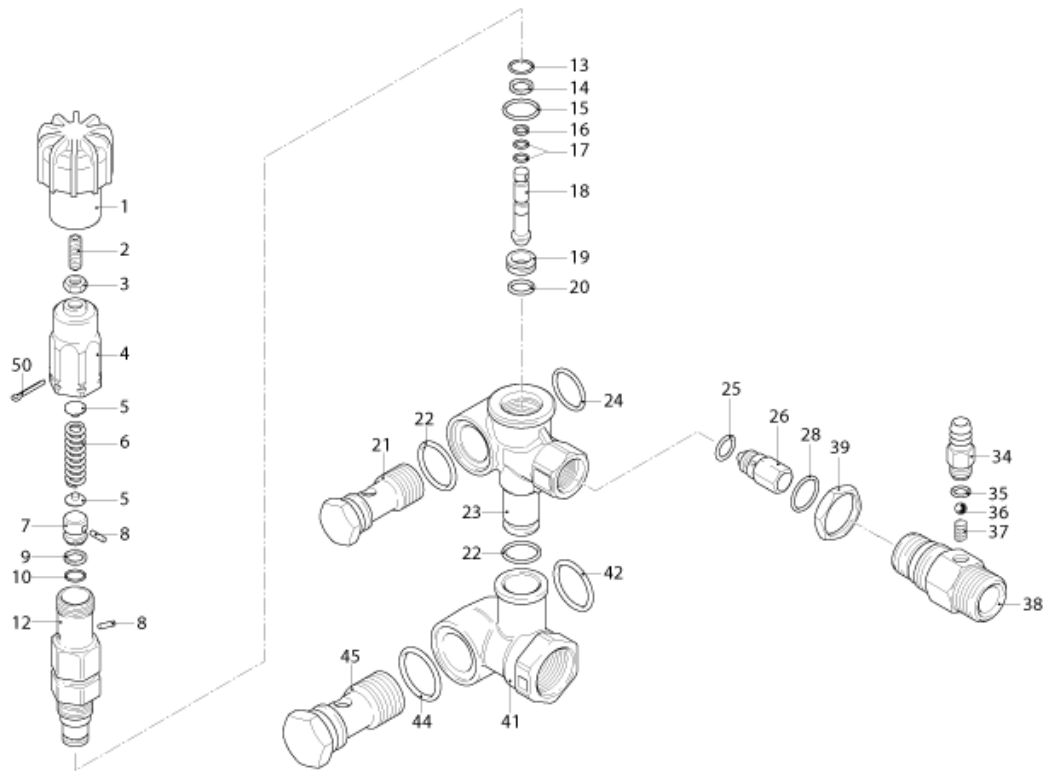
Ref.	K	Part N.	Customer Part N.	Description	Qty	Validity:		Price
						From	To	
0038		MFVR40022		CRANKASE COVER AR RC	1,00			--
0039		GUGO01036		O-RING D. 10.82 X 1.78 NBR 70SH	1,00			--
0040		PVVR40129		CAP 3/8 M RC	1,00			--
0041		ALMO40010		SHAFT AR RCS 13LT VRS. N	1,00			--
0042		VTVR41531		KEY 8X 7X35 UNI 6604A	1,00			--
0043		CUVR23636		ROLLER BEARING HK 4516	1,00			--
0044		VTAE06193		CIRCLIP D. 20 UNI 7435	1,00			--
0045	S	GUGO00999		OIL SEAL 25X 52X 7 NBR70	1,00			--



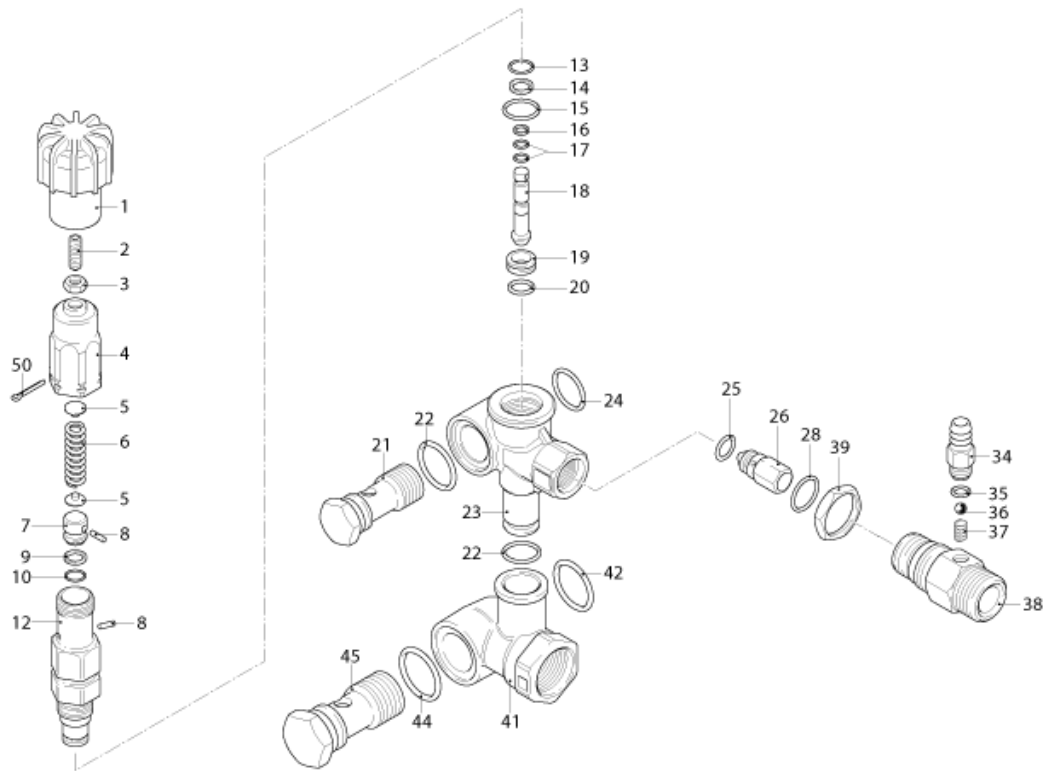
Ref. Part N.	Cust. Part N.	Description	Reference	Price
KTRI40092	KIT P	15-2186 RC	0003	--
KTRI40096	KIT P	15-42468 RC	0032 0045	--
KTRI40139	KIT P	15-42475 D.15 RCS	0030	--
KTRI40140	KIT P	15-42476 D.15 RCS	0012 0014 0015 0016	--
KTRI40141	KIT P	15-2191 D.15 RCS	0011	--
KTRI40207	KIT P	15-41341 RC 3+3 BL./WH.	0003 0003	--



Ref.	K	Part N.	Customer Part N.	Description	Qty	Validity:		Price
						From	To	
0001		PVVR40227		KNOB M.MT/4B	1,00			--
0002		VTVT20261		SCREW EI-ST 6X20 UNI5923	1,00			--
0003		VTDD00482		NUT M 6 ZIN UNI 5588	1,00			--
0004		PVVR40066		REGISTER AR XJS	1,00		06/2013	--
0004		PVVR40236		KNOB M.MT/4B	1,00	07/2013		--
0005		PVVR40067		SPRING PLATE AR XJS	2,00			--
0006		MLML40007		SPRING D. 10.8X48.9 D.2.8 XJS	1,00			--
0007	S	PVVR40068		SMALL PISTON AR XJS SP.	1,00			--
0008	S	VTVR19193		PLUG D. 2.5X10	1,00			--
0009	S	GUVR40026		ANTI-EXTR.RING D. 8	1,00			--
0010	S	GUGO06988		O-RING D. 7.66 X 1.78 NBR 70SH	1,00		06/2013	--
0010	S	GUGO40179		O-RING D. 8 X 2 NBR 70SH	1,00	07/2013		--
0012	S	PVVR40069		PISTON GUIDE AR XJS	1,00		06/2013	--
0012	S	PVVR40385		PISTON GUIDE AR XJS 2V.	1,00	07/2013		--
0013	S	GUGO09720		O-RING D. 14 X 1.78 NBR 70SH	1,00			--
0014	S	GUGO63403		O-RING D. 8.73 X 1.78 NBR 70SH	1,00			--
0015	S	GUGO02259		O-RING D. 15.54 X 2.62 NBR 70SH	1,00			--
0016	S	GUVR40027		ANTI-EXTR.RING D. 3.7	1,00			--
0017	S	GUGO19189		O-RING D. 2.90 X 1.78 NBR 70SH	2,00			--
0018	S	PVVR40070		CONTROL PISTON AR XJS IF.	1,00			--
0019	S	PVVR40071		VALVE SEAT AR XJS	1,00			--
0020	S	GUGO41692		O-RING D. 9 X 1 NBR 70SH	1,00			--
0021		RCDS40068		SCREW G 3/8 M.MATIC 4/B OT.	1,00			--
0022		GUGO01047		O-RING D. 11.91 X 2.62 NBR 70SH	2,00			--
0023		PVVR40130		VALVE BODY M.MATIC 4/B	1,00			--
0024		GUGO19395		O-RING D. 20.24 X 2.62 NBR 70SH	1,00			--
0025	S	GUGO12494		O-RING D. 4 X 2.5 -NBR 70SH	1,00			--
0026	S	PVVR40074		COUPLING N.RIT. XJS	1,00			--
0027		MLML32257		SPRING D. 6.5X14 D.0.5	1,00		06/2013	--
0028	S	GUGO11652		O-RING D. 12.42 X 1.78 NBR 70SH	1,00			--
0034		PVVR40135		HOSE FITTING M.MATIC 4/B IN.	1,00			--
0035		GUGO08071		O-RING D. 4.48 X 1.78 NBR 70SH	1,00			--
0036		SFVR04274		BALL D. 7/32	1,00			--
0037		MLML40008		SPRING D. 4	1,00			--
0038		RCDS40074		NIPPLE G 3/8 D. 2 M.MATIC 4/B	1,00			--
0039		VTDD40003		LOCKNUT G 3/8	1,00			--
0041		PVVR40131		CONNECTOR M.MATIC 4/B	1,00			--
0042		GUGO76542		O-RING D. 23.47 X 2.62 NBR 70SH	1,00			--
0044		GUGO01058		O-RING D. 17.17 X 1.78 NBR 70SH	1,00			--



Ref. K	Part N.	Customer Part N.	Description	Qty	Validity:		Price
					From	To	
0045	RCDS40070		SCREW G 1/2 M.MATIC 4/B	1,00			--
0050	VTVR40025		SPLIT PIN D. 2,6X15	1,00			--



Ref. Part N.	Cust. Part N.	Description	Reference	Price
KTRI40127	KIT P	14-100 M.MATIC 4/B	0007 0008 0009 0010 0012 0013 0014 0015 0016 0017 0018 0019 0020	--
KTRI40128	KIT P	14-101 M.MATIC 4/B CK.V.	0025 0026 0028	--