



IPC Integrated Professional Cleaning

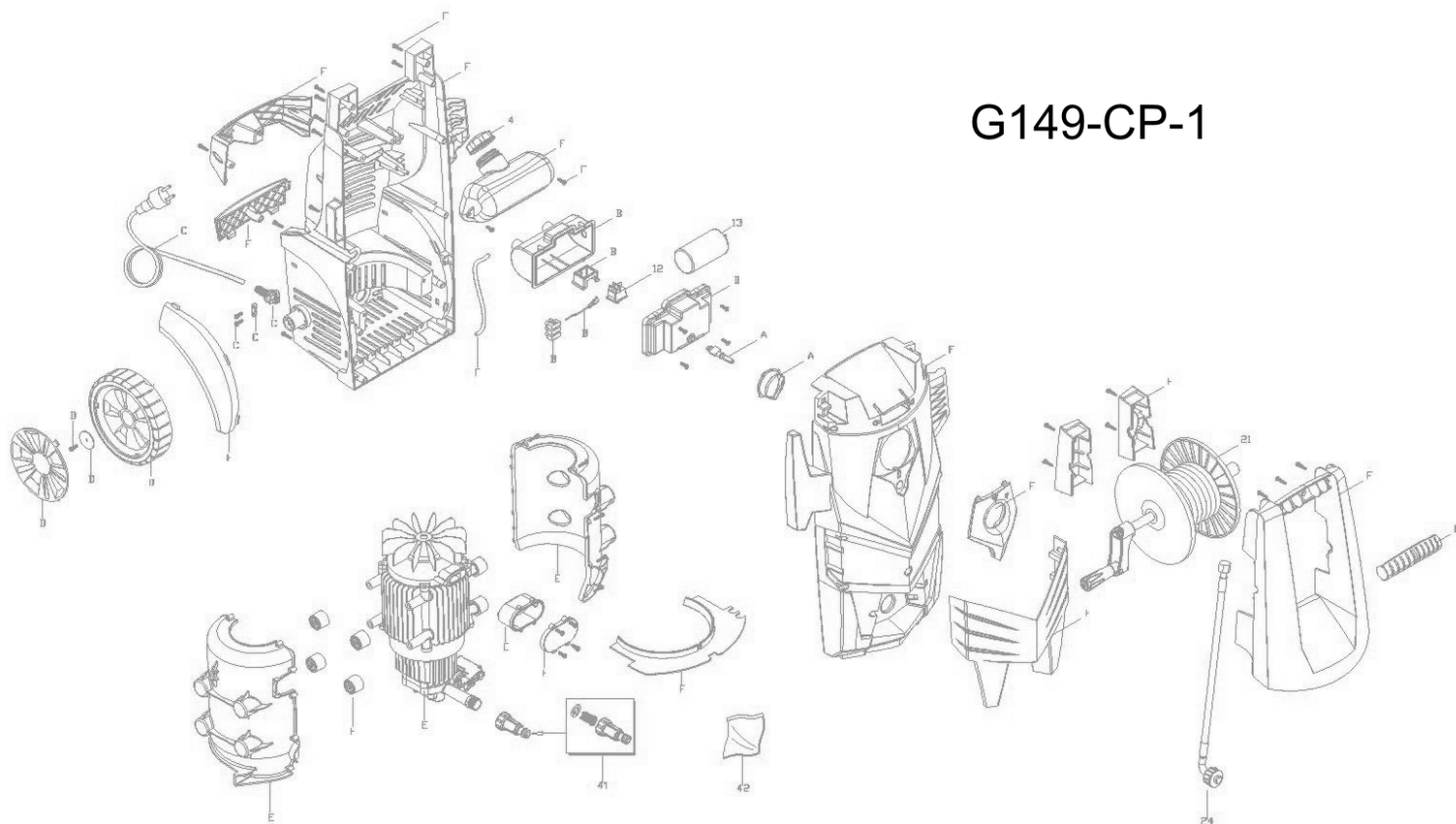
IPC Portotecnica

Spare Parts List

PORTOTECNICA

Ref: IDAF94297

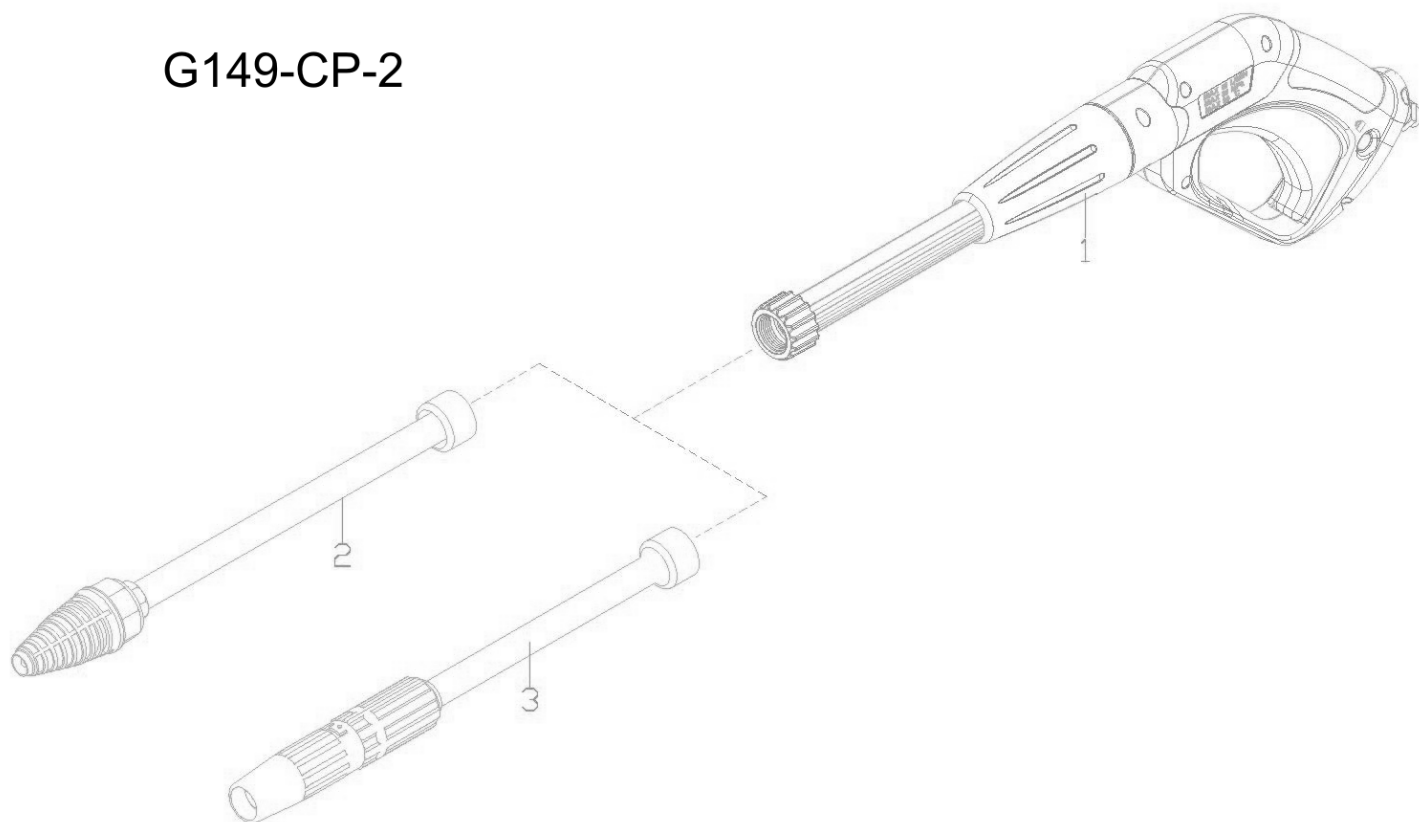
Model: IDROP G149-CP I1508A M 230/50 3-01PRT



G149-CP-1

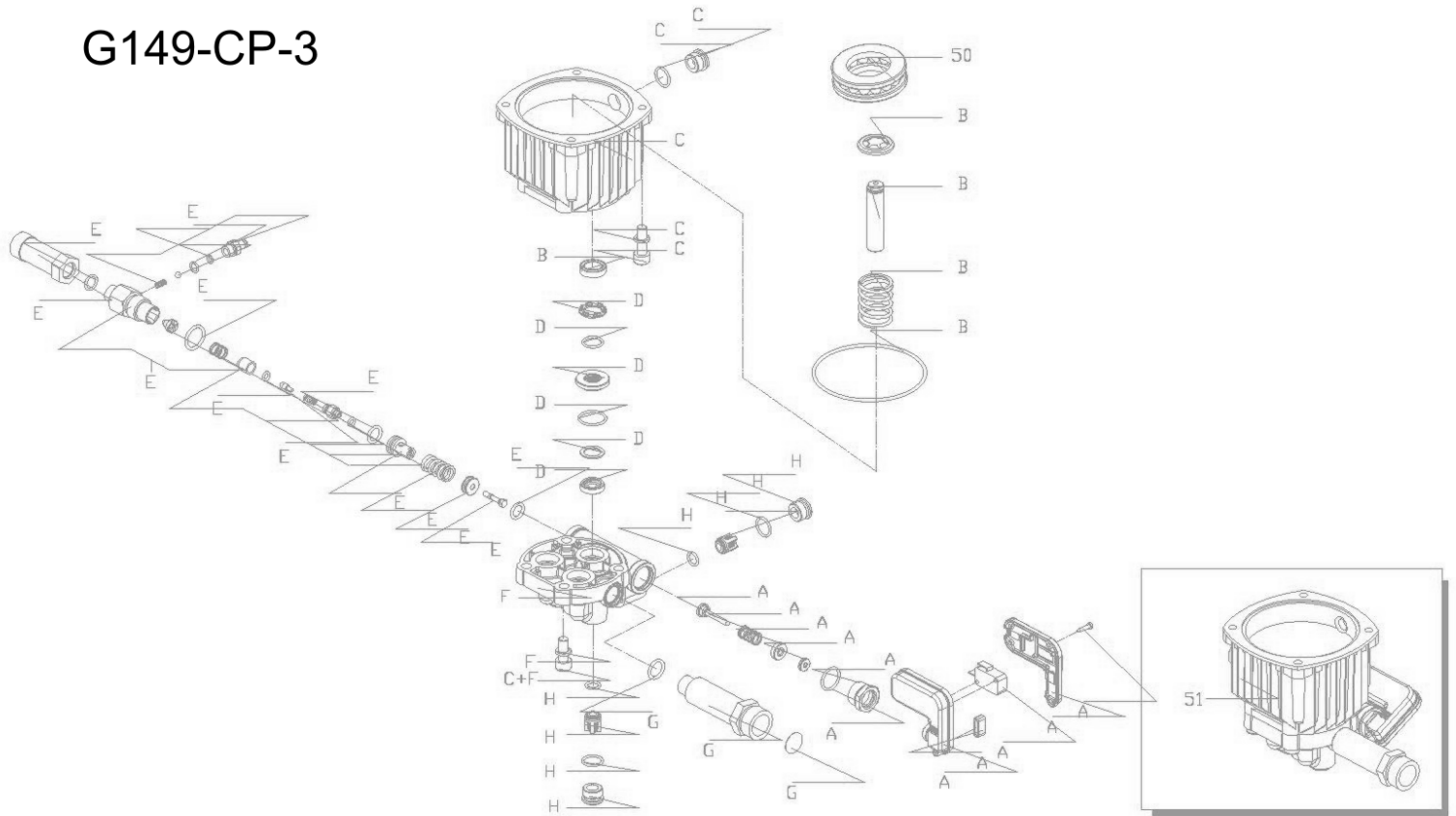
Ref.	K	Part N.	Customer Part N.	Description	Qty	Validity:		Price
						From	To	
A		KTRI40352		KNOB INT. G134-C	1,00			--
B		KTRI40353		CONTROL BOARD G149-CP	1,00			--
C		KTRI40350		CABLE G149-CP	1,00			--
D		KTRI40358		KIT P 1- 28 WHEEL D.160	1,00			--
E		PPEL40067		GROUP G149 1508A M 230/50	1,00			--
F		KTRI40375		KIT P 24- 23 COVER G149-CP	1,00			--
0004		MPVR40793		TANK CAP PW-C23 BK.	1,00			--
0012		MECI40038		SWITCH G149-CP	1,00			--
0013		MECO40022		CAPACITOR G149-CP	1,00			--
0021		KTRI40382		KIT P 35- 50 HOSE REEL G149-CP	1,00			--
0024		TBAP40185		HOSE AVTB G149-CP	1,00			--
0041		RCVR40174		SOCKET C10 3/4 F +FILT.	1,00			--
0042		PLDC94347		INSTR.MANUAL PW-C22P 26L IPC	1,00			--

G149-CP-2



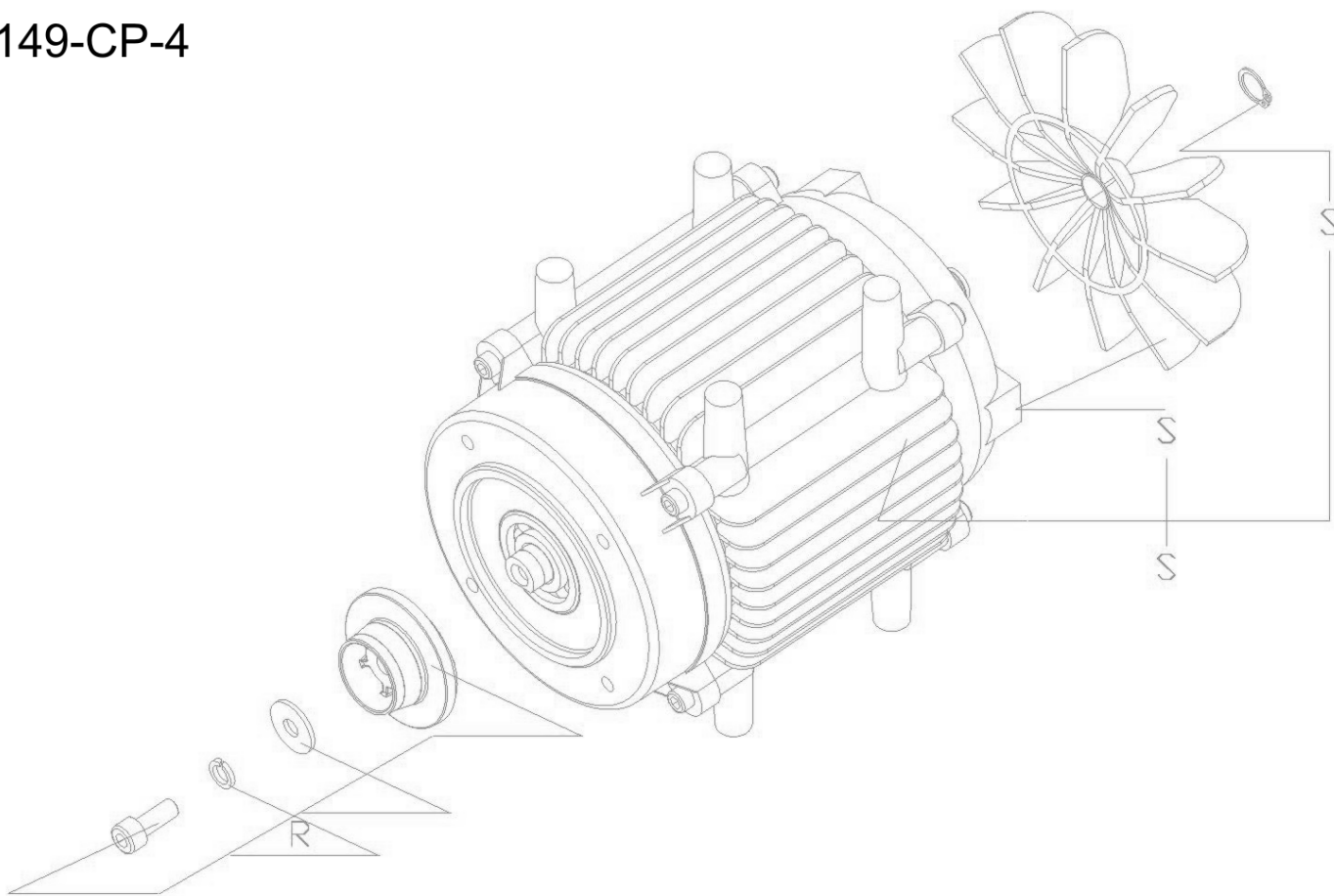
Ref. K	Part N.	Customer Part N.	Description	Qty	Validity:		Price
					From	To	
0001	IPPR40019		GUN AG375	1,00			--
0002	LCPR40125		LANCE ROTOPOWER 1,15	1,00			--
0003	LCPR40120		LANCE M.REG 0,95	1,00			--
0004	TBAP40171		H.P. HOSE TEX MT 8	1,00			--

G149-CP-3



Ref.	K	Part N.	Customer Part N.	Description	Qty	Validity:		Price
						From	To	
A		MEPF40032		PRESSURE SWITCHTSS G149-CP	1,00			--
B		KTRI40345		KIT P 15-230 D.14	1,00			--
C		KTRI40356		KIT P 15-234 GUIDA PISTONI	1,00			--
D		KTRI40359		KIT P 15-236 TENUTE D.14	1,00			--
E		KTRI40365		KIT P 14-111 BY-PASS G149-CP	1,00			--
F		KTRI40368		KIT P 15-239 HEAD G149-CP	1,00			--
G		KTRI40377		KIT P 15-242 RACC.ASP. G144-CP	1,00			--
H		KTRI40347		KIT P 15-232 VALVOLINE+TAP.	1,00			--
0050		CUVR40022		ROLLER BEARING G149-CP	1,00			--
0051		PPAP40120		PUMP G149 PREM.	1,00			--

G149-CP-4



Ref.	K	Part N.	Customer Part N.	Description	Qty	Validity:		Price
						From	To	
R		KTRI40378		KIT P 15-243 PIATTELLO G149-CP	1,00			--
S		MOMO40065		1PH MOTOR G149-C 230-50	1,00			--