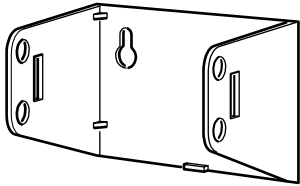
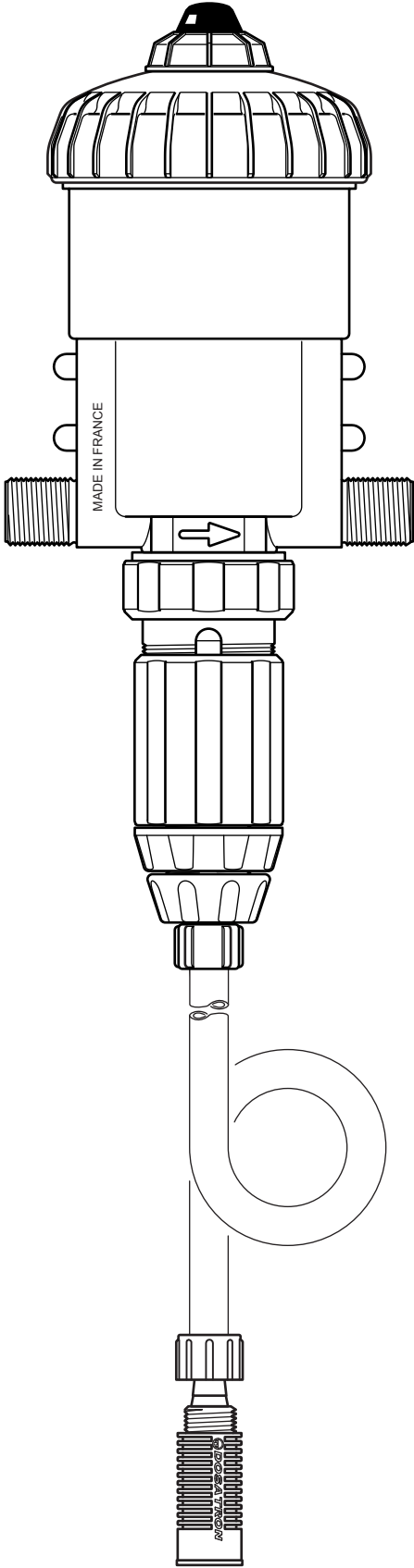


# D25RE5

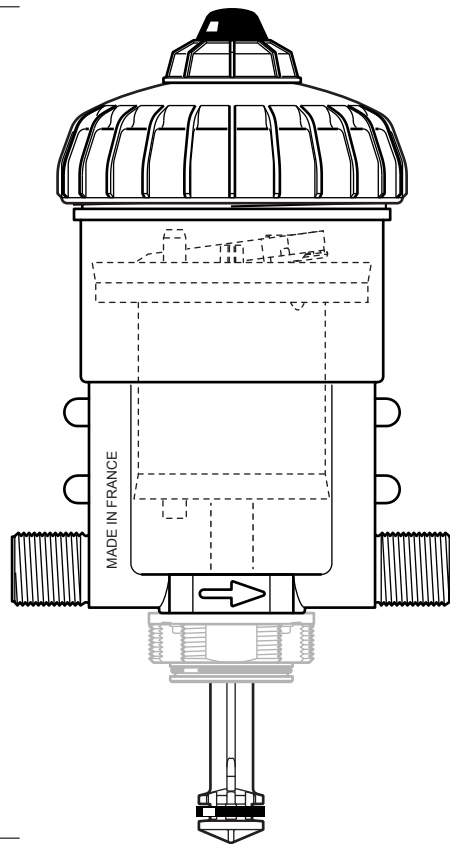
2.5 m<sup>3</sup>/h - 1 - 5%  
11 GPM - 1:100 - 1:20  
0.3 - 6 bar  
4.3 - 85 psi



# D25RE5

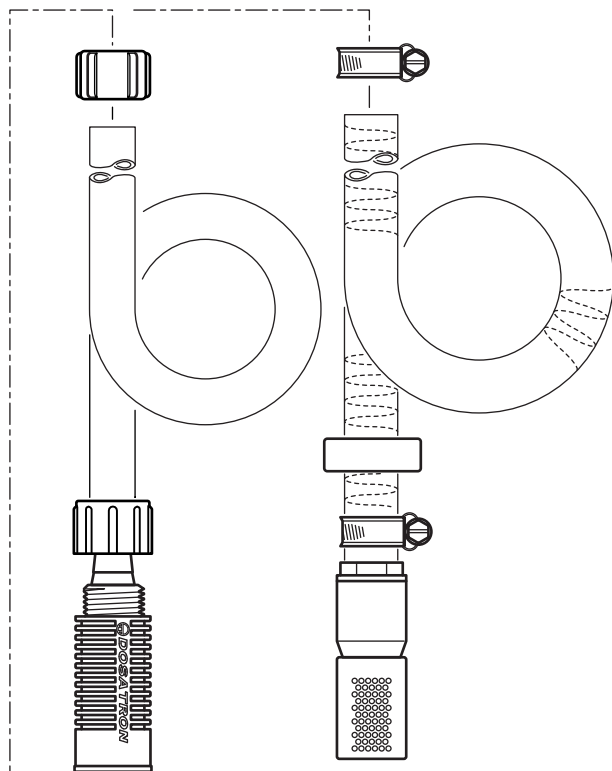
2.5 m<sup>3</sup>/h - 1 - 5%  
11 GPM - 1:100 - 1:20  
0.3 - 6 bar  
4.3 - 85 psi

**C+M**

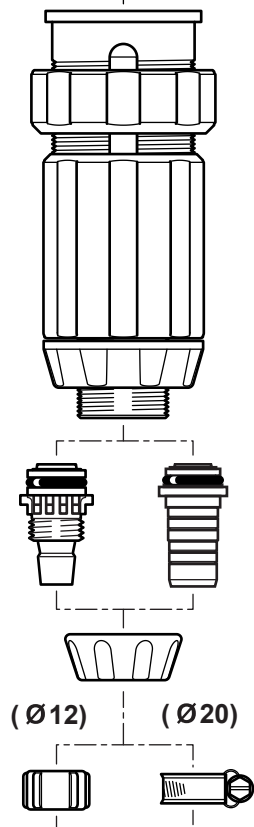


**A**

**Option "V"**

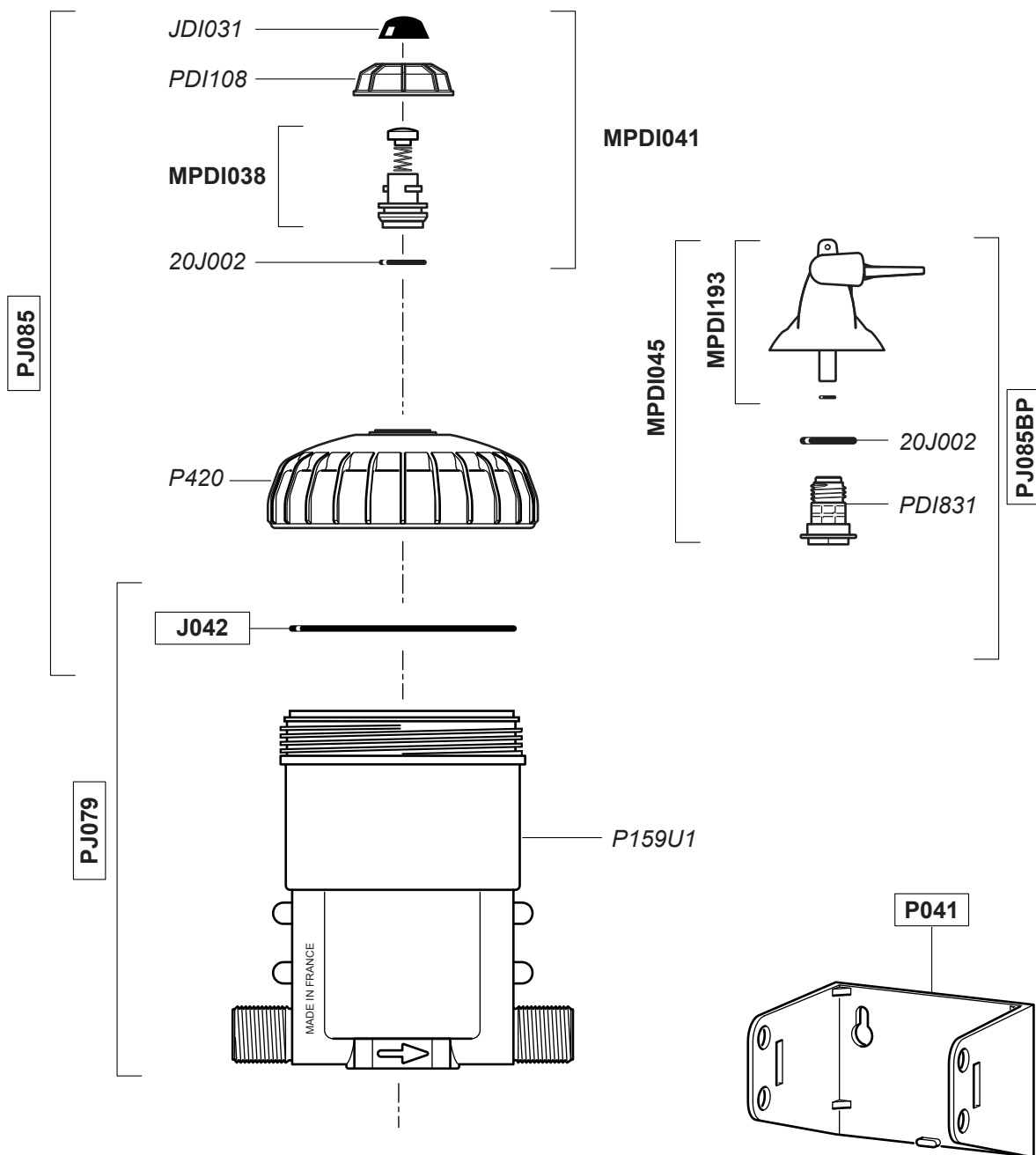


**D**



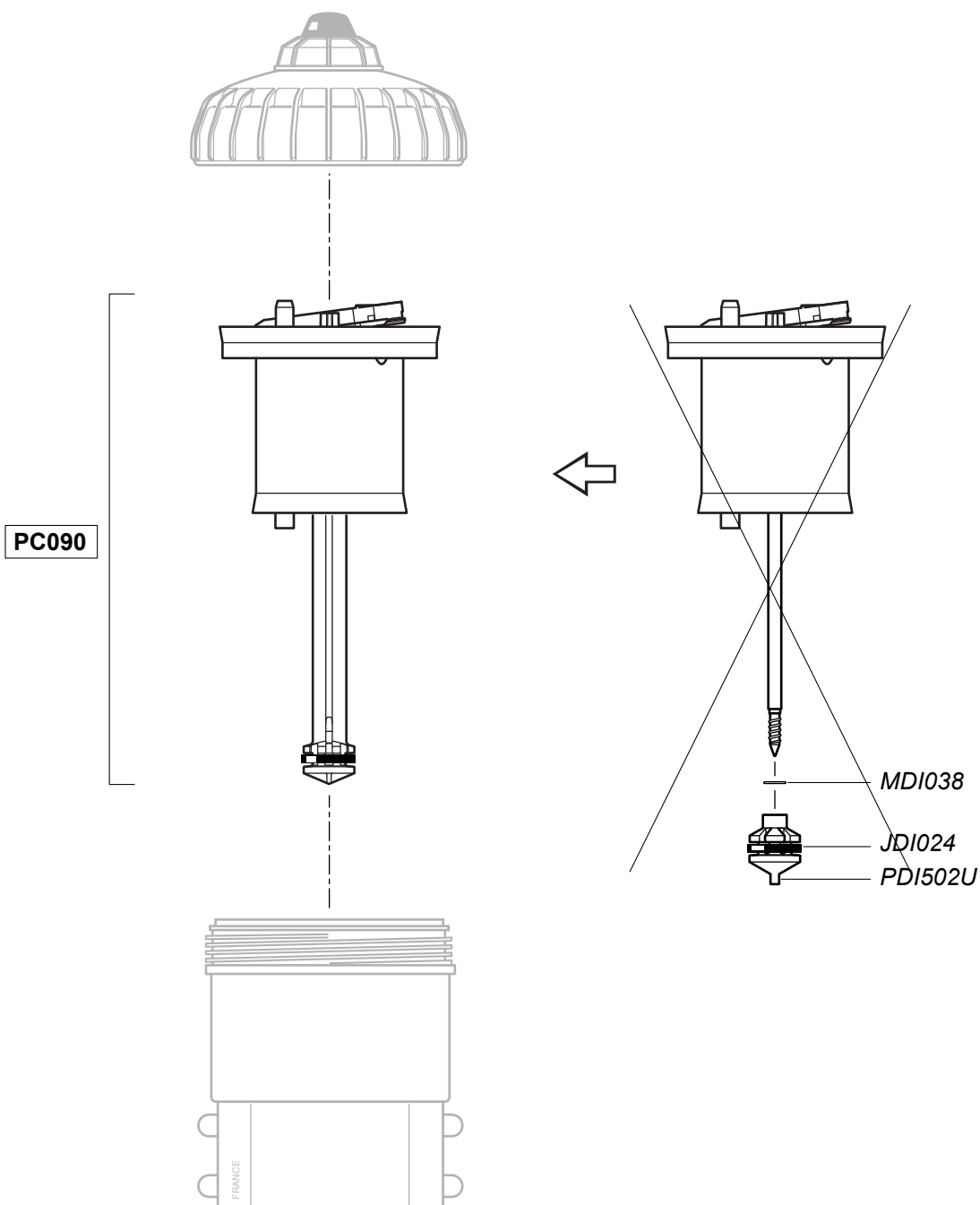
# D25RE5

2.5 m<sup>3</sup>/h - 1 - 5%  
 11 GPM - 1:100 - 1:20  
 0.3 - 6 bar  
 4.3 - 85 psi



# D25RE5

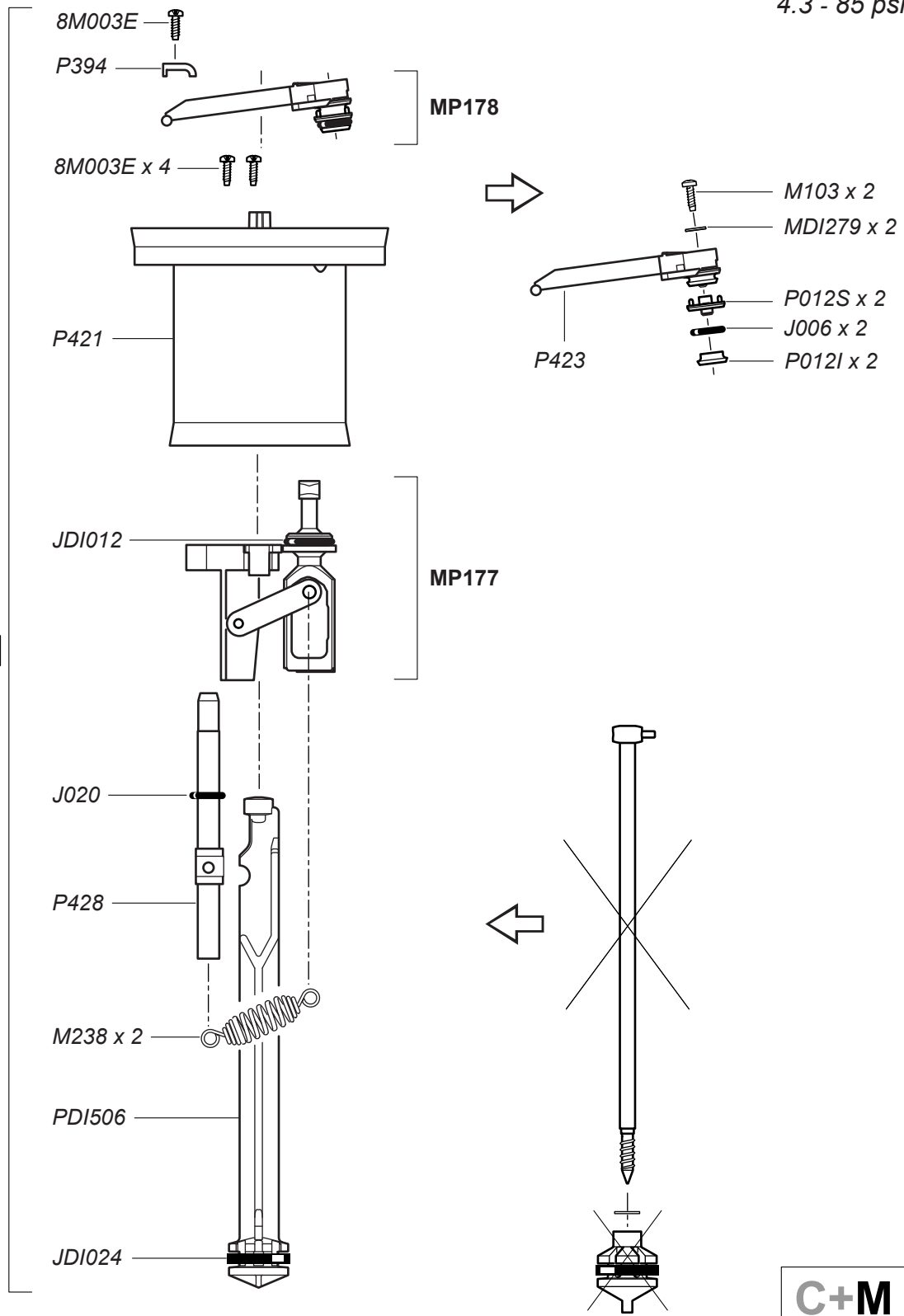
2.5 m<sup>3</sup>/h - 1 - 5%  
11 GPM - 1:100 - 1:20  
0.3 - 6 bar  
4.3 - 85 psi



# D25RE5

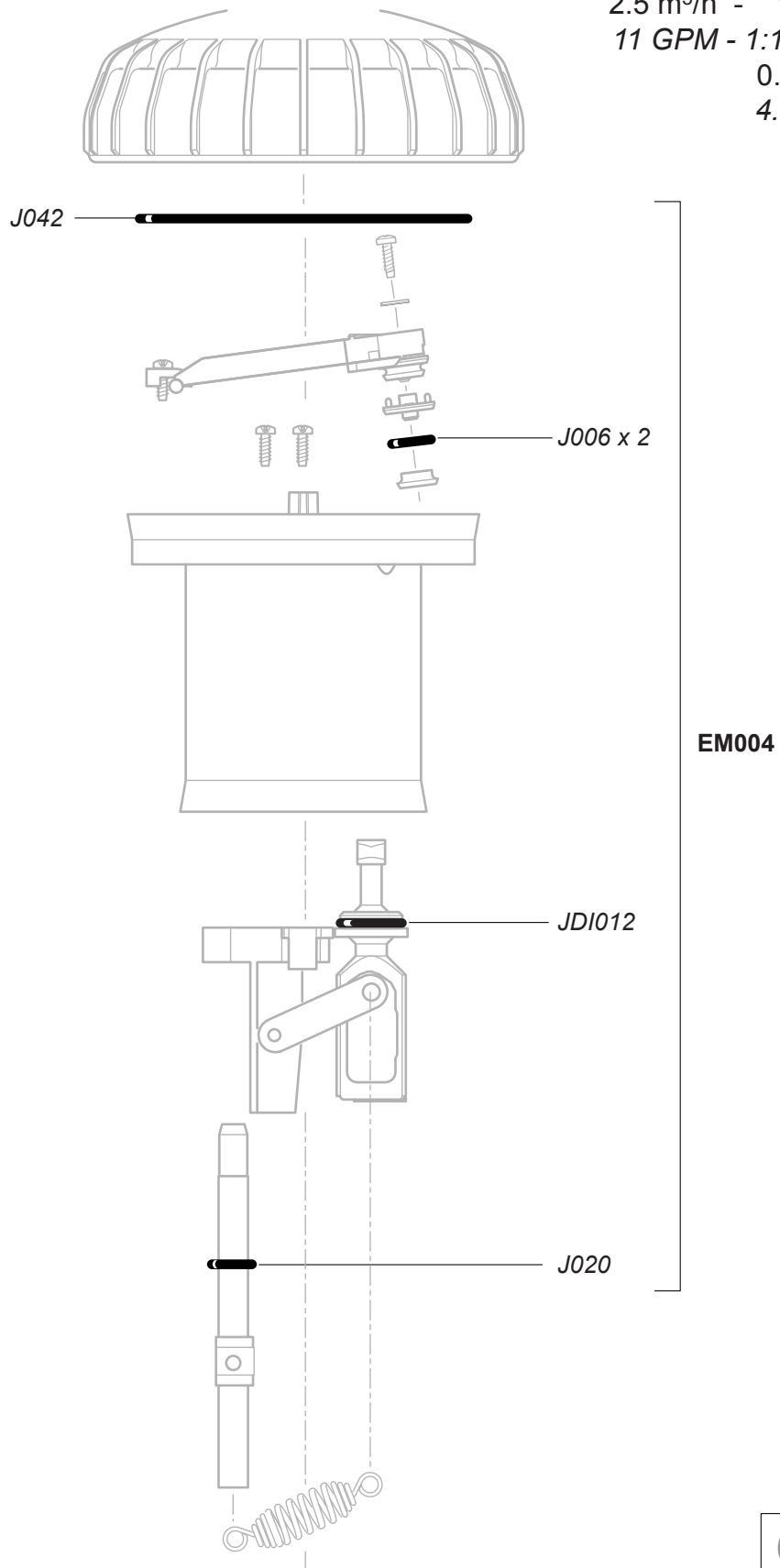
2.5 m<sup>3</sup>/h - 1 - 5%  
 11 GPM - 1:100 - 1:20  
 0.3 - 6 bar  
 4.3 - 85 psi

**PC090**



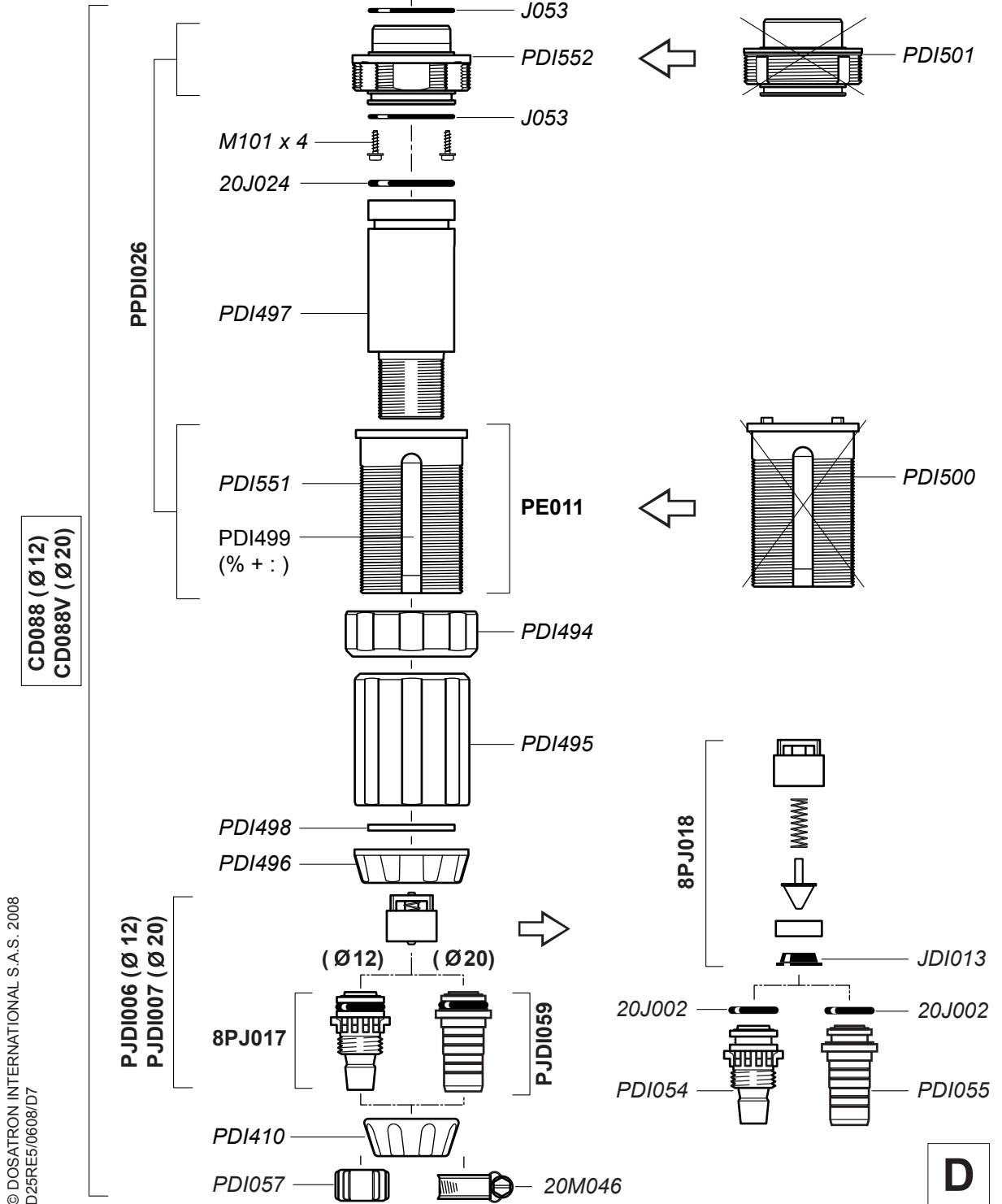
# D25RE5

2.5 m<sup>3</sup>/h - 1 - 5%  
11 GPM - 1:100 - 1:20  
0.3 - 6 bar  
4.3 - 85 psi



# D25RE5

2.5 m<sup>3</sup>/h - 1 - 5%  
 11 GPM - 1:100 - 1:20  
 0.3 - 6 bar  
 4.3 - 85 psi

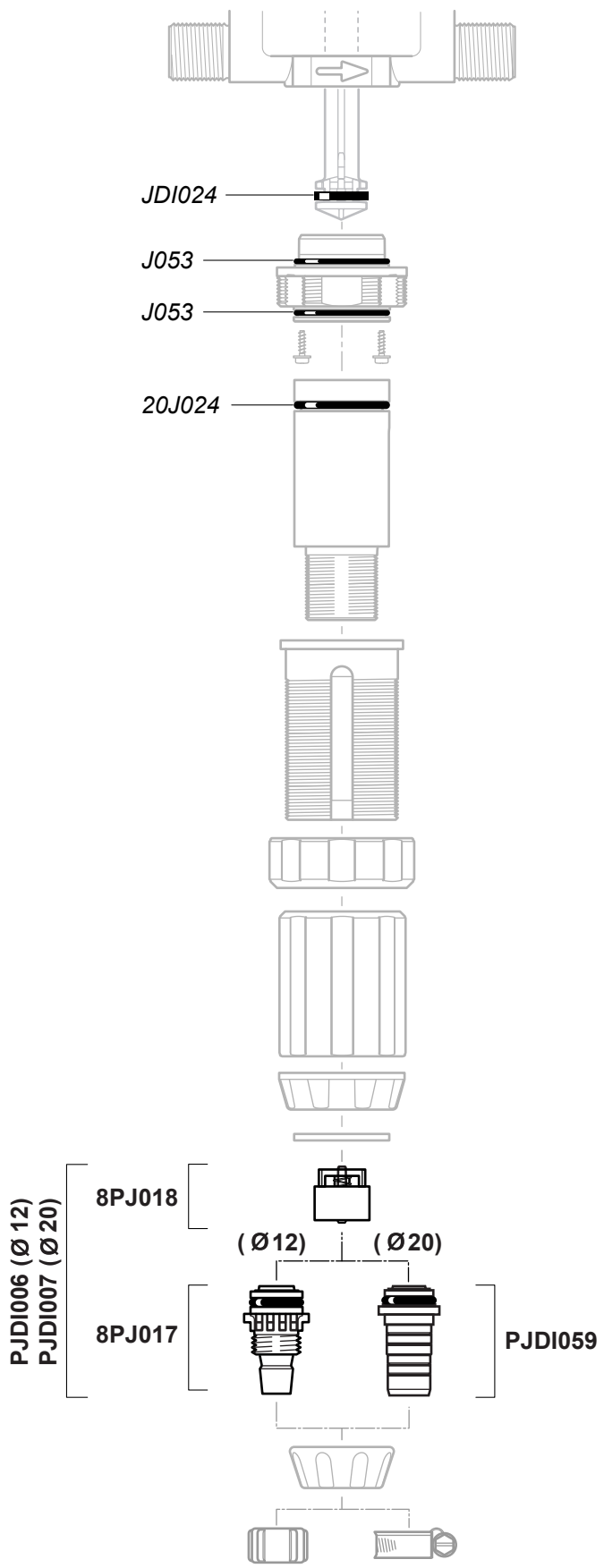


# D25RE5

2.5 m<sup>3</sup>/h - 1 - 5%  
 11 GPM - 1:100 - 1:20  
 0.3 - 6 bar  
 4.3 - 85 psi

PJ119 (Ø12)  
 PJ119V (Ø20)

© DOSATRON INTERNATIONAL S.A.S. 2008  
 D25RE5/0608/D8

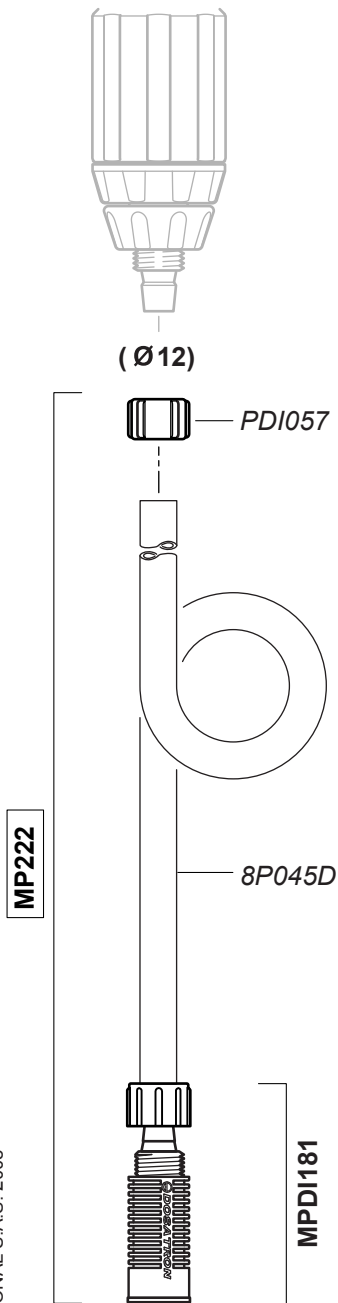


D



# D25RE5

2.5 m<sup>3</sup>/h - 1 - 5%  
 11 GPM - 1:100 - 1:20  
 0.3 - 6 bar  
 4.3 - 85 psi



## Option "V"

