



**IPC Integrated Professional Cleaning**

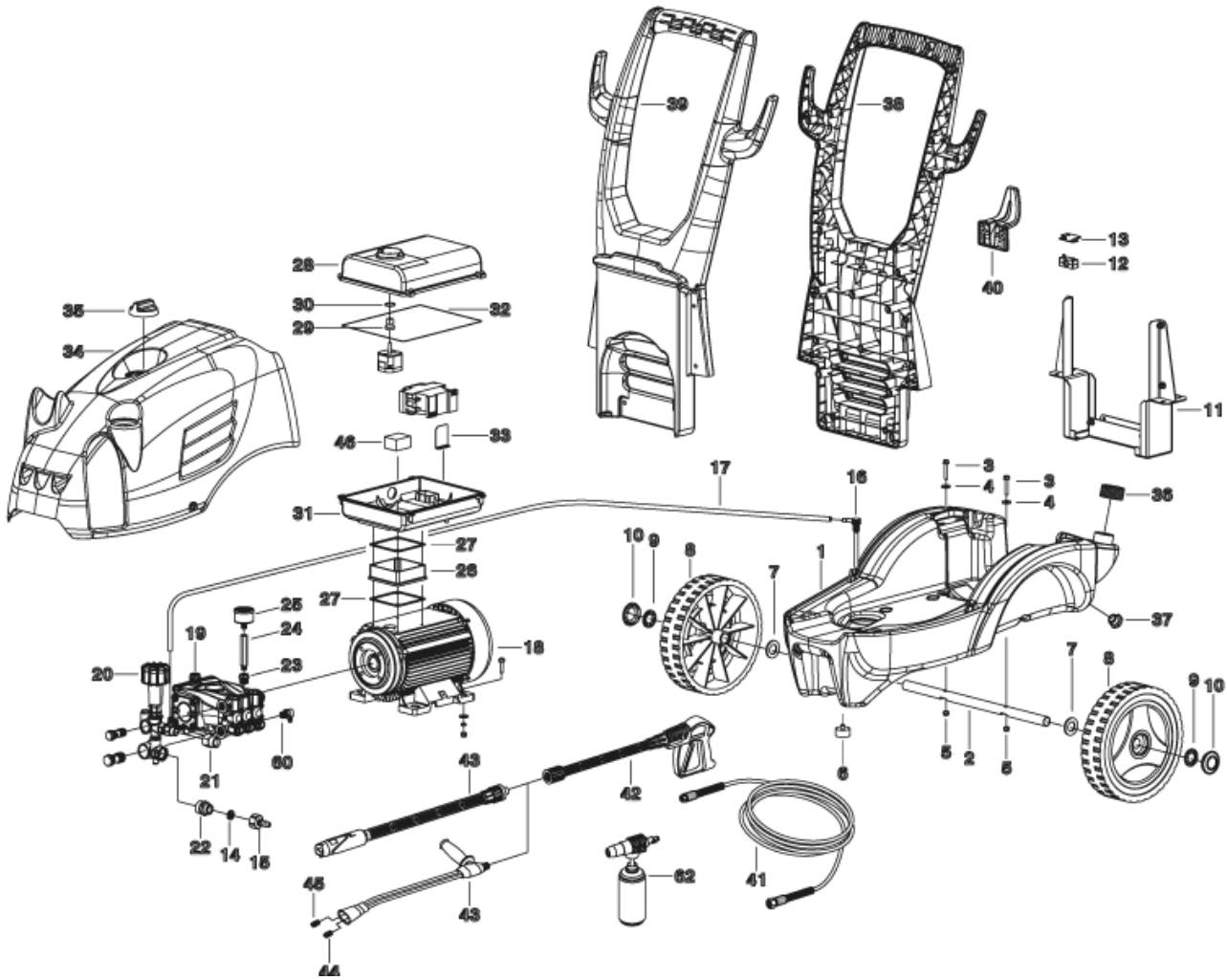
**IPC** Portotecnica

## Spare Parts List

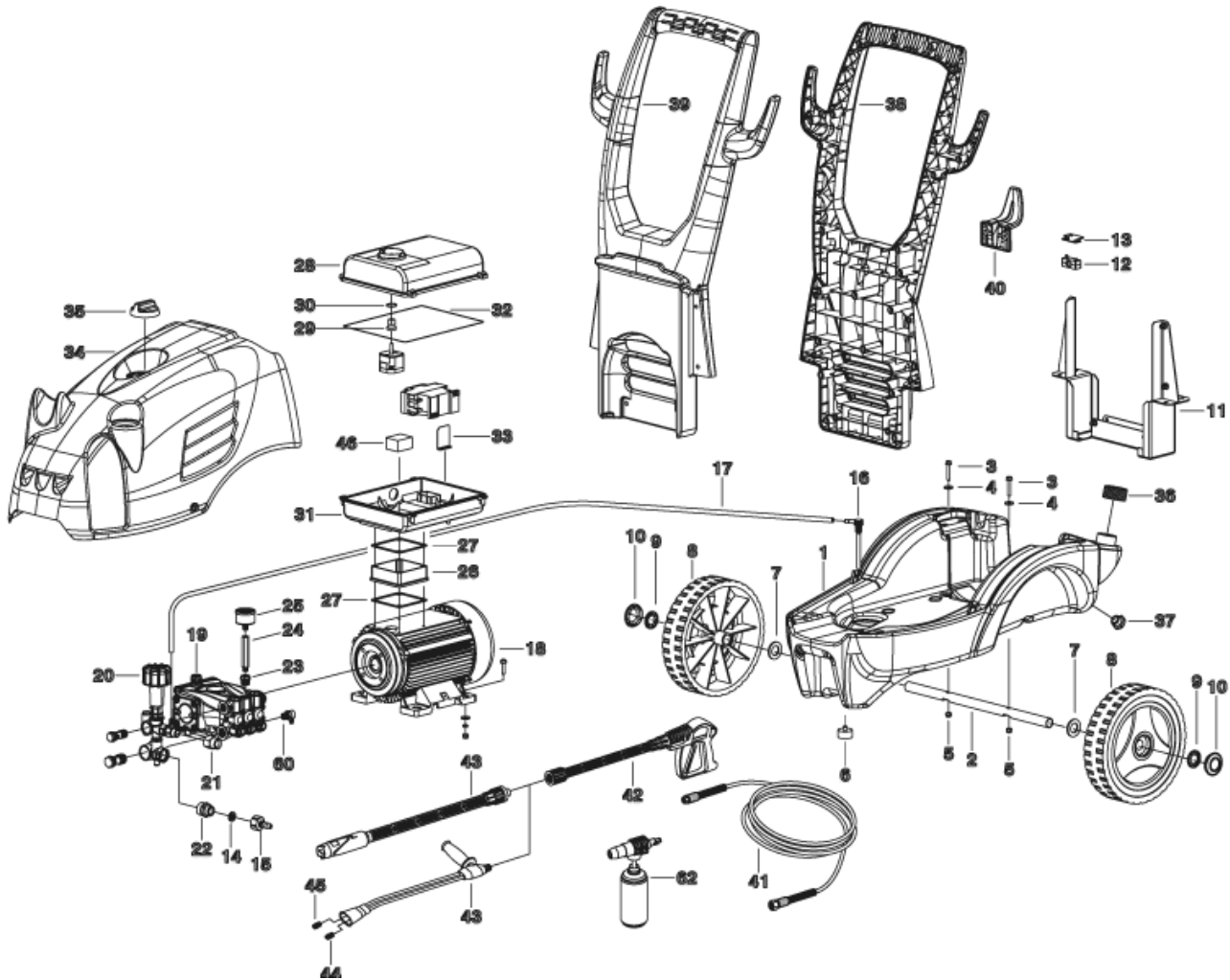
MEDIACOM

Ref: IDAF40547

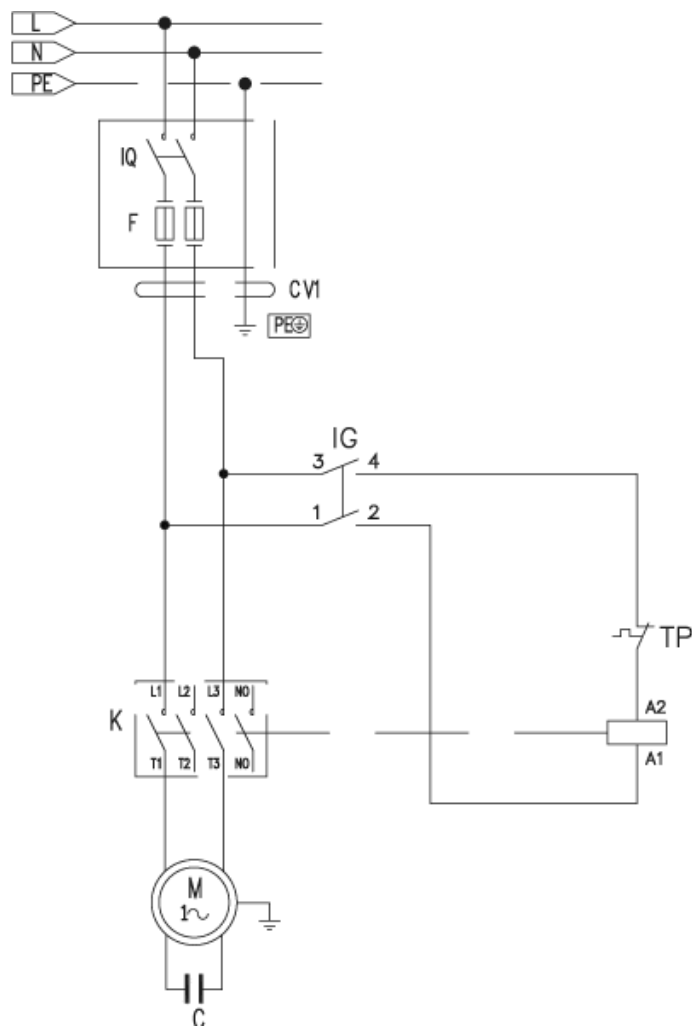
Model: IDROP N.ELITE-C 1310P M 230/50 3-01PRS



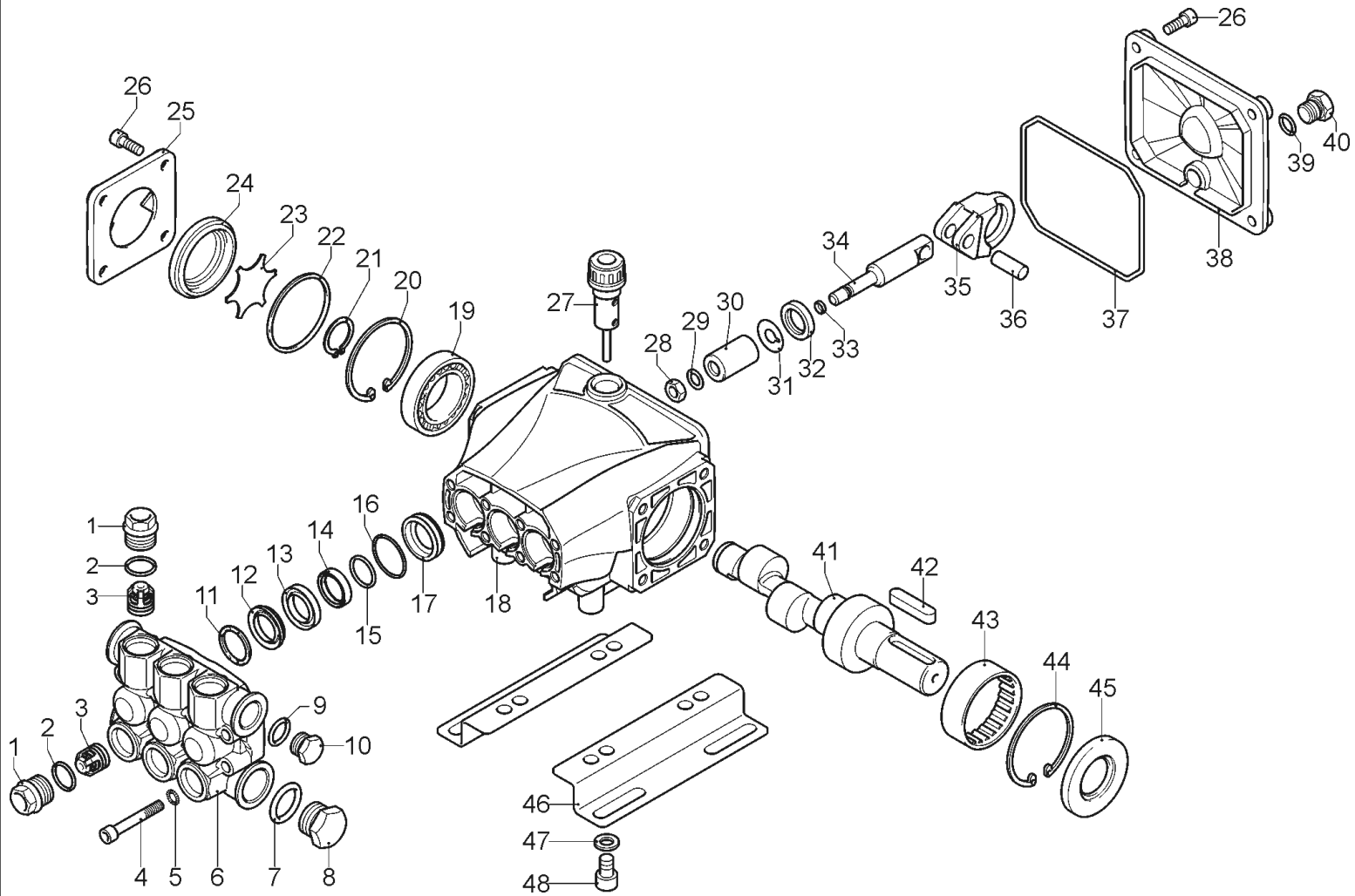
Ref.	K	Part N.	Customer Part N.	Description	Qty	Validity:		Price
						From	To	
0001		MPVR40329		CHASSIS PW-C40 PEHD BK	1,00			--
0002		LAFN40450		TROLLEY AXLE PW-C40 D.20 ZC.	1,00			--
0003		VTRS13945		WASHER D. 6X18 INX UNI 6593	2,00			--
0004		VTVT06242		SCREW TE M 6X 35 F/RD.ZN	2,00			--
0005		VTDD00491		NUT M 6 TEF	2,00			--
0006		ABGO40000		VIBRATION DAMP.30X15- 1M8X 8 60SH GMn	1,00			--
0007		VTRS00509		WASHER D.20 PIANA Z. UNI6592	2,00			--
0008		RTRT40019		WHEEL D.250-D.20X 58 RES BK.	2,00			--
0009		VTRS28558		WASHER D.20	2,00			--
0010		MPVR40343		BLACK CAP D.50 G-48 BK.	2,00			--
0011		LAFN40456		BRACKET PW-C40 BK.	1,00			--
0012		MEVR20906		CABLE FASTNER KSM	1,00	09/2013		--
0013		LAFN40457		SUPPORT PW-C40	1,00	09/2013		--
0014		FTDT12702		FILTER PA	1,00			--
0015		RCVR29600		SOCKET PTC 3/4 F	1,00			--
0016		RCDS40110		SUCTION L= 110 -2 O-RING	1,00			--
0017		TBBP62474		L.P. HOSE D. 7-10 CR.	0,50			--
0017		FSVR40006		CLAMP D 9.8 - 10.4	1,00	12/2011		--
0018		MOMO40041		1PH MOTOR C40/AC HP 3 230-50 2P k	1,00	09/2013		--
0019		PPAP40067		PUMP RCS 10.12 DX N	1,00			--
0020		VVAZ40021		VALVE AR VRC-BM RC I.2.0	1,00			--
0021		RCIN03753		MALE COUPLING M22-3/8 M-FA	1,00			--
0022		RCDS88293		NIPPLE 3/4 - 3/8 CB D. 7.5 OT	1,00			--
0023		PVVR40183		CAP AR RC C/F. 1/8F+OR	1,00			--
0024		RCDS40111		COLUMN M-F 1/8 L=65 MM OT.	1,00			--
0025		MNMN18650		PRESSURE GAUGE 0-300 D.40	1,00			--
0026		MPVR13033		SPACER SIC H90	1,00			--
0027		GUGO10881		GASKET M.EL. 73X73	1,00			--
0027		GUGO10881		GASKET M.EL. 73X73	1,00	09/2013		--
0028		MPVR40335		BOX COVER PW-C40 ABS BK.	1,00	09/2013		--
0029		MPVR23482		TAIL PIECE TEC. TUV	1,00	09/2013		--
0030		GUGO25527		O-RING D. 14 X 3 NBR 70SH	1,00	09/2013		--
0031		MPVR40334		CONTROL BOX PW-C4/50 ABS BK.	1,00	09/2013		--
0032		GUGO11309		JOINT MOUSSE D. 3	1,00		10/2011	--
0032		GUGO33675		JOINT MOUSSE D. 4	0,90	09/2013		--
0033		LAFN40458		SUPPORT PW-C40 INX	1,00	09/2013		--
0033		LAFN40458		SUPPORT PW-C40 INX	1,00		10/2011	--
0034		MPVR40339		RED COVER PW-C40 PPL	1,00			--
0035		MPVR49057		BLACK KNOB P176-M.RACE PA6	1,00			--



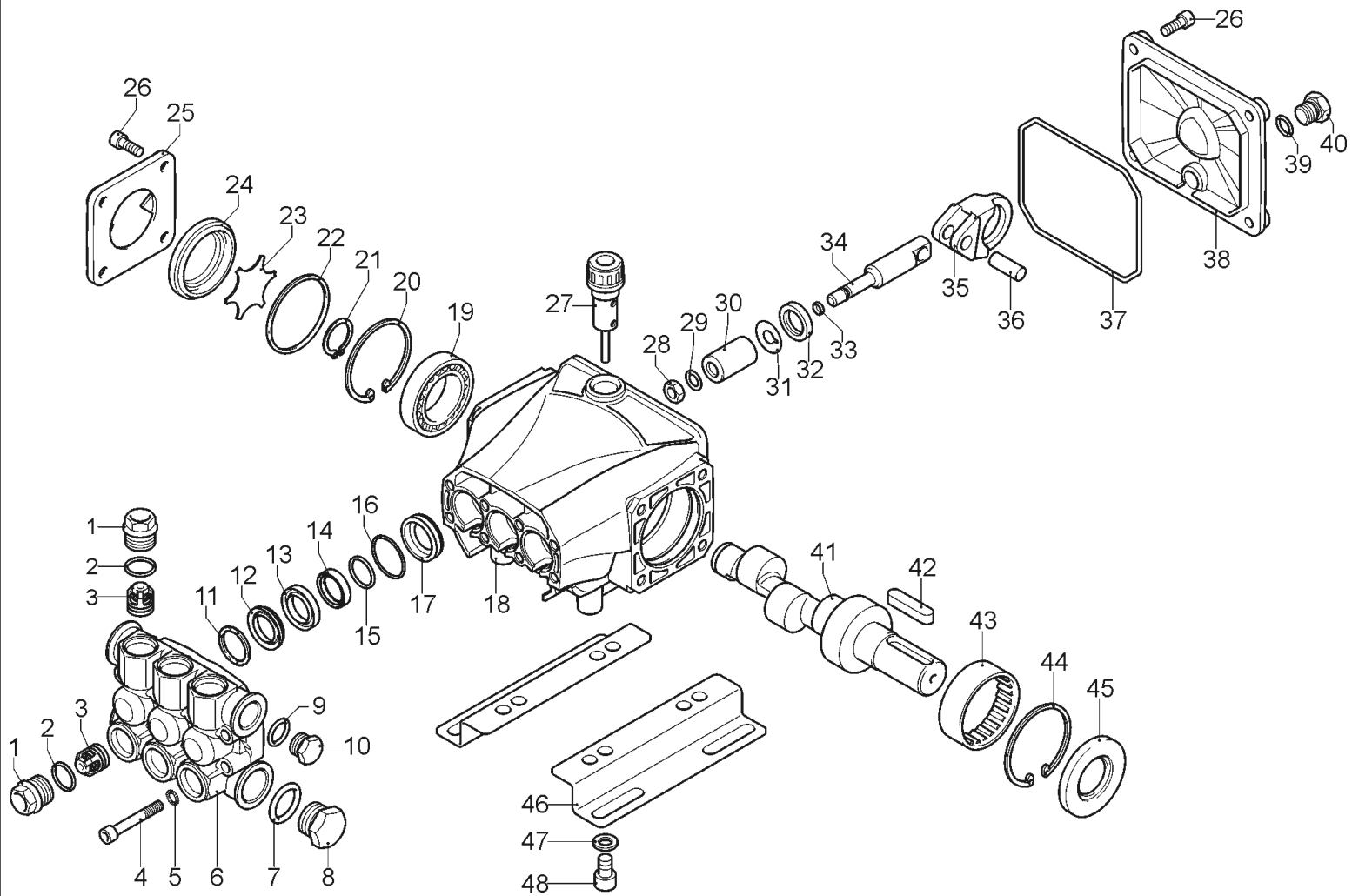
Ref. K	Part N.	Customer Part N.	Description	Qty	Validity:		Price
					From	To	
0036	MPVR60848		TANK CAP 1-1/4F	1,00			--
0037	RCVR40046		CAP 1/4 M OT.NIK EI D. 6	1,00			--
0038	MPVR40346		HANDLE PW-C4/50 PST.BS PP BK.	1,00			--
0039	MPVR40347		HANDLE PW-C4/50 ANT.BS PP BK.	1,00			--
0040	MPVR80139		HOSE REEL H110	1,00	12/2011		--
0041	TBAP25324		H.P. HOSE R1 MT 10 5/16" C/2 IRV ZC	1,00			--
0042	IPIP40006		GRIP G 5100+AT.RAP.AR3-K +SW.M	1,00			--
0043	LCLC40004		LANCE SF-IX/PU 700 +AR3-K +1/4F	1,00			--
0044	UGLN49991		NOZZLE LECH 1/4 2504	1,00			--
0046	ITSO89974		SOUND-PROOFING ELT 60X35 H.20	1,00	09/2013		--
0060	VVSC40550		VALVE 1/2" 56°C	1,00	09/2011		--
0062	LCPR40039		FOAM DEVICE FL803 -TK.1LT +AR3-K	1,00			--



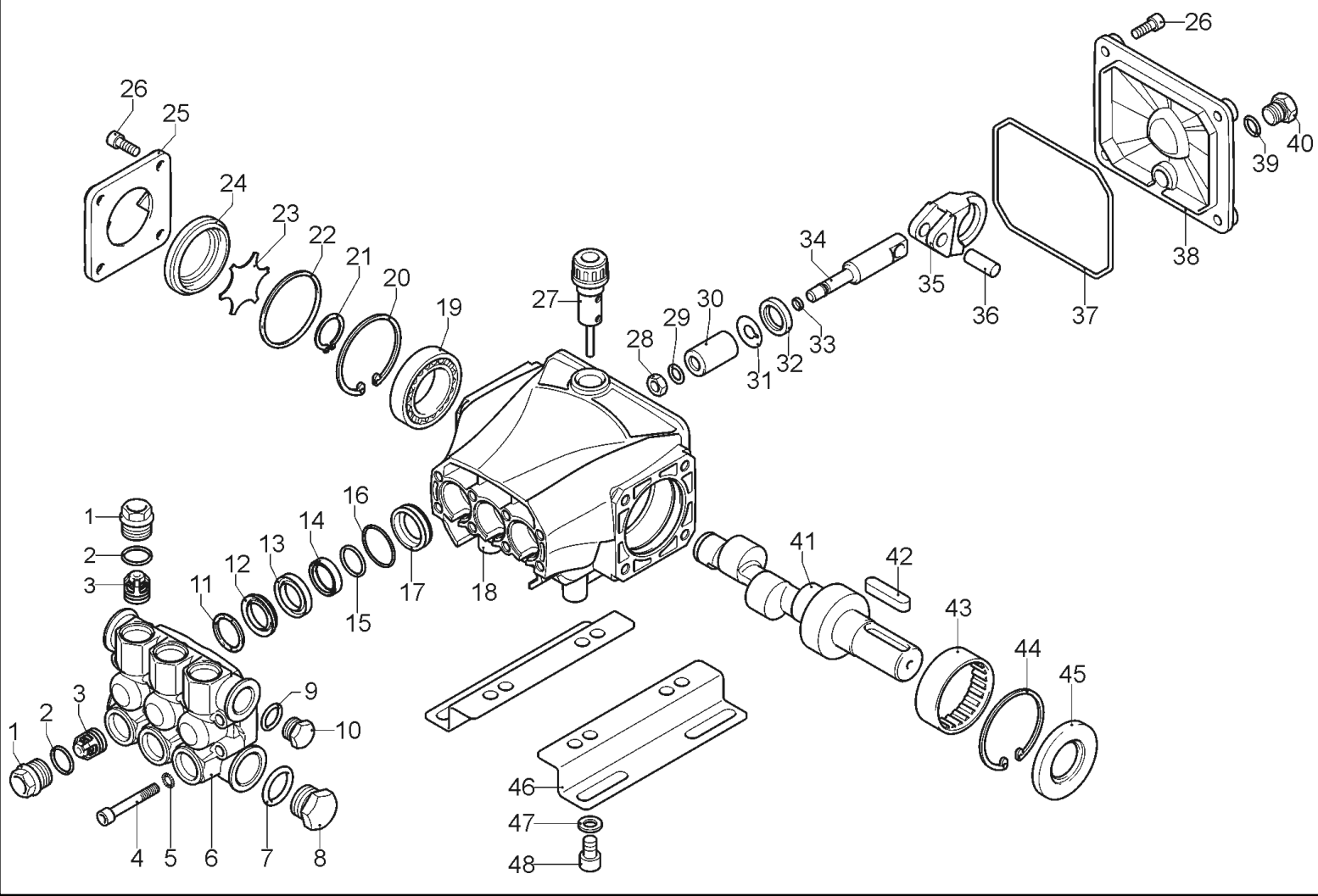
Ref.	K	Part N.	Customer Part N.	Description	Qty	Validity:		Price
						From	To	
C		MECO40002		CAPACITOR 65 MF 500V RP3-FD 55X122	1,00			--
K		METT44556		CONTACTOR SIE 3RT 1017 1AP01 230V	1,00	09/2013		--
IG		MECI40020		SWITCH BRM BP. 0-1 12A	1,00	09/2013		--
CV1		MECB40191		CABLE H05 VVF 3X1.5 L=5.500 SP.	1,00	09/2013		--



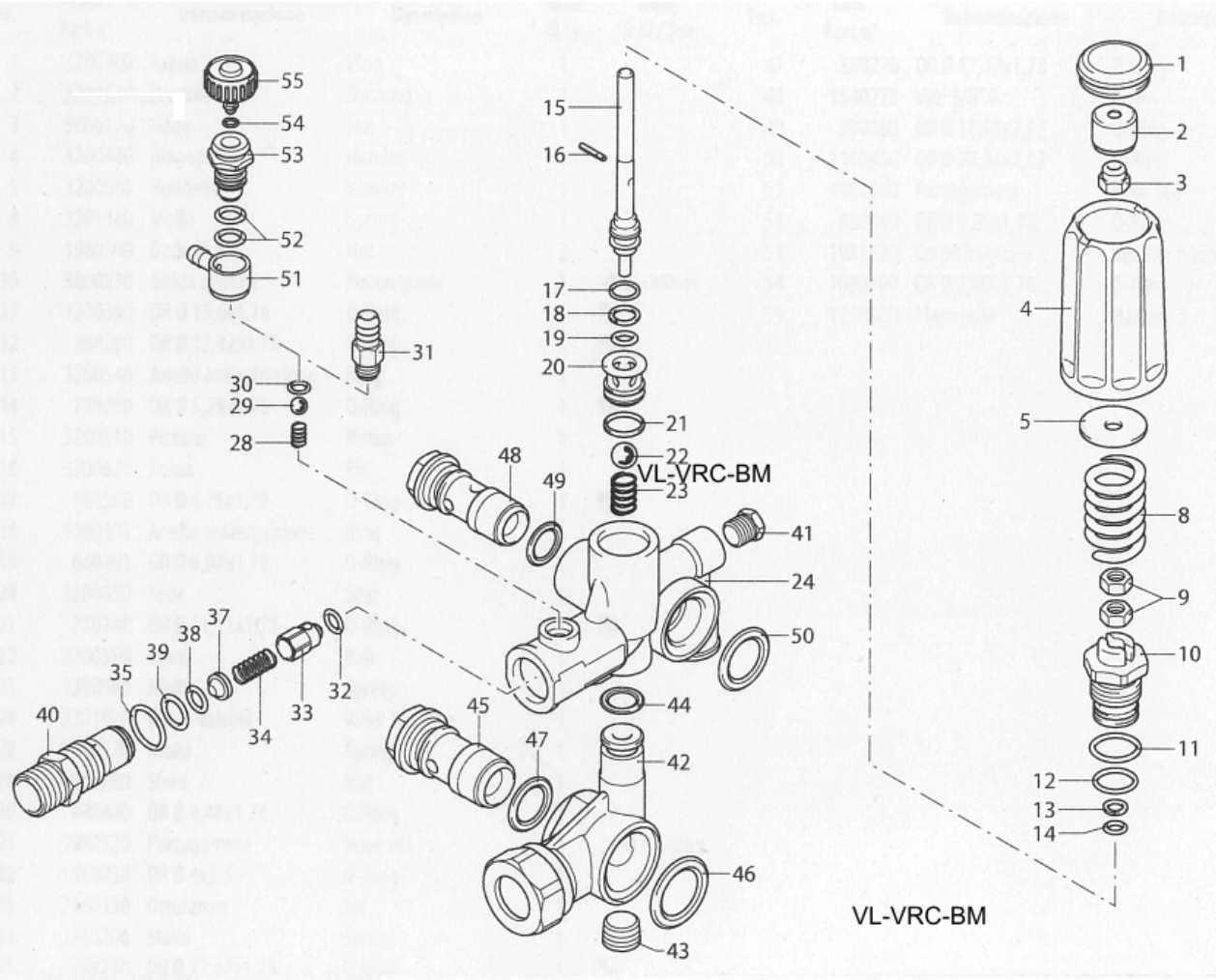
Ref.	K	Part N.	Customer Part N.	Description	Qty	Validity:		Price
						From	To	
0001		PVVR40120		CAP AR RC	6,00			--
0002		GUGO03505		O-RING D. 15.6 X 1.78 NBR 70SH	6,00			--
0003	S	VVAM40002		VALVE UNIT RC	3,00	08/2012		--
0003	S	VVAM40002		VALVE UNIT RC	6,00		07/2012	--
0003	S	VVAM40007		VALVE UNIT RC ASP. BK	3,00	08/2012		--
0004		VTVT01531		SCREW TE 6X 16 UNI 5739	8,00			--
0005		VTRS00503		WASHER D. 6 TE UNI 6798	8,00			--
0006		MFVR40026		HEAD AR RCS OT.	1,00			--
0007		GUGO19245		O-RING D. 17.5 X 2 NBR 70SH	1,00			--
0008		PVVR40121		CAP 1/2 M RC	1,00			--
0009		GUGO09720		O-RING D. 14 X 1.78 NBR 70SH	1,00			--
0010		PVVR40099		CAP 3/8 M HRM	1,00			--
0011	S	PVVR40158		HEAD RING D. 15 RCS	3,00			--
0012	S	GUVR40028		PACKING D. 15 XJS	3,00			--
0013		PVVR40159		INTERMED. RING D. 15 RCS	3,00			--
0014	S	GUVR40041		PACKING D. 15 RCS L.P.	3,00			--
0015	S	GUVR40042		ANTI-EXTR. RING D. 15	3,00			--
0016	S	GUGO08182		O-RING D. 21.91 X 1.78 NBR 70SH	3,00			--
0017		PVVR40160		PACKING RETAIN. D. 15 RCS	3,00			--
0018		MFVR40027		PUMP CRANKCASE AR RCS	1,00			--
0019		CUVR28336		BALL BEARING 6304	1,00			--
0020		VTAE32478		CIRCLIP D. 32 UNI 7437	1,00			--
0021		VTAE06193		CIRCLIP D. 20 UNI 7435	1,00			--
0022		GUGO02561		O-RING D. 47.3 X 2.62 NBR 70SH	1,00			--
0023		PVVR40125		DISC RC	1,00			--
0024		PVVR40126		OIL INDICATOR RC	1,00			--
0025		MFVR40021		CRANKCASE COVER AR RC LT.	1,00			--
0026		VTVT01531		SCREW TE 6X 16 UNI 5739	8,00			--
0027		PVVR19231		OIL CAP XTS	1,00			--
0028		VTDD00483		NUT M 8 ZIN UNI 5588	3,00			--
0029		VTRS19394		WASHER D. 8X13X0.5	3,00			--
0030	S	PIVR19232		PISTON D. 15 XTS	3,00			--
0031		PVVR19233		DISC XTS	3,00			--
0032	S	GUGO09690		OIL SEAL 15X 24X 5 NBR70	3,00			--
0033		GUGO08071		O-RING D. 4.48 X 1.78 NBR 70SH	3,00			--
0034		PVVR40127		PISTON GUIDE RC	3,00			--
0035		BLVR40001		CONNECTING ROD RC	3,00			--
0036		PVVR40128		GUIDEON D. 9X23 RC	3,00			--
0037		GUGO18695		O-RING D. 101.27 X 2.62 NBR 70SH	1,00			--



Ref.	K	Part N.	Customer Part N.	Description	Qty	Validity:		Price
						From	To	
0038		MFVR40022		CRANKCASE COVER AR RC	1,00			--
0039		GUGO01036		O-RING D. 10.82 X 1.78 NBR 70SH	1,00			--
0040		PVVR40129		CAP 3/8 M RC	1,00			--
0041		ALMO40025		SHAFT AR RCS 10LT VRS. N	1,00			--
0042		VTVR41531		KEY 8X 7X35 UNI 6604A	1,00			--
0043		CUVR23636		ROLLER BEARING HK 4516	1,00			--
0044		VTAE06193		CIRCLIP D. 20 UNI 7435	1,00			--
0045	S	GUGO00999		OIL SEAL 25X 52X 7 NBR70	1,00			--

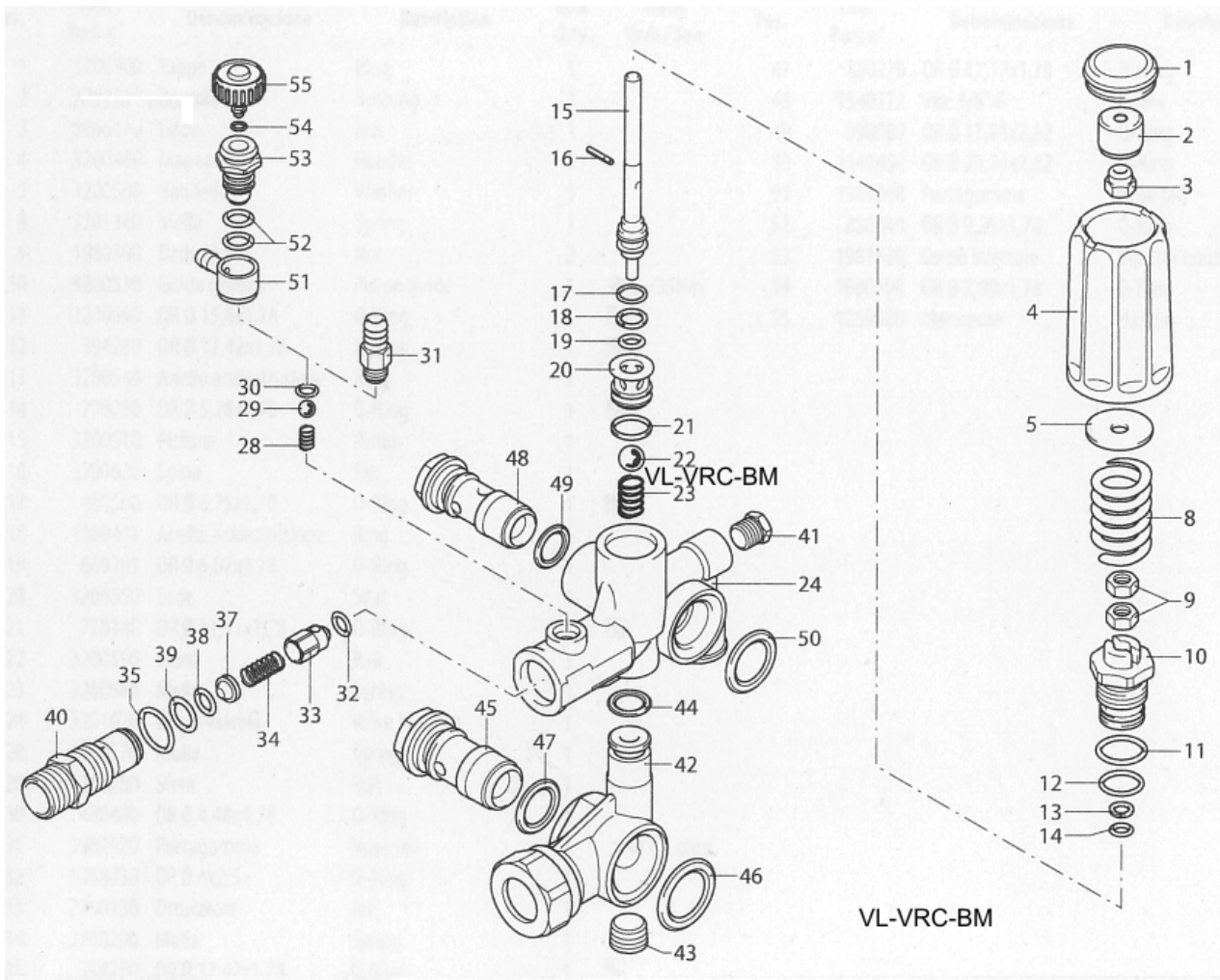


Ref. Part N.	Cust. Part N.	Description	Reference	Price
KTRI40092		KIT P 15-2186 RC	0003	--
KTRI40096		KIT P 15-42468 RC	0032 0045	--
KTRI40139		KIT P 15-42475 D.15 RCS	0030	--
KTRI40140		KIT P 15-42476 D.15 RCS	0012 0014 0015 0016	--
KTRI40141		KIT P 15-2191 D.15 RCS	0011	--
KTRI40207		KIT P 15-41341 RC 3+3 BL./WH.	0003 0003	--

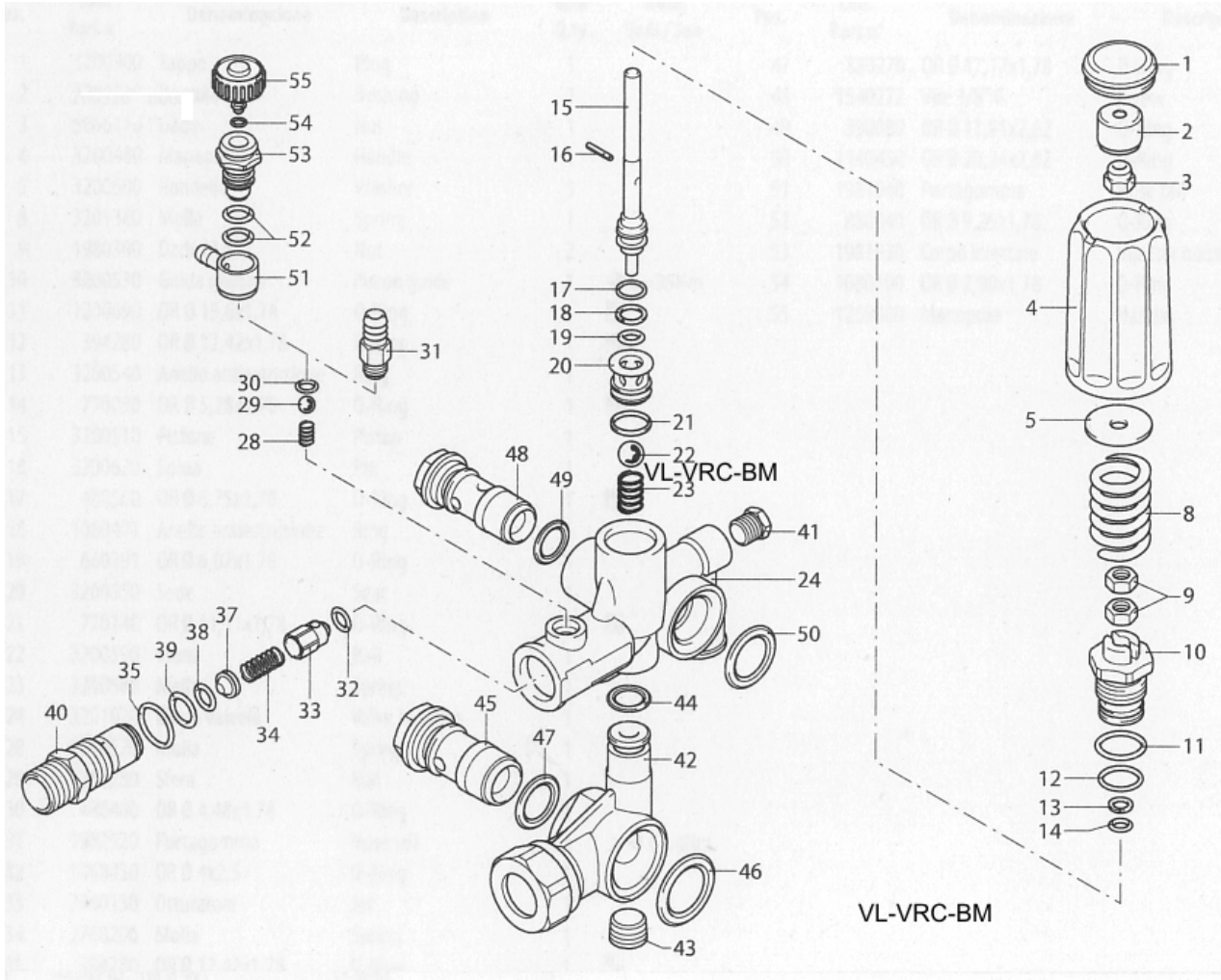


Ref.	K	Part N.	Customer Part N.	Description	Qty	Validity: From To	Price
0001		PVVR40241		CAP VRC-BM	1,00		--
0002		PVVR40242		BUSHING VRC-BM	1,00		--
0003		PVVR40243		NUT VRC-BM	1,00		--
0004		PVVR40244		KNOB VRC-BM	1,00		--
0005		VTRS01580		WASHER D. 6X24	1,00		--
0008		PVVR40245		SPRING VRC-BM	1,00		--
0009		VTDD00482		NUT M 6 ZIN UNI 5588	2,00		--
0010		PVVR40246		PISTON GUIDE VRC-BM	1,00		--
0011	S	GUGO03505		O-RING D. 15.6 X 1.78 NBR 70SH	1,00		--
0012	S	GUGO11652		O-RING D. 12.42 X 1.78 NBR 70SH	1,00		--
0013	S	GUVR40055		ANTI-EXTR.RING D. 8,6	1,00		--
0014	S	GUGO10464		O-RING D. 5.28 X 1.78 NBR 70SH	1,00		--
0015		PVVR40247		PISTON VRC-BM	1,00		--
0016		VTVR26394		ELASTIC PLUG D. 2X12 UNI 6873	1,00		--
0017	S	GUGO03500		O-RING D. 6.75 X 1.78 NBR 70SH	1,00		--
0018	S	GUVR40026		ANTI-EXTR.RING D. 8	1,00		--
0019	S	GUGO12489		O-RING D. 6.07 X 1.78 NBR 70SH	1,00		--
0020		PVVR40248		SEAT VRC-BM	1,00		--
0021	S	GUGO19194		O-RING D. 11.11 X 1.78 NBR 70SH	1,00		--
0022		SFVR00002		BALL 11/32"	1,00		--
0023		PVVR40249		SPRING VRC-BM	1,00		--
0024		PVVR40250		VALVE BODY VRC-BM	1,00		--
0028		MLML40008		SPRING D. 4	1,00		--
0029		SFVR04274		BALL D. 7/32	1,00		--
0030	S	GUGO08071		O-RING D. 4.48 X 1.78 NBR 70SH	1,00		--
0031		PVVR40073		VALVE SEAT 1/8M +PG. D.8 AR	1,00		--
0032		GUGO12494		O-RING D. 4 X 2.5 -NBR 70SH	1,00		--
0033		PVVR40251		COUPLING VRC-BM	1,00		--
0034		PVVR40252		SPRING VRC-BM	1,00		--
0035	S	GUGO11652		O-RING D. 12.42 X 1.78 NBR 70SH	1,00		--
0037		PVVR40253		INSERT INIETT. VRC-BM	1,00		--
0038	S	GUGO41692		O-RING D. 9 X 1 NBR 70SH	1,00		--
0039	S	GUGO63495		CARRYNG BAG	1,00		--
0040		PVVR40254		INJECTOR DETERG. VRC-BM	1,00		--
0041		RCDS19214		CAP 1/8 M	1,00		--
0042		PVVR40255		INJECTOR DETERG. VRC-BM	1,00		--
0043		PVVR40256		CAP 1/4 VRC-BM	1,00		--
0044	S	GUGO01225		CARRYNG BAG	1,00		--
0045		RCDS40070		SCREW G 1/2 M.MATIC 4/B	1,00		--





Ref.	K	Part N.	Customer Part N.	Description	Qty	Validity:		Price
						From	To	
0046	S	GUGO76542		O-RING D. 23.47 X 2.62 NBR 70SH	1,00			--
0047	S	GUGO01058		O-RING D. 17.17 X 1.78 NBR 70SH	1,00			--
0048		RCDS40068		SCREW G 3/8 M.MATIC 4/B OT.	1,00			--
0049	S	GUGO01047		O-RING D. 11.91 X 2.62 NBR 70SH	1,00			--
0050	S	GUGO19395		O-RING D. 20.24 X 2.62 NBR 70SH	1,00			--
0051		PVVR40257		HOSE FITTING VRC-BM	1,00			--
0052	S	GUGO03496		O-RING D. 9.25 X 1.78 NBR 70SH	2,00			--
0053		PVVR40258		INJECTOR UNIT VRC-BM	1,00			--
0054	S	GUGO19189		O-RING D. 2.90 X 1.78 NBR 70SH	1,00			--
0055		PVVR40259		KNOB VRC-BM	1,00			--



Ref. Part N.	Cust. Part N.	Description	Reference	Price
K F	KTRI40185	KIT P 15-42584 O-RING VRC-BM	0011 0012 0013 0014 0017 0018 0019 0021 0030 0035 0038 0044 0046 0047	
			0050 0052 0054 0039 0049	--