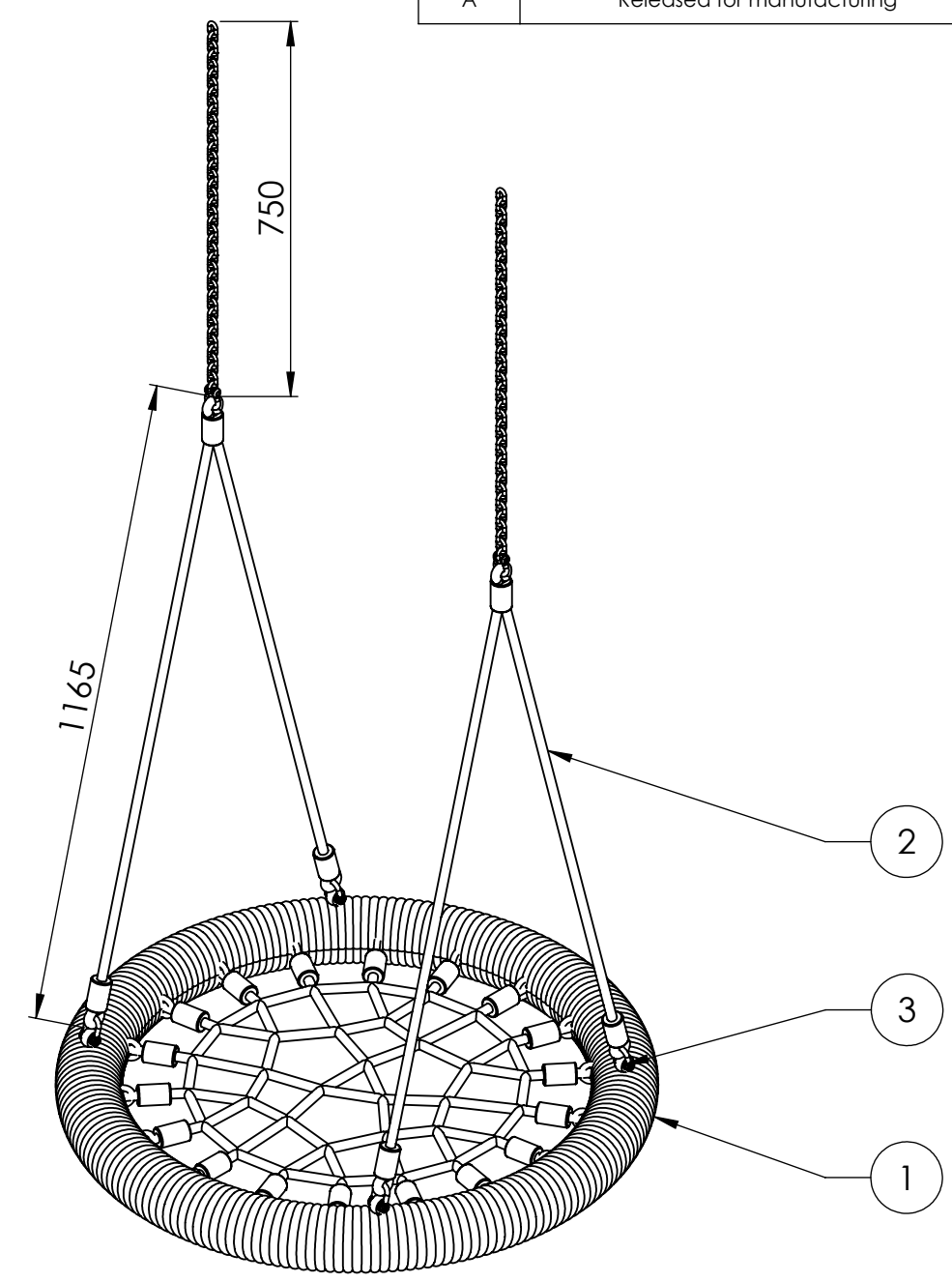
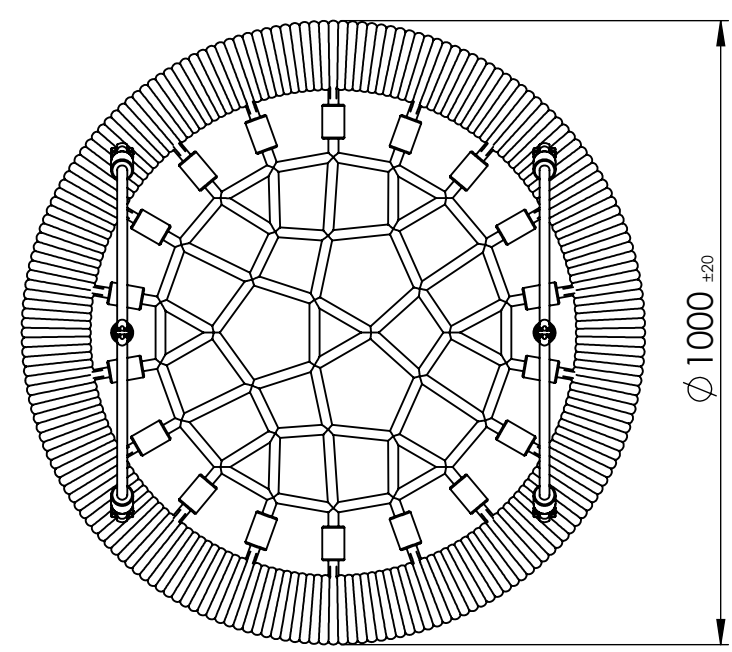
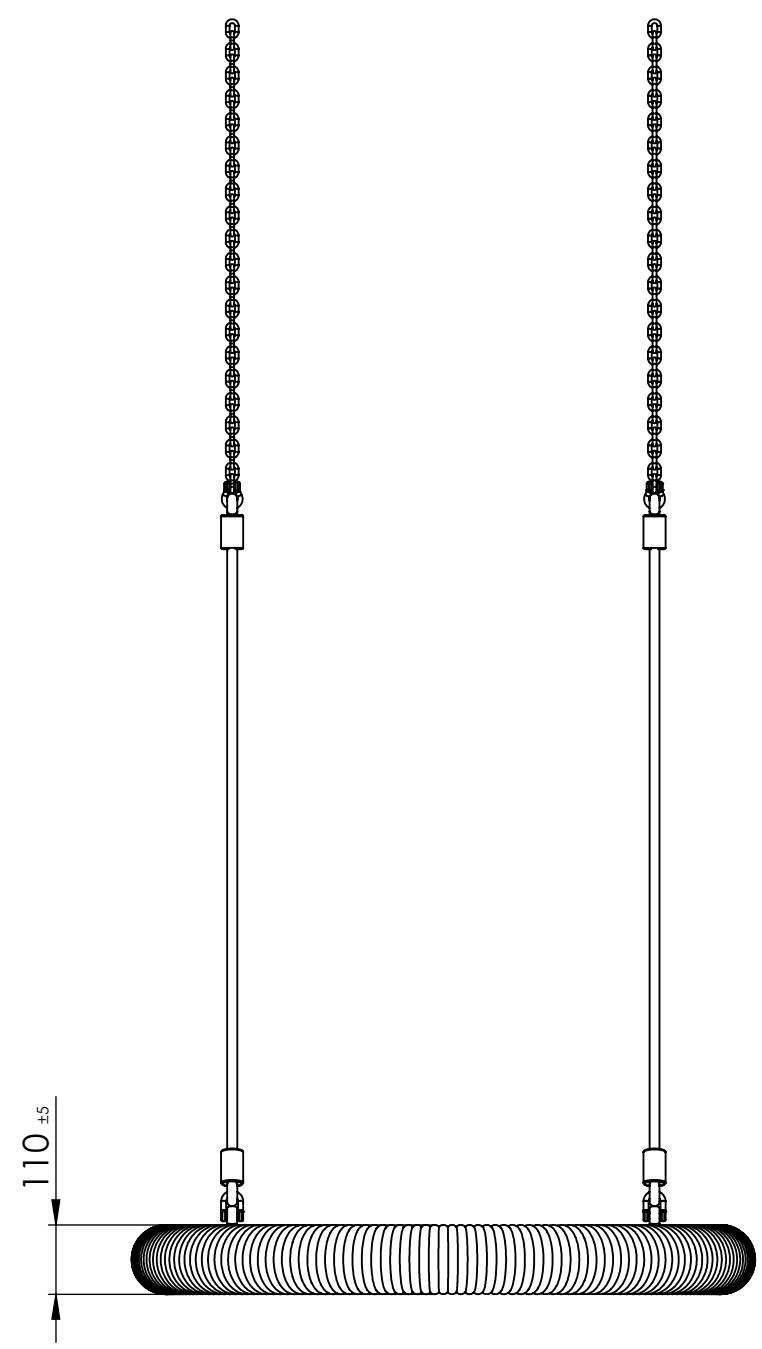


REVISIONS LIST		
Revision	Description	Date
A	Released for manufacturing	2022-03-15



No.	Description	Article No.	Q'ty	Material	Remarks	Rev.No.	Rev.Date
1	Complete Seat Nest Swing 'Smart Line' 1000 DPS	10.00562	1	---	---	A	2022-03-15
2	Rope-chain complete DPS suspension	10.00518	2	---	---	A	2022-02-22
3	Sleeve 15mm black	20.00022	4	PA6 + MoS2	---	A	2022-02-22

This drawing is the property of KBT Polska and may not be duplicated, transmitted or copied to a third party without prior written authorization.

Description:  
**Nest Swing 'Smart Line' 1000 DPS Rope Suspended**

Art. no.:  
**194.001.001.001**  
Revision:  
**A**  
Rev. date:  
2022-03-15

**KBT Polska Sp. z o.o.**  
ul. Marii Konopnickiej 6  
00-491 Warszawa  
tel: +48 22 339 07 46  
fax: +48 22 339 07 47  
www.kbtplay.com

Designed:	KK	Date	2022-03-14
Revised:	KK	Date	2022-03-15
Approved:			
Material:	---	Weight:	--- [kg]

A3  
Sheet: 1/1  
Scale: 1:12  
General tolerances:  
**ISO 2768-mK**