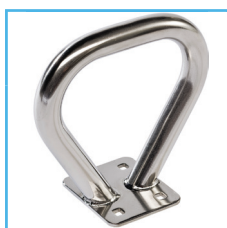


MULTIFUNCTIONAL METAL HANDGRIP



EN MULTIFUNCTIONAL HANDGRIP

• stainless steel

NL multifunctionele handgreep

• roestvrij staal

FR poignée multifonctionelle

• inox

DE Multifunktionseller Handgriff

• Edelstahl

ES maniglie multifunzionali

• acero inoxidable

PL uchwyt wielofunkcyjny

• stal nierdzewna

PACKAGING

| | | | | |
|--------------|---------|----|-------------------|--------|
| 262.010.010. | 0,86 kg | 10 | 40 x 35 x 16 cm | 9 kg |
| 262.010.010. | 40 | | 124 x 80 x 107 cm | 380 kg |

MANUAL : M26X
SALESSTATUS : STD
PRODUCT DIMENSIONS :

MATERIAL :

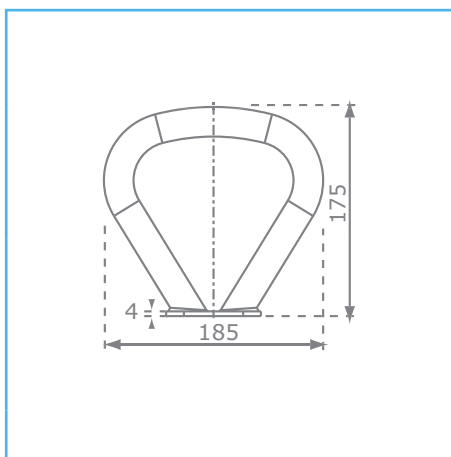
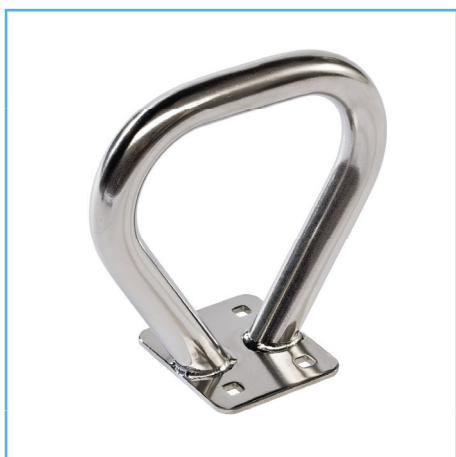


KBT nv
Hemelrijken 8
2890 Sint-Amands
Belgium


KBT Polska sp. z o.o.
ul. M. Konopnickiej 6
00-491 Warszawa
Poland

MULTIFUNCTIONAL METAL HANDGRIP

DRAWINGS:



VARIATIONS :

 262.010.010.001 multifunctional metal handgrip - stainless steel