

PDS_573.004

SAND CRANE WITH FRONT MOUNTING ON ARM SET



MANUAL : M573.004
SALESSTATUS : STD
PRODUCT DIMENSIONS : 2,07 x 0,36 x 0,07 m

MATERIAL : stainless steel, HDPE, rubber

EN sand crane with front mounting on arm - set

- stainless steel
- surface finishing: glass blasting
- brake system included
- vandalism resistant

NL Zandkraan met frontmontage op arm - set

- roestvrij staal
- oppervlaktaefwerking: glasstralen
- remsysteem inbegrepen
- vandalismebestendig

FR grue à sable avec montage frontal sur le bras - ensemble

- inox
- finition de surface : sablage de verre
- système de freinage inclus
- résistant au vandalisme

DE Sandkran mit Montage vorne am Arm - Satz

- Edelstahl
- Oberflächenbehandlung: Gasperlstrahlen
- Einschließlich Bremssystem
- vandalismussicher

ES grúa de arena con montaje frontal en el brazo - set

- acero inoxidable
- acabado superficial: chorreado de vidrio
- sistema de frenos incluido
- antivandálico

PL wyciągarka z mocowaniem z przodu na ramieniu - zestaw

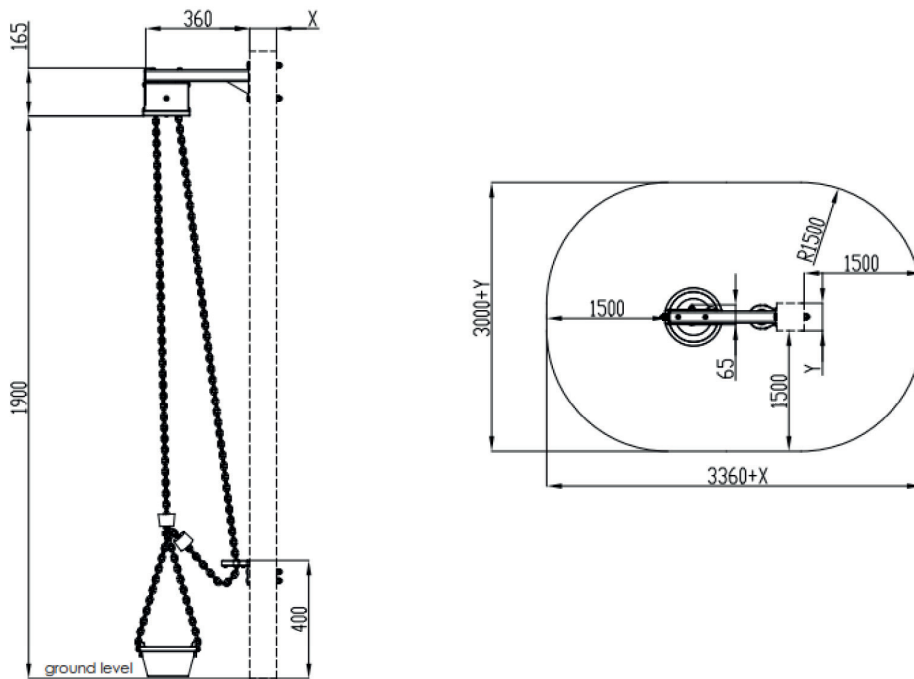
- ze stali nierdzewnej
- wykończenie powierzchni: szkielkowanie
- wbudowany hamulec
- odporne na zniszczenia

PACKAGING

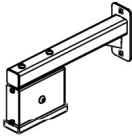




CODE	PACKAGING WAY	PACKAGING DIM. (MM)	PACKAGING WEIGHT (KG)
sand crane with top mounting			
573.001.006.001	1	190 x 190 x 150	1,3 kg
front mounting on arm			
573.080.104.001	1	410 x 180 x 180	1,7 kg
bucket with stainless steel chain			
573.101.006.001	1	210 x 220 x 190	1,5 kg
chain guide			
573.080.306.001	1	200 x 100 x 80	0,4 kg
rubber damper			
573.080.408.001	1	70 x 50	0,1 kg
stainless steel chain 6mm			
573.080.601.001	1	250 x 125 x 90	3,3 kg

SAND CRANE WITH FRONT MOUNTING ON ARM SET

DRAWINGS :



INCLUDED ACCESSORIES :

sand crane with front mounting on arm 573.004.006.001	bucket with stainless steel chain 573.101.006.001	chain guide 573.080.306.001	rubber damper 573.080.408.001	stainless steel chain 6mm 573.080.601.001
			 x2	

VARIATIONS :

 573.004.001.001 front mounting on arm bracket - for sand crane + bucket - stainless steel