

PDS_573.002

SAND CRANE WITH SIDE MOUNTING SET



MANUAL	: M573.002
SALESSTATUS	: STD
PRODUCT DIMENSIONS	: 2,03 x 0,23 x 0,07 m
MATERIAL	: stainless steel, HDPE, rubber

EN sand crane with side mounting - set

- stainless steel
- surface finishing: glass blasting
- brake system included
- vandalism resistant

NL Zandkraan met zijmontage - set

- roestvrij staal
- oppervlaktaefwerking: glasstralen
- remsysteem inbegrepen
- vandalismebestendig

FR grue à sable avec montage latéral - ensemble

- inox
- finition de surface : sablage de verre
- système de freinage inclus
- résistant au vandalisme

DE Sandkran mit Montage an der Seite - Satz

- Edelstahl
- Oberflächenbehandlung: Glasperlstrahlen
- Einschließlich Bremsystem
- vandalismussicher

ES grúa de arena con montaje lateral - set

- acero inoxidable
- acabado superficial: chorreado de vidrio
- sistema de frenos incluido
- antivandálico

PL wyciągarka z mocowaniem bocznym - zestaw

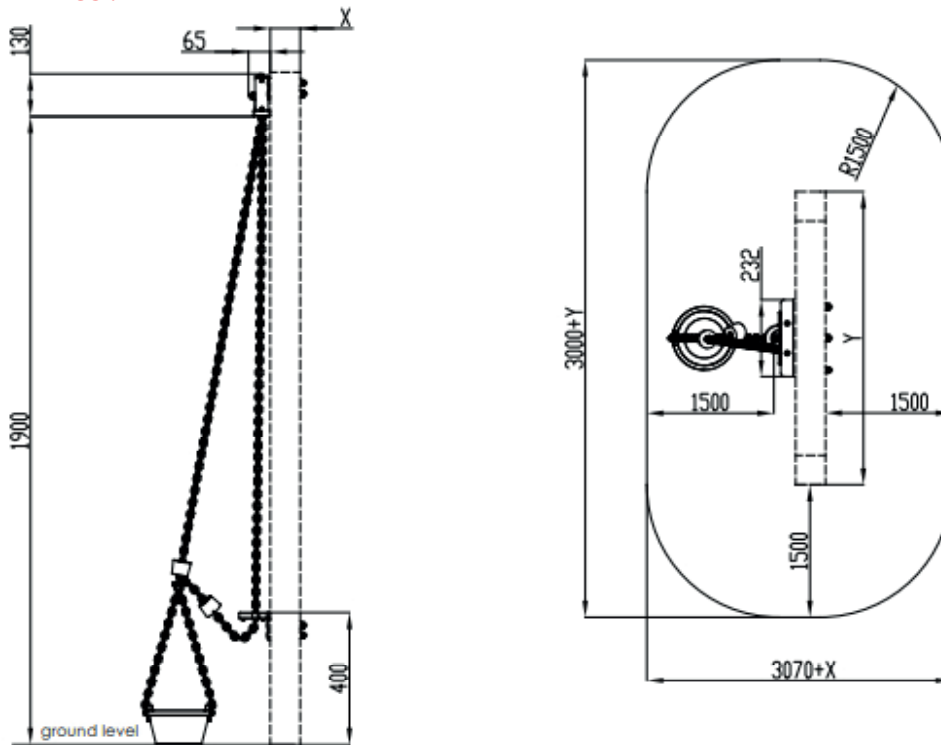
- ze stali nierdzewnej
- wykończenie powierzchni: szkiełkowanie
- wbudowany hamulec
- odporne na zniszczenia

PACKAGING

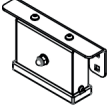




CODE	PACKAGING WAY	PACKAGING DIM. (MM)	PACKAGING WEIGHT (KG)
sand crane with top mounting			
573.001.006.001	1	190 x 190 x 150	1,3 kg
side mounting			
573.080.102.001	1	250 x 125 x 90	0,7 kg
bucket with stainless steel chain			
573.101.006.001	1	210 x 220 x 190	1,5 kg
chain guide			
573.080.306.001	1	200 x 100 x 80	0,4 kg
rubber damper			
573.080.408.001	1	70 x 50	0,1 kg
stainless steel chain 6mm			
573.080.601.001	1	250 x 125 x 90	3,3 kg

SAND CRANE WITH SIDE MOUNTING SET

DRAWINGS :



INCLUDED ACCESSORIES :

<i>sand crane with side mounting</i> 573.002.006.001	<i>bucket with stainless steel chain</i> 573.101.006.001	<i>chain guide</i> 573.080.306.001	<i>rubber damper</i> 573.080.408.001	<i>stainless steel chain 6mm</i> 573.080.601.001
			 x2	

VARIATIONS :

 573.002.001.001 side mounting bracket - for sand crane + bucket - stainless steel