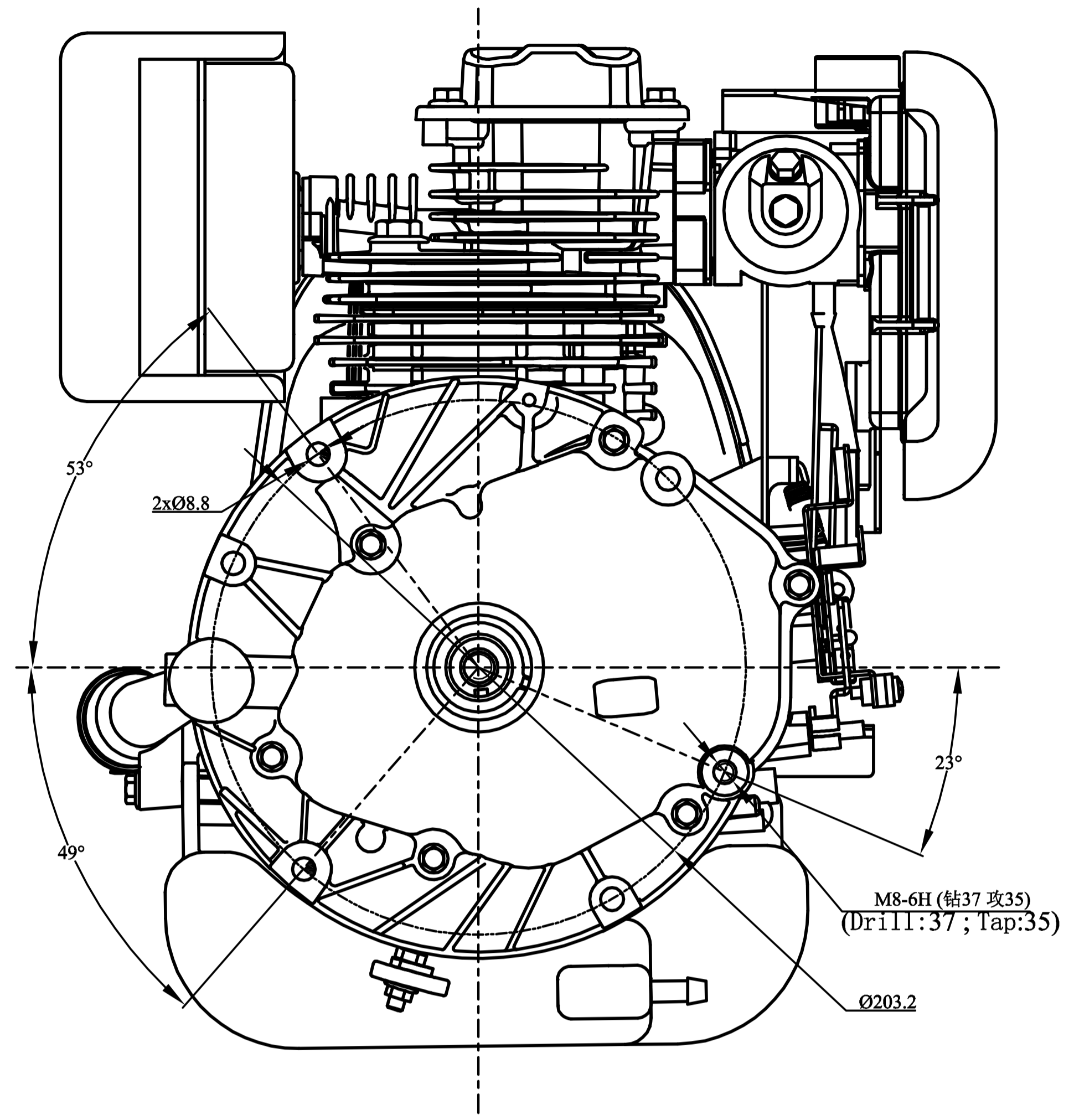


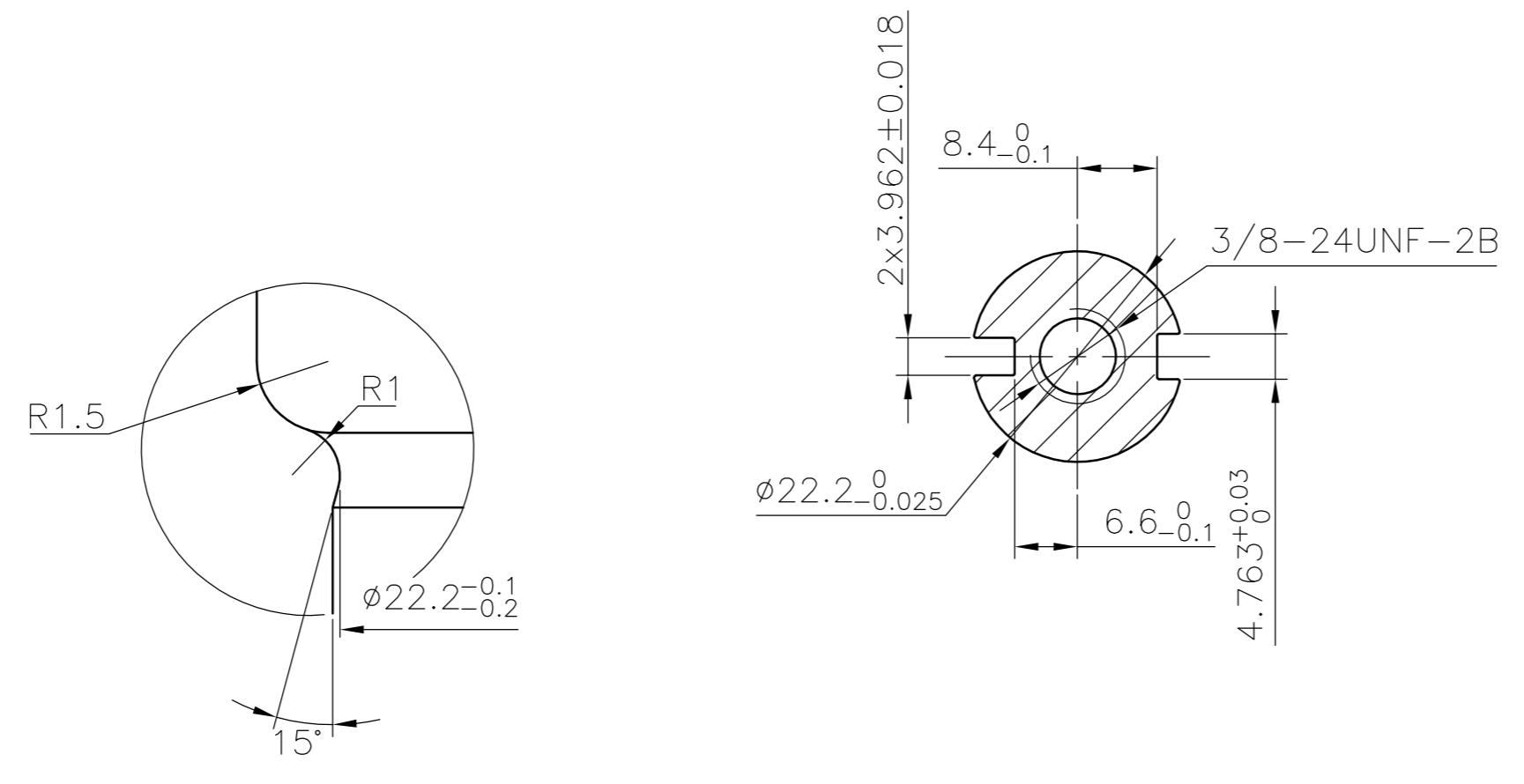
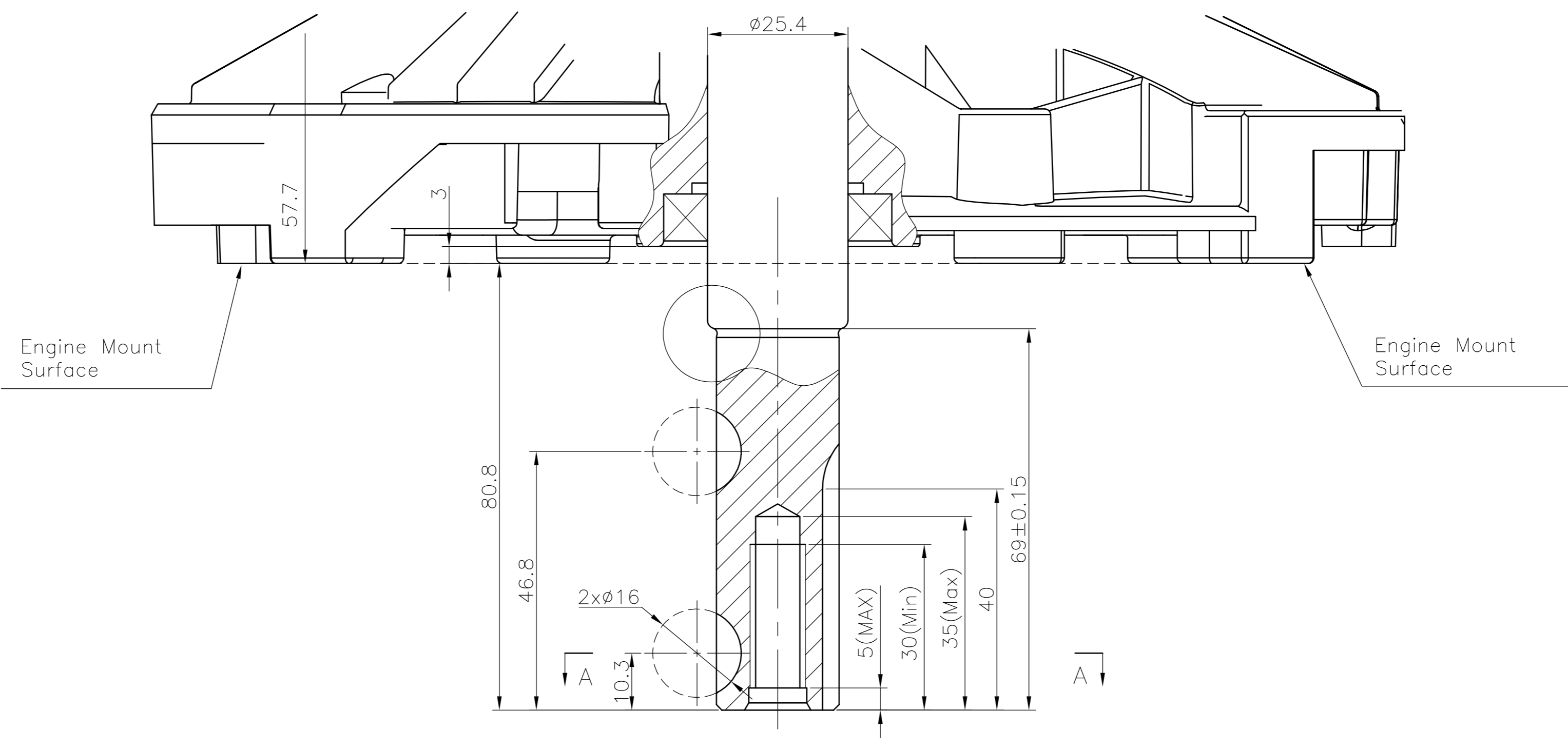
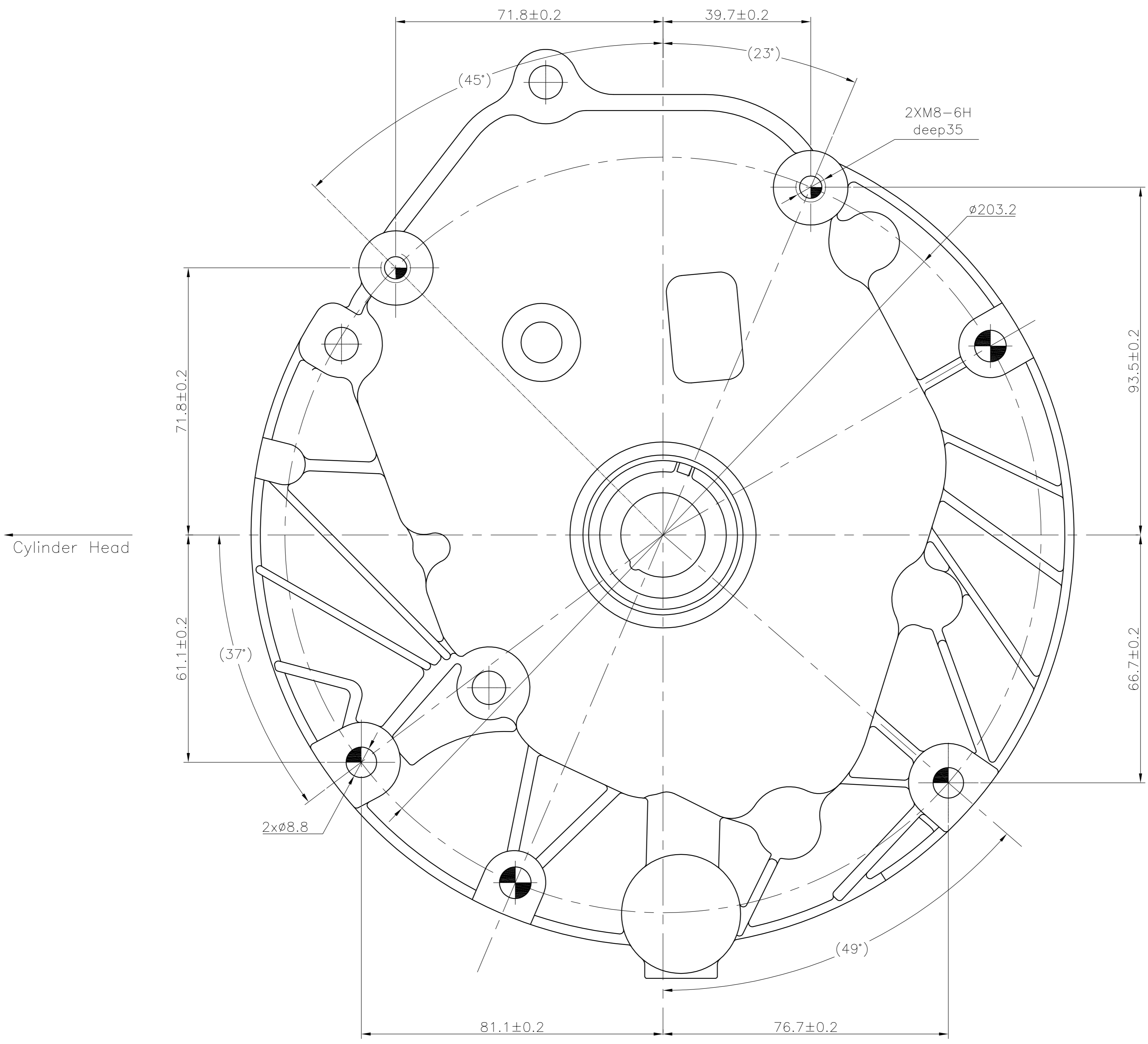
8 ("MINIMUM STROKE TO DISENGAGE BRAKE")

12 ("MAXIMUM STROKE TO DISENGAGE BRAKE")

51 (FW STOP) ("ACTUATION POSITION")



G200VK/1



G200VK/1