

PP 440 HF

Reservdelar

Spare parts

Ersatzteile

Pieces de rechange

Piezas de repuesto

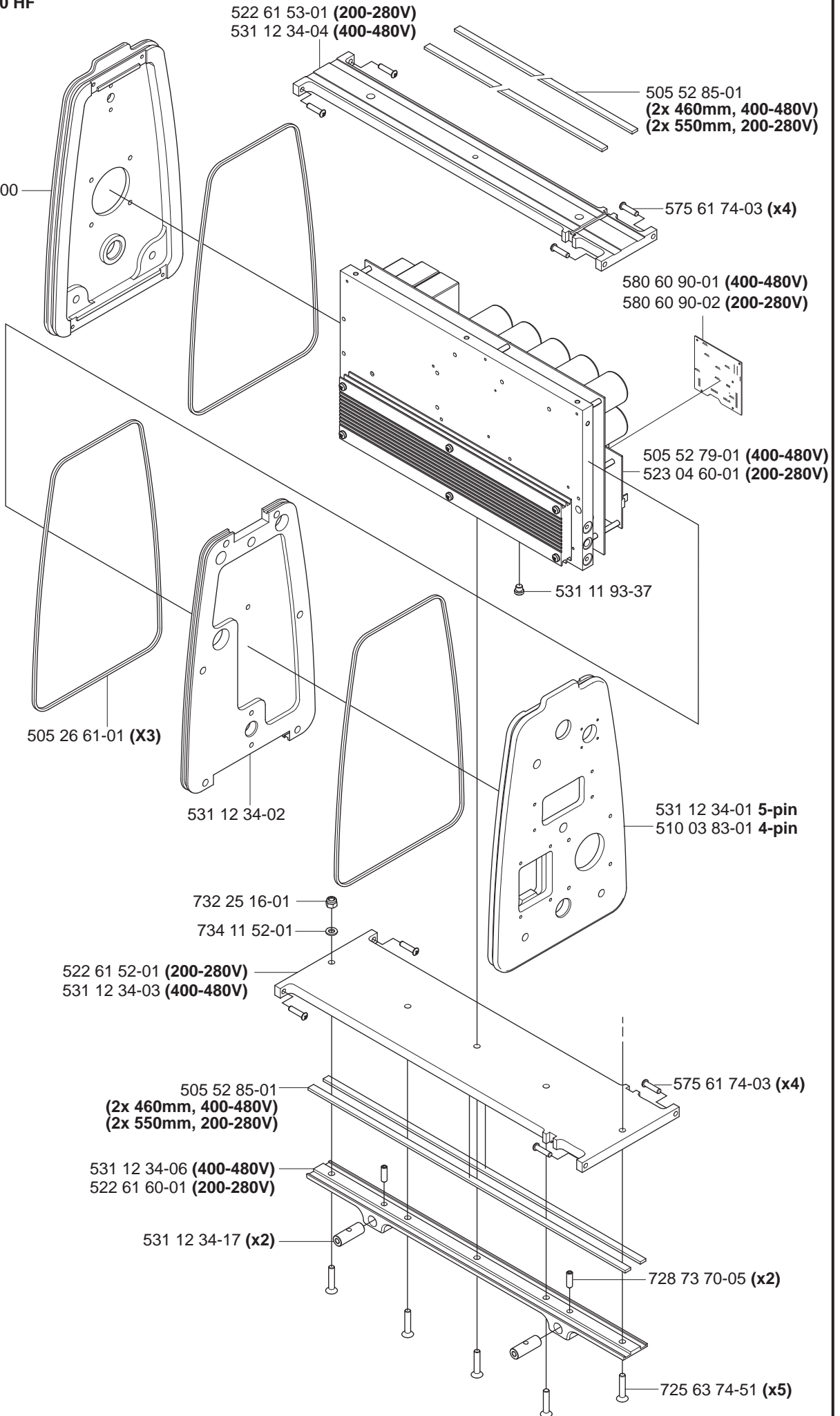
Ricambi

Peças sobresselente

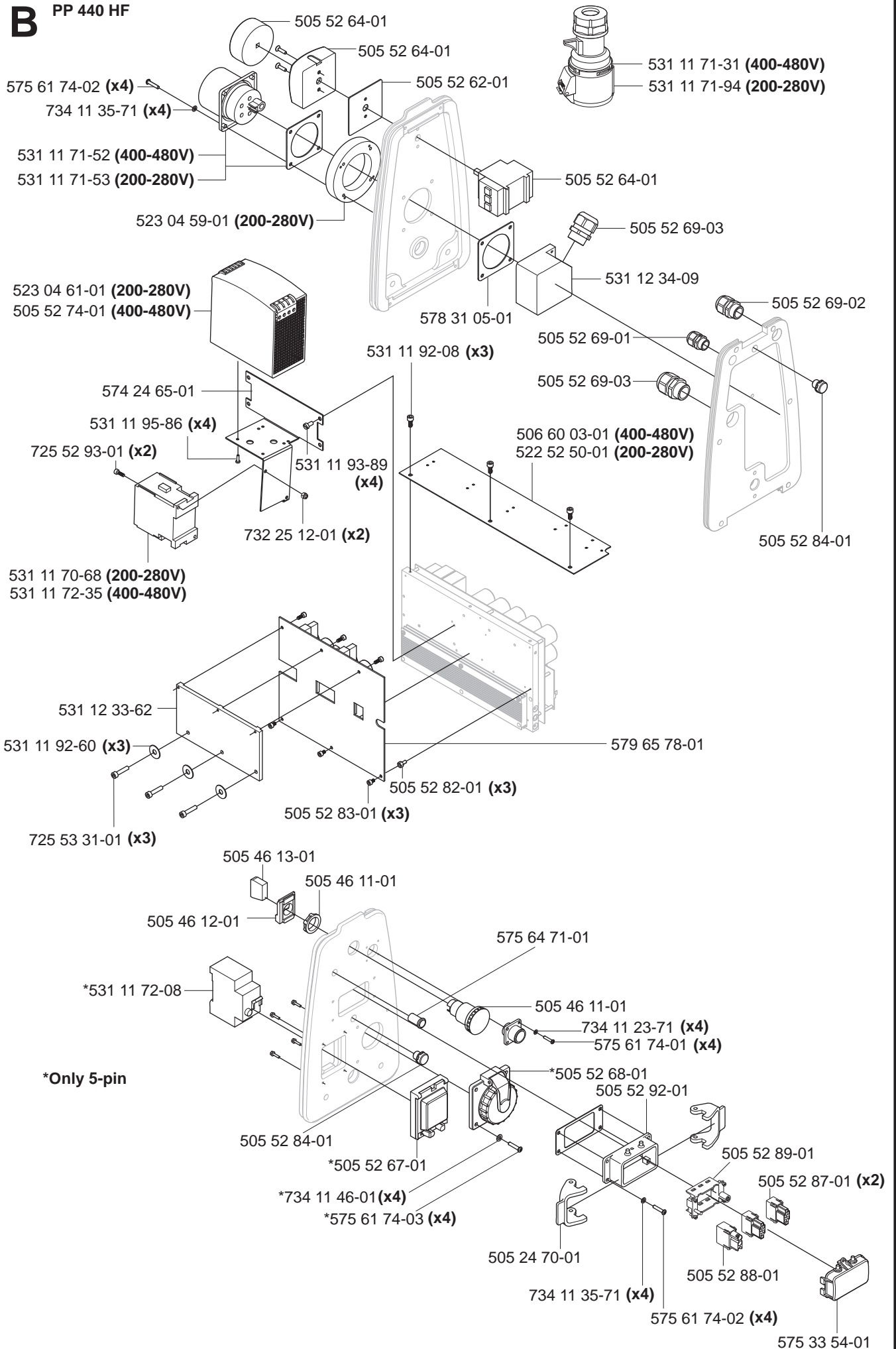
No.	Pos.	Description	No.	Pos.	Description
505 24 70-01	BF	Shackle	531 11 72-08	B	Personal Safety Guard
505 25 71-01	E	Cable	531 11 72-35	B	Contact 400-480V
505 26 61-01	A	O-ring	531 11 73-20	F	Contact pin 2,5mm ²
505 32 70-01	F	Cover	531 11 73-62	F	Contact pin
505 40 74-01	C	Nipple 3/8"	531 11 80-03	C	Quick coupling, female 1800 uv
505 42 42-01	C	Valve Assembled	531 11 80-05	C	Nipple 1812
505 46 11-01	B	Emergency stop	531 11 80-18	C	Ball valve 3/8
505 46 12-01	B	Adapter	531 11 82-19	C	Quick coupling, female 1300 UV
505 46 13-01	B	Contact	531 11 83-54	C	Nipple 18110 with net
505 52 62-01	B	Gasket kit	531 11 90-14	C	Hose clamp 13-20
505 52 64-01	B	Switch	531 11 92-08	B	Screw
505 52 67-01	B	Protctive shutter	531 11 92-60	B	Washer
505 52 68-01	B	Socket	531 11 93-37	A	Plug
505 52 69-01	B	Cable grommet M16	531 11 93-89	B	Screw MLC6S 5x10
505 52 69-02	B	Cable grommet M20	531 11 95-86	B	Screw MRX M3x5
505 52 69-03	B	Cable grommet M25	531 12 33-61	D	Bumper
505 52 72-01	D	Handle	531 12 33-62	B	Attachment plate
505 52 73-01	C	Water valve	531 12 34-00	A	End cover inlet side
505 52 74-01	B	Transformer 400-480V	531 12 34-01	A	End cover outlet side 5-pin
505 52 77-01	E	Cable kit	531 12 34-02	A	Partition
505 52 78-01	E	Cable kit	531 12 34-03	A	Base plate
505 52 79-01	A	Printed circuit assembly	531 12 34-04	A	Upper support
505 52 82-01	B	Distance	531 12 34-05	D	Cover strip upper
505 52 83-01	B	Screw MC6S 4x5	531 12 34-06	A	Cover strip lower
505 52 84-01	B	Ventilating valve	531 12 34-09	B	Conduit entry
505 52 85-01	A	Sealing strip	531 12 34-10	C	Water inlet connection
505 52 87-01	BF	Consol 6-pole	531 12 34-11	C	Distance coupling
505 52 88-01	BF	Consol 3-pole	531 12 34-12	C	Clamping washer
505 52 89-01	B	Frame	531 12 34-13	C	Water connection
505 52 92-01	B	Contact housing	531 12 34-15	D	Box side
505 56 87-01	C	Water connection	531 12 34-16	D	Foot
506 29 76-61	H	Harness	531 12 34-17	A	Locking sleeve
506 60 03-01	B	Attachment plate	574 18 48-01	C	Bracket
506 74 83-01	C	Valve Assembled	574 24 65-01	B	Angle bracket
510 03 83-01	A	End cover outlet side 5-pin 4-pin	575 22 93-01	G	Contact, USB
510 10 85-01	G	Cover plate	575 24 22-01	G	Lid
510 10 91-01	G	Battery	575 33 54-01	B	Cover
510 28 03-01	H	Battery charger	575 61 74-01	B	Screw
510 28 07-01	H	Cable, EUR	575 61 74-02	B	Screw
510 28 07-02	H	Cable, US	575 61 74-03	ABD	Screw
510 28 07-04	H	Cable, Australia	575 64 71-01	B	Lamp
510 28 50-04	H	Battery charger assy	575 95 08-01	F	Cable grommet
522 52 50-01	B	Plate	576 25 34-01	G	Handle assy
522 61 52-01	A	Base plate	576 25 93-02	G	Rcc unit complete
522 61 53-01	A	Upper support	576 25 94-01	G	Knob
522 61 59-01	D	Gable top	576 26 16-01	G	O-ring
522 61 60-01	A	Cover strip lower	576 26 23-02	G	Circuit board
522 61 61-01	D	Box side	576 81 51-01	G	Switch
522 93 07-01	F	Module 6-pin	576 87 78-01	G	Contact, CAN
522 93 08-01	F	Contact pin 0,75mm ²	576 88 80-02	G	Sealing strip
522 93 14-01	F	Housing	577 48 02-01	H	CAN cable
522 93 15-01	F	Frame	577 70 91-01	G	Decals
522 93 17-01	F	Contact pin	577 70 93-01	G	Display kit
522 93 18-01	F	Contact pin	577 70 94-01	G	Potentiometer
522 93 20-01	F	Housing	577 70 95-01	G	Potentiometer
522 93 21-01	F	Module 3-pin	577 71 05-01	G	Cover assy
522 93 22-01	F	Contact pin	577 71 10-01	G	Spring pin, kit with washer
522 93 41-01	F	Pliar	577 73 55-01	G	Knob
522 93 43-01	F	Removal tool	577 76 37-01	G	Battery
522 93 44-01	F	Removal tool	578 31 05-01	B	Gasket
523 00 52-01	G	Screw	578 77 61-01	G	Screw
523 04 59-01	B	Adapter	578 77 61-02	G	Screw
523 04 60-01	A	Printed circuit assy 200-280V	579 16 43-01	E	Cable kit
523 04 61-01	B	Transformer 200-280V	579 65 78-01	B	Main board
525 58 22-01	D	Distance	580 60 90-01	A	Printed circuit assy 400-480V
531 11 70-68	B	Contact 200-280V	580 60 90-02	A	Printed circuit assy 200-280V
531 11 71-31	B	Socket	580 63 10-01	F	Cable
531 11 71-52	B	Electric inlet 32A 400V	580 76 33-01	F	Cable holder
531 11 71-53	B	Electric inlet 63A 200-280V	725 52 85-01	C	Screw MC6S 4x6
531 11 71-94	B	Socket	725 52 93-01	B	Screw MC6S 4x16

No.	Pos.	Description	No.	Pos.	Description
725 53 29-01	C	Screw MC6S M5x16			
725 53 31-01	B	Screw MC6S 5x20			
725 53 33-01	C	Screw MC6S 5x25			
725 53 78-01	D	Screw MC6S 6x40			
725 54 63-01	D	Screw MC6S 8x60			
725 54 69-51	D	Screw MC6S 8x90			
725 63 74-51	A	Screw MF6S 6x30 10.9			
725 64 91-01	D	Screw MF6S 10x20			
728 73 70-05	A	Stop screw S6SS 6x20			
732 25 12-01	B	Nut M4 Nylock			
732 25 16-01	A	Nut M6 Nylock			
732 25 18-01	D	Nut M8 Nylock			
734 11 23-71	B	Washer 3.2x6			
734 11 24-01	G	Washer			
734 11 35-71	BC	Washer 4.3x8			
734 11 46-01	BC	Washer 5,3x10x1			
734 11 52-01	AD	Washer 6.4x12			
734 11 63-01	D	Washer 8.4x16			
740 38 27-01	C	Sealing ring 1/4			
740 42 08-00	C	O-ring 10,1x1,6			
740 43 09-00	C	O-ring 11,3x2,4			
740 43 13-00	C	O-ring 15,3x2,4			

A PP 440 HF



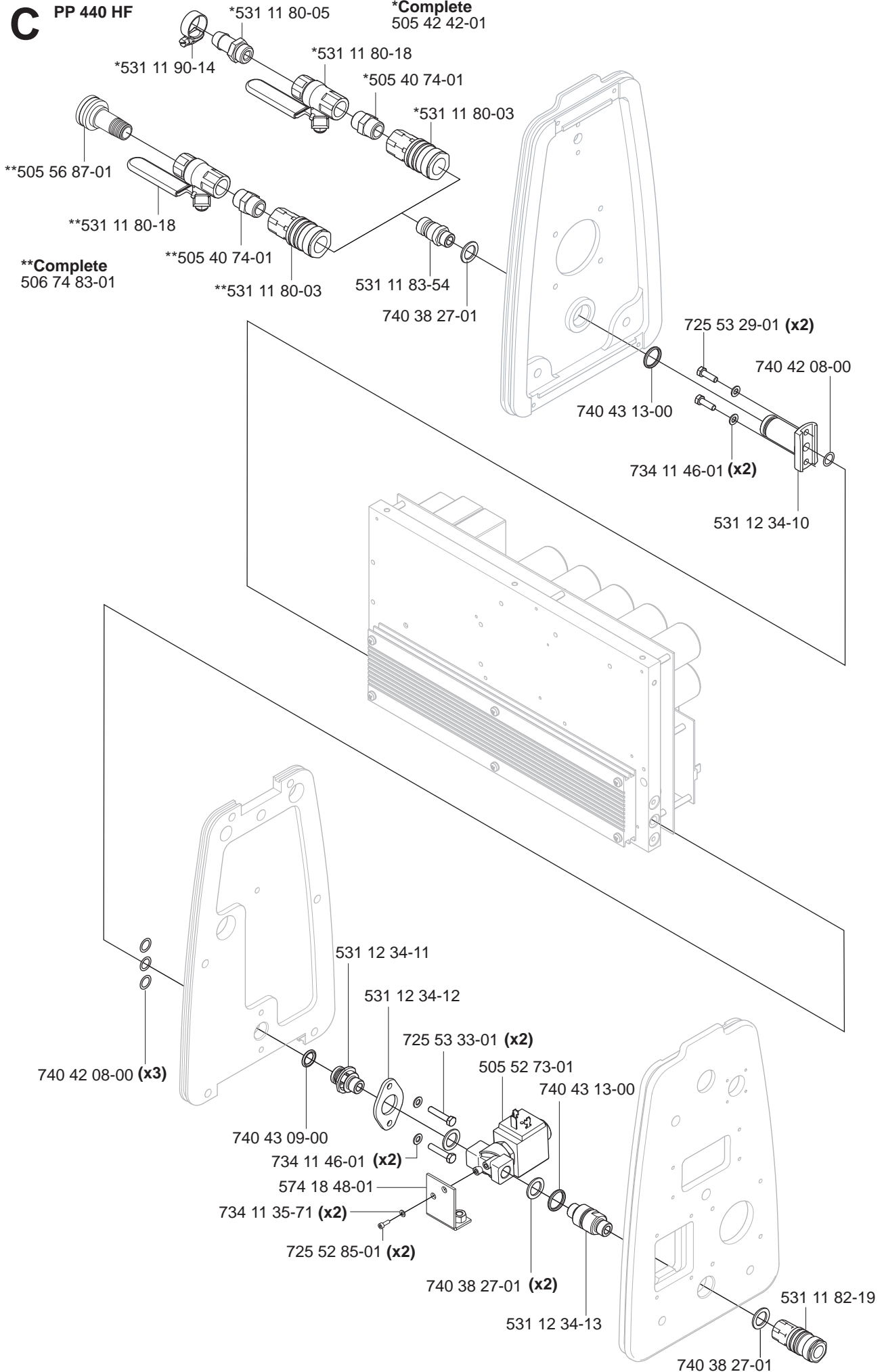
B PP 440 HF



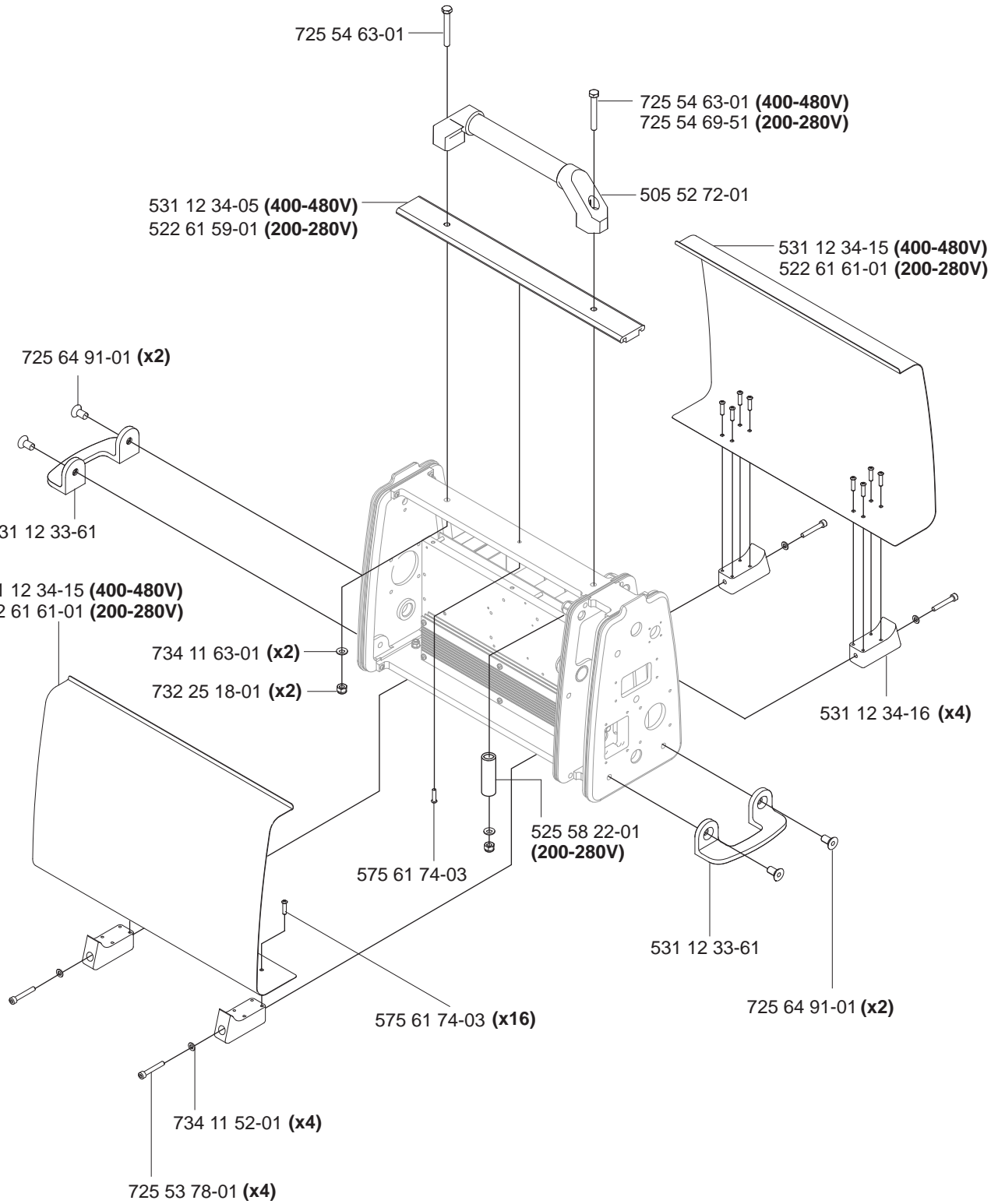
C

PP 440 HF

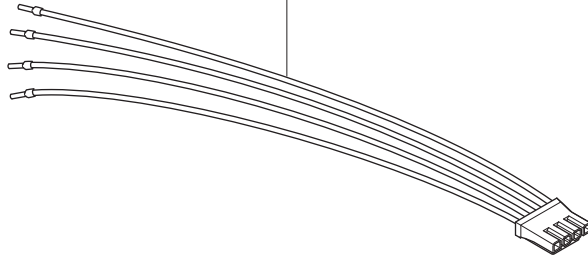
***Complete**
505 42 42-01



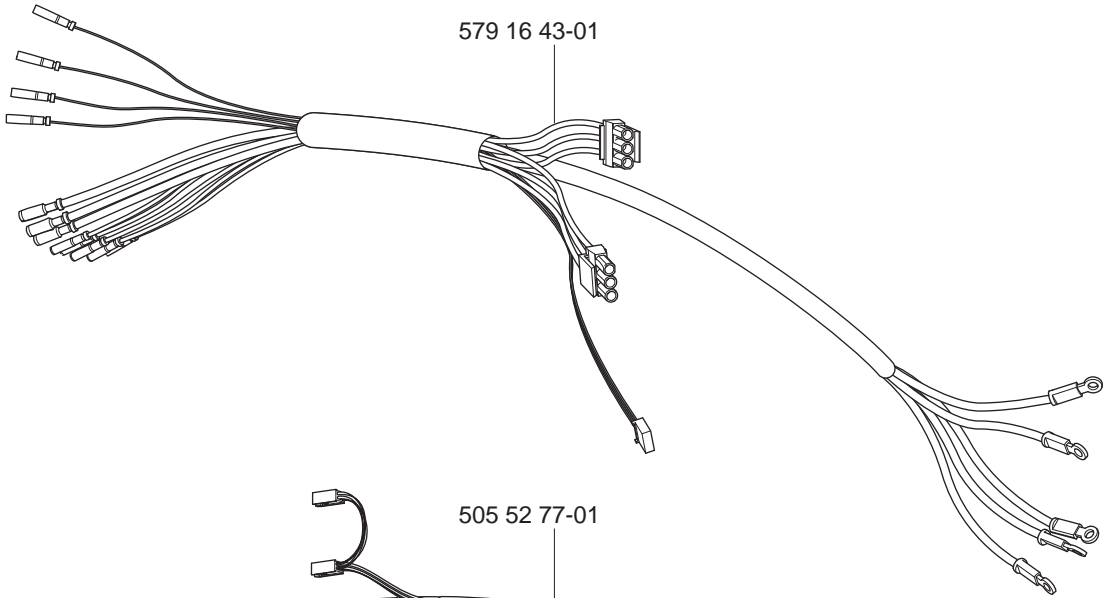
D PP 440 HF



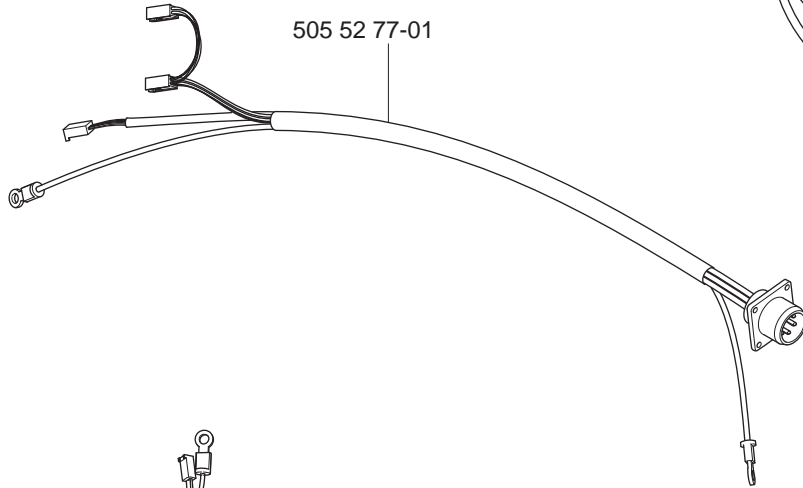
505 25 71-01



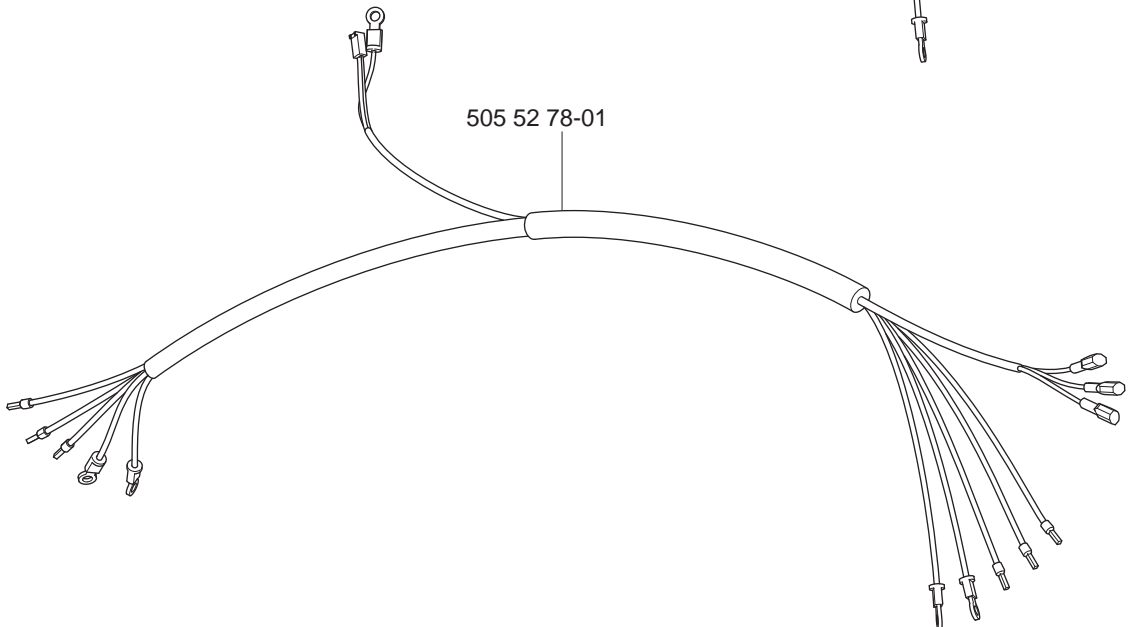
579 16 43-01



505 52 77-01

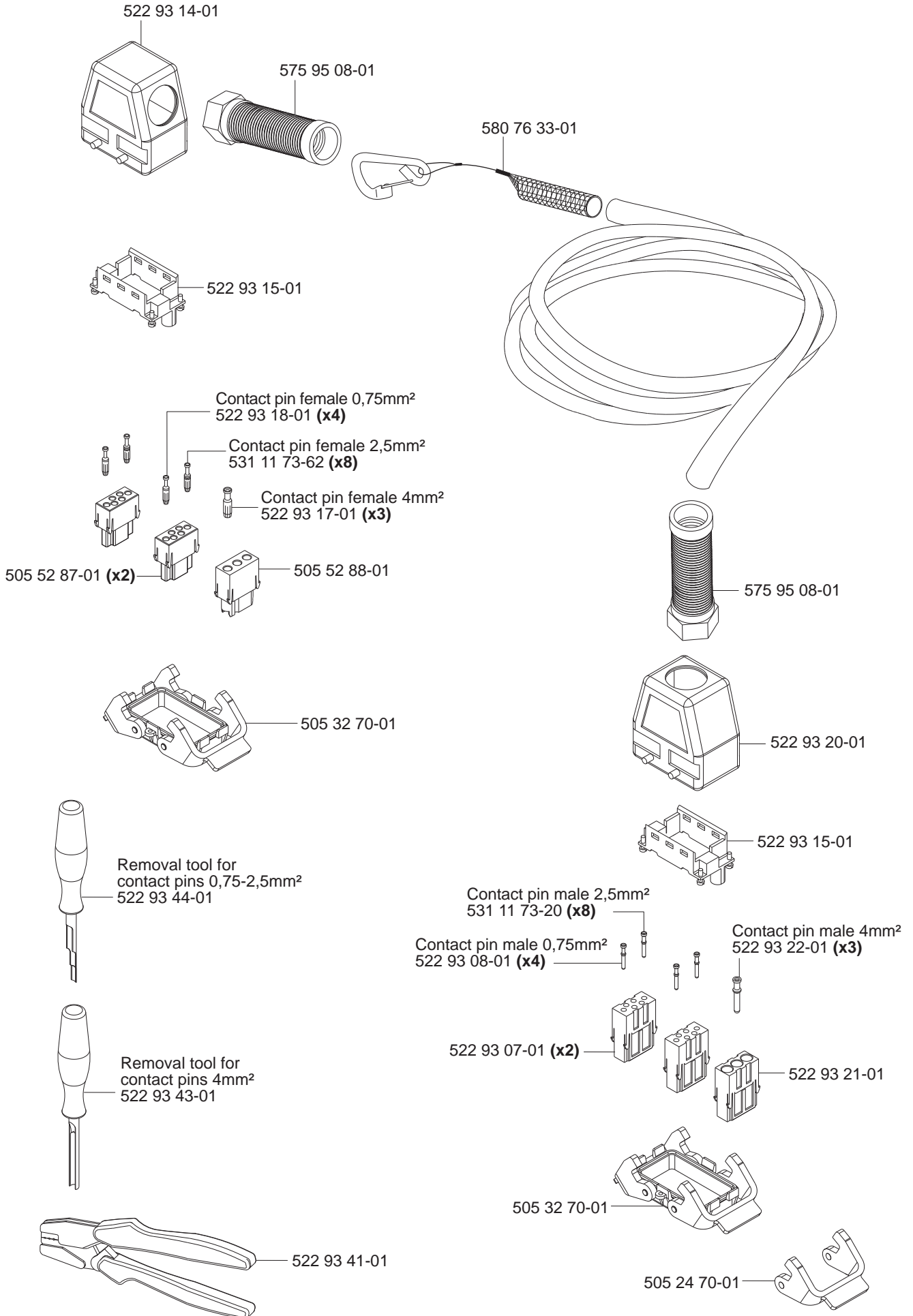


505 52 78-01



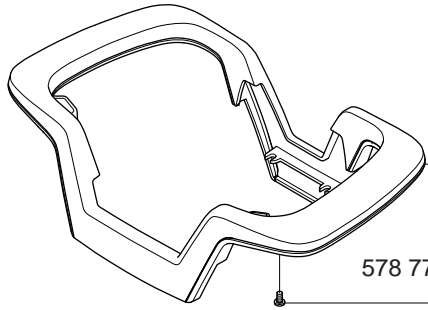
F PP 440 HF

Cable complete 580 63 10-01



G PP 440 HF
RCC-UNIT

576 25 93-02



576 81 51-01

576 25 34-01

578 77 61-01 (x6)

577 71 05-01

577 70 95-01

576 25 94-01 (x2)

577 70 91-01

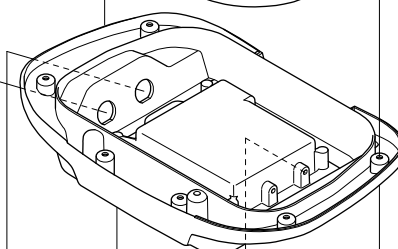
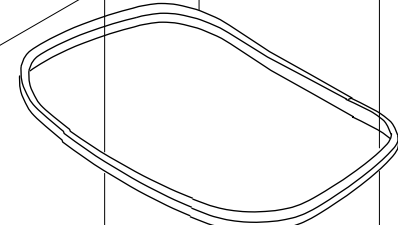
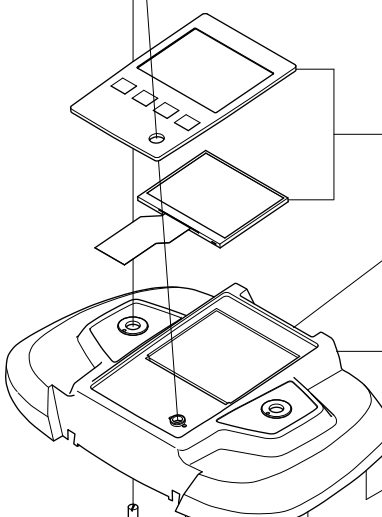
577 70 93-01

578 77 61-02 (x8)

576 26 16-01 (x2)

576 88 80-02

577 73 55-01



577 70 94-01

575 24 22-01 (x2)

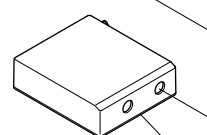
575 22 93-01

734 11 24-01 (x2)

577 71 10-01 (x2)

576 26 23-02

576 87 78-01

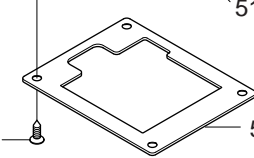


510 10 91-01

577 76 37-01

578 77 61-01 (x4)

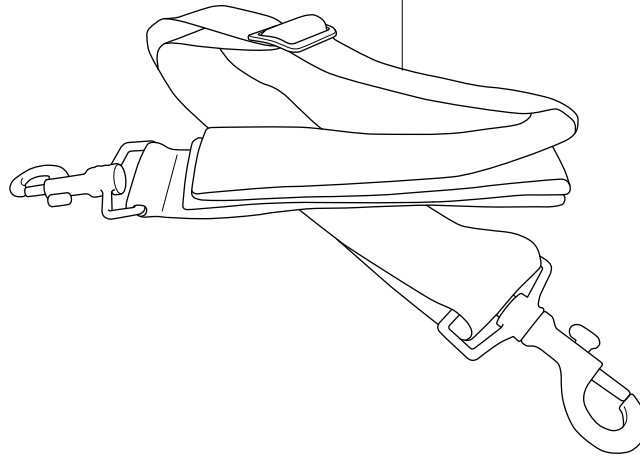
523 00 52-01 (x4)



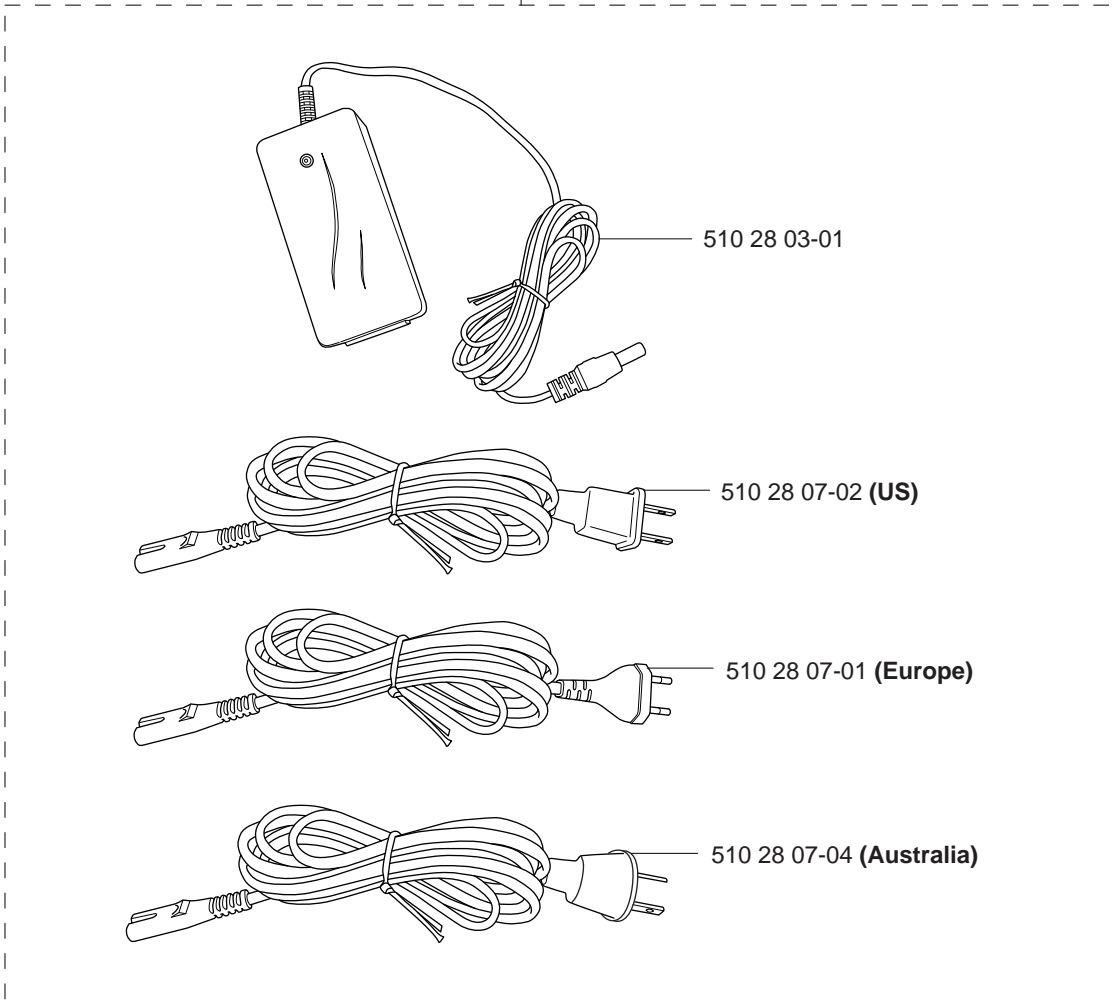
510 10 85-01

H PP 440 HF
RCC-UNIT

506 29 76-61



510 28 50-04



577 48 02-01

