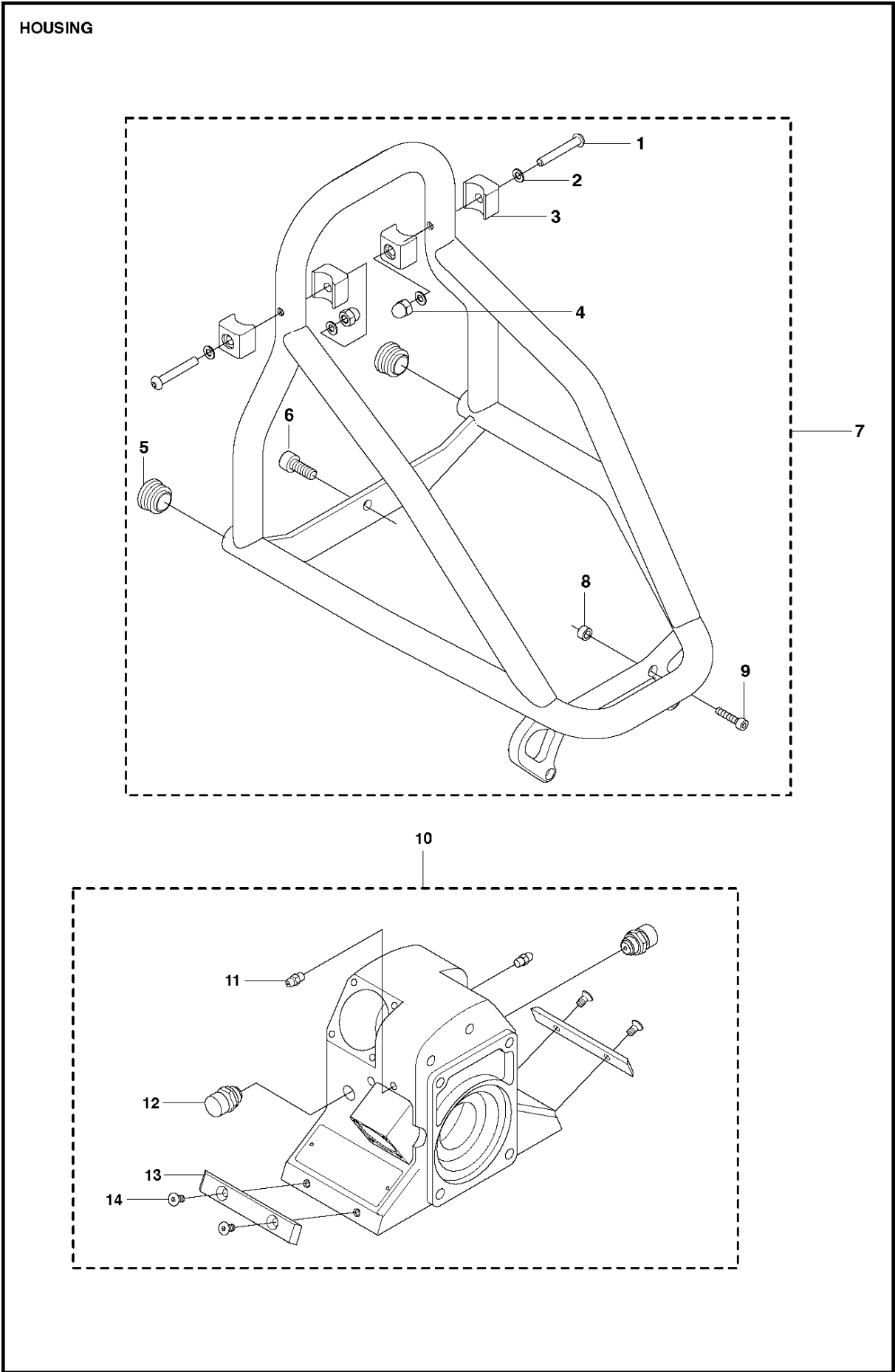




SPARE PARTS LIST

WALL SAWS

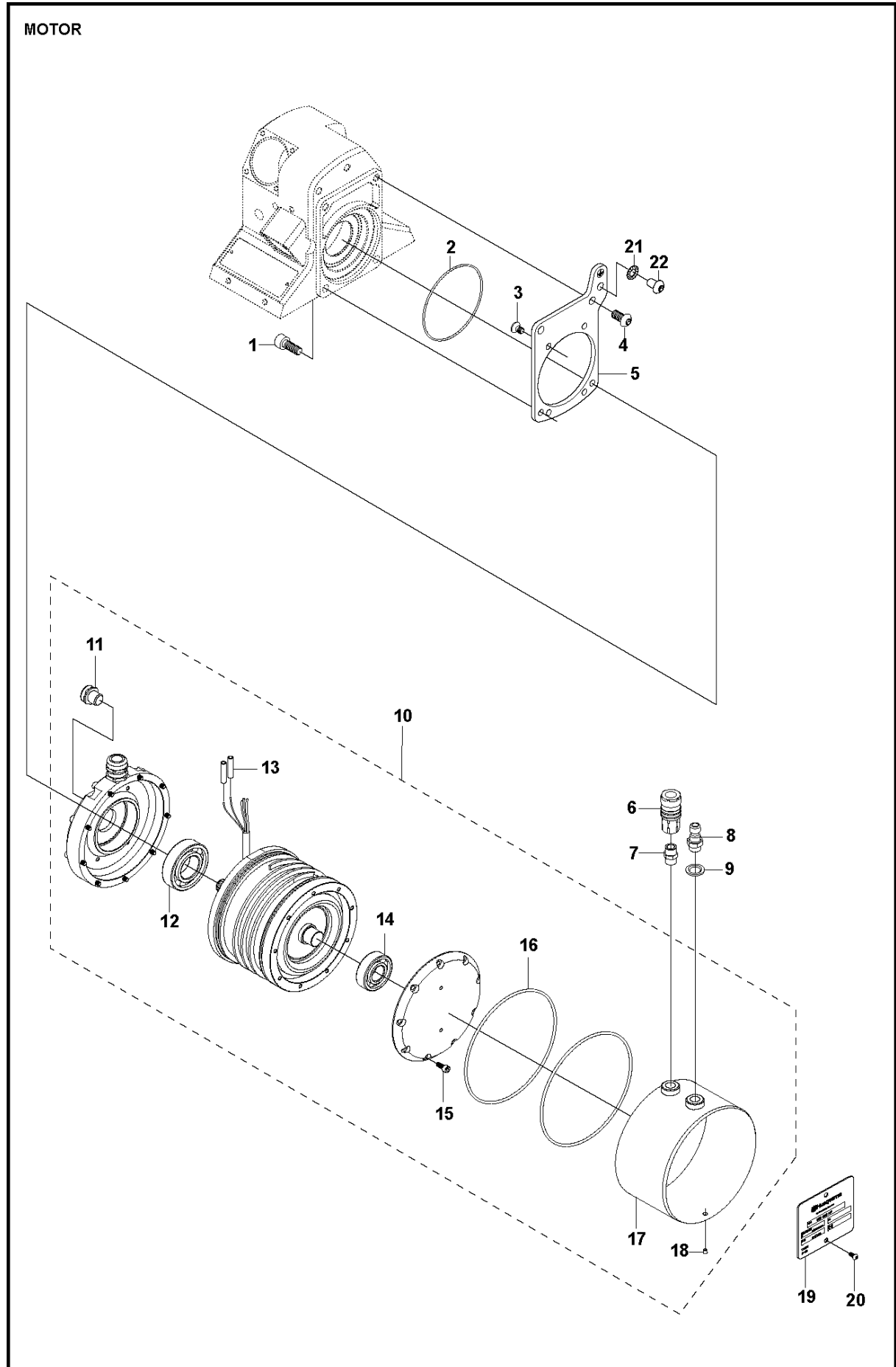
WS440 HF, Valid from 20134408469,
2013-11



HOUSING

WS440 HF, Valid from 20134408469, 2013-11

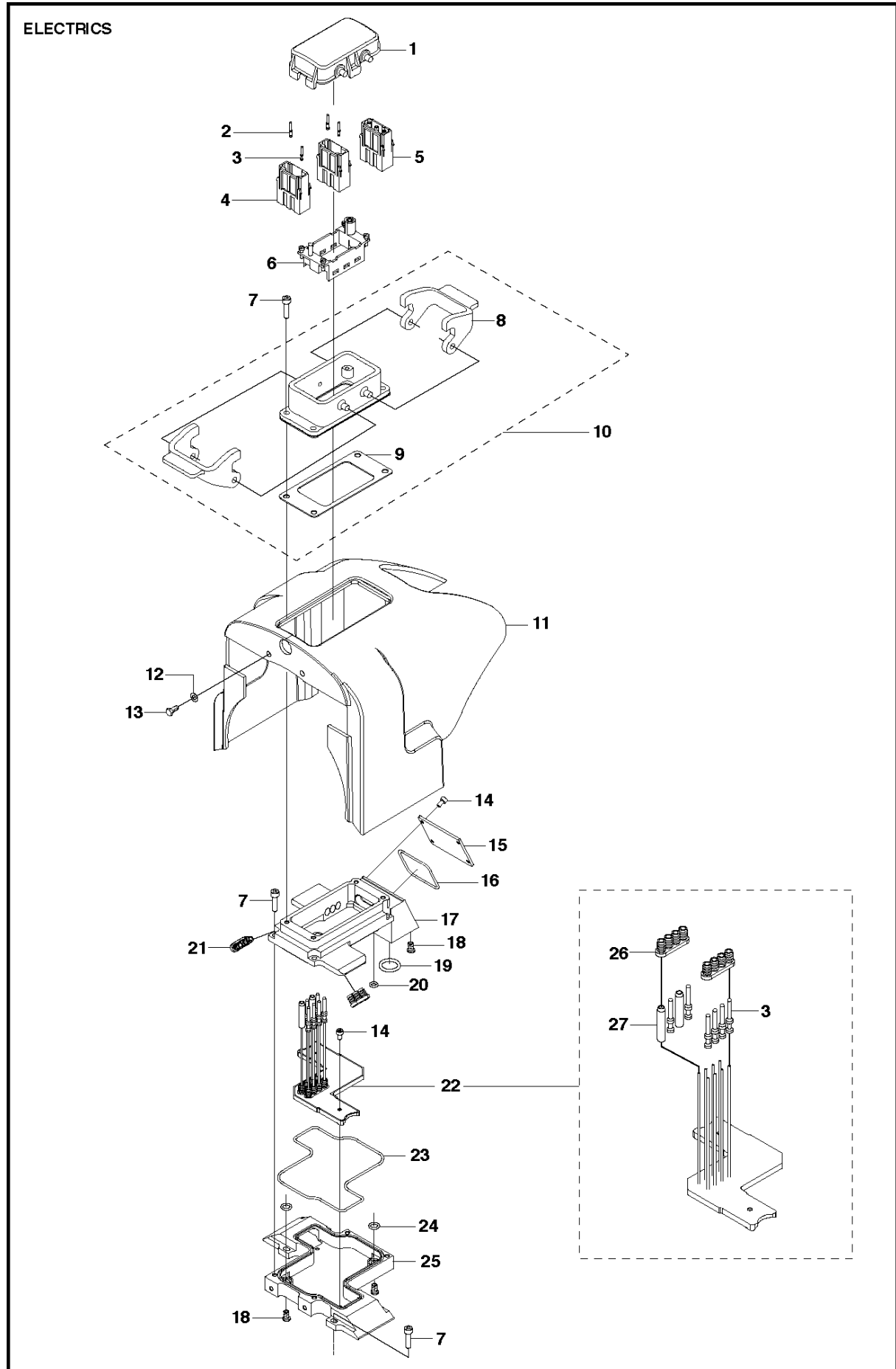
| Ref | Part No | Description | Remark | QTY | KIT |
|-----|--------------|----------------|---------------------|-----|-----|
| 1 | 531 11 95-44 | SCREW | | 2 | 7 |
| 2 | 734 11 52-01 | WASHER | | 4 | 7 |
| 3 | 574 26 34-01 | BLOCK | | 4 | 7 |
| 4 | 531 11 92-49 | CAP NUT | | 2 | 7 |
| 5 | 505 55 56-01 | PLUG | | 2 | 7 |
| 6 | 725 54 51-01 | SCREW IHSCM | | 2 | 7 |
| 7 | 592 89 63-01 | HANDLEBAR ASSY | Incl. 1 - 6 , 8 - 9 | 1 | |
| 8 | 577 88 62-01 | SPACER | | 4 | 7 |
| 9 | 725 53 33-01 | SCREW IHSCM | | 4 | 7 |
| 10 | 583 87 19-01 | HOUSING ASSY | Incl. 11 - 14 | 1 | |
| 11 | 577 40 11-01 | NIPPLE | | 2 | 10 |
| 12 | 583 87 18-01 | VALVE | | 2 | 10 |
| 13 | 531 12 30-20 | PLATE | | 2 | 10 |
| 14 | 725 63 27-51 | SCREW IHCSFM | | 4 | 10 |



MOTOR

WS440 HF, Valid from 20134408469, 2013-11

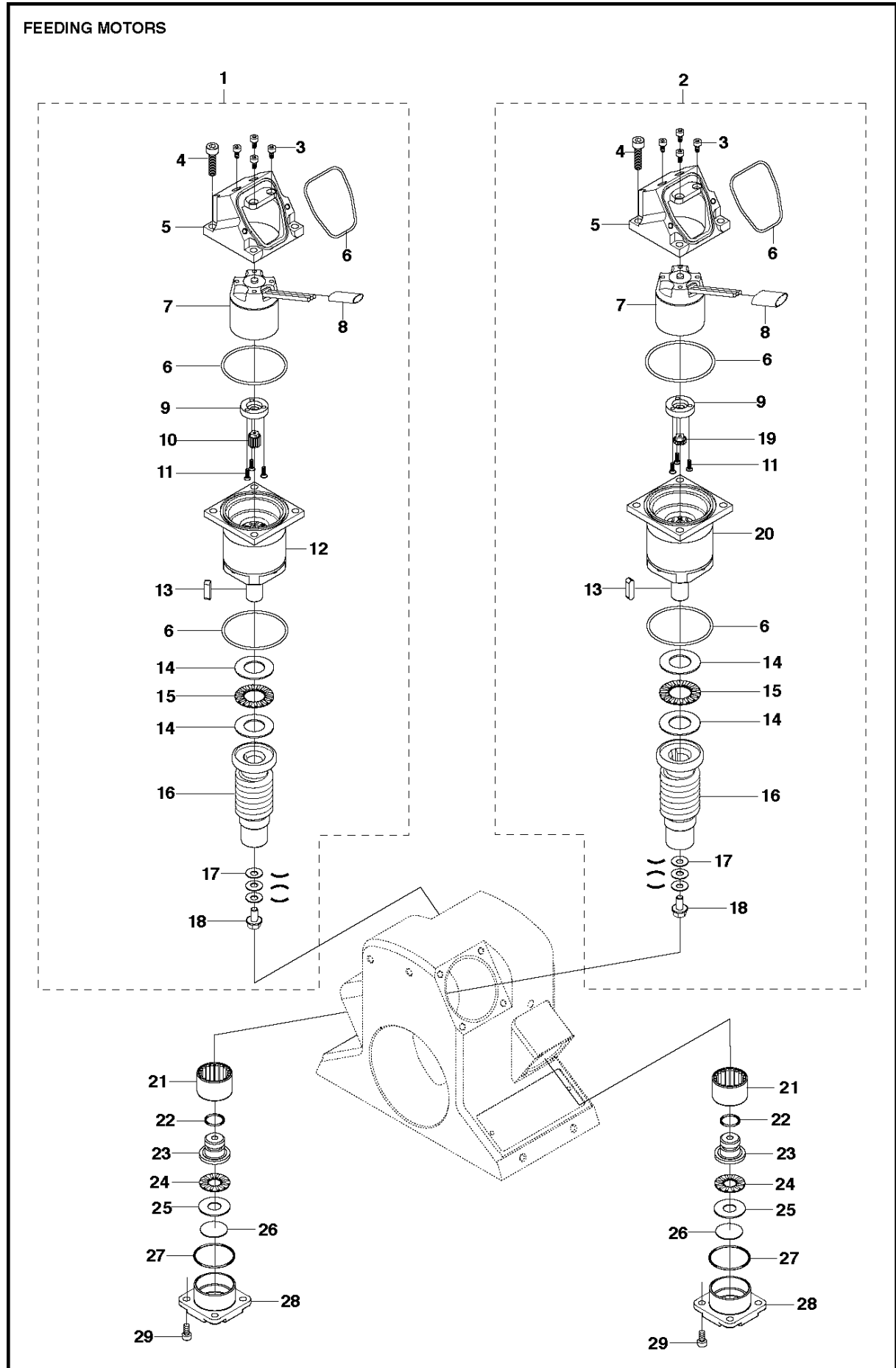
| Ref | Part No | Description | Remark | QTY KIT |
|-----|--------------|----------------|---------------|---------|
| 1 | 725 54 53-01 | SCREW IHSCM | | 2 |
| 2 | 531 11 92-93 | O-RING | | 1 |
| 3 | 725 63 66-51 | SCREW IHCSFM | | 4 |
| 4 | 531 11 95-11 | SCREW | | 2 |
| 5 | 531 12 32-14 | MOUNTING PLATE | | 1 |
| 6 | 531 11 82-19 | QUICK COUPLING | | 1 |
| 7 | 531 11 83-56 | ADAPTER | | 1 |
| 8 | 505 53 80-01 | QUICK COUPLING | | 1 |
| 9 | 740 38 27-01 | SEALING WASHER | | 1 |
| 10 | 580 65 71-01 | MOTOR ASSY | Incl. 11 - 18 | 1 |
| 11 | 505 52 84-01 | VALVE | | 1 |
| 12 | 522 83 94-01 | BEARING | | 1 |
| 13 | 579 16 48-01 | CONNECTOR | | 2 |
| 14 | 522 83 95-01 | BEARING | | 1 |
| 15 | 725 53 27-01 | SCREW IHSCM | | 7 |
| 16 | 505 24 66-01 | O-RING | | 2 |
| 17 | 531 12 32-12 | TUBE | | 1 |
| 18 | 728 83 21-05 | SCREW IHSETM | | 1 |
| 19 | 583 85 63-01 | TYPE PLATE | | 1 |
| 20 | 516 04 33-01 | SCREW | | 2 |
| 21 | 531 14 07-13 | WASHER | | 1 |
| | 531 11 95-60 | SCREW | | 1 |



ELECTRICAL

WS440 HF, Valid from 20134408469, 2013-11

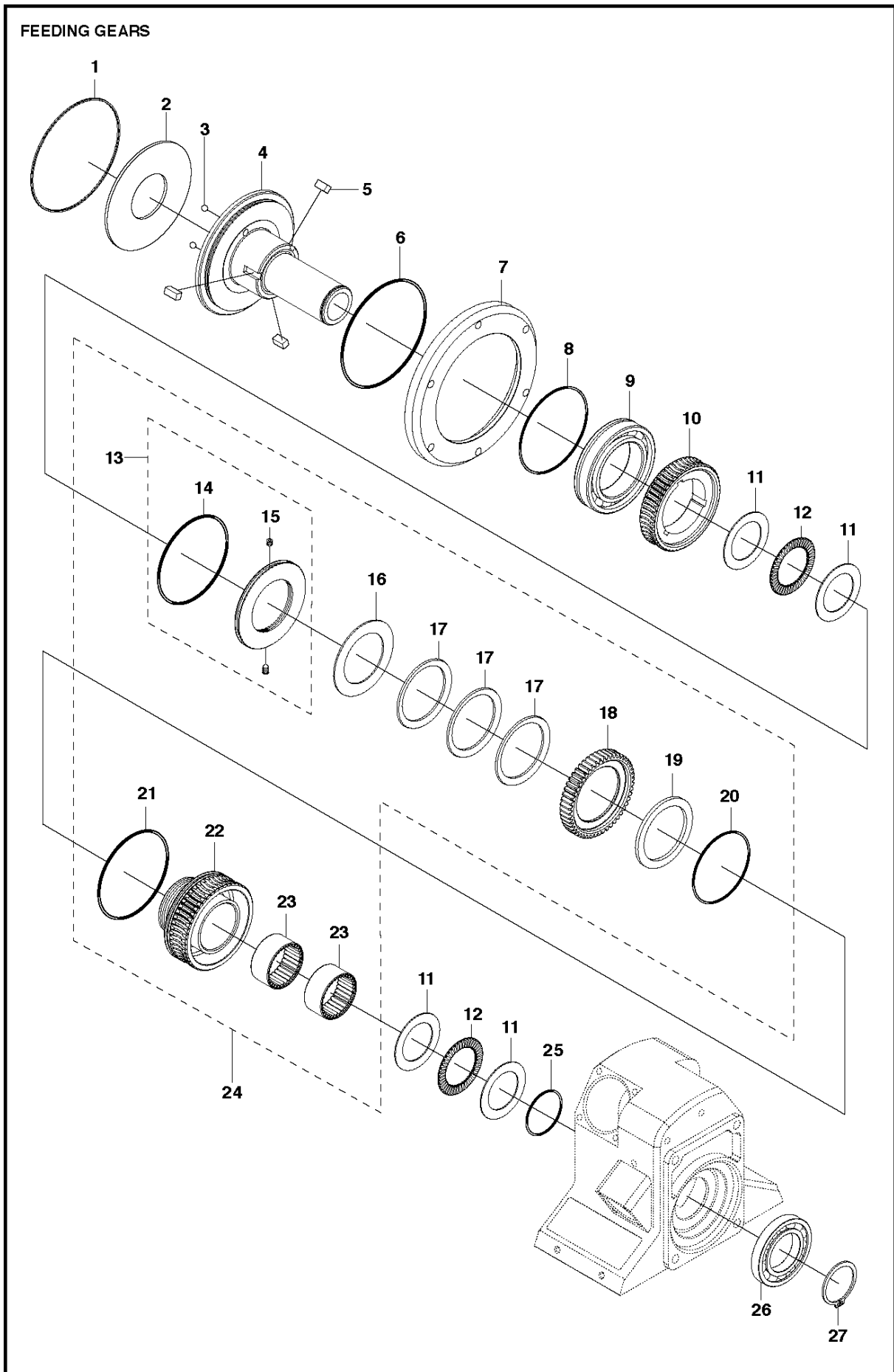
| Ref | Part No | Description | Remark | QTY KIT |
|-----|--------------|-----------------------|------------------|---------|
| 1 | 575 33 54-01 | COVER | | 1 |
| 2 | 531 11 73-20 | TERMINAL | | 6 |
| 3 | 522 93 08-01 | TERMINAL | | 6 |
| 4 | 522 93 07-01 | CONSOLE | | 2 |
| 5 | 505 53 81-01 | CONSOLE | | 1 |
| 6 | 505 52 89-01 | FRAME | | 1 |
| 7 | 579 25 51-01 | SCREW IHSCFMO | | 12 |
| 8 | 505 24 70-01 | SHACKLE | | 2 |
| 9 | 575 39 41-01 | GASKET | | 1 |
| 10 | 505 52 92-01 | CONTACT | Incl. 8 - 9 | 1 |
| 11 | 580 40 53-02 | COVER | | 1 |
| 12 | 734 11 35-71 | WASHER | | 2 |
| 13 | 725 22 87-71 | SCREW EHHM | | 2 |
| 14 | 579 54 85-01 | SCREW | | 6 |
| 15 | 578 37 36-01 | CABLE COVER | | 1 |
| 16 | 531 11 93-70 | O-RING | | 1 |
| 17 | 578 37 35-01 | SEALING PLATE | | 1 |
| 18 | 505 50 58-01 | PLUG | | 3 |
| 19 | 740 43 11-00 | O-RING | | 1 |
| 20 | 740 42 02-00 | O-RING | | 1 |
| 21 | 579 16 47-01 | SEALING PLUG | | 2 |
| 22 | 578 37 34-05 | PRINTED CIRCUIT BOARD | Incl. 3, 26 - 27 | 1 |
| 23 | 574 45 29-01 | O-RING | | 1 |
| 24 | 740 42 04-00 | O-RING | | 2 |
| 25 | 578 37 32-01 | ELECTRONIC BOX | | 1 |
| 26 | 579 16 47-02 | SEALING PLUG | | 2 |
| 27 | 580 42 94-01 | CONNECTOR | | 2 |



FEEDING MOTORS

WS440 HF, Valid from 20134408469, 2013-11

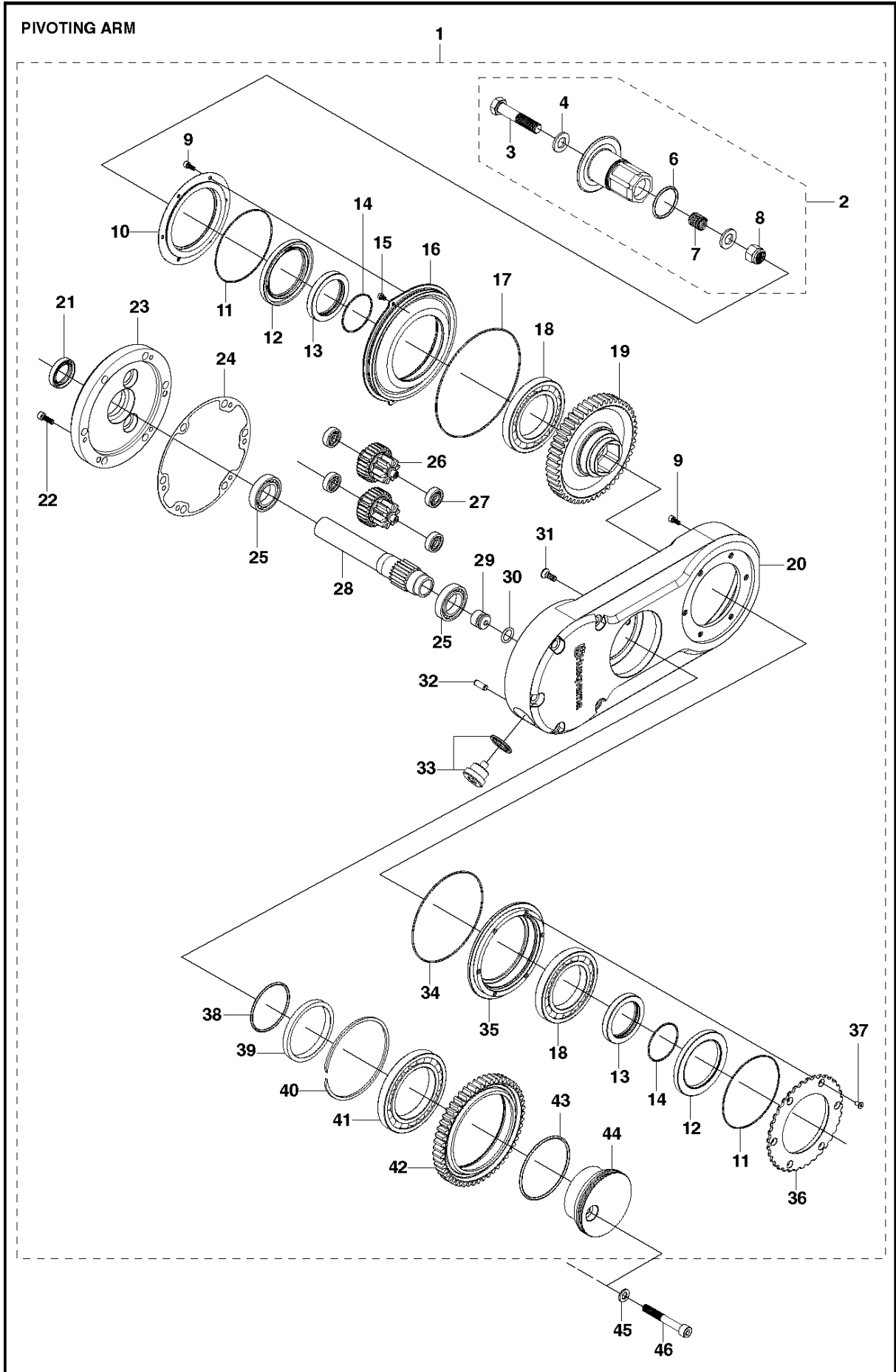
| Ref | Part No | Description | Remark | QTY KIT |
|-----|--------------|--------------------------|---------------------------|---------|
| 1 | 580 62 50-01 | MOTOR ASSY | Incl. 3 - 18 | 1 |
| 2 | 580 62 51-01 | MOTOR ASSY | Incl. 3-9,11,13-18, 19-20 | 1 |
| 3 | 725 52 20-01 | SCREW IHSCM | | 8 |
| 4 | 725 53 31-01 | SCREW IHSCM | | 8 |
| 5 | 578 37 31-01 | MOTOR HOUSING | | 2 |
| 6 | 531 11 92-82 | O-RING | | 6 |
| 7 | 505 53 86-01 | ELECTRIC BOX | | 2 |
| 8 | 580 49 93-01 | HOSE KIT | | 2 |
| 9 | 531 12 32-27 | SHAFT | | 2 |
| 10 | 531 12 32-36 | GEAR WHEEL | | 1 |
| 11 | 723 51 93-51 | SCREW | | 6 |
| 12 | 581 78 38-01 | GEARBOX | | 1 |
| 13 | 531 11 93-02 | KEY | | 2 |
| 14 | 531 11 94-46 | WASHER | | 4 |
| 15 | 531 11 91-50 | BEARING | | 2 |
| 16 | 531 12 30-28 | AUTOMATIC FEEDING SYSTEM | | 2 |
| 17 | 510 00 71-01 | SPRING WASHER | | 6 |
| 18 | 531 11 95-79 | SCREW | | 2 |
| 19 | 531 12 32-34 | GEAR WHEEL | | 1 |
| 20 | 581 78 37-01 | GEARBOX | | 1 |
| 21 | 531 11 91-55 | BEARING | | 2 |
| 22 | 740 43 09-00 | O-RING | | 2 |
| 23 | 531 12 20-34 | AXLE | | 2 |
| 24 | 531 11 91-49 | BEARING | | 2 |
| 25 | 531 11 91-46 | BEARING | | 2 |
| 26 | 531 11 91-58 | SHIM | | 2 |
| 27 | 531 11 92-77 | O-RING | | 2 |
| 28 | 531 12 30-55 | BLOCK | | 2 |
| 29 | 531 11 92-28 | SCREW | | 8 |



FEEDING GEARS

WS440 HF, Valid from 20134408469, 2013-11

| Ref | Part No | Description | Remark | QTY KIT |
|-----|--------------|--------------|---------------|---------|
| 1 | 531 11 93-75 | O-RING | | 1 |
| 2 | 531 12 22-80 | PLATE | | 1 |
| 3 | 581 08 40-01 | BALL | | 2 |
| 4 | 574 61 87-01 | SHAFT | | 1 |
| 5 | 574 61 97-01 | KEY | | 3 |
| 6 | 531 11 93-76 | O-RING | | 1 |
| 7 | 531 12 30-40 | WASHER | | 1 |
| 8 | 574 45 25-01 | O-RING | | 1 |
| 9 | 580 41 59-01 | BEARING | | 1 |
| 10 | 531 12 30-21 | GEAR WHEEL | | 1 |
| 11 | 531 11 90-39 | WASHER | | 4 |
| 12 | 531 11 90-42 | BEARING | | 2 |
| 13 | 580 42 49-02 | NUT | Incl. 14 - 15 | 1 |
| 14 | 580 41 24-01 | O-RING | | 1 |
| 15 | 728 72 89-05 | SCREW IHSETM | | 2 |
| 16 | 531 11 94-40 | BEARING | | 1 |
| 17 | 531 12 30-25 | CUP | | 3 |
| 18 | 531 12 30-23 | GEAR WHEEL | | 1 |
| 19 | 531 12 30-26 | PLATE | | 1 |
| 20 | 531 11 95-00 | O-RING | | 1 |
| 21 | 531 11 95-04 | O-RING | | 1 |
| 22 | 591 18 70-01 | GEAR WHEEL | Incl. 19 | 1 |
| 23 | 531 11 94-39 | BEARING | | 2 |
| 24 | 531 11 32-71 | CLUTCH | Incl. 13 - 23 | 1 |
| 25 | 531 11 94-50 | O-RING | | 1 |
| 26 | 531 11 94-43 | BEARING | | 1 |
| 27 | 735 31 33-00 | CIRCLIP | | 1 |

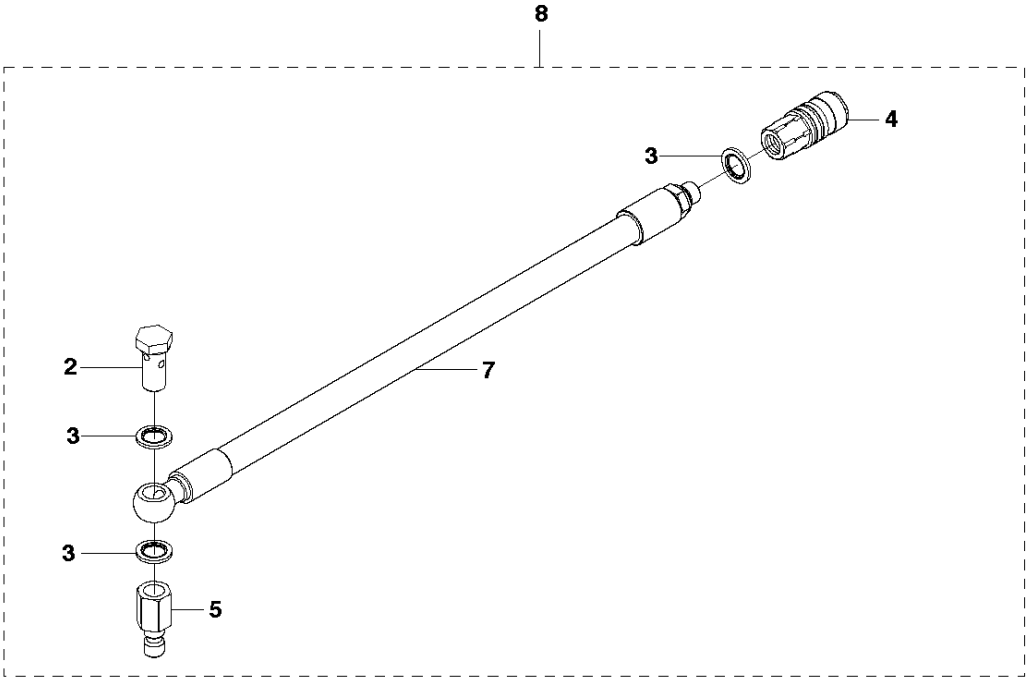
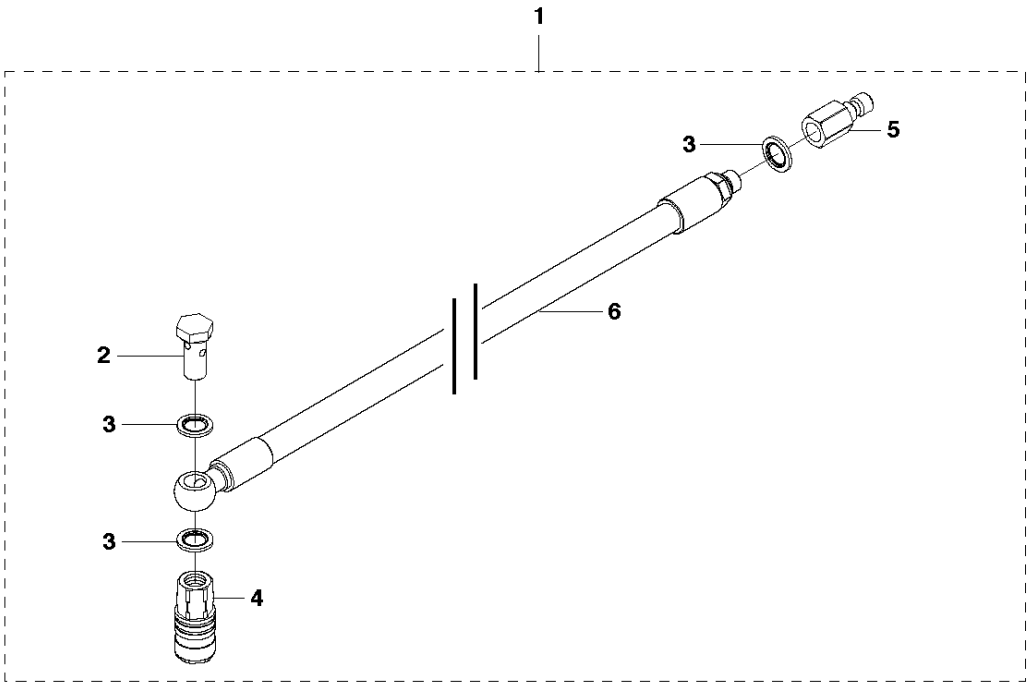


PIVOTING ARM

WS440 HF, Valid from 20134408469, 2013-11

| Ref | Part No | Description | Remark | QTY KIT |
|-----|--------------|---------------------|--------------|---------|
| 1 | 505 11 65-01 | PIVOTING ARM | Incl. 2 - 44 | 1 |
| 2 | 580 67 79-01 | SHAFT ASSY | Incl. 3 - 8 | 1 |
| 3 | 725 25 44-91 | SCREW EHHM | | 1 |
| 4 | 531 11 91-83 | WASHER | | 2 |
| 6 | 531 11 92-74 | O-RING | | 1 |
| 7 | 531 11 93-64 | SPRING | | 1 |
| 8 | 732 25 22-71 | HEXAGON LOCKING NUT | | 1 |
| 9 | 725 52 89-01 | SCREW IHSCM | | 12 |
| 10 | 529 28 11-01 | REAR COVER | | 1 |
| 11 | 574 45 26-01 | O-RING | | 2 |
| 12 | 574 45 22-01 | SEAL | | 2 |
| 13 | 574 44 39-01 | RING | | 2 |
| 14 | 574 45 24-01 | O-RING | | 2 |
| 15 | 506 06 85-01 | SCREW | | 2 |
| 16 | 529 28 12-01 | BEARING COVER | | 1 |
| 17 | 531 11 93-60 | O-RING | | 1 |
| 18 | 574 45 21-01 | BEARING | | 2 |
| 19 | 529 28 20-01 | GEAR WHEEL | | 1 |
| 20 | 575 25 82-01 | GEAR CASE | | 1 |
| 21 | 531 11 96-01 | SEALING | | 1 |
| 22 | 725 53 29-01 | SCREW IHSCM | | 3 |
| 23 | 587 14 96-01 | CLUTCH COVER | | 1 |
| 24 | 522 72 01-01 | GASKET | | 1 |
| 25 | 505 53 90-01 | BEARING | | 2 |
| 26 | 580 63 78-01 | GEAR ASSY | | 2 |
| 27 | 505 53 89-01 | BEARING | | 4 |
| 28 | 580 60 58-01 | GEAR WHEEL SHAFT | | 1 |
| 29 | 531 12 20-49 | SEALING PLUG | | 1 |
| 30 | 740 43 11-00 | O-RING | | 1 |
| 31 | 579 56 58-01 | SCREW | | 1 |
| 32 | 720 13 51-50 | PARALLEL PIN | | 2 |
| 33 | 531 11 81-13 | PLUG | | 1 |
| 34 | 574 45 29-01 | O-RING | | 1 |
| 35 | 529 28 14-01 | BEARING CAGE | | 1 |
| 36 | 529 28 17-01 | LID | | 1 |
| 37 | 725 62 87-01 | SCREW IHCSFM | | 6 |
| 38 | 574 45 30-01 | O-RING | | 1 |
| 39 | 522 52 64-01 | INTERLAYER | | 1 |
| 40 | 574 45 32-01 | SNAP RING | | 1 |
| 41 | 574 45 20-01 | BEARING | | 1 |
| 42 | 522 52 62-02 | DRIVER | | 1 |
| 43 | 531 11 94-51 | O-RING | | 1 |
| 44 | 522 52 63-01 | MANIFOLD | | 1 |
| 45 | 734 11 63-01 | WASHER | | 6 |
| 46 | 725 54 64-01 | SCREW IHSCM | | 6 |

HOSES



HOSE

WS440 HF, Valid from 20134408469, 2013-11

| Ref | Part No | Description | Remark | QTY KIT |
|-----|--------------|----------------|---------------------|---------|
| 1 | 505 11 53-01 | HOSE | 8 m, Incl. 2 - 6 | 1 |
| 2 | 531 11 83-05 | SCREW | | 2 |
| 3 | 740 38 27-01 | SEALING WASHER | | 6 |
| 4 | 531 11 82-19 | QUICK COUPLING | | 2 |
| 5 | 531 11 82-18 | QUICK COUPLING | | 2 |
| 6 | 505 21 83-01 | HOSE | | 1 |
| 7 | 505 21 82-01 | HOSE | | 1 |
| 8 | 505 21 84-01 | HOSE | 1 m, Incl. 2 - 5, 8 | 1 |