

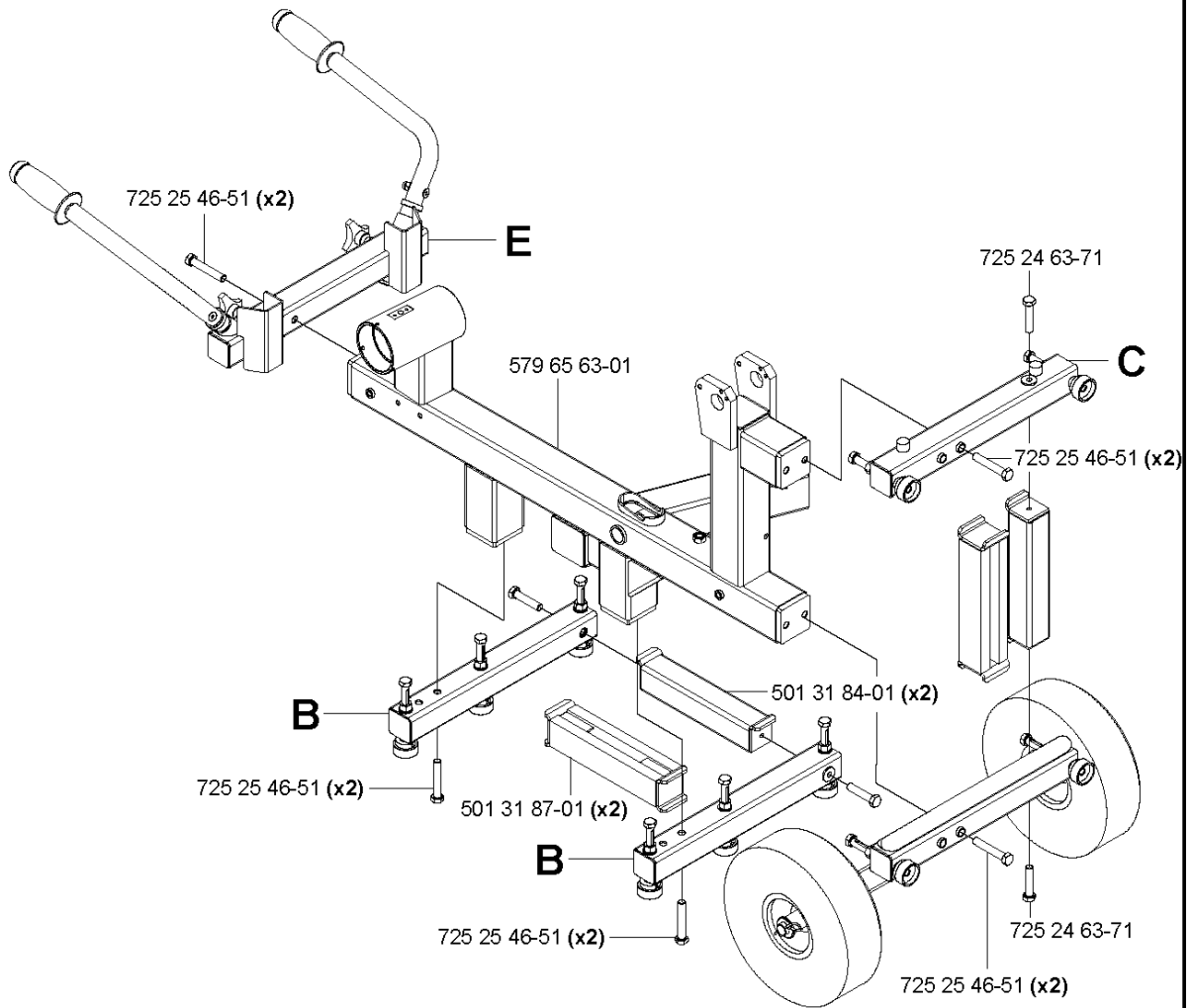


SPARE PARTS LIST

WIRE SAWS

CS2512, 2013-04, From machine number
1301-

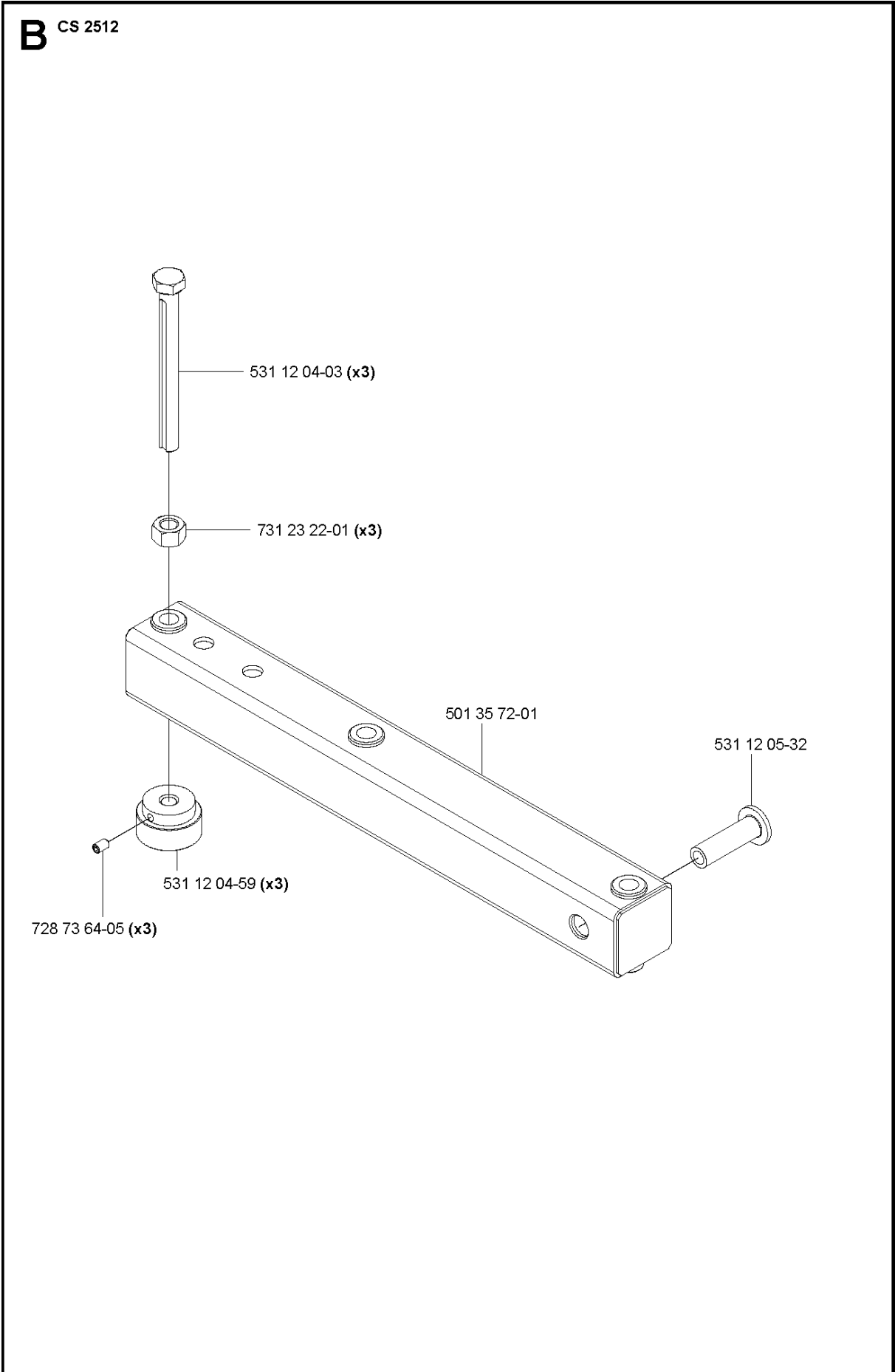
A CS 2512



FRAME

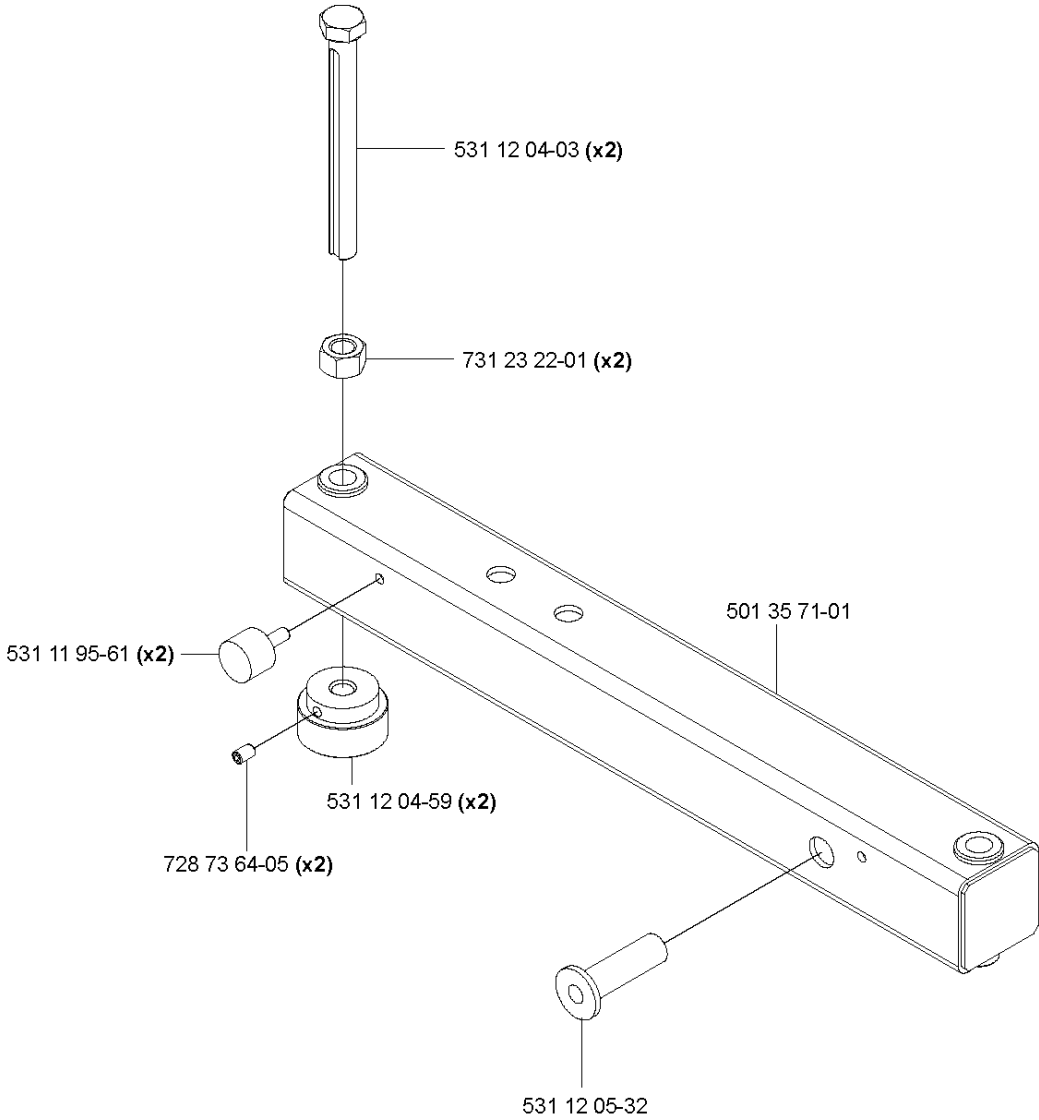
CS2512, 2013-04, From machine number 1301-

Part No	Description	Remark	QTY KIT
501 31 84-01	CROSS BAR		1
501 31 87-01	BRACKET		1
579 65 63-01	FRAME		1
725 24 63-71	SCREW EHHM		1
725 25 46-51	SCREW EHHM		1



Part No	Description	Remark	QTY KIT
501 35 72-01	BEAM		1
531 12 04-03	SCREW		1
531 12 04-59	FOOTPLATE		1
531 12 05-32	SLEEVE		1
728 73 64-05	SCREW IHSETM		1
731 23 22-01	HEXAGON NUT		1

C CS 2512

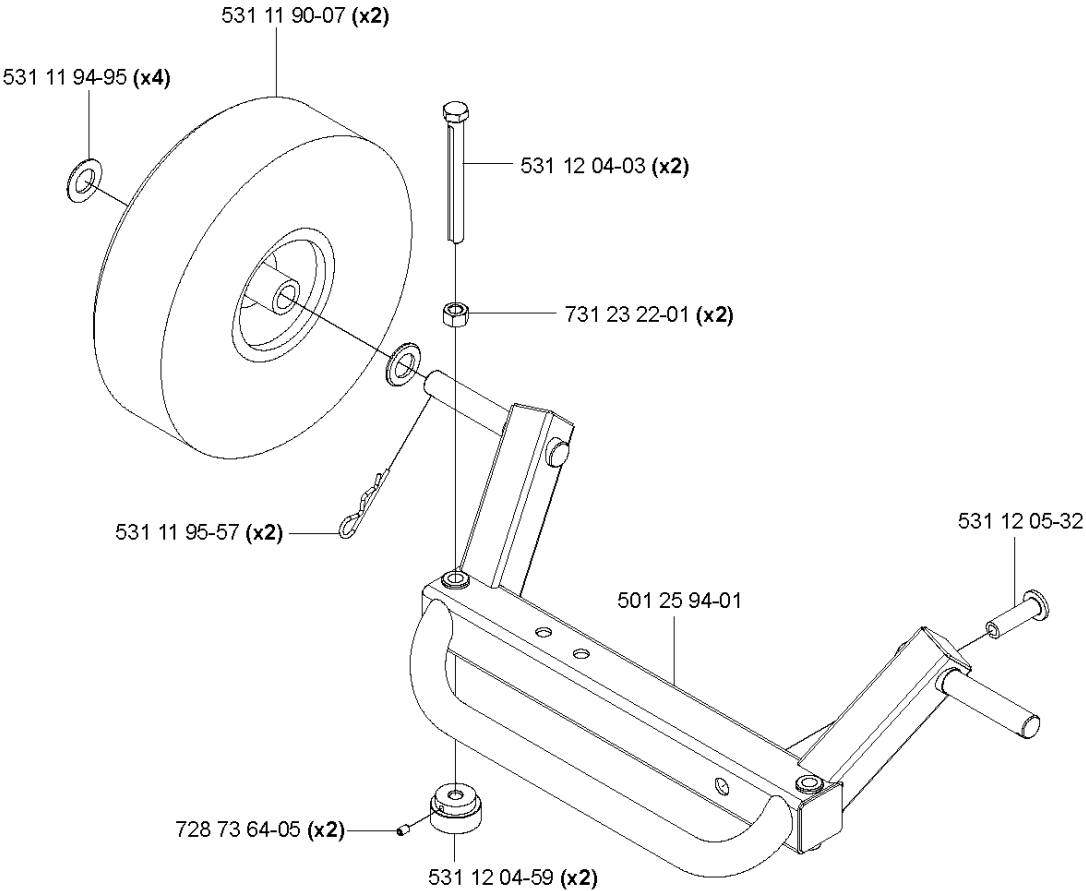


COLUMN

CS2512, 2013-04, From machine number 1301-

Part No	Description	Remark	QTY KIT
501 35 71-01	BEAM		1
531 11 95-61	PAD		1
531 12 04-03	SCREW		1
531 12 04-59	FOOTPLATE		1
531 12 05-32	SLEEVE		1
728 73 64-05	SCREW IHSETM		1
731 23 22-01	HEXAGON NUT		1

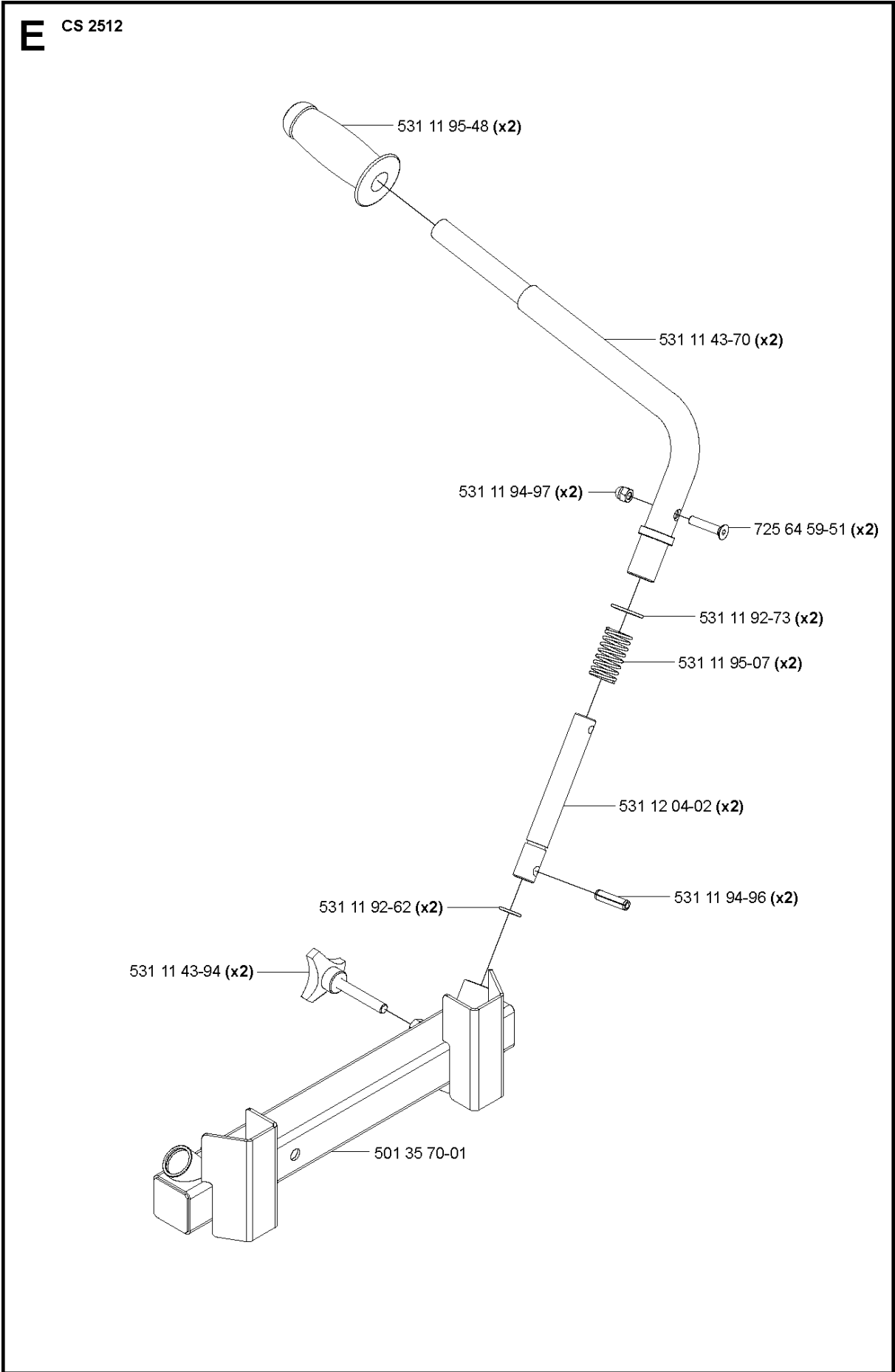
D CS 2512



WHEELS & TIRES

CS2512, 2013-04, From machine number 1301-

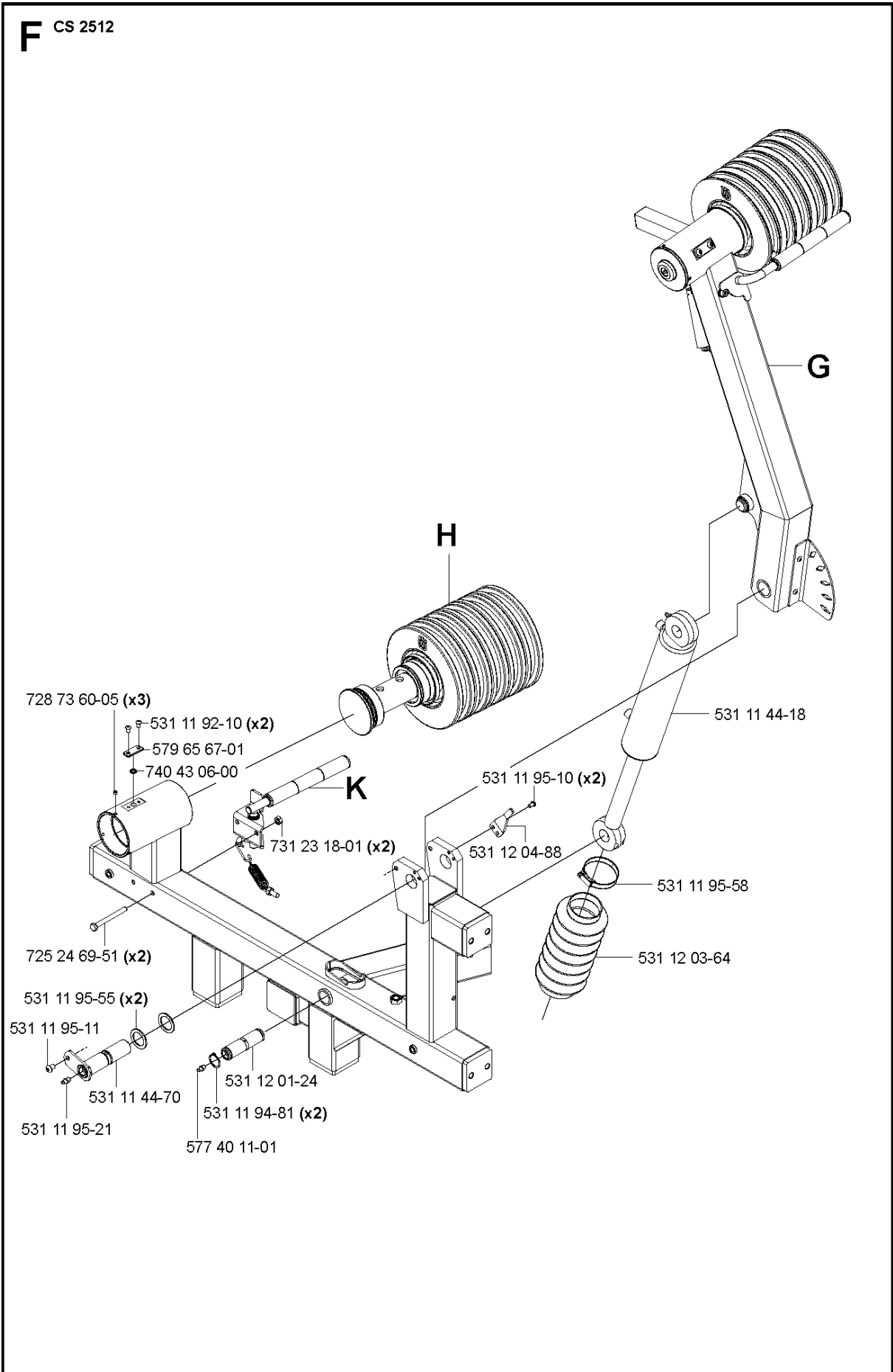
Part No	Description	Remark	QTY KIT
501 25 94-01	WHEEL BRACKET		1
531 11 90-07	WHEEL		1
531 11 94-95	WASHER		1
531 11 95-57	LOCKING PIN		1
531 12 04-03	SCREW		1
531 12 04-59	FOOTPLATE		1
531 12 05-32	SLEEVE		1
728 73 64-05	SCREW IHSETM		1
731 23 22-01	HEXAGON NUT		1



HANDLE

CS2512, 2013-04, From machine number 1301-

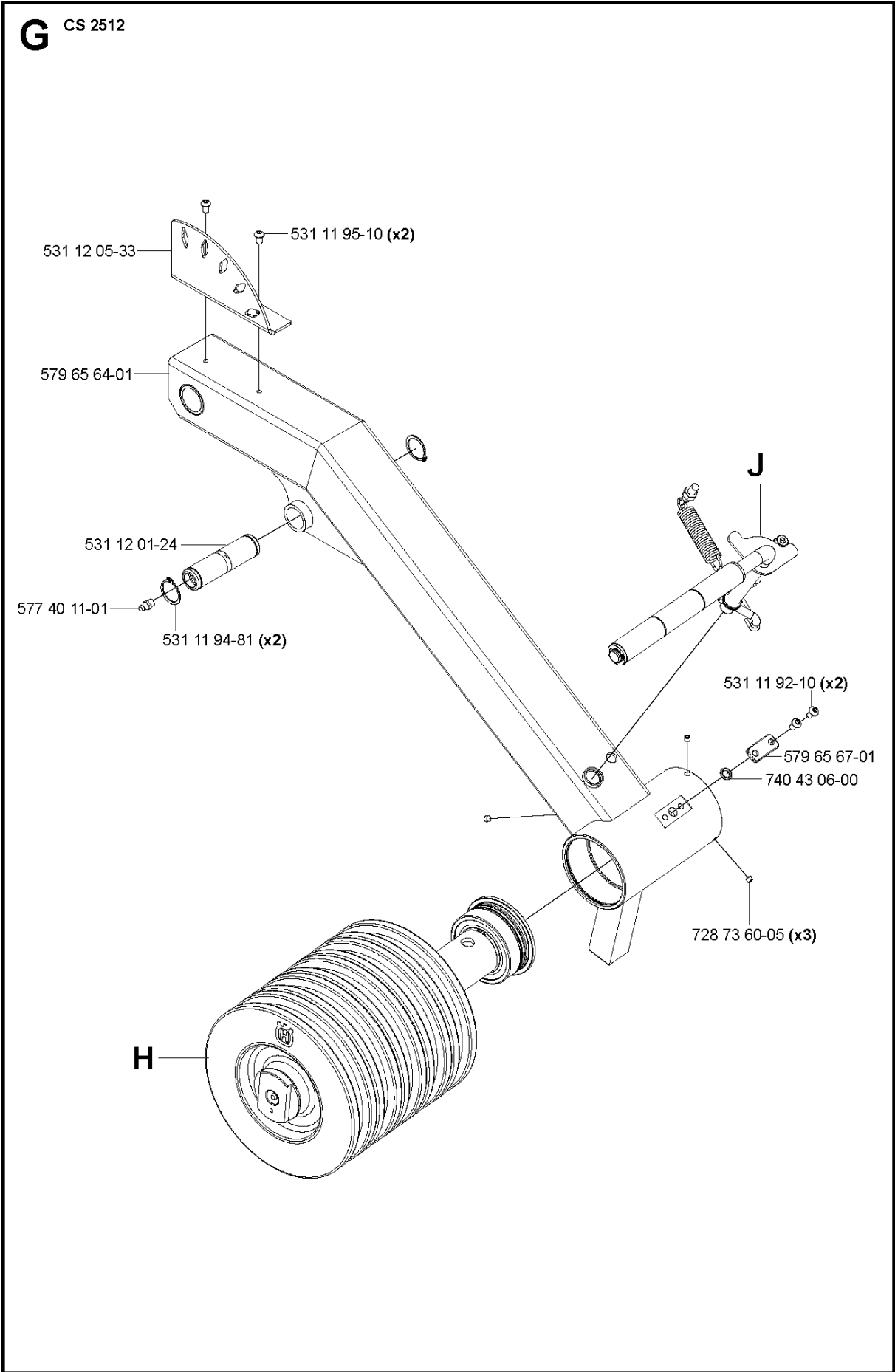
Part No	Description	Remark	QTY KIT
501 35 70-01	HANDLE BRACKET		1
531 11 43-70	HANDLE		1
531 11 43-94	KNOB		1
531 11 92-62	O-RING		1
531 11 92-73	O-RING		1
531 11 94-96	PIN		1
531 11 94-97	SCREW		1
531 11 95-07	SPRING		1
531 11 95-48	HANDLE		1
531 12 04-02	PIN		1
725 64 59-51	SCREW IHCSFM		1



CYLINDER

CS2512, 2013-04, From machine number 1301-

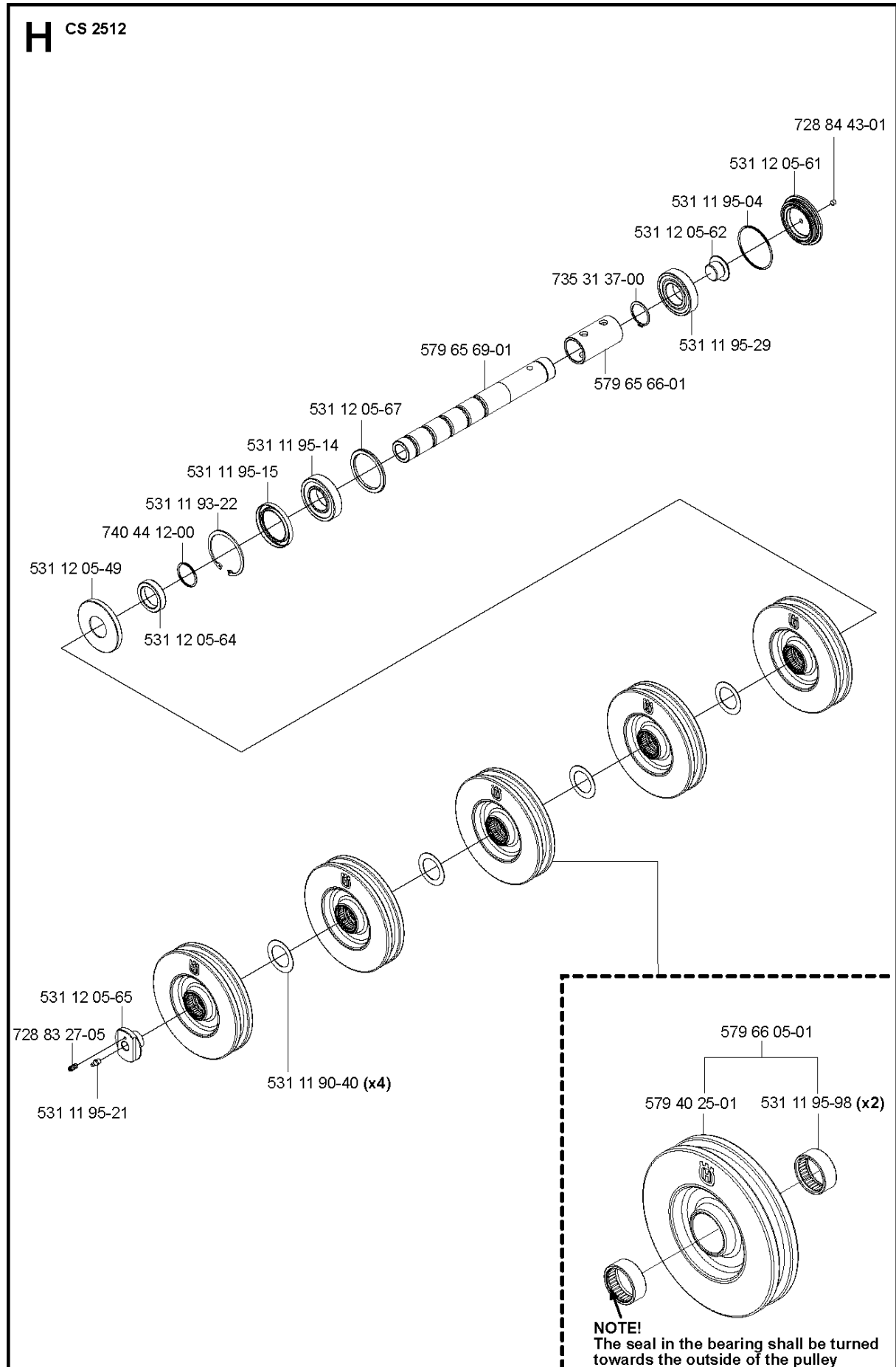
Part No	Description	Remark	QTY KIT
531 11 44-18	CYLINDER		1
531 11 44-70	SHAFT		1
531 11 92-10	SCREW		1
531 11 94-81	CLIP		1
531 11 95-10	SCREW		1
531 11 95-11	SCREW		1
531 11 95-21	NIPPLE		1
531 11 95-55	WASHER		1
531 11 95-58	CLAMP		1
531 12 01-24	SHAFT		1
531 12 03-64	BELLOWS		1
531 12 04-88	POINTER		1
577 40 11-01	NIPPLE		1
579 65 67-01	COVER		1
725 24 69-51	SCREW EHHM		1
728 73 60-05	SCREW IHSETM		1
731 23 18-01	HEXAGON NUT		1
740 43 06-00	O-RING		1



PIVOTING ARM

CS2512, 2013-04, From machine number 1301-

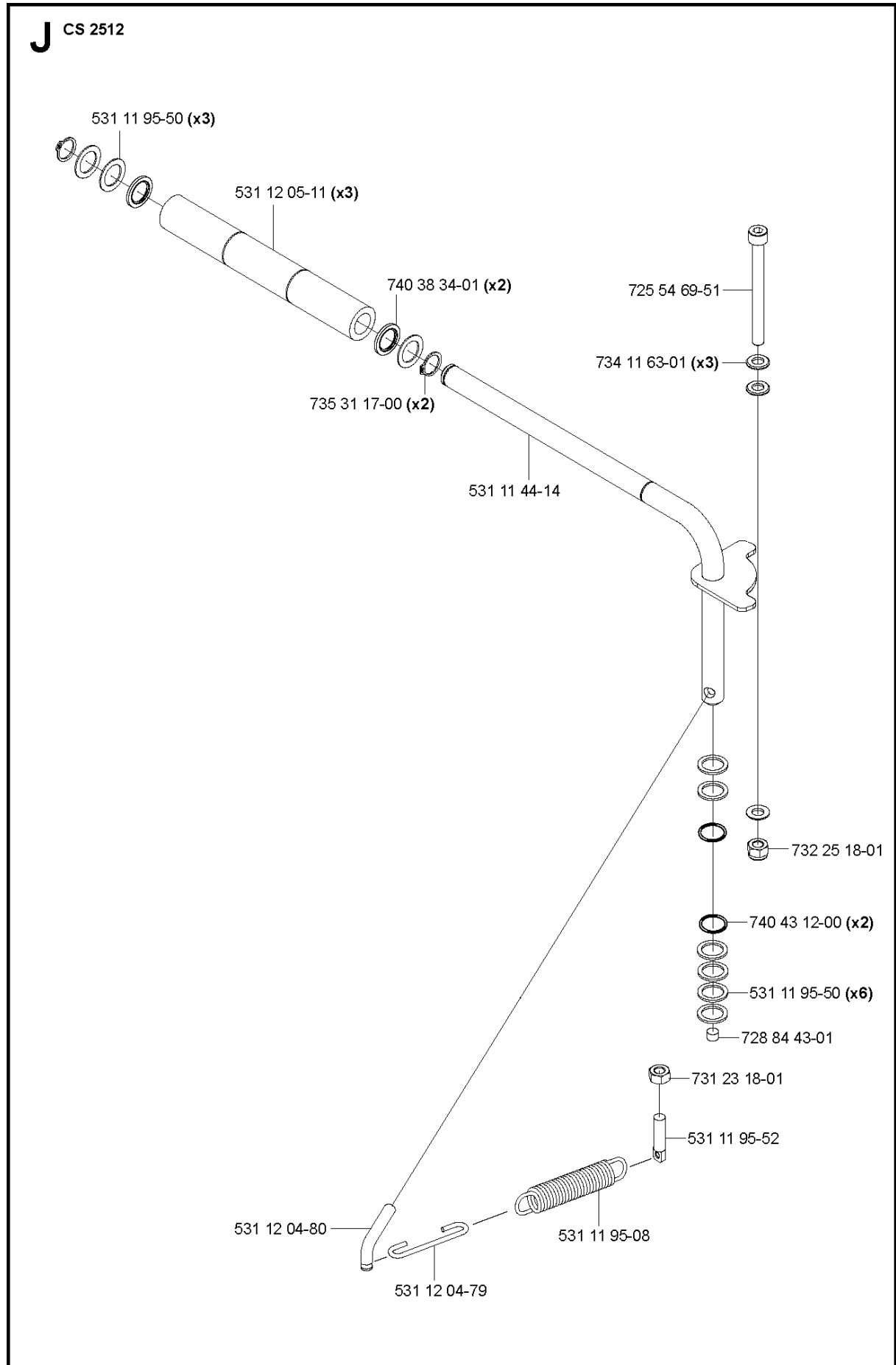
Ref	Part No	Description	Remark	QTY KIT
531 12 05-33	531 12 05-33	ANGLE BRACKET		1
531 11 94-81	531 11 94-81	CLIP		1
531 11 95-10	531 11 95-10	SCREW		1
531 12 01-24	531 12 01-24	SHAFT		1
728 73 60-05	728 73 60-05	SCREW IHSETM		1
531 11 92-10	531 11 92-10	SCREW		1
740 43 06-00	740 43 06-00	O-RING		1
577 40 11-01	577 40 11-01	NIPPLE		1
577 40 11-01	579 65 67-01	COVER		1
579 65 64-01	579 65 64-01	ARM		1
579 65 67-01	579 65 67-01	COVER		1



SHAFT

CS2512, 2013-04, From machine number 1301-

Part No	Description	Remark	QTY KIT
531 11 44-81	WHEEL MAGASIN WITH BEARINGS		1
531 11 90-40	WASHER		1
531 11 93-22	CLIP		1
531 11 95-04	O-RING		1
531 11 95-14	BEARING		1
531 11 95-15	SEALING		1
531 11 95-21	NIPPLE		1
531 11 95-29	BEARING		1
531 11 95-98	BEARING		1
531 12 05-49	COVER		1
531 12 05-61	COVER		1
531 12 05-62	PLUG		1
531 12 05-64	SEALING RING		1
531 12 05-65	FLANGE		1
531 12 05-67	SPACER RING		1
579 40 25-01	WHEEL		1
579 65 66-01	SPACER		1
579 65 69-01	SHAFT		1
579 66 05-01	PULLEY ASSY		1
728 83 27-05	SCREW IHSETM		1
728 84 43-01	SCREW IHSETM		1
735 31 37-00	CIRCLIP		1
740 44 12-00	O-RING		1

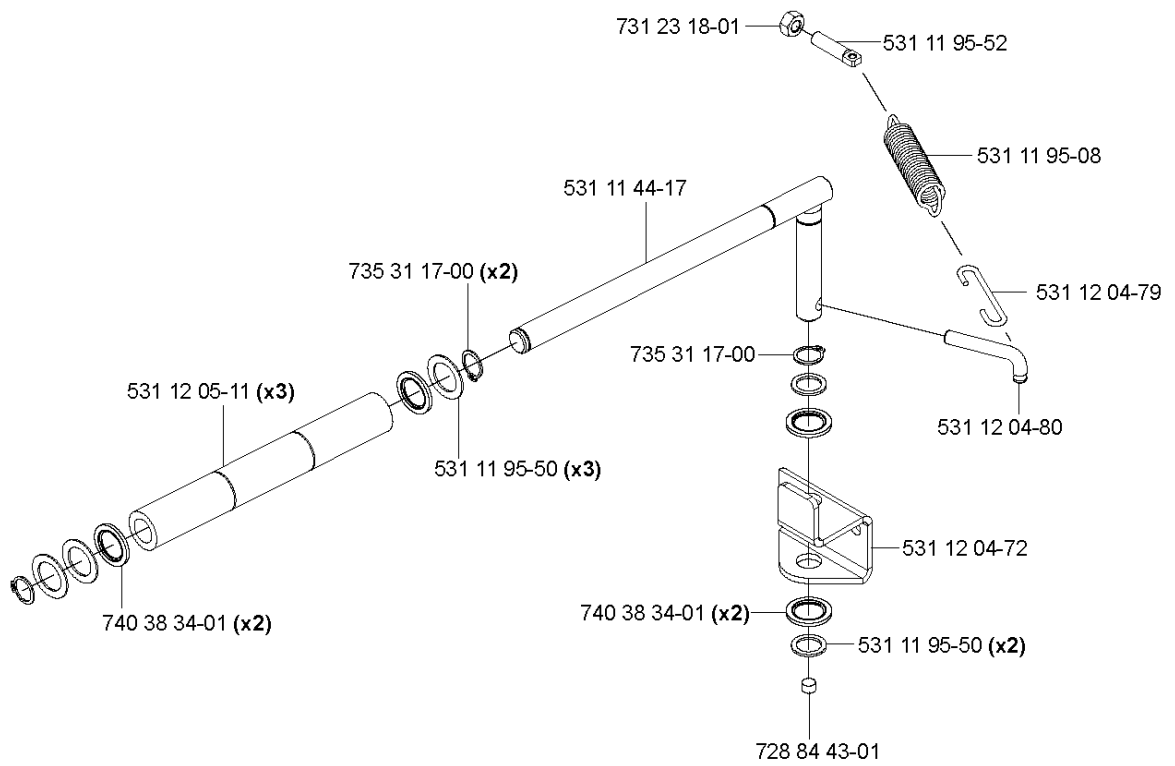


SHAFT

CS2512, 2013-04, From machine number 1301-

Part No	Description	Remark	QTY KIT
531 11 44-14	SHAFT		1
531 11 95-08	SPRING		1
531 11 95-50	WASHER		1
531 11 95-52	MOUNT		1
531 12 04-79	HOOK		1
531 12 04-80	HOOK		1
531 12 05-11	ROLLER		1
725 54 69-51	SCREW IHSCM		1
728 84 43-01	SCREW IHSETM		1
731 23 18-01	HEXAGON NUT		1
732 25 18-01	HEXAGON LOCKING NUT		1
734 11 63-01	WASHER		1
735 31 17-00	CIRCLIP		1
740 38 34-01	SEALING WASHER		1
740 43 12-00	O-RING		1

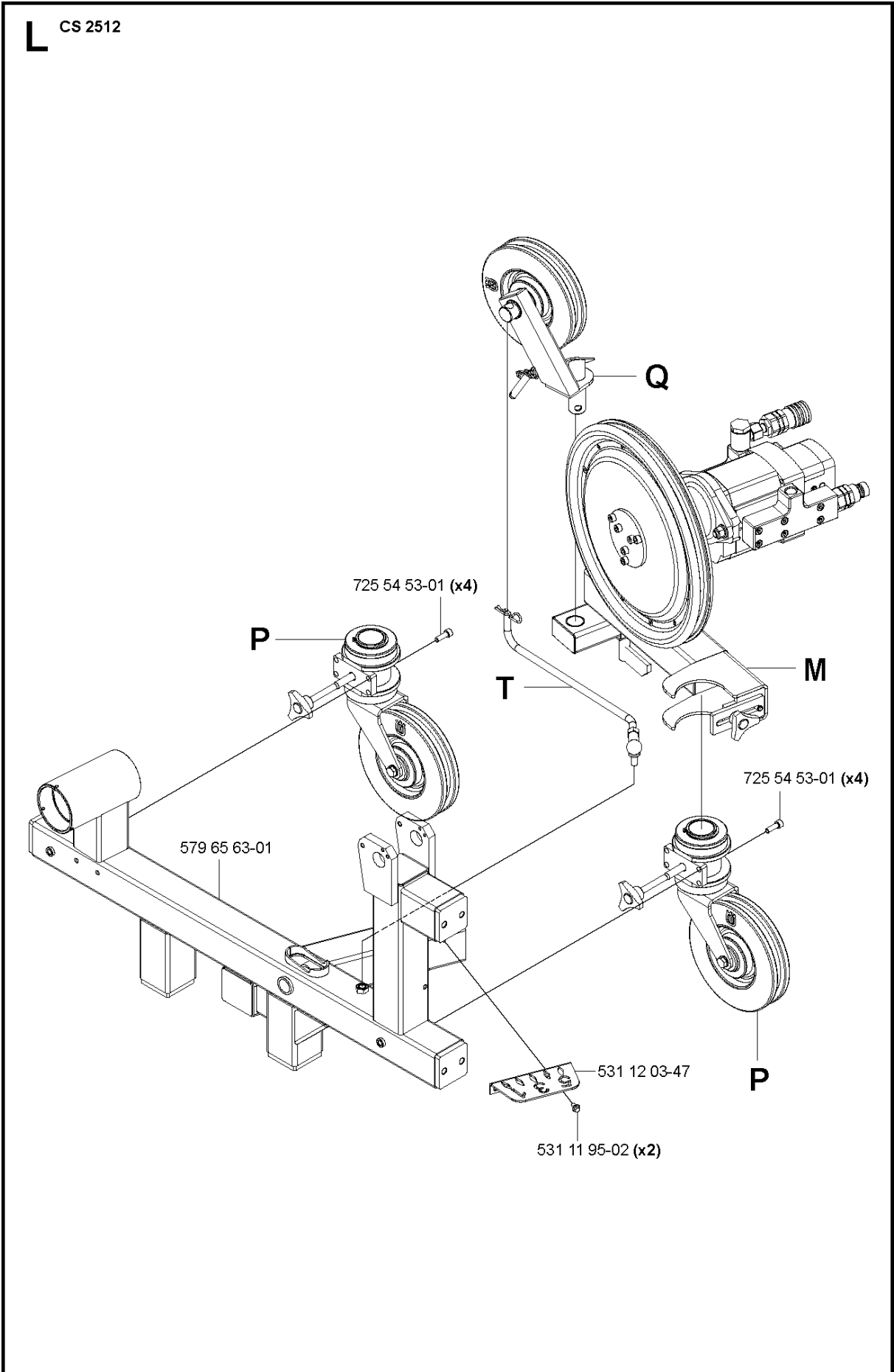
K CS 2512



SHAFT

CS2512, 2013-04, From machine number 1301-

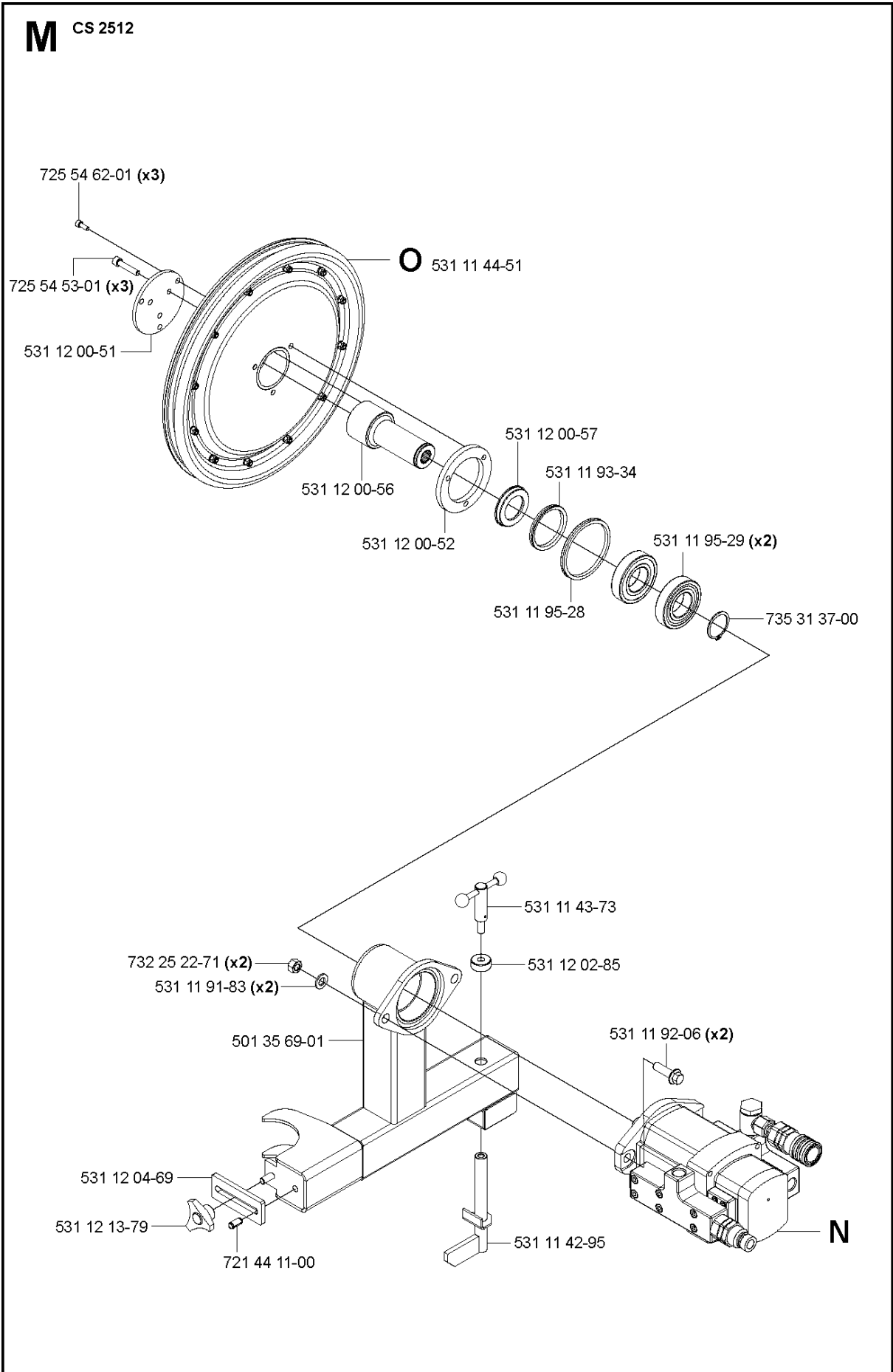
Part No	Description	Remark	QTY KIT
531 11 44-17	SHAFT		1
531 11 95-08	SPRING		1
531 11 95-50	WASHER		1
531 11 95-52	MOUNT		1
531 12 04-72	BRACKET		1
531 12 04-79	HOOK		1
531 12 04-80	HOOK		1
531 12 05-11	ROLLER		1
728 84 43-01	SCREW IHSETM		1
731 23 18-01	HEXAGON NUT		1
735 31 17-00	CIRCLIP		1
740 38 34-01	SEALING WASHER		1



FRAME

CS2512, 2013-04, From machine number 1301-

Part No	Description	Remark	QTY KIT
531 11 95-02	SCREW		1
531 12 03-47	INDEX PLATE		1
579 65 63-01	FRAME		1
725 54 53-01	SCREW IHSCM		1

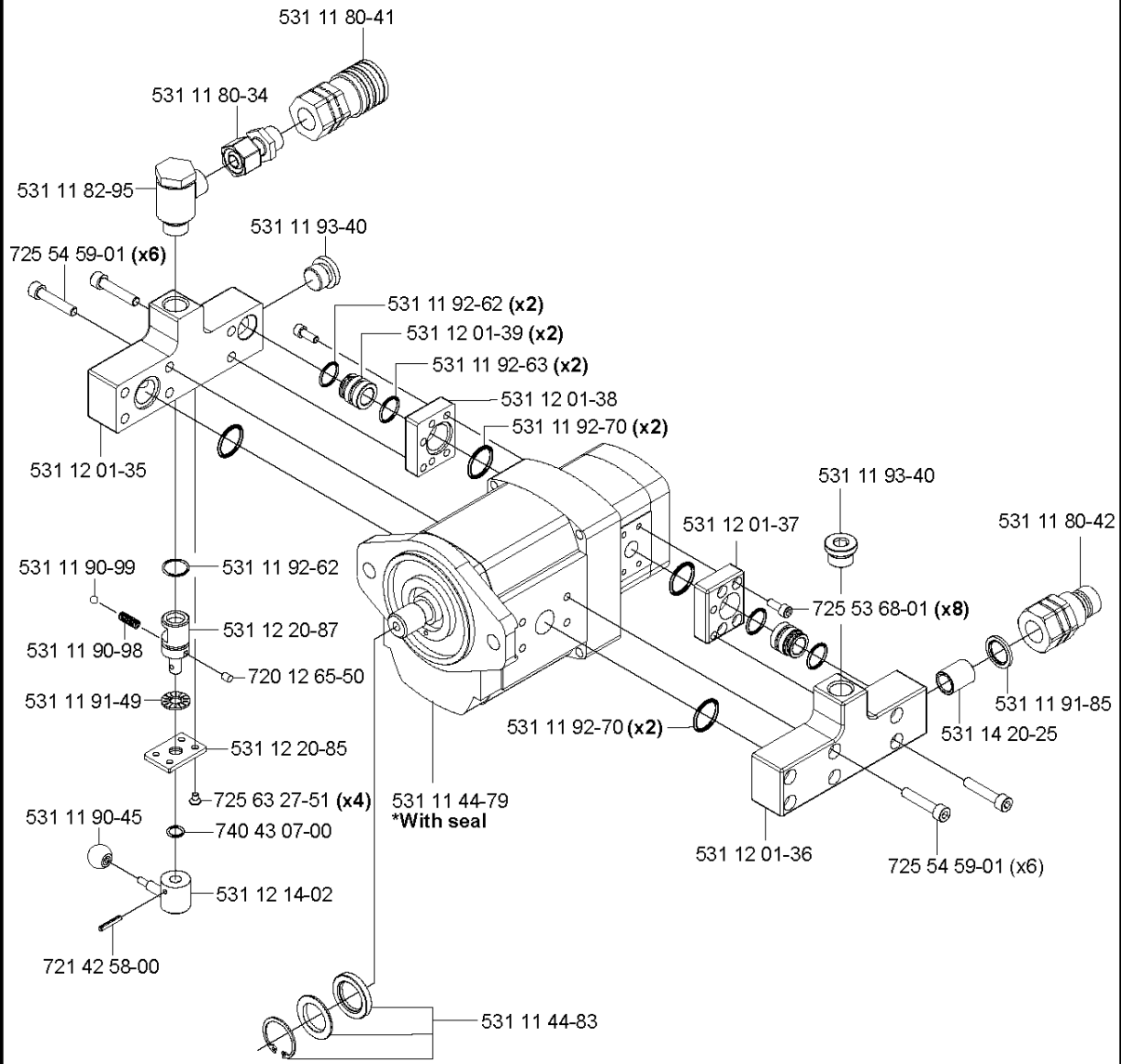


DRIVE

CS2512, 2013-04, From machine number 1301-

Part No	Description	Remark	QTY KIT
501 35 69-01	FRAME		1
531 11 42-95	CLAMP		1
531 11 43-73	LOCKING HANDLE		1
531 11 44-51	DRIVE CABLE		1
531 11 91-83	WASHER		1
531 11 92-06	SCREW		1
531 11 93-34	V-RING		1
531 11 95-28	V-RING		1
531 11 95-29	BEARING		1
531 12 00-51	HUB CAP		1
531 12 00-52	RING		1
531 12 00-56	DRIVE SHAFT		1
531 12 00-57	SEALING RING		1
531 12 02-85	WASHER		1
531 12 04-69	LOCKING PLATE		1
531 12 13-79	KNOB		1
721 44 11-00	SPRING PIN		1
725 54 53-01	SCREW IHSCM		1
725 54 62-01	SCREW IHSCM		1
732 25 22-71	HEXAGON LOCKING NUT		1
735 31 37-00	CIRCLIP		1

N CS 2512
Hydraulic motor complete 531 11 42-26



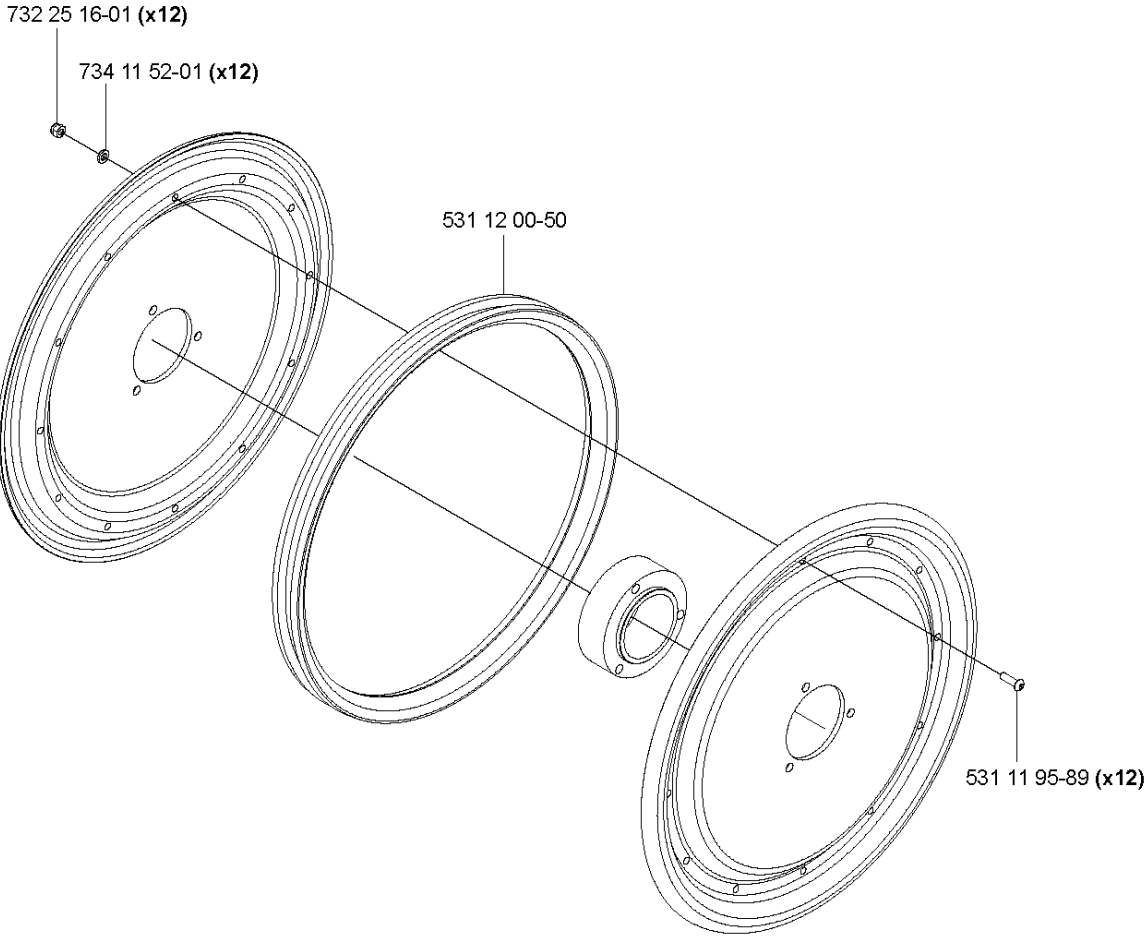
MOTOR

CS2512, 2013-04, From machine number 1301-

Part No	Description	Remark	QTY KIT
531 11 42-26	HYDRAULIC MOTOR		1
531 11 44-79	HYDRAULIC MOTOR		1
531 11 44-83	SEALING		1
531 11 80-34	CLUTCH		1
531 11 80-41	HYDRAULIC CYLINDER		1
531 11 80-42	HYDRAULIC CYLINDER		1
531 11 82-95	FITTING		1
531 11 90-45	BALL		1
531 11 90-98	SPRING		1
531 11 90-99	BALL		1
531 11 91-49	BEARING		1
531 11 91-85	SEALING RING		1
531 11 92-62	O-RING		1
531 11 92-63	O-RING		1
531 11 92-70	O-RING		1
531 11 93-40	PLUG		1
531 12 01-35	VALVE		1
531 12 01-36	BLOCK		1
531 12 01-37	ADAPTER		1
531 12 01-38	ADAPTER		1
531 12 01-39	NIPPLE		1
531 12 14-02	VALVE		1
531 12 20-85	COVER		1
531 12 20-87	VALVE		1
531 14 20-25	NIPPLE		1
720 12 65-50	PARALLEL PIN		1
721 42 58-00	SPRING PIN		1
725 53 68-01	SCREW IHSCM		1
725 54 59-01	SCREW IHSCM		1
725 63 27-51	SCREW IHCSFM		1
740 43 07-00	O-RING		1



CS 2512
Drive wheel complete 531 11 44-51

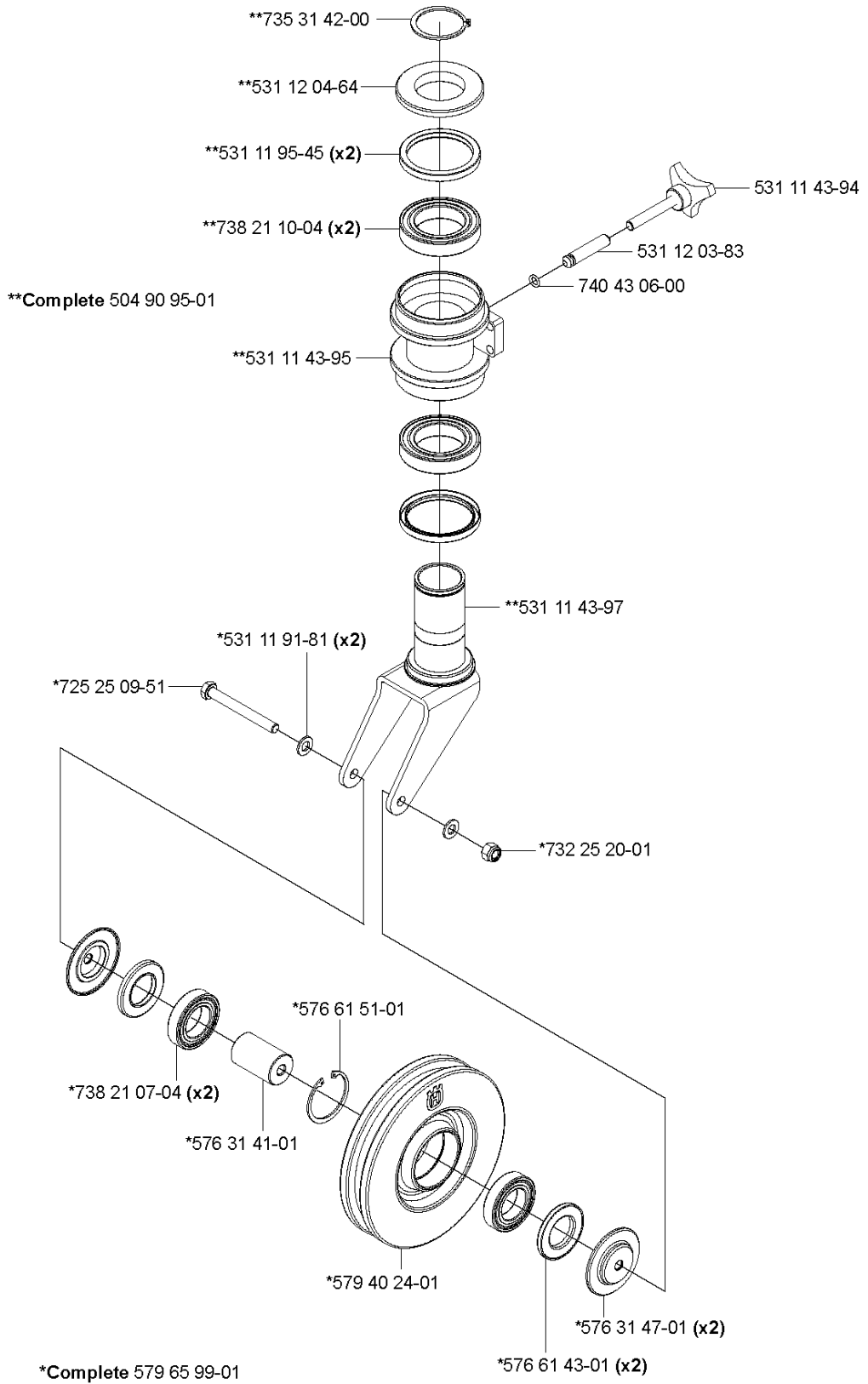


WHEELS & TIRES

CS2512, 2013-04, From machine number 1301-

Ref	Part No	Description	Remark	QTY KIT
531 11 95-89	531 11 95-89	SCREW		1
531 12 00-50	531 12 00-50	WEAR PLATE	Strip	1
531 12 00-50	587 70 15-01	RUBBER RING		1
734 11 52-01	734 11 52-01	WASHER		1
732 25 16-01	732 25 16-01	HEXAGON LOCKING NUT		1
531 11 44-51	531 11 44-51	DRIVE CABLE		1
732 25 16-01	732 25 16-01	HEXAGON LOCKING NUT		1
734 11 52-01	734 11 52-01	WASHER		1

P CS 2512 Swivel pulley complete 531 11 43-96

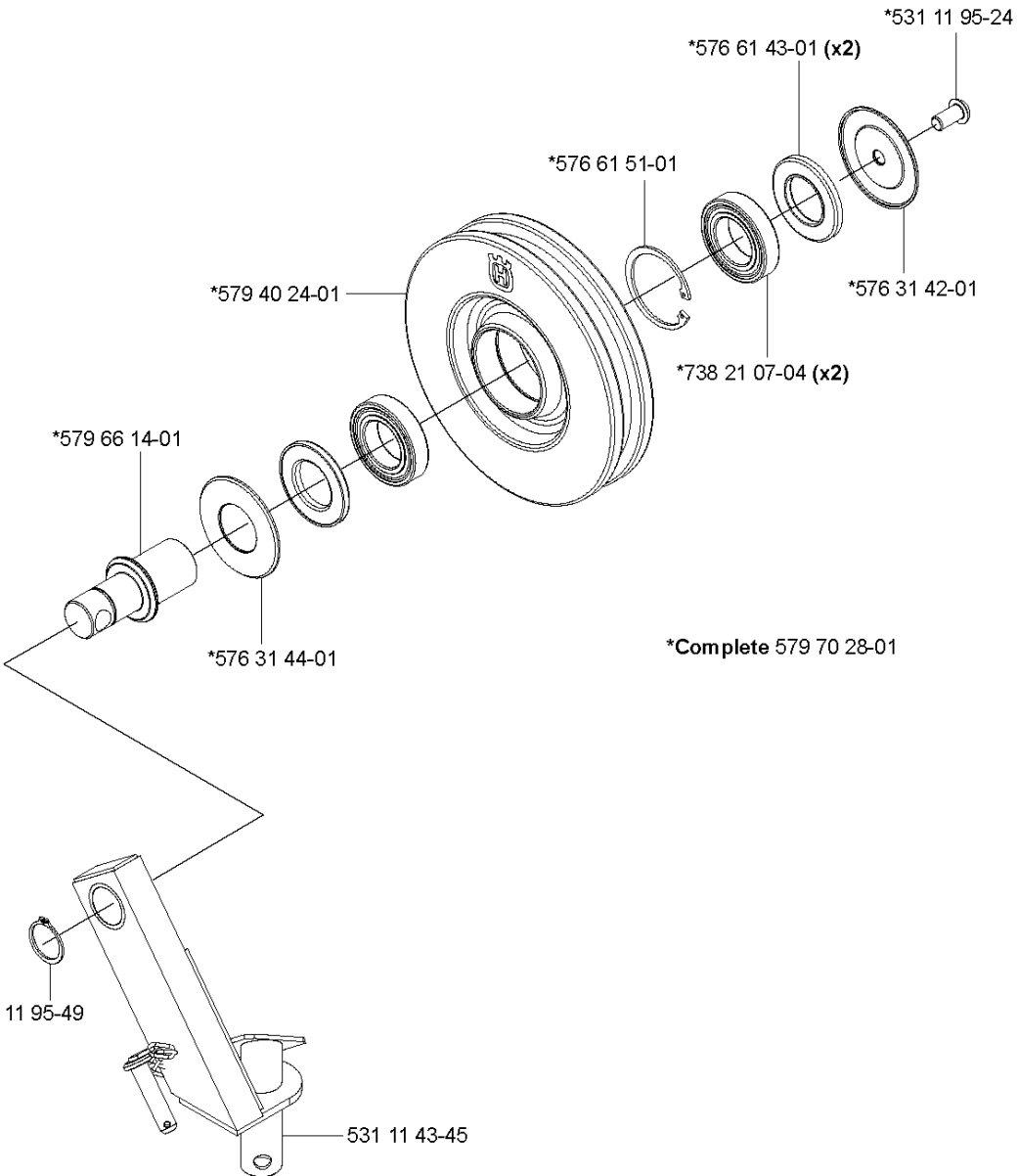


WHEELS & TIRES

CS2512, 2013-04, From machine number 1301-

Part No	Description	Remark	QTY KIT
504 90 95-01	BEARING HOUSING		1
531 11 43-94	KNOB		1
531 11 43-95	PIVOT		1
531 11 43-96	WHEEL		1
531 11 43-97	FORK		1
531 11 91-81	WASHER		1
531 11 95-45	SEALING		1
531 12 03-83	ROD		1
531 12 04-64	COVER		1
576 31 41-01	SHAFT		1
576 31 47-01	LID		1
576 61 43-01	DUST SEAL		1
576 61 51-01	CLIP		1
579 40 24-01	WHEEL		1
579 65 99-01	PULLEY ASSY		1
725 25 09-51	SCREW EHHM		1
732 25 20-01	HEXAGON LOCKING NUT		1
735 31 42-00	CIRCLIP		1
738 21 07-04	BALL BEARING		1
738 21 10-04	BALL BEARING		1
740 43 06-00	O-RING		1

Q CS 2512 Guide wheel complete 531 11 43-18

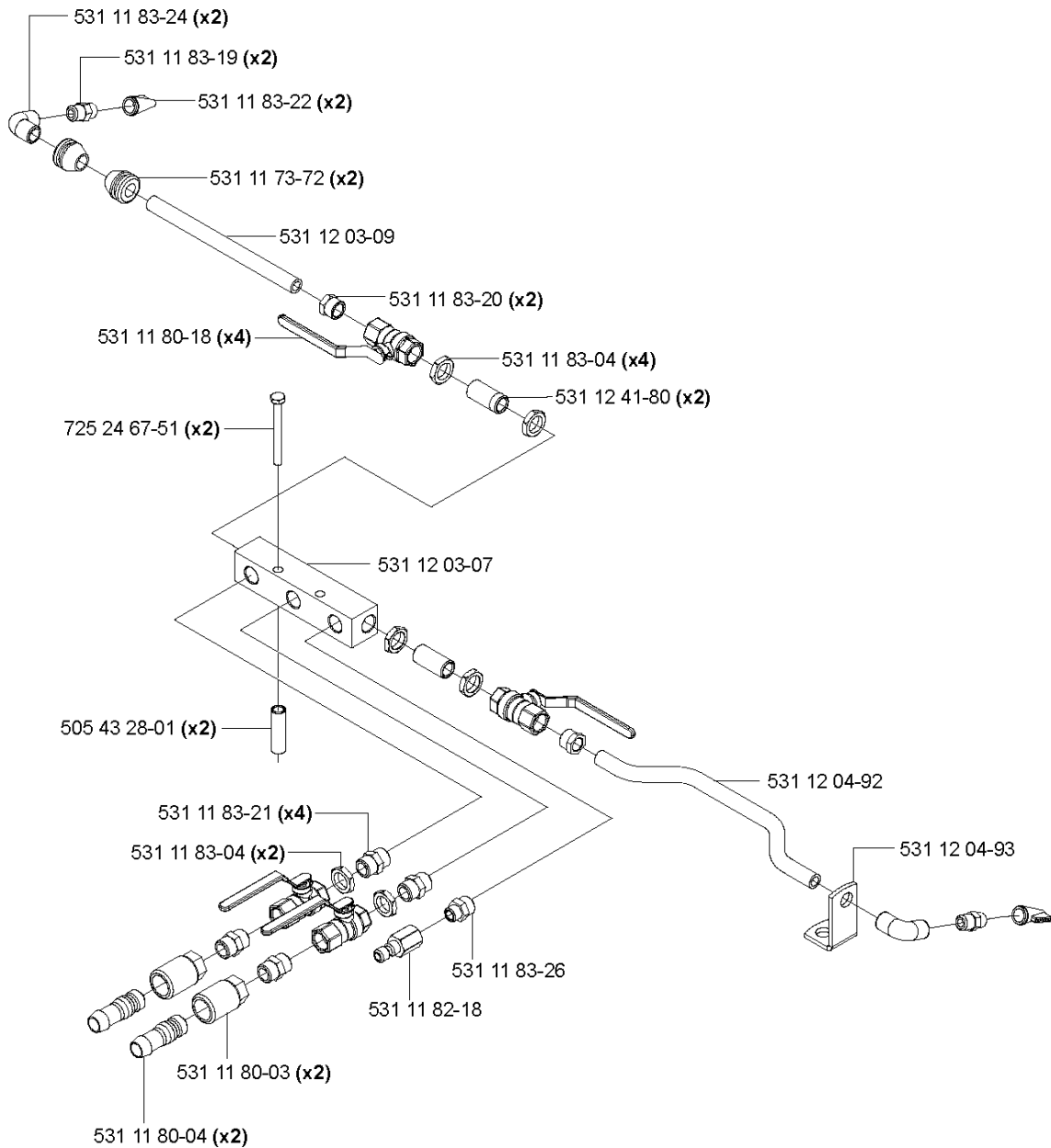


WHEELS & TIRES

CS2512, 2013-04, From machine number 1301-

Part No	Description	Remark	QTY KIT
531 11 43-18	WHEEL		1
531 11 43-45	BRACKET		1
531 11 95-24	SCREW		1
531 11 95-49	CLIP		1
576 31 42-01	LID		1
576 31 44-01	LID		1
576 61 43-01	DUST SEAL		1
576 61 51-01	CLIP		1
579 40 24-01	WHEEL		1
579 66 14-01	SHAFT		1
579 70 28-01	PULLEY		1
738 21 07-04	BALL BEARING		1

S CS 2512

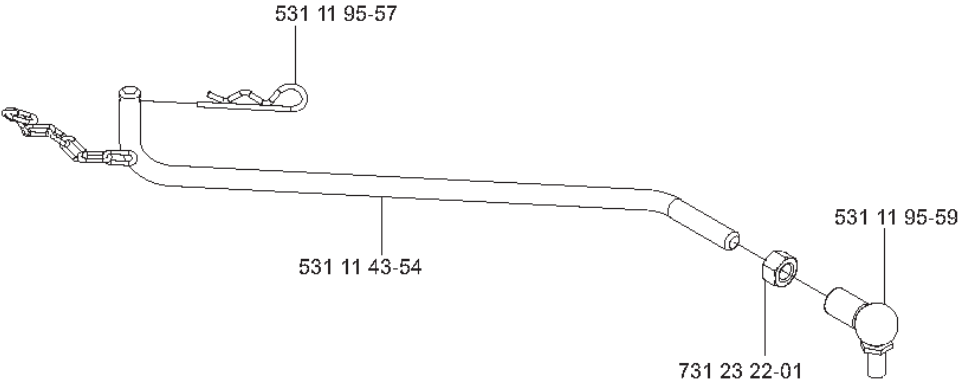


SPRAY SYSTEM

CS2512, 2013-04, From machine number 1301-

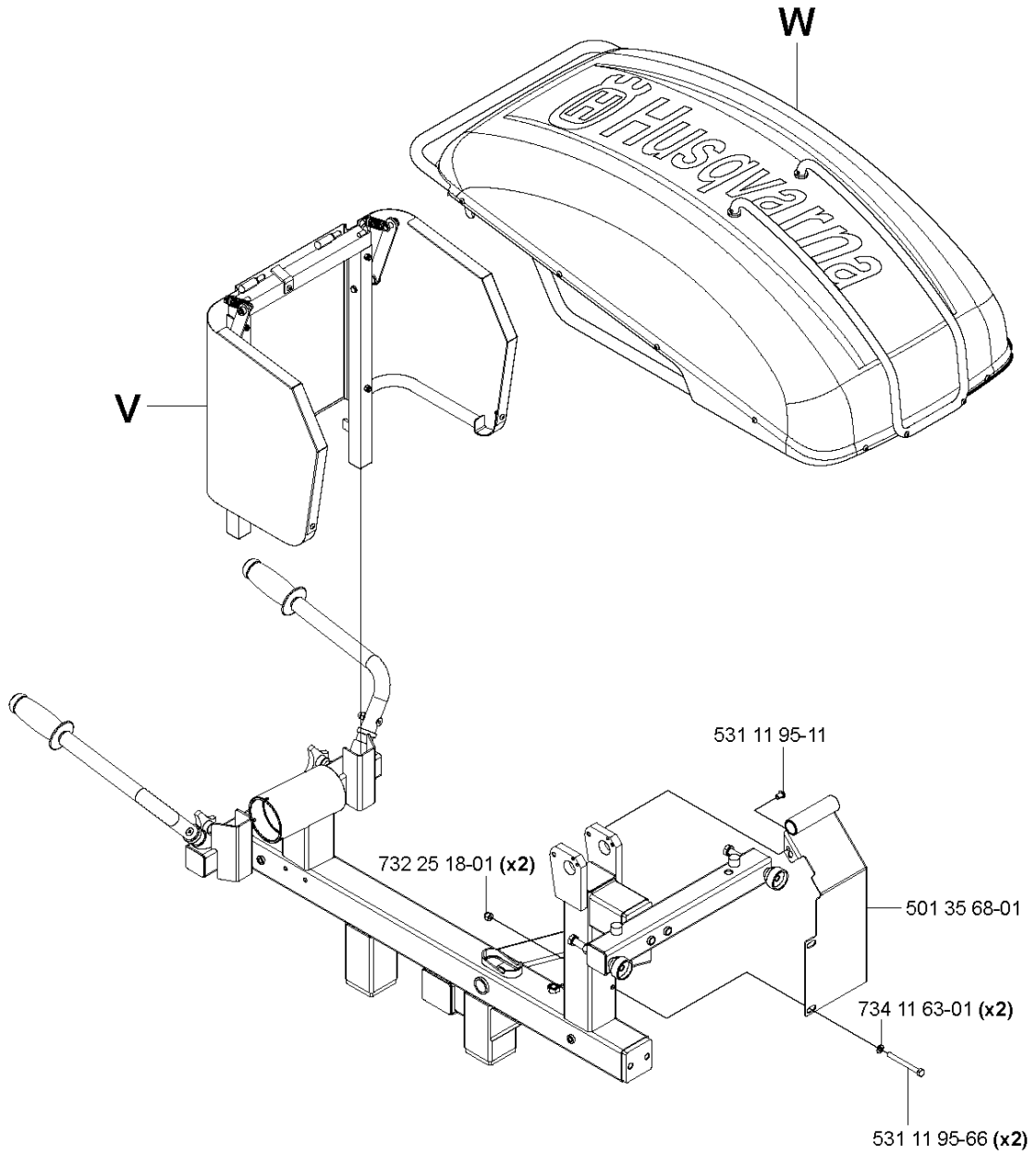
Part No	Description	Remark	QTY KIT
505 43 28-01	SLEEVE		1
531 11 73-72	GROMMET		1
531 11 80-03	COUPLING		1
531 11 80-04	NIPPLE		1
531 11 80-18	VALVE		1
531 11 82-18	QUICK COUPLING		1
531 11 83-04	NUT		1
531 11 83-19	NIPPLE		1
531 11 83-20	BUSHING		1
531 11 83-21	NIPPLE		1
531 11 83-22	ANGLE BRACKET		1
531 11 83-24	COUPLING		1
531 11 83-26	NIPPLE		1
531 12 03-07	BLOCK		1
531 12 03-09	TUBE		1
531 12 04-92	TUBE		1
531 12 04-93	BRACKET		1
531 12 41-80	NIPPLE		1
725 24 67-51	SCREW EHHM		1

T CS 2512



Part No	Description	Remark	QTY KIT
531 11 43-54	ROD		1
531 11 95-57	LOCKING PIN		1
531 11 95-59	ANGLE BRACKET		1
731 23 22-01	HEXAGON NUT		1

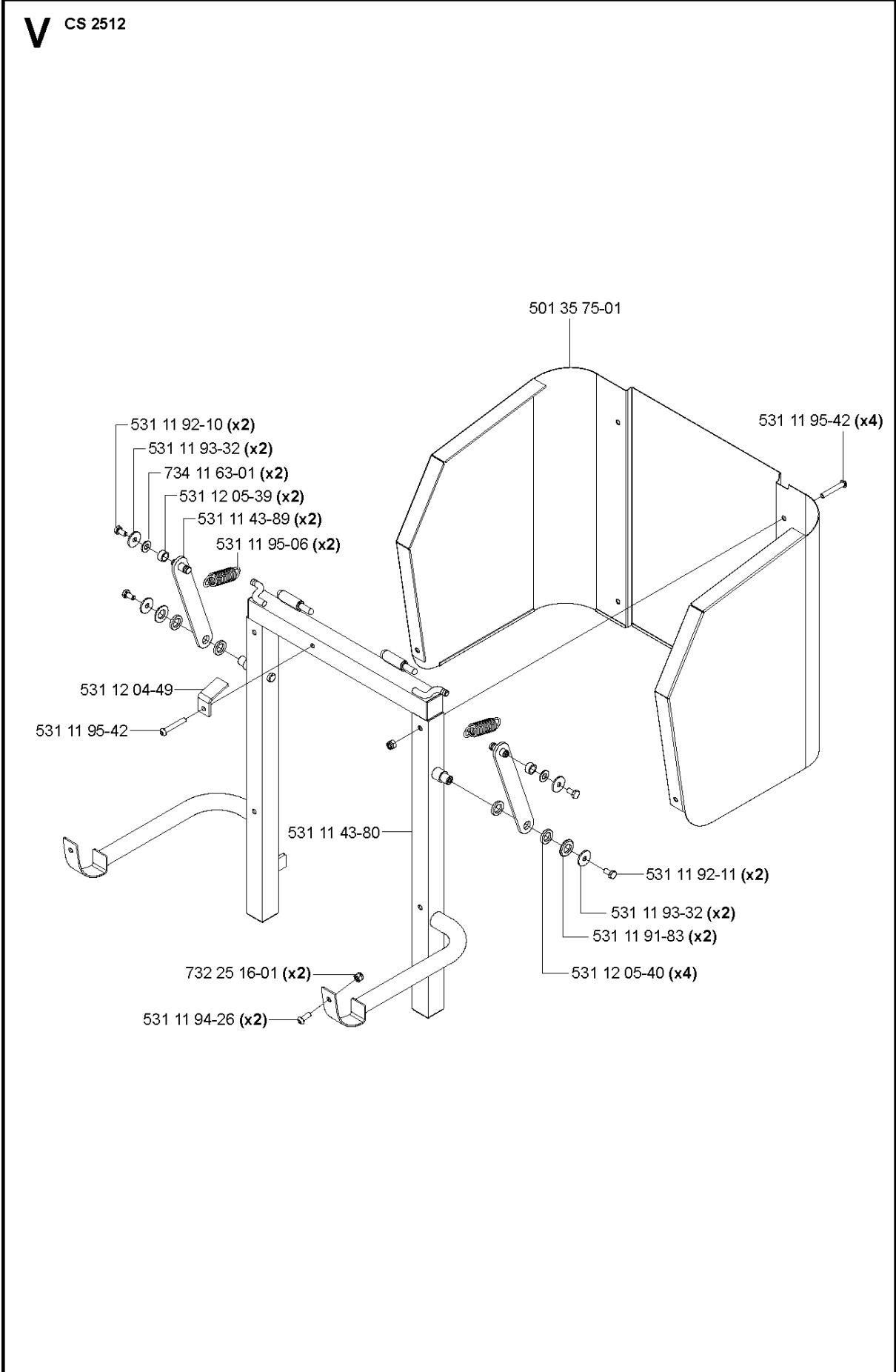
U CS 2512



GUARDS

CS2512, 2013-04, From machine number 1301-

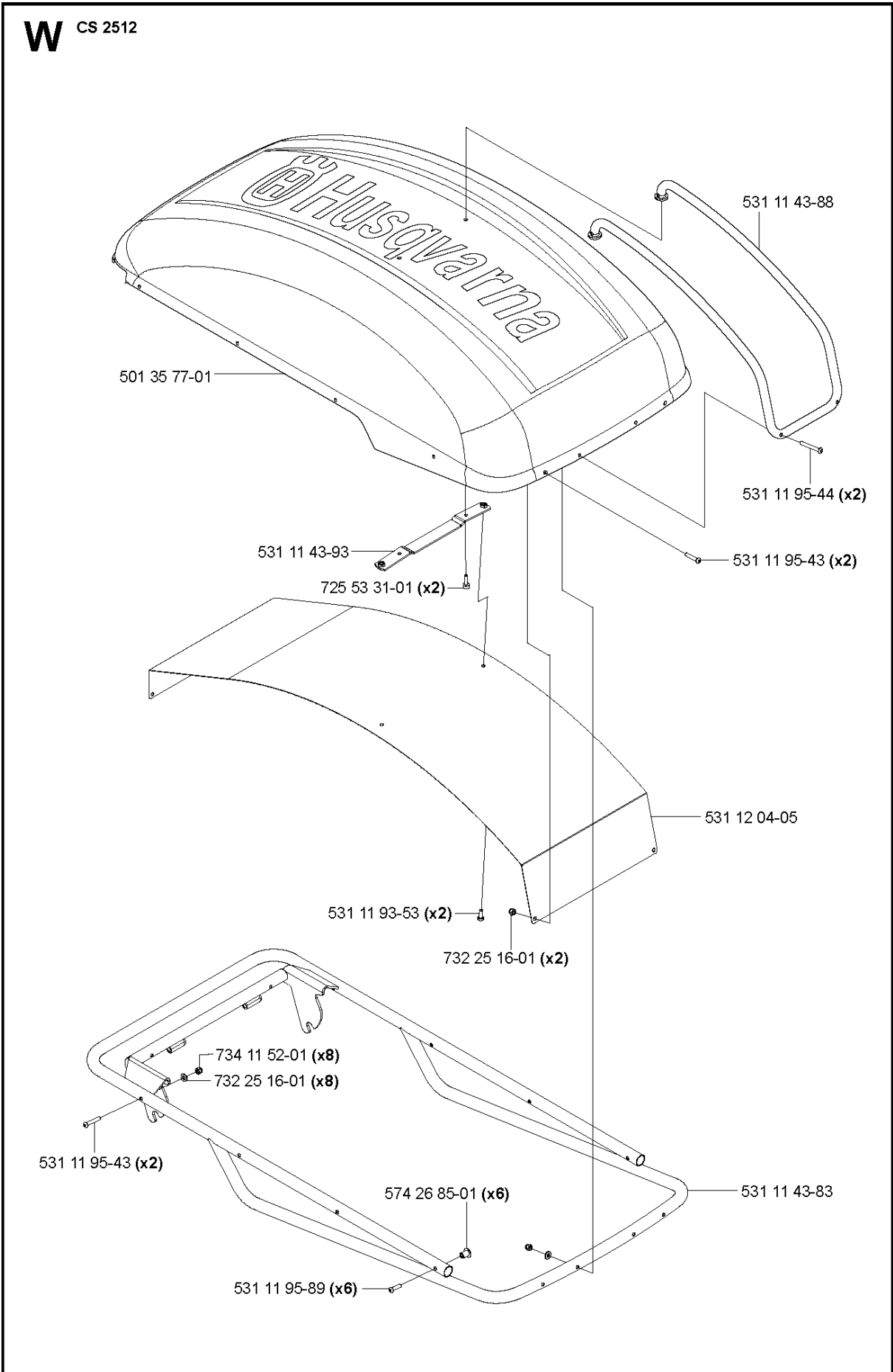
Part No	Description	Remark	QTY KIT
501 35 68-01	GUARD		1
531 11 95-11	SCREW		1
531 11 95-66	SCREW		1
732 25 18-01	HEXAGON LOCKING NUT		1
734 11 63-01	WASHER		1



GUARDS

CS2512, 2013-04, From machine number 1301-

Part No	Description	Remark	QTY KIT
501 35 75-01	PROTECTIVE PLATE		1
531 11 43-80	FRAME		1
531 11 43-89	BAR		1
531 11 91-83	WASHER		1
531 11 92-10	SCREW		1
531 11 92-11	SCREW		1
531 11 93-32	WASHER		1
531 11 94-26	SCREW		1
531 11 94-26	SCREW		1
531 11 95-06	SPRING		1
531 11 95-42	SCREW		1
531 12 04-49	STOP		1
531 12 05-39	SLEEVE		1
531 12 05-40	WASHER		1
732 25 16-01	HEXAGON LOCKING NUT		1
734 11 63-01	WASHER		1

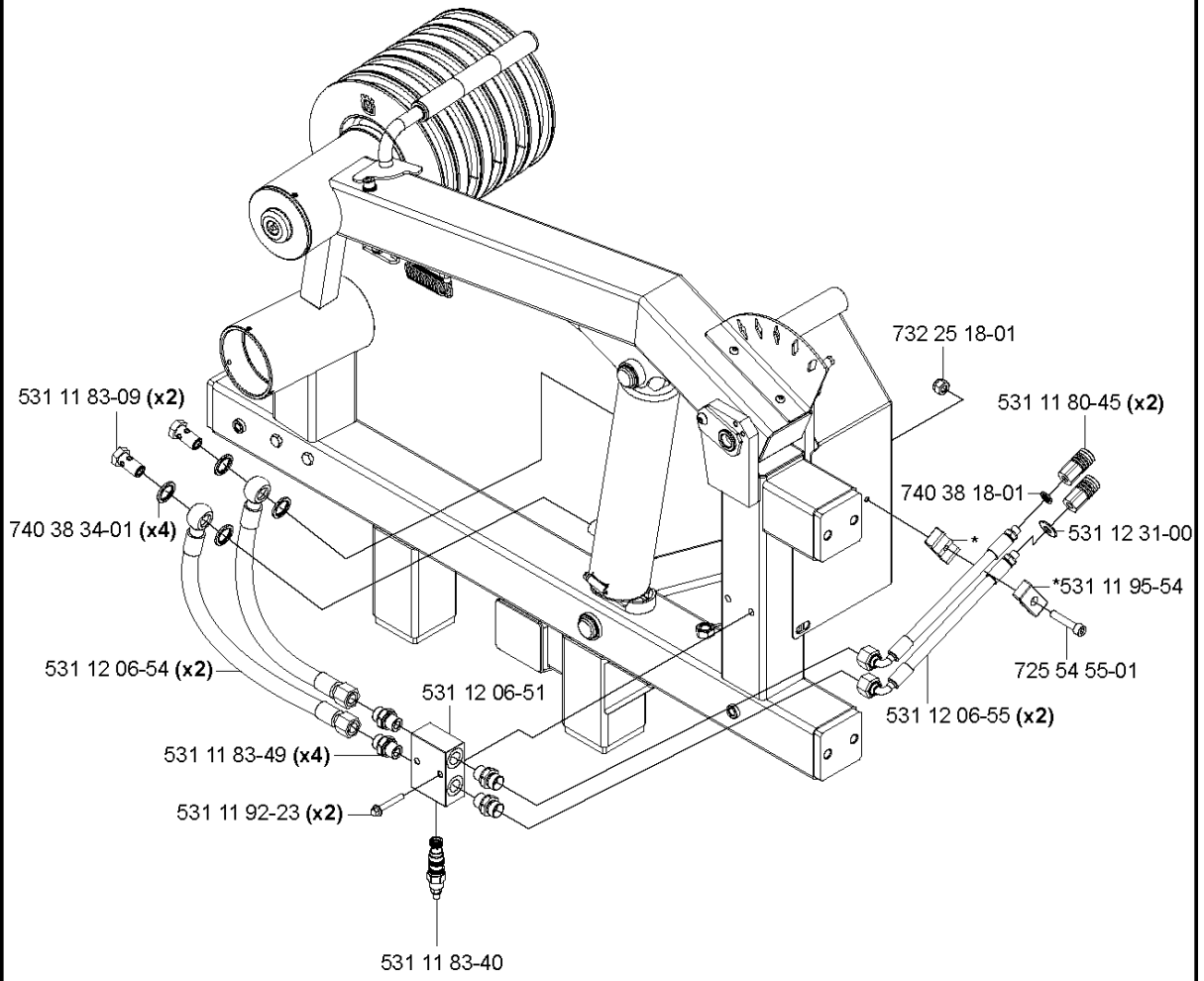


GUARDS

CS2512, 2013-04, From machine number 1301-

Part No	Description	Remark	QTY KIT
501 35 77-01	PROTECTIVE COVER		1
531 11 43-83	FRAME		1
531 11 43-88	HANDLE		1
531 11 43-93	BRACKET		1
531 11 93-53	SCREW		1
531 11 95-43	SCREW		1
531 11 95-44	SCREW		1
531 11 95-89	SCREW		1
531 12 04-05	COVER		1
574 26 85-01	NUT		1
725 53 31-01	SCREW IHSCM		1
732 25 16-01	HEXAGON LOCKING NUT		1
732 25 16-01	HEXAGON LOCKING NUT		1
734 11 52-01	WASHER		1
734 11 52-01	WASHER		1

X CS 2512

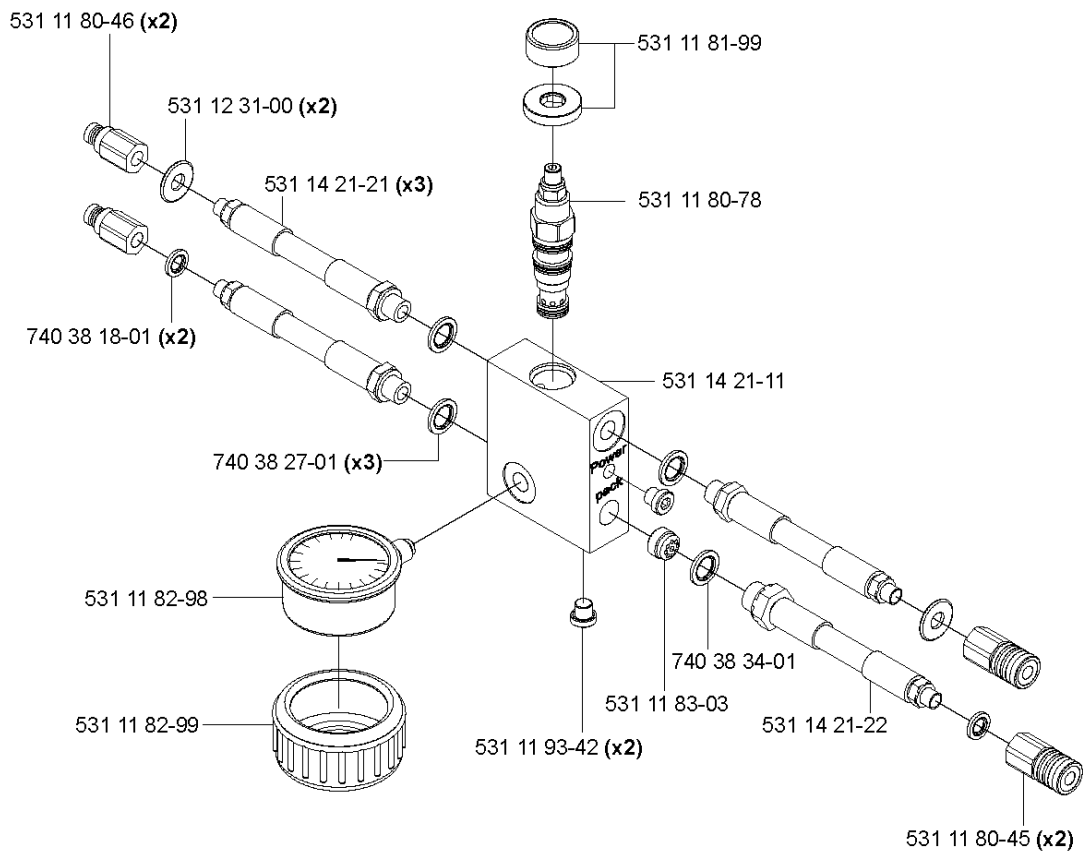


HYDRAULIC BLOCK

CS2512, 2013-04, From machine number 1301-

Part No	Description	Remark	QTY KIT
531 11 80-45	HYDRAULIC CYLINDER		1
531 11 83-09	SCREW		1
531 11 83-40	VALVE ASSY		1
531 11 83-49	COUPLING		1
531 11 92-23	SCREW		1
531 11 95-54	CLAMP		1
531 12 06-51	VALVE		1
531 12 06-54	HOSE KIT		1
531 12 06-55	HOSE		1
531 12 31-00	WASHER		1
725 54 55-01	SCREW IHSCM		1
732 25 18-01	HEXAGON LOCKING NUT		1
740 38 18-01	SEALING WASHER		1
740 38 34-01	SEALING WASHER		1

Y CS 2512
Pressure reducing block
compl. 531 11 44-26



HYDRAULIC CONTROL VALVE

CS2512, 2013-04, From machine number 1301-

Part No	Description	Remark	QTY KIT
531 11 44-26	VALVE		1
531 11 80-45	HYDRAULIC CYLINDER		1
531 11 80-46	HYDRAULIC CYLINDER		1
531 11 80-78	/PP345E		1
531 11 81-99	KNOB		1
531 11 82-98	MANOMETER		1
531 11 82-99	PROTECTION		1
531 11 83-03	CHECK VALVE		1
531 11 93-42	PLUG		1
531 12 31-00	WASHER		1
531 14 21-11	BLOCK		1
531 14 21-21	HOSE		1
531 14 21-22	HOSE		1
740 38 18-01	SEALING WASHER		1
740 38 27-01	SEALING WASHER		1
740 38 34-01	SEALING WASHER		1