

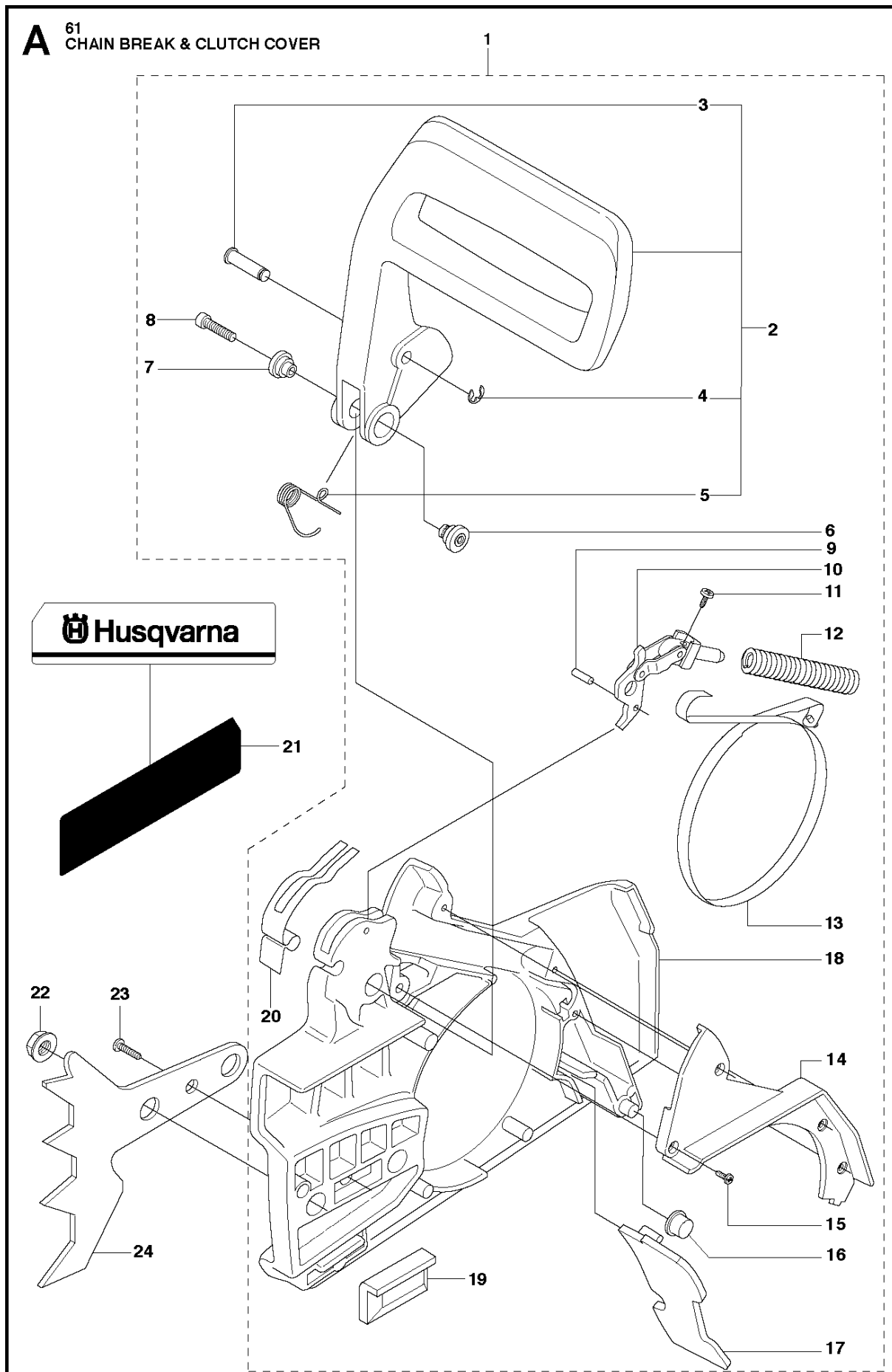


# SPARE PARTS LIST

CHAIN SAWS

61. 2018-06

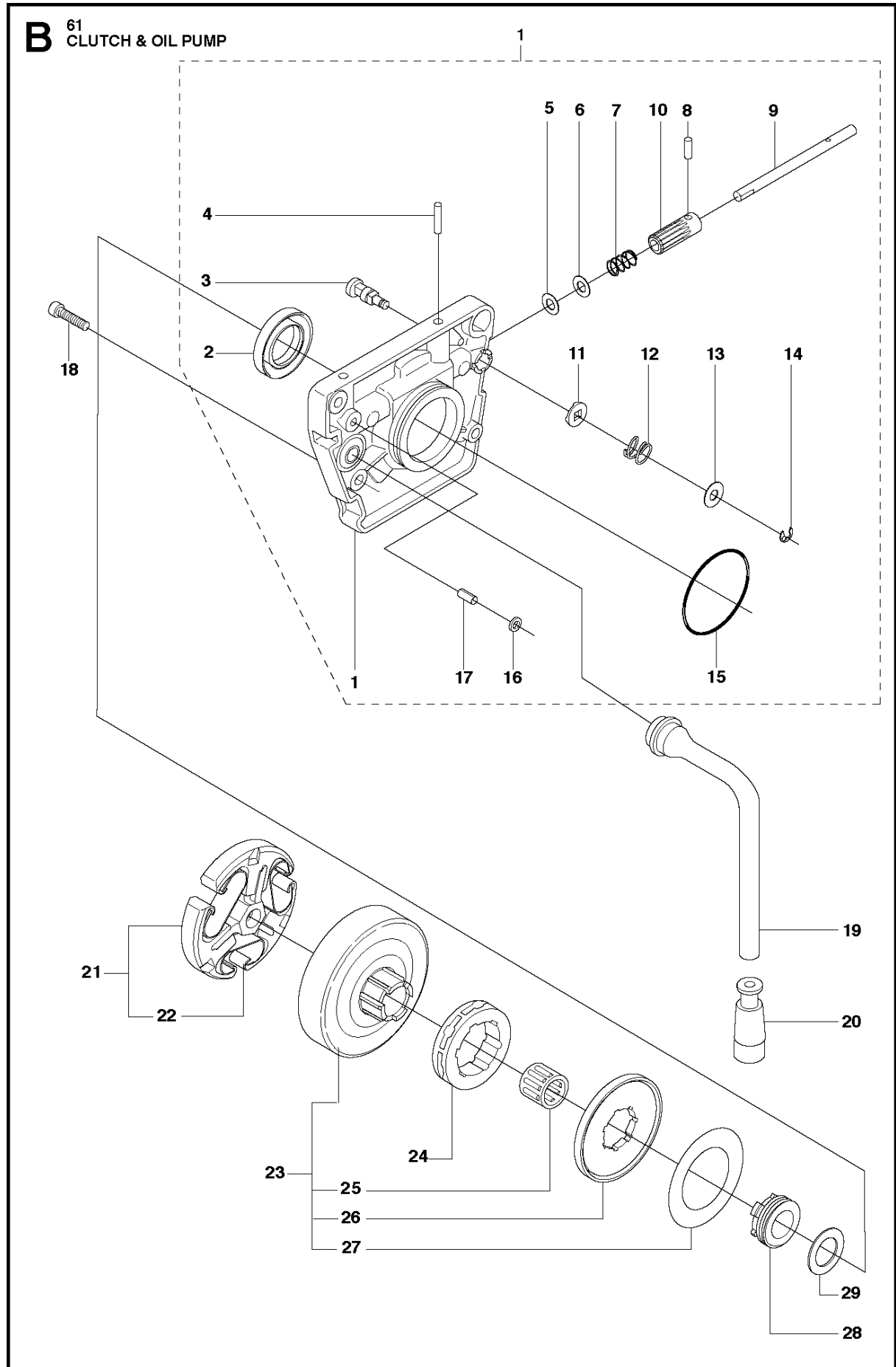
**A** 61 CHAIN BREAK & CLUTCH COVER



## CHAIN BRAKE &amp; CLUTCH COVER

61. 2018-06

Ref	Part No	Description	Remark	QTY	KIT
1	503 73 66-01	CLUTCH COVER ASSY		1	
2	503 72 74-01	HAND GUARD ASSY		1	1
3	503 80 27-01	PIVOT PIN		1	2, 1
4	735 31 08-20	E-CLIP		1	2, 1
5	506 16 48-01	POSITION SPRING		1	2, 1
6	503 52 08-01	SHAFT PIVOT		1	1
7	501 76 80-01	SHAFT PIVOT		1	1
8	503 20 26-16	SCREW IHSCM		1	1
9	720 12 33-51	PARALLEL PIN		1	1
10	501 87 53-03	KNEE JOINT		1	1
11	503 21 28-10	SCREW CCRPANT		1	1
12	503 70 99-01	BRAKE SPRING		1	1
13	503 70 40-01	BRAKE BAND ASSY		1	1
14	503 70 47-01	LID		1	1
15	503 21 28-10	SCREW CCRPANT		4	1
16	503 72 31-01	BUSHING		1	1
17	503 73 05-01	CHIP GUARD		1	1
18	503 70 46-01	CLUTCH COVER		1	1
19	501 51 72-01	CHAIN GUIDE		1	1
20	501 87 47-01	SPRING		1	1
21	503 76 81-01	LABEL		1	
22	503 22 00-01	HEXAGON NUT		2	
23	725 53 27-55	SCREW IHSCM		1	
24	503 59 07-01	SPIKE OUTER		1	

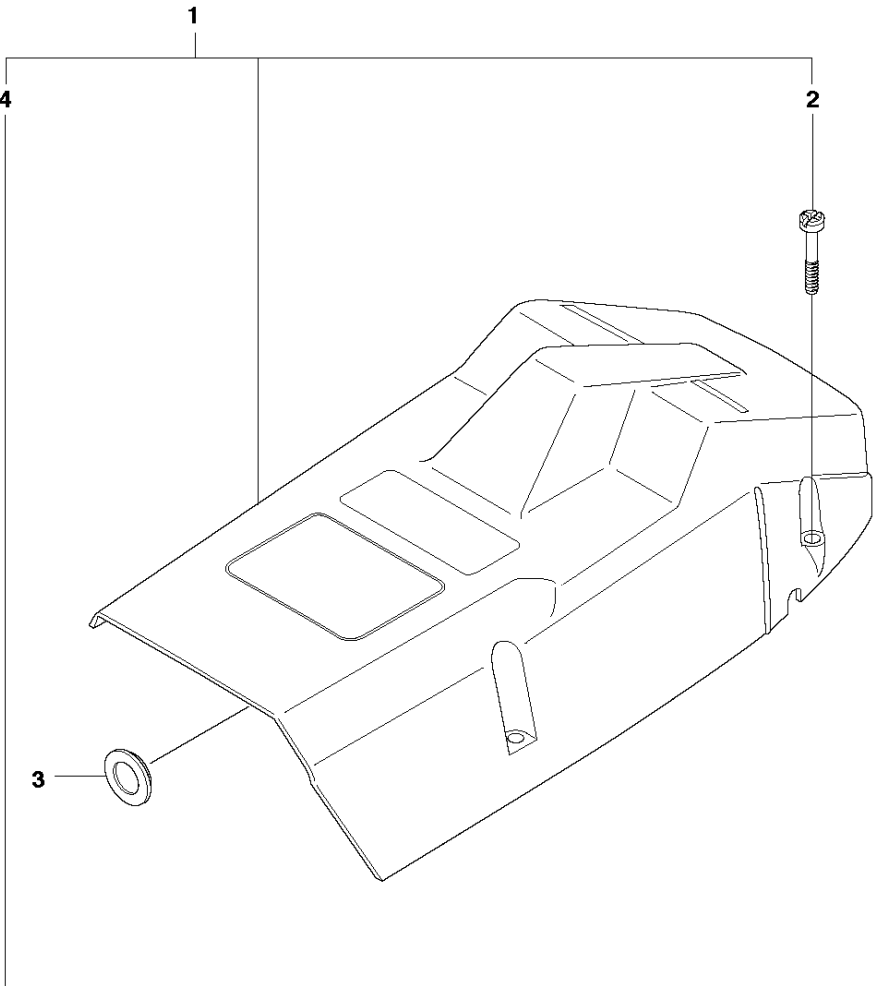


## CLUTCH &amp; OIL PUMP

61. 2018-06

Ref	Part No	Description	Remark	QTY	KIT
1	501 51 25-01	OIL PUMP ASSY		1	
2	503 26 02-04	SEALING RING		1	1
3	501 51 36-01	ADJUSTMENT SCREW		1	1
4	720 12 37-50	PARALLEL PIN		1	1
5	503 23 10-01	WASHER		1	1
6	503 23 00-16	WASHER		1	1
7	501 51 34-01	SPRING		1	1
8	501 51 33-01	STOP SCREW		1	1
9	501 51 32-01	SHAFT		1	1
10	501 51 31-01	GEAR WHEEL		1	1
11	501 51 37-01	FIXING WASHER		1	1
12	501 51 39-01	SPRING		1	1
13	734 48 48-01	WASHER		1	1
14	735 31 07-20	E-CLIP		1	1
15	740 42 21-00	O-RING		1	1
16	501 28 85-01	X-RING 2.9X6.46X1.78		1	1
17	721 42 03-25	PINNE FRP-LS3X6 OXSV		1	1
18	725 52 93-56	SCREW IHSCM		3	
19	501 51 99-01	OIL HOSE		1	
20	501 54 41-02	OIL SCREEN		1	
21	503 74 44-02	CLUTCH ASSY		1	
22	537 36 06-01	CLUTCH SPRING		3	21
23	501 83 15-04	CLUTCH DRUM ASSY	3/8x7	1	
23	501 83 15-03	CLUTCH DRUM ASSY	3/8x8	1	
24	501 59 80-02	RIM	3/8x7	1	
24	505 30 36-61	RIM	3/8x8	1	
25	503 25 34-01	NEEDLE BEARING		1	23
26	501 83 17-01	WASHER		1	23
27	501 53 59-01	WASHER		1	23
28	501 51 38-01	GEAR WHEEL		1	
29	503 23 00-13	WASHER		1	

**C** 61  
COVER

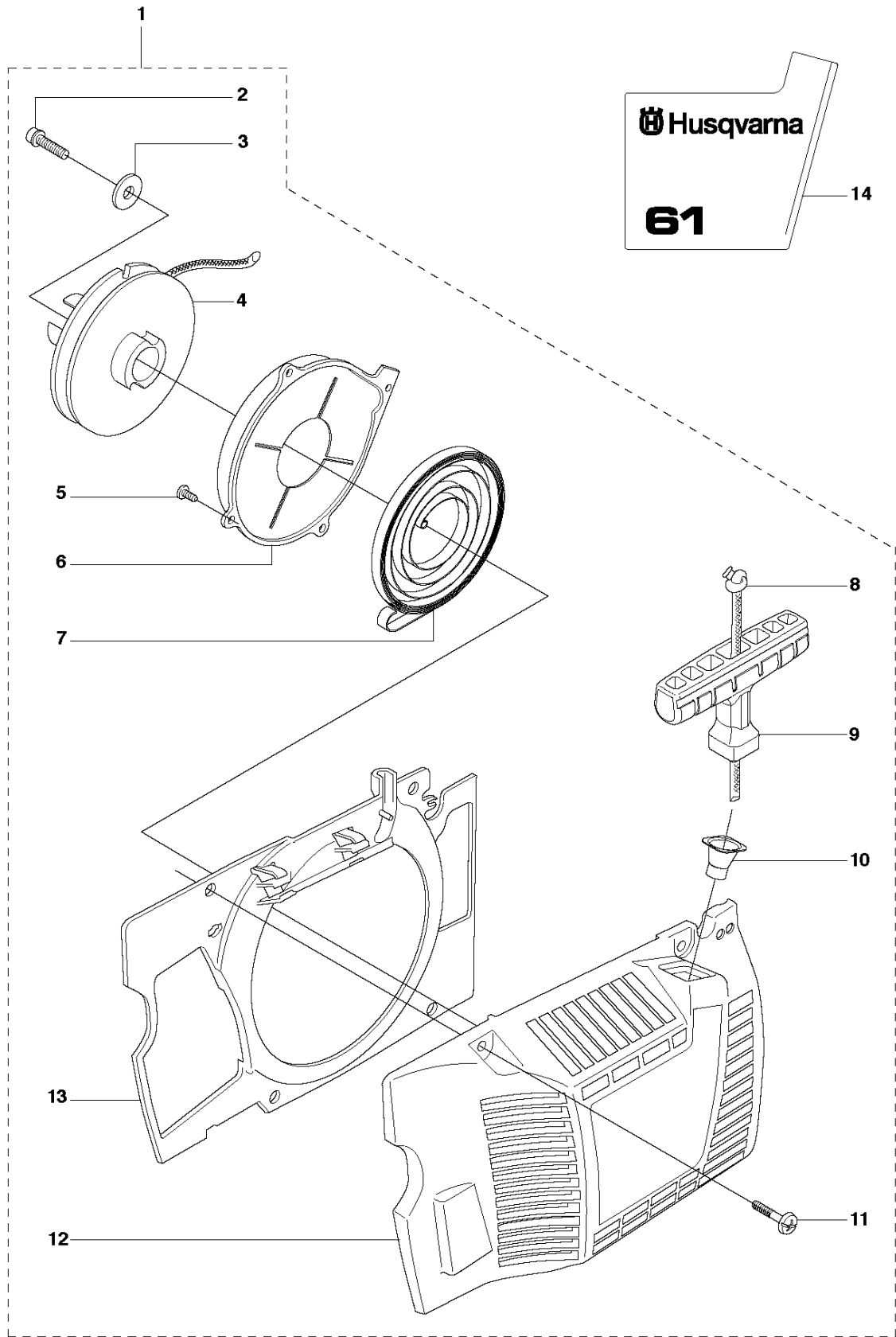


COVER

61. 2018-06

Ref	Part No	Description	Remark	QTY	KIT
1	503 61 00-04	CYLINDER COVER ASSY		1	
2	503 20 32-28	SCREW CCRPANMO		4	1
3	503 40 59-01	WINTER PLUG		1	
4	503 98 74-01	LABEL		1	1

**D** 61  
STARTER



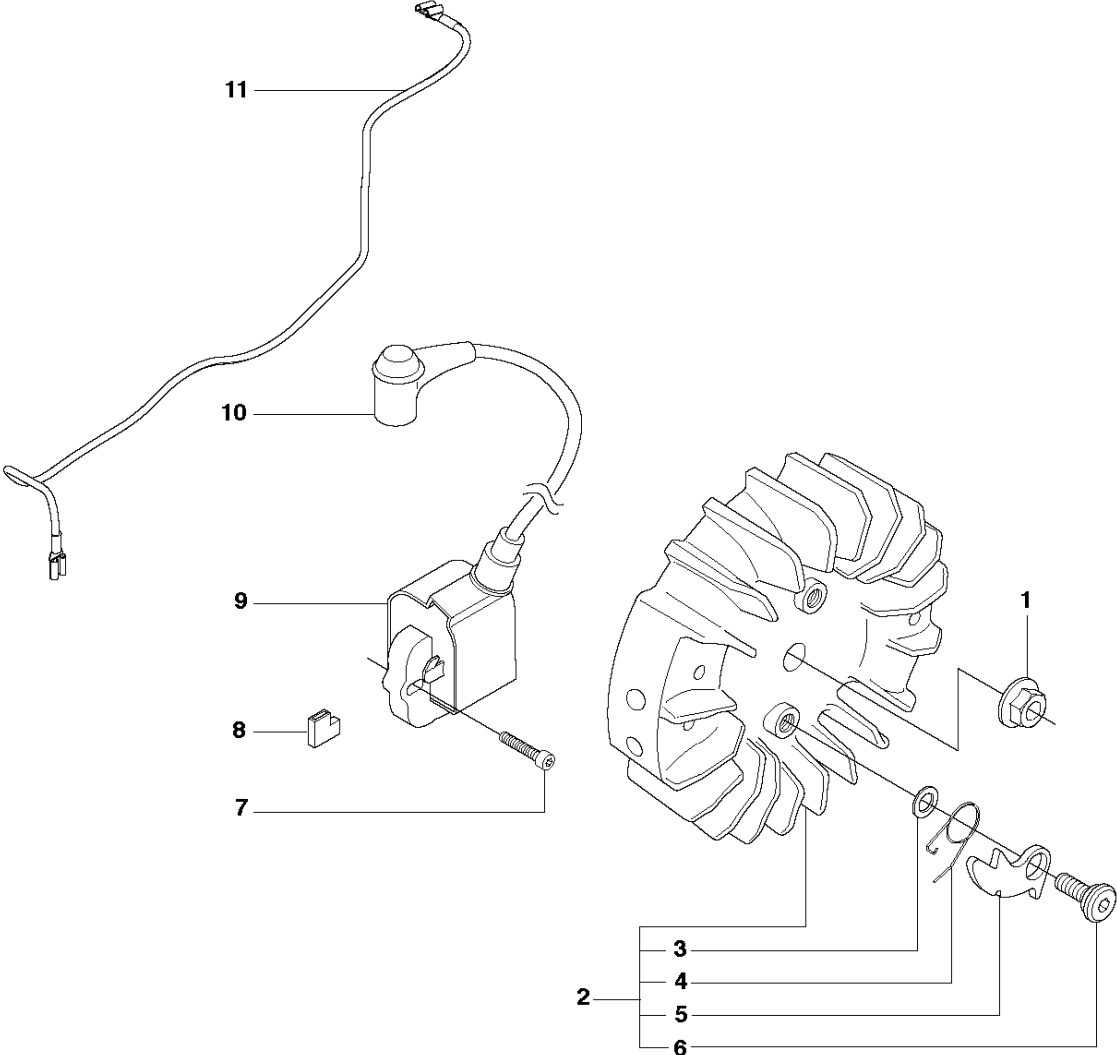


## STARTER

61. 2018-06

Ref	Part No	Description	Remark	QTY	KIT
1	503 61 55-71	STARTER ASSY		1	
2	503 21 49-72	SCREW IHSCFT		1	1
3	503 23 43-02	WASHER		1	1
4	503 10 24-05	STARTER PULLEY		1	1
5	503 21 28-06	SCREW CCRPANT		2	1
6	501 52 95-02	GUARD RING		1	1
7	501 52 04-02	RECOIL SPRING		1	1
8	501 20 15-02	STARTER CORD		1	1
9	503 54 39-01	STARTER HANDLE		1	1
10	501 63 06-01	SLEEVE		1	1
11	503 20 34-16	SCREW CCRPANMO		4	1
12	503 61 56-01	STARTER HOUSING		1	1
13	501 65 92-01	AIR CONDUCTOR		1	1
14	503 62 39-01	LABEL		1	

**E** 61  
ELECTRICAL

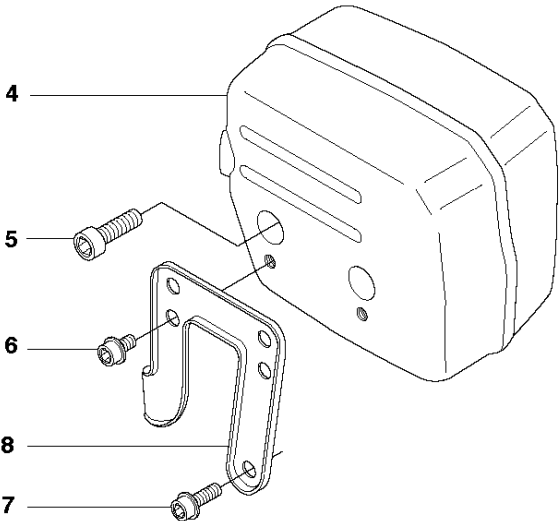
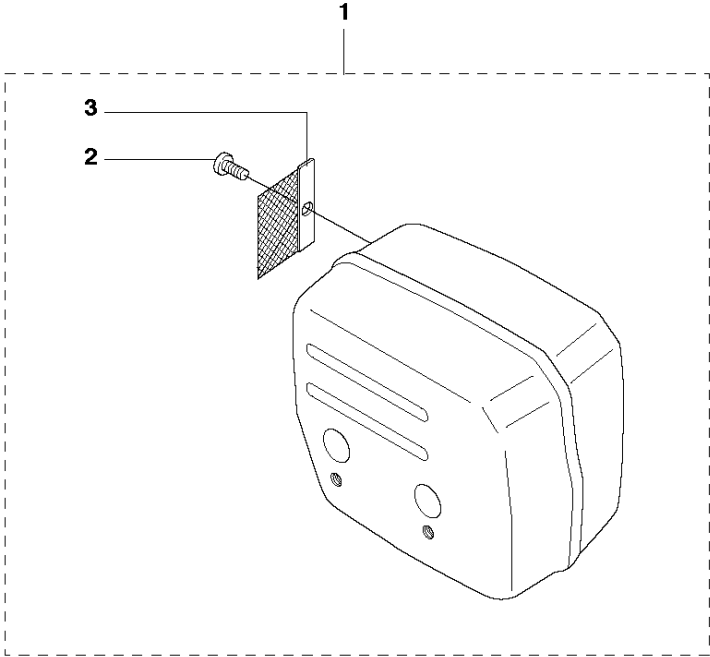


## ELECTRICAL

61. 2018-06

Ref	Part No	Description	Remark	QTY	KIT
1	503 22 04-01	NUT		1	
2	537 05 16-02	FLYWHEEL ASSY		1	
3	503 23 00-42	WASHER		2	2
4	501 67 35-01	SPRING		2	2
5	501 67 32-01	PAWL		2	2
6	501 81 99-01	SCREW		2	2
7	503 20 25-20	SCREW IHSCM		2	
8	503 23 72-02	INSULATING CAP		1	
9	587 32 96-01	IGNITION MODULE		1	
10	501 48 54-02	SPARK PLUG CAP		1	
11	501 83 98-01	CABLE		1	

**F** 61  
MUFFLER

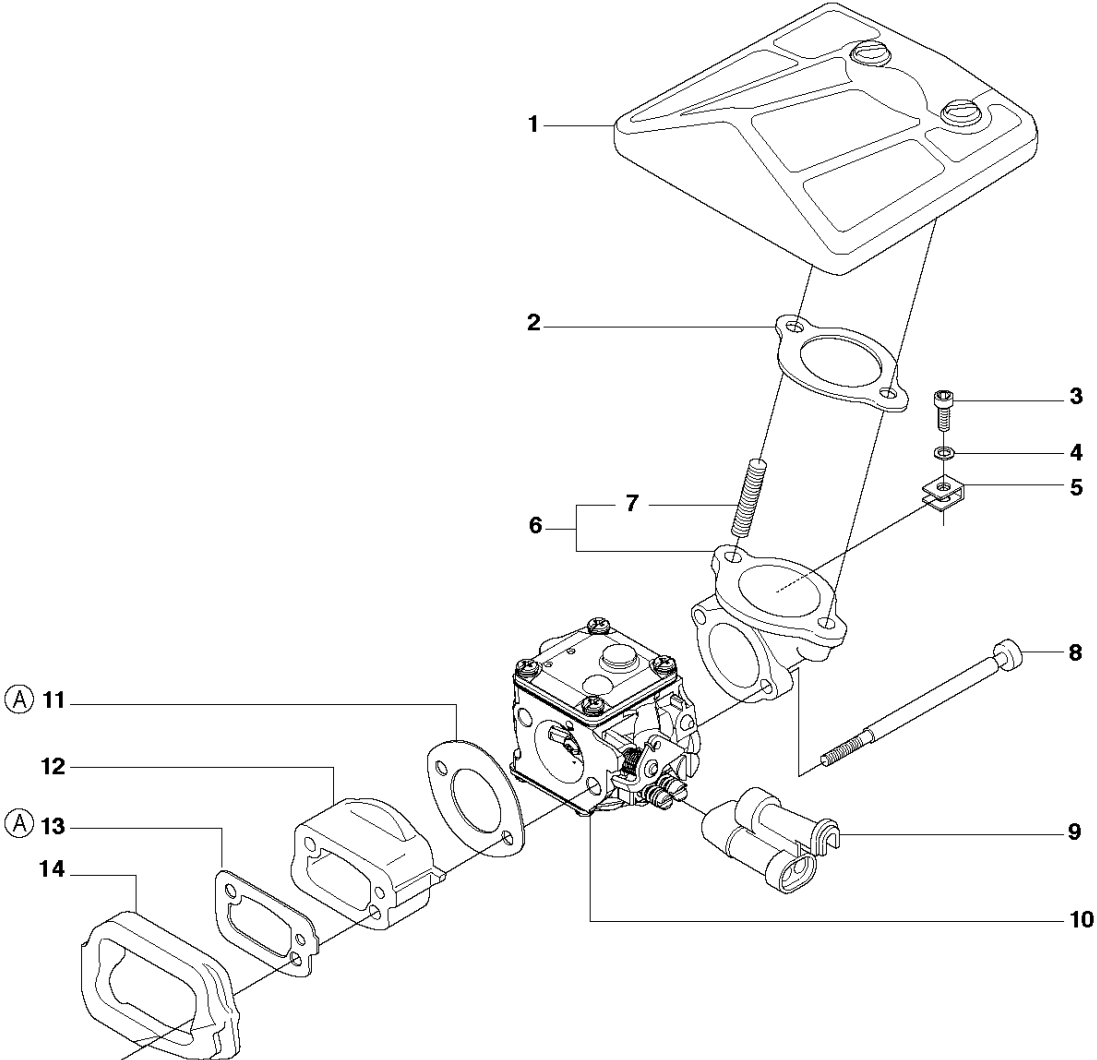


## MUFFLER

61. 2018-06

Ref	Part No	Description	Remark	QTY	KIT
1	503 59 92-05	MUFFLER ASSY	DF	1	
2	724 12 87-59	SCREW CRPANM		1	1
3	503 66 91-01	SPARK ARRESTER SCREEN		1	1
4	503 47 69-01	MUFFLER ASSY	TUBE	1	
5	725 53 70-55	SCREW IHSCM		2	
6	503 20 02-10	SCREW IHSCFM		2	
7	503 20 02-16	SCREW IHSCFM		1	
8	590 47 60-01	SUPPORT PLATE		1	

**G** 61  
CARBURETTOR & AIR FILTER



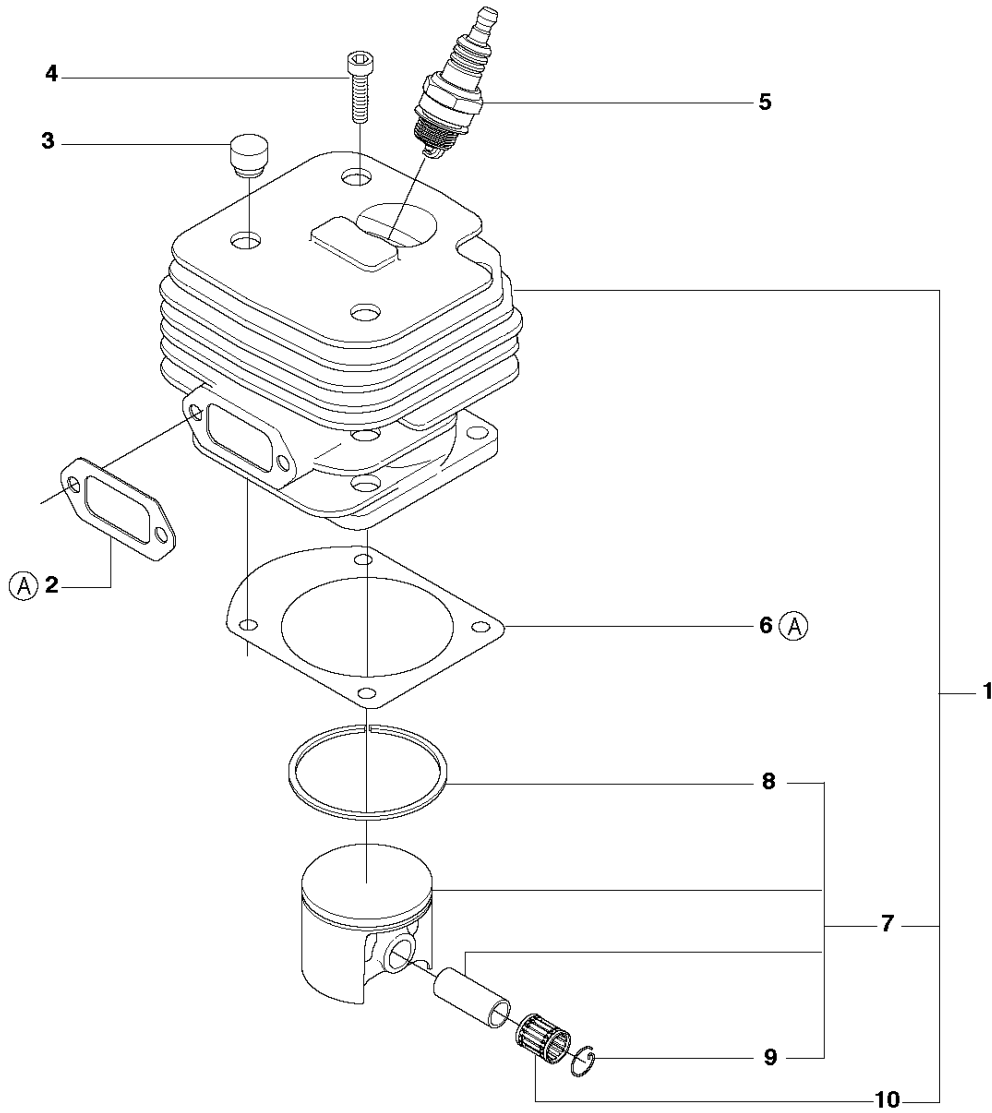
15  
Ⓐ 501 52 26-02  
Set of gaskets

## CARBURETOR &amp; AIR FILTER

61. 2018-06

Ref	Part No	Description	Remark	QTY	KIT
1	501 80 71-01	AIR FILTER ASSY	80μ	1	
1	501 80 71-06	AIR FILTER ASSY	40μ	1	
1	501 80 71-05	AIR FILTER ASSY	FELT	1	
2	501 81 56-01	GASKET		1	
3	725 52 93-56	SCREW IHSCM		1	
4	503 23 00-01	WASHER		1	
5	503 48 98-01	CLIP		1	
6	504 35 86-10	FILTER HOLDER		1	
7	503 20 80-06	SCREW PIN		2	6
8	503 20 21-82	SCREW IHSCM		2	
9	503 44 51-01	GUIDE BUSHING		1	
10	574 33 16-01	CARBURETTOR	Walbro WJ 125	1	
11	501 29 64-02	GASKET		1	15
12	501 53 38-03	MANIFOLD		1	
13	501 25 10-02	GASKET		1	15
14	503 61 03-01	SEALING COLLAR		1	
15	501 52 26-02	GASKET KIT	A = Set of gaskets	1	

**H** 61  
CYLINDER PISTON



11  
Ⓐ 501 52 26-02  
Set of gaskets

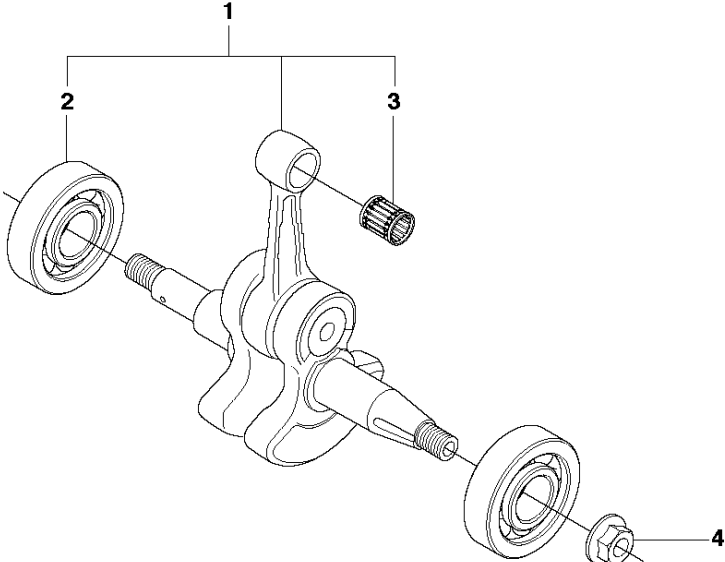


## CYLINDER PISTON

61. 2018-06

Ref	Part No	Description	Remark	QTY	KIT
1	544 22 28-02	CYLINDER ASSY		1	
2	503 40 54-01	GASKET		1	11
3	501 51 54-01	SUPPORT		1	
4	503 21 60-25	SCREW		4	
5	503 23 51-08	SPARK PLUG	RCJ 7Y	1	
6	501 51 22-04	GASKET		1	11
7	544 22 38-02	PISTON ASSY		1	1
8	544 22 48-01	PISTON RING		1	7, 1
9	737 43 12-00	SNAP RING		2	7, 1
10	577 57 24-01	NEEDLE BEARING		1	1
11	501 52 26-02	GASKET KIT	A = Set of gaskets	1	

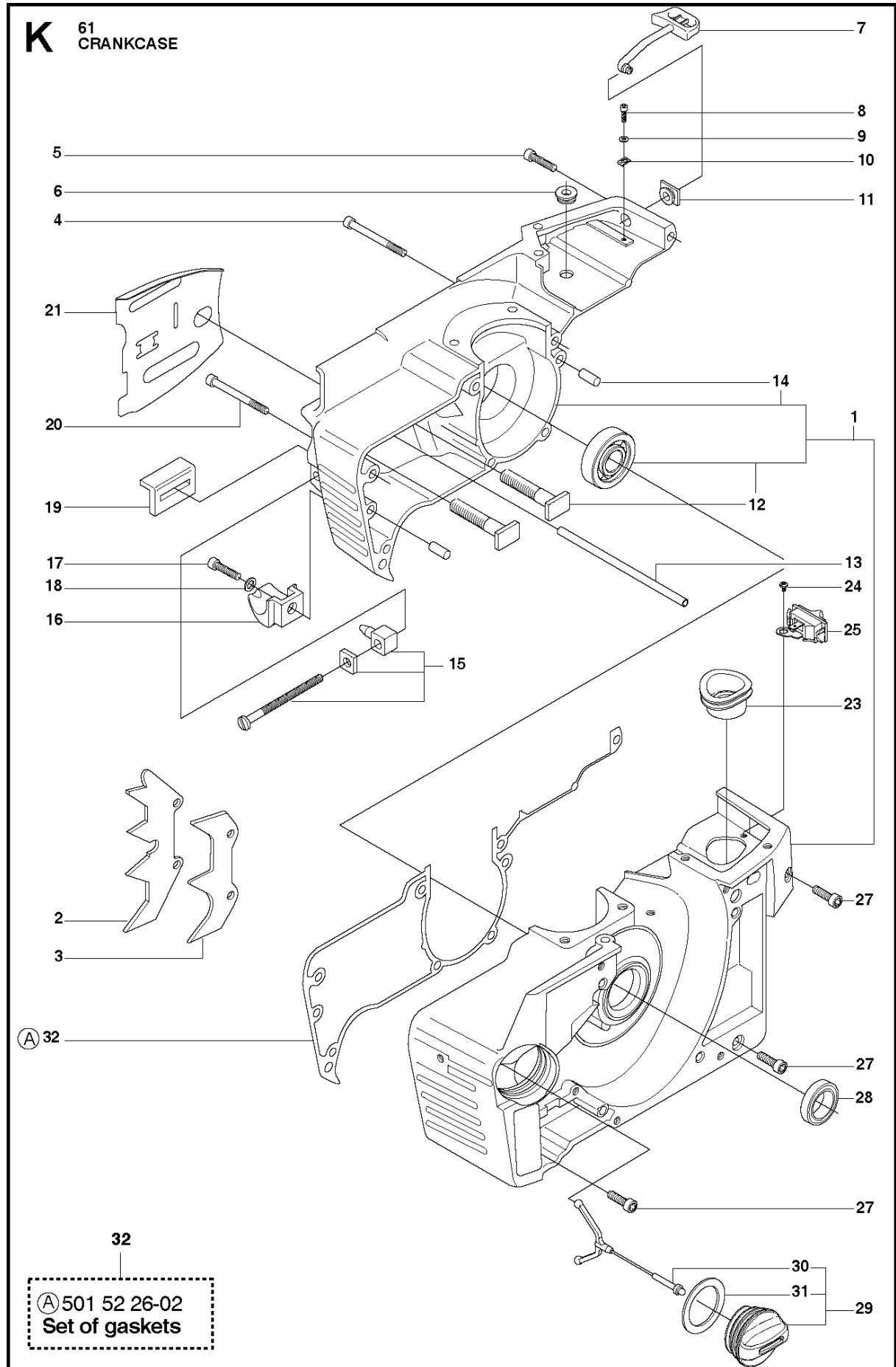
**J** <sup>61</sup> CRANKSHAFT



CRANKSHAFT

61. 2018-06

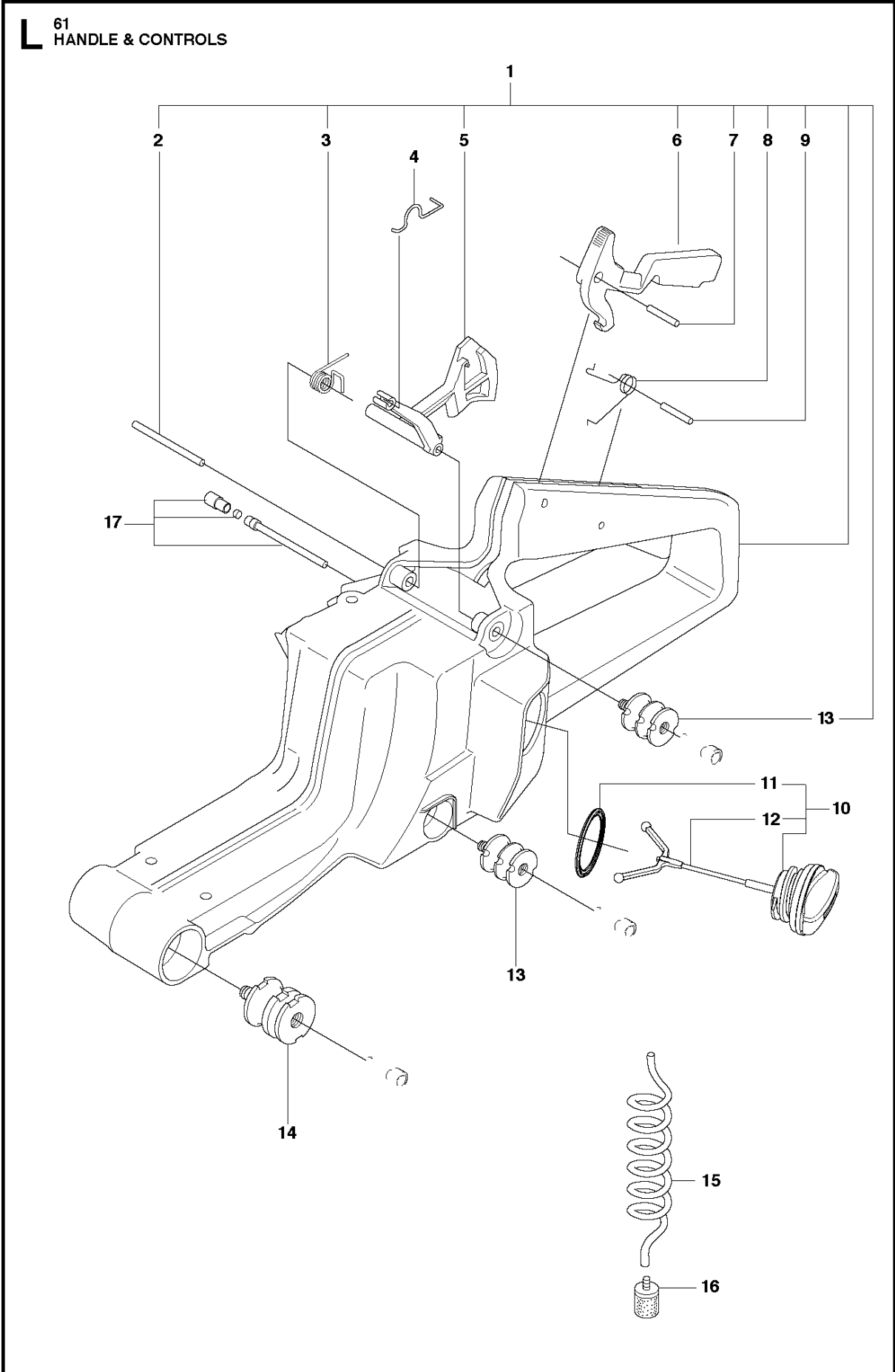
Ref	Part No	Description	Remark	QTY	KIT
1	503 61 33-71	CRANKSHAFT ASSY		1	
2	544 06 86-01	BALL BEARING		2	1
3	577 57 24-01	NEEDLE BEARING		1	1
4	503 22 04-01	NUT		1	



## CRANKCASE

61. 2018-06

Ref	Part No	Description	Remark	QTY	KIT
1	501 77 99-01	CRANKCASE ASSY		1	
2	503 59 08-01	INDRE BARKSTØD		1	
3	501 52 81-01	SPIKE		1	
4	725 53 37-55	SCREW IHSCM		4	
5	725 53 31-55	SCREW IHSCM		1	
6	503 69 76-01	GROMMET		1	
7	501 52 79-02	CHOKE CONTROL		1	
8	725 52 93-56	SCREW IHSCM		1	
9	503 23 00-01	WASHER		1	
10	503 44 64-01	BASE		1	
11	501 52 78-01	GROMMET		1	
12	501 81 57-01	BAR BOLT		2	1
13	503 66 84-03	TANK VENT ASSY		1	
14	720 13 07-10	PARALLEL PIN		2	1
15	501 53 71-01	CHAIN TENSIONER KIT		1	
16	503 53 58-01	CHAIN CATCHER		1	
17	725 53 27-55	SCREW IHSCM		1	
18	503 23 00-42	WASHER		1	
19	501 51 72-01	CHAIN GUIDE		1	
20	725 53 41-55	SCREW IHSCM		2	
21	501 81 48-01	PROTECTIVE PLATE		1	
23	503 44 50-01	BELLOWS		1	
24	503 21 28-06	SCREW CCRPANT		1	
25	503 71 79-01	STOP SWITCH		1	
27	725 53 27-55	SCREW IHSCM		6	
28	503 26 02-04	SEALING RING		2	
29	501 62 66-02	TANK		1	
30	503 57 89-01	HOLDER		1	29
31	501 62 68-01	GASKET		1	29
32	501 52 26-02	GASKET KIT	A = Set of Gaskets	1	

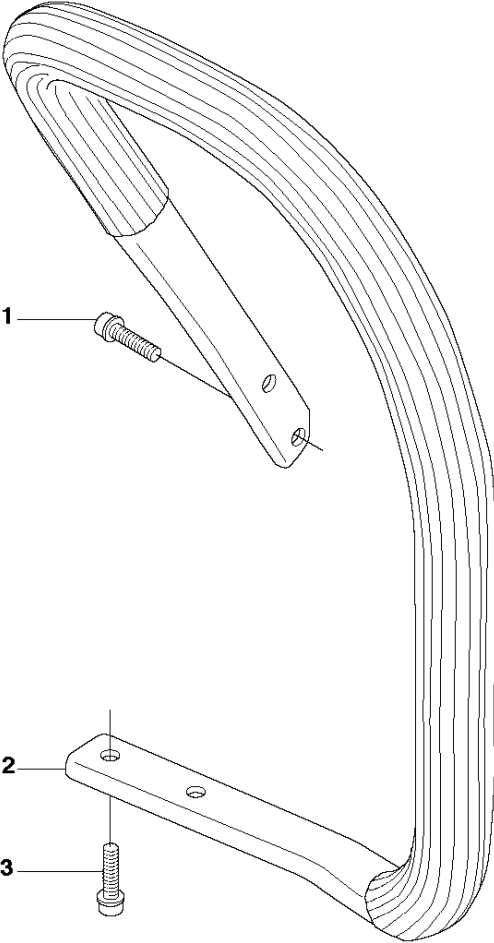


## HANDLE &amp; CONTROLS

61. 2018-06

Ref	Part No	Description	Remark	QTY	KIT
1	501 69 90-10	FUEL TANK ASSY		1	
2	501 51 97-02	ROD		1	1
3	501 52 88-01	RECOIL SPRING		1	1
4	503 44 58-01	THROTTLE WIRE		1	
5	501 51 80-02	THROTTLE LEVER		1	1
6	501 51 81-02	THROTTLE LOCKOUT		1	1
7	721 42 12-26	SPRING PIN		1	1
8	501 42 41-01	SPRING		1	1
9	721 42 12-26	SPRING PIN		1	1
10	501 43 14-02	TANK CAP ASSY		1	
11	501 27 82-01	GASKET		1	10
12	503 57 89-01	HOLDER		1	10
13	501 77 34-01	ANTIVIBRATION ELEMENT	Soft, 2 pcs included in kit 1	4	1
13	501 62 87-01	ANTIVIBRATION ELEMENT	Hard	4	
14	501 77 35-01	ANTIVIBRATION ELEMENT	Soft	2	
14	501 69 94-01	ANTIVIBRATION ELEMENT	Hard	2	
15	581 75 62-01	FUEL HOSE		1	
16	503 44 32-01	FUEL FILTER		1	
17	501 62 96-01	TANK VENT		1	

**M** 61  
HANDLE

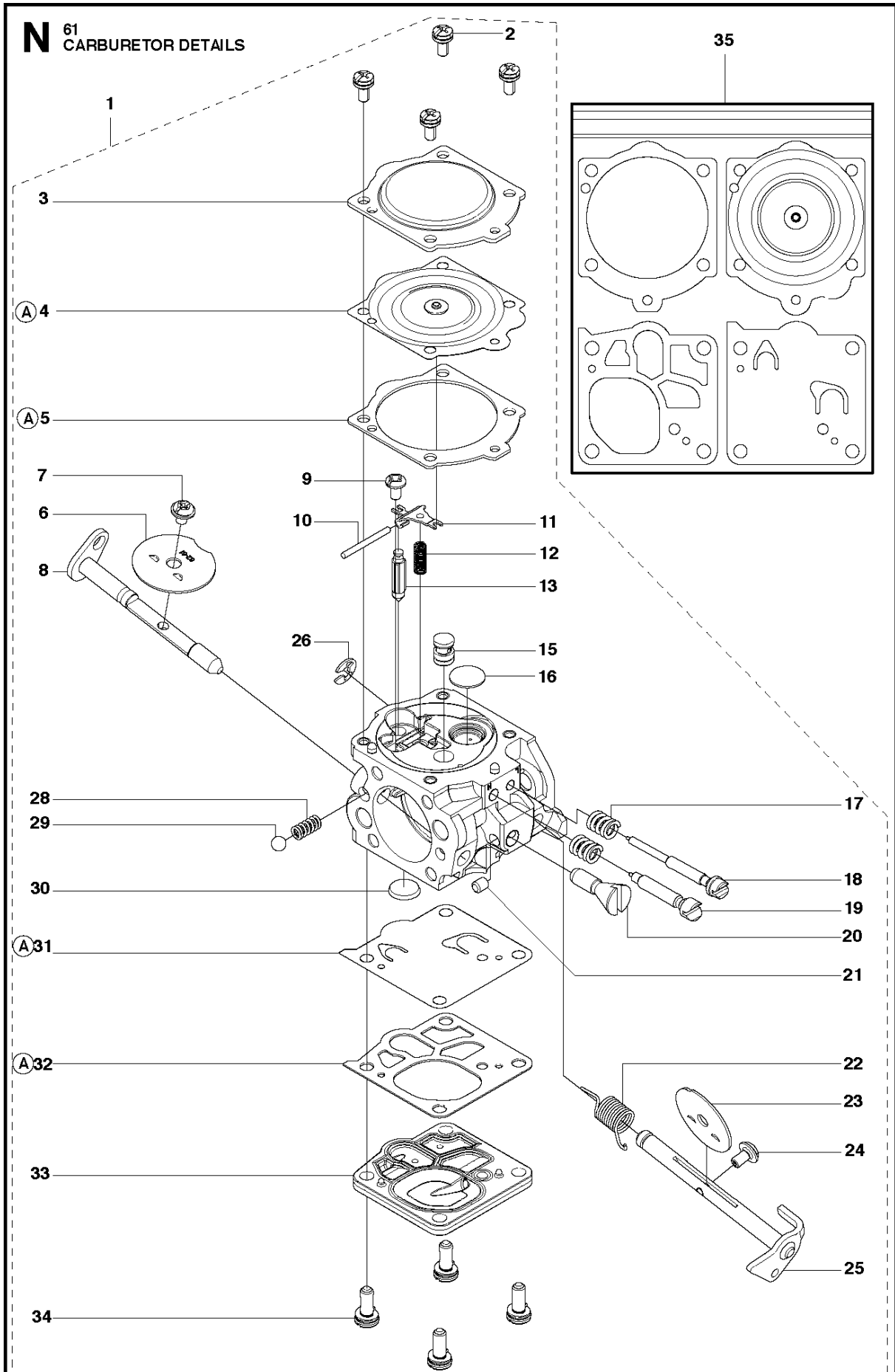




## HANDLE

61. 2018-06

Ref	Part No	Description	Remark	QTY KIT
1	503 21 06-22	SCREW IHSCT		2
2	501 53 45-03	FRONT HANDLE ASSY		1
3	503 21 06-22	SCREW IHSCT		2

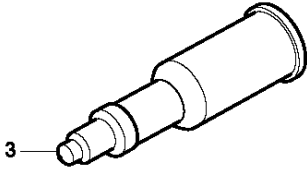
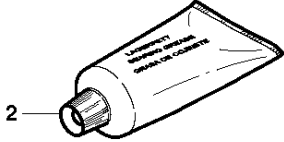
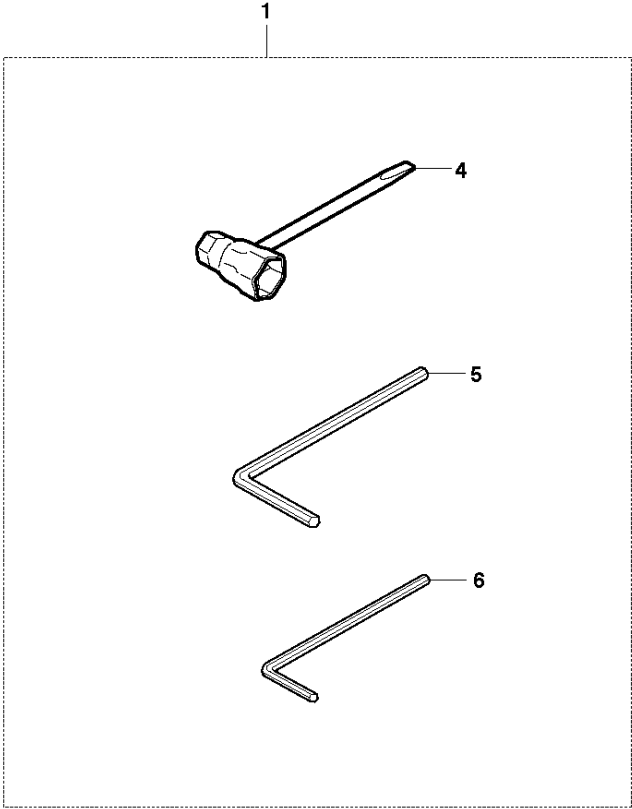


## CARBURETOR DETAILS

61. 2018-06

Ref	Part No	Description	Remark	QTY	KIT
1	574 33 16-01	CARBURETTOR	Walbro WJ 125	1	
2	503 10 87-01	SCREW		4	1
3	505 31 67-02	COVER		1	1
4	503 63 58-01	DIAPHRAGM ASSY		1	1, 35
5	501 46 75-01	GASKET		1	1, 35
6	505 31 67-07	VALVE-CHOKE		1	1
7	537 00 34-01	SCREW		1	1
8	502 52 59-01	SHAFT ASSY		1	1
9	505 31 67-17	SCREW		1	1
10	505 31 67-31	PIN		1	1
11	505 31 67-34	LEVER		1	1
12	503 11 76-01	SPRING		1	1
13	503 11 70-01	NEEDLE VALVE		1	1
15	503 80 04-01	NOZZLE		1	1
16	503 57 41-01	PLUG		1	1
17	504 21 00-50	SPRING		2	1
18	503 48 37-01	NEEDLE IDLE SPEED	Low speed needle	1	1
19	502 52 65-01	NEEDLE	High speed needle	1	1
20	544 89 76-01	SCREW		1	1
21	503 80 05-01	PLUG		1	1
22	502 52 64-01	SPRING		1	1
23	574 33 17-01	VALVE		1	1
24	544 11 15-01	SCREW		1	1
25	502 52 58-01	SHAFT ASSY		1	1
26	503 79 95-01	RETAINER RING		1	1
28	503 11 77-01	SPRING		1	1
29	503 11 71-01	BALL		1	1
30	501 66 61-01	SCREEN		1	1
31	544 89 72-01	DIAPHRAGM PUMP		1	1, 35
32	503 11 72-01	GASKET		1	1, 35
33	503 59 58-01	COVER		1	1
34	503 11 75-01	SCREW		4	1
35	502 52 92-01	GASKET KIT	B2602-WJ, A = Set of Gaskets	1	

**P** 61  
ACCESSORIES

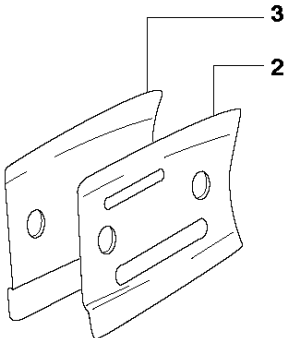
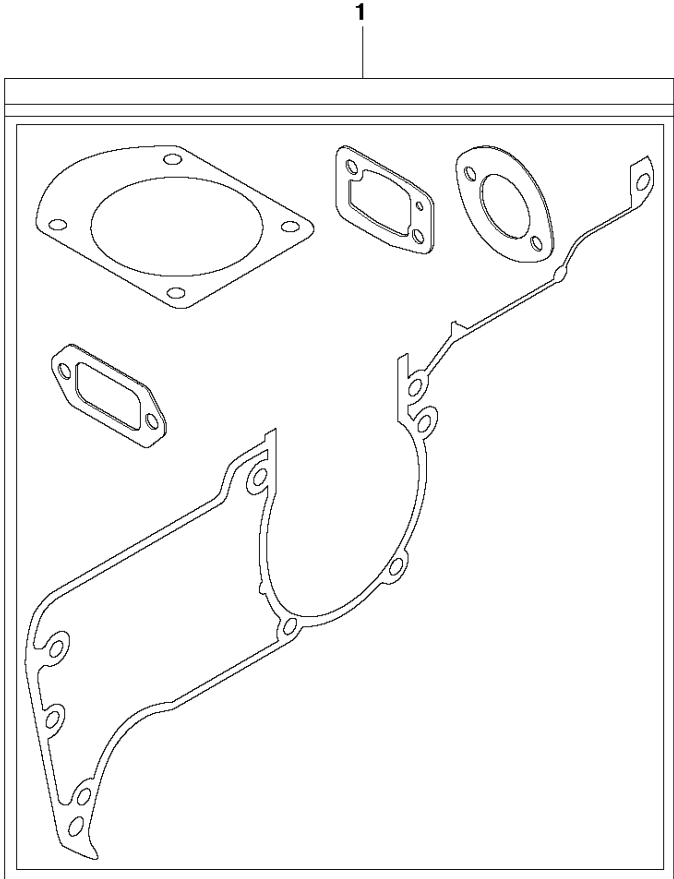


## ACCESSORIES

61. 2018-06

Ref	Part No	Description	Remark	QTY	KIT
1	503 55 85-04	TOOL		1	
2	503 62 12-01	GREASE		1	
3	501 91 14-01	GREASE GUN		1	
4	501 69 17-01	COMBINATION WRENCH		1	1
5	503 55 86-02	SPANNER		1	1
6	503 55 86-01	SPANNER		1	1

**Q** 61  
SET OF GASKETS



SET OF GASKETS

61. 2018-06

Ref	Part No	Description	Remark	QTY KIT
1	501 52 26-02	GASKET KIT	A = Set of Gaskets	1
2	501 44 44-01	GUIDE PLATE		1
3	501 44 45-01	GUIDE PLATE		1