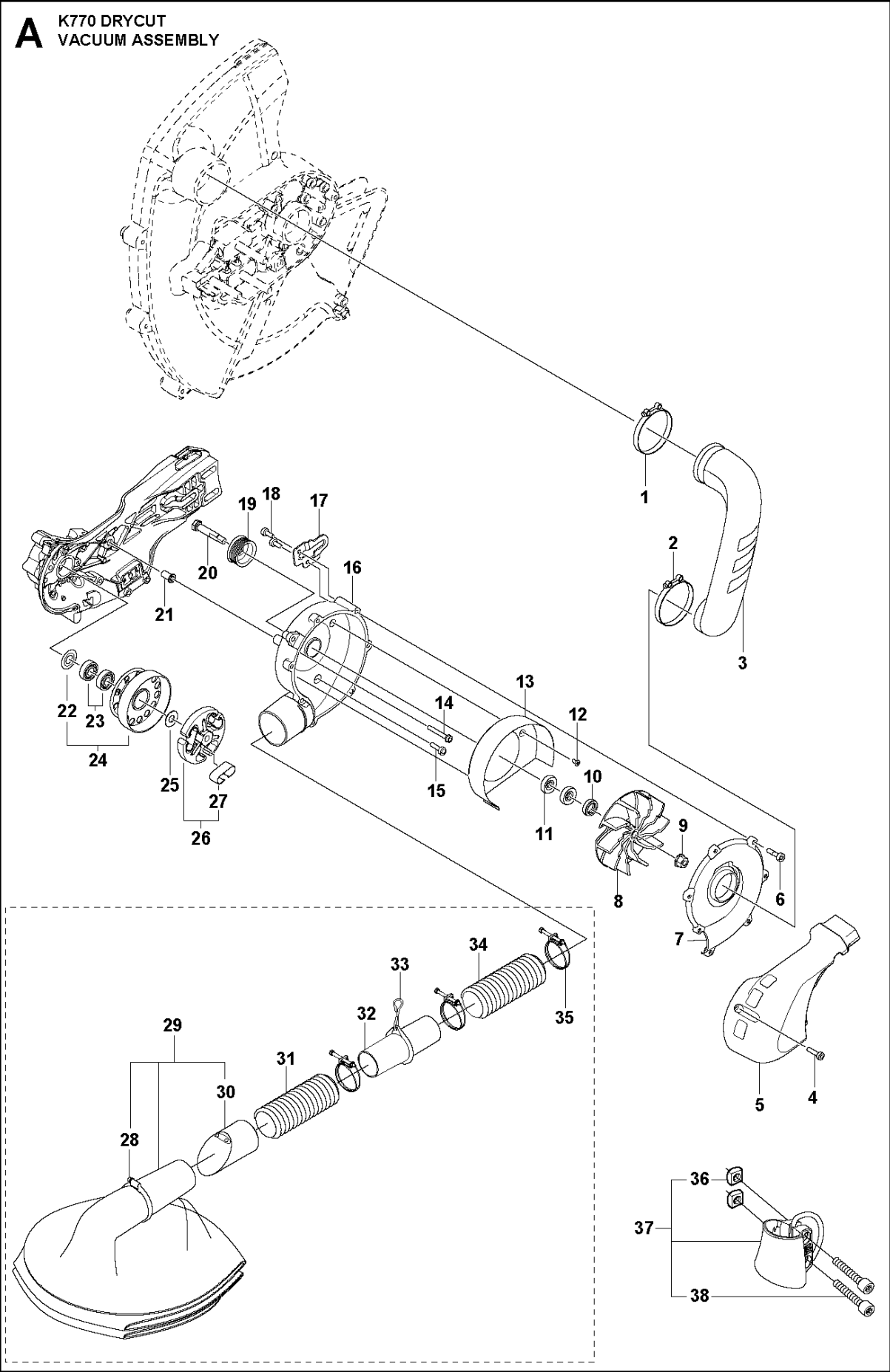




SPARE PARTS LIST

POWER CUTTERS

K 770 Dry Cut, 2018-10

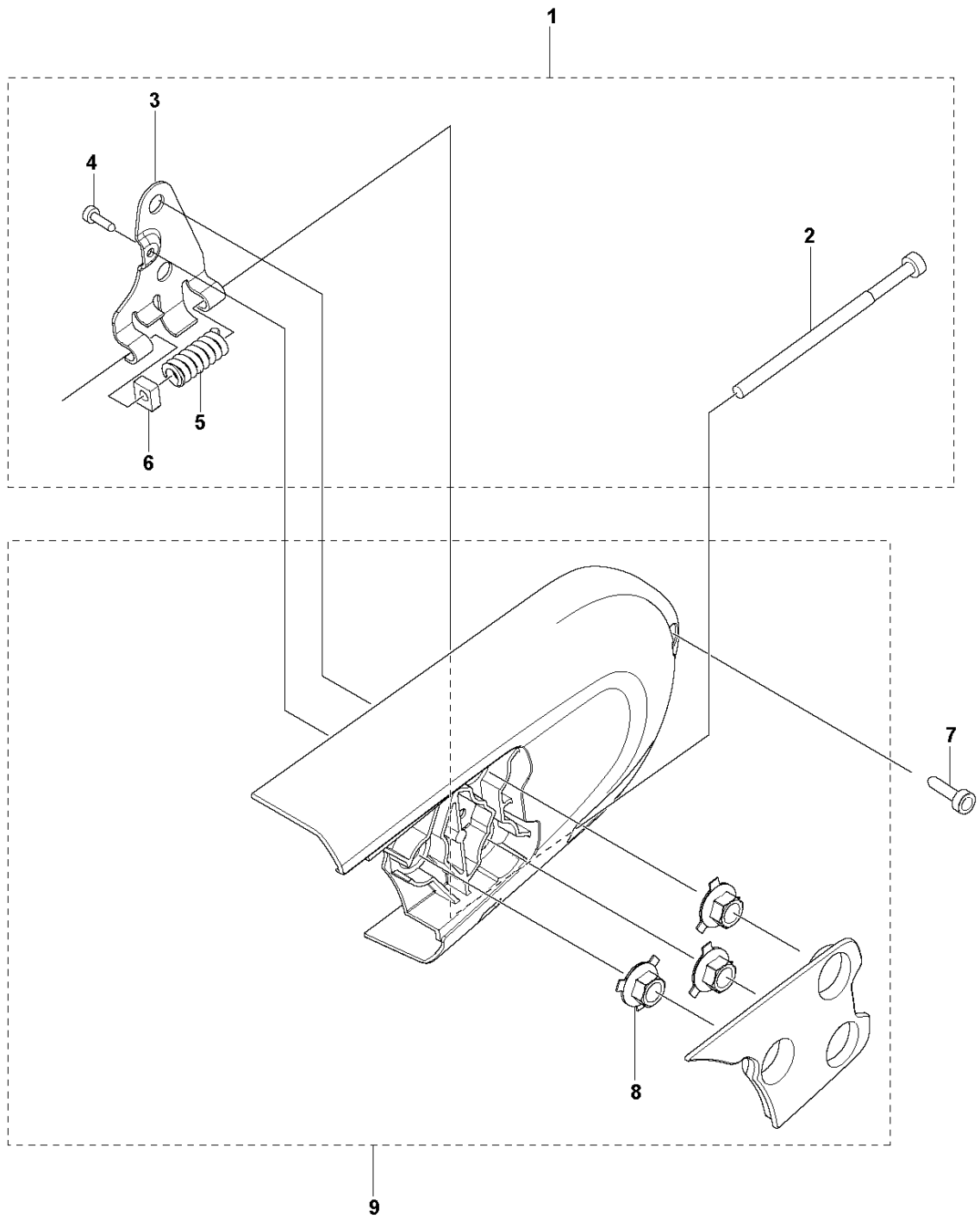


VACUUM ASSEMBLY

K 770 Dry Cut, 2018-10

Ref	Part No	Description	Remark	QTY	KIT
1	505 28 33-10	HOSE CLAMP		1	
2	505 28 33-11	HOSE CLAMP		1	
3	592 72 76-01	CONNECTION BEND		1	
4	501 98 10-20	SCREW ITXSCM		3	
5	590 48 99-01	BELT GUARD		1	
6	503 21 53-21	SCREW ITXSCM		7	
7	590 49 00-01	COVER		1	
8	590 37 28-01	FAN		1	
9	503 22 00-01	HEXAGON NUT		1	
10	592 74 77-01	RADIAL SEAL		1	
11	590 52 56-01	BALL BEARING		2	
12	725 62 89-01	SCREW IHCSFM		3	
13	590 48 53-01	SHIELD		1	
14	525 75 52-07	SCREW ITXSCFM		1	
15	503 21 53-16	SCREW ITXSCM		1	
16	590 37 29-01	FAN HOUSING		1	
17	595 31 46-01	BRACKET		1	
18	503 21 53-12	SCREW ITXSCM		2	
19	590 37 32-01	HUB		1	
20	590 37 31-01	SHAFT		1	
21	582 56 45-01	NUT		1	
22	506 31 69-01	DUST COVER		1	
23	525 83 18-01	BALL BEARING		2	
24	590 80 59-01	DRIVING PULLEY		1	
25	503 23 00-70	WASHER		1	
26	503 74 44-06	CLUTCH ASSY		1	
27	503 74 43-01	CLUTCH SPRING		3	
28	596 79 28-01	HOSE CLAMP		1	
29	596 88 79-01	BAG		1	
30	590 48 96-01	VALVE ASSY		1	
31	590 48 90-02	HOSE		1	
32	592 99 81-01	CONNECTION PIECE		1	
33	590 48 91-01	HOSE CLAMP		1	
34	590 48 90-01	HOSE		1	
35	596 79 29-01	HOSE CLAMP		3	
36	503 22 65-04	SQUARE NUT		2	37
37	588 73 14-01	BRACKET		1	
38	503 21 53-16	SCREW ITXSCM		2	37

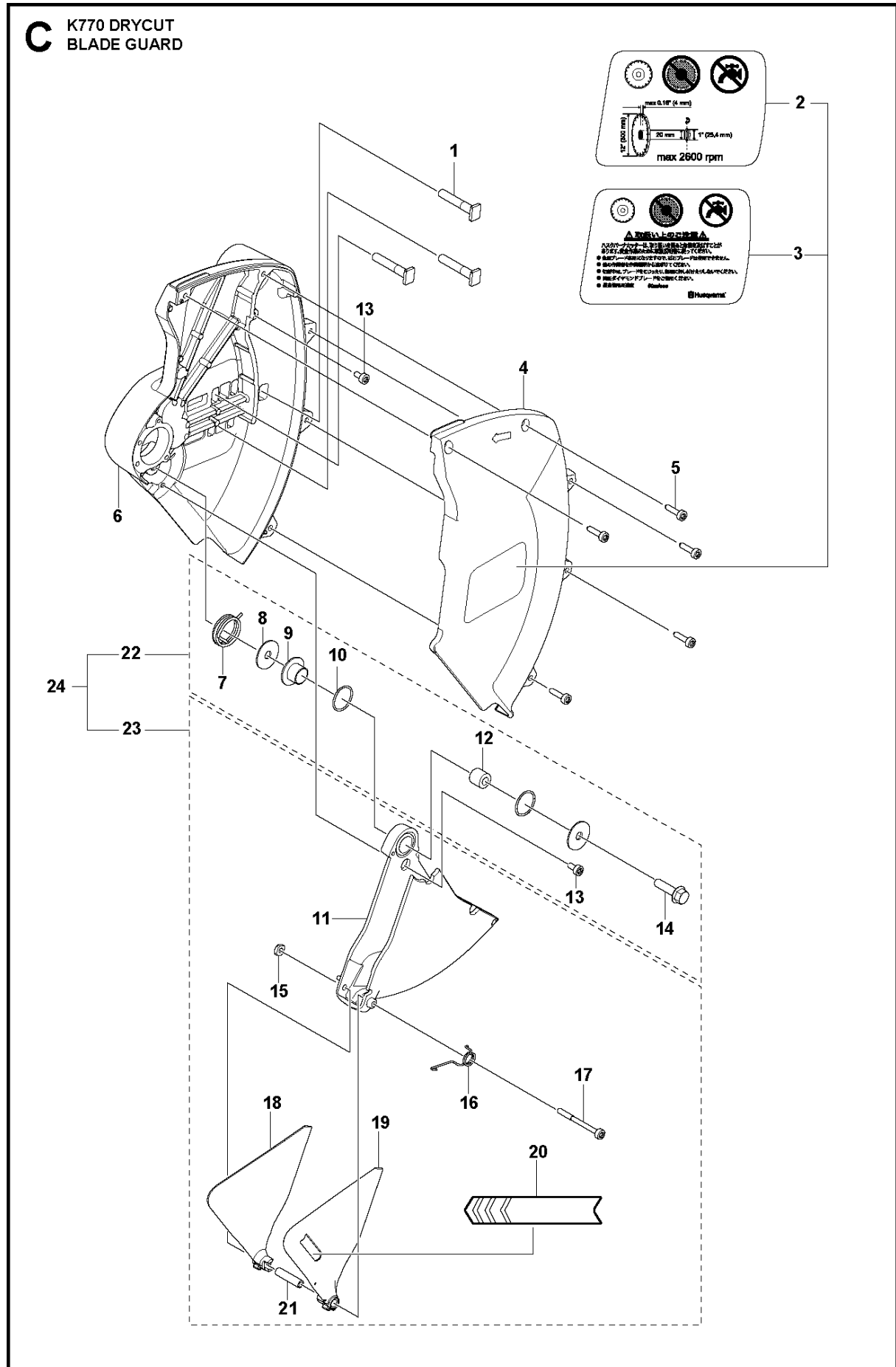
B K770 DRYCUT
BELT GUARD & PULLEY



BELT GUARD & PULLEY

K 770 Dry Cut, 2018-10

Ref	Part No	Description	Remark	QTY KIT
1	596 88 80-01	TENSIONER		1
2	503 20 72-05	SCREW CITXSCM		1
3	590 48 89-01	TENSIONER		1
4	525 82 48-01	SCREW ITXSCT		1
5	506 26 68-01	COMPRESSION SPRING		3
6	506 40 93-01	NUT		1
7	501 98 10-20	SCREW ITXSCM		1
8	586 74 37-01	NUT WASHER		1
9	596 88 81-01	BELT GUARD		1

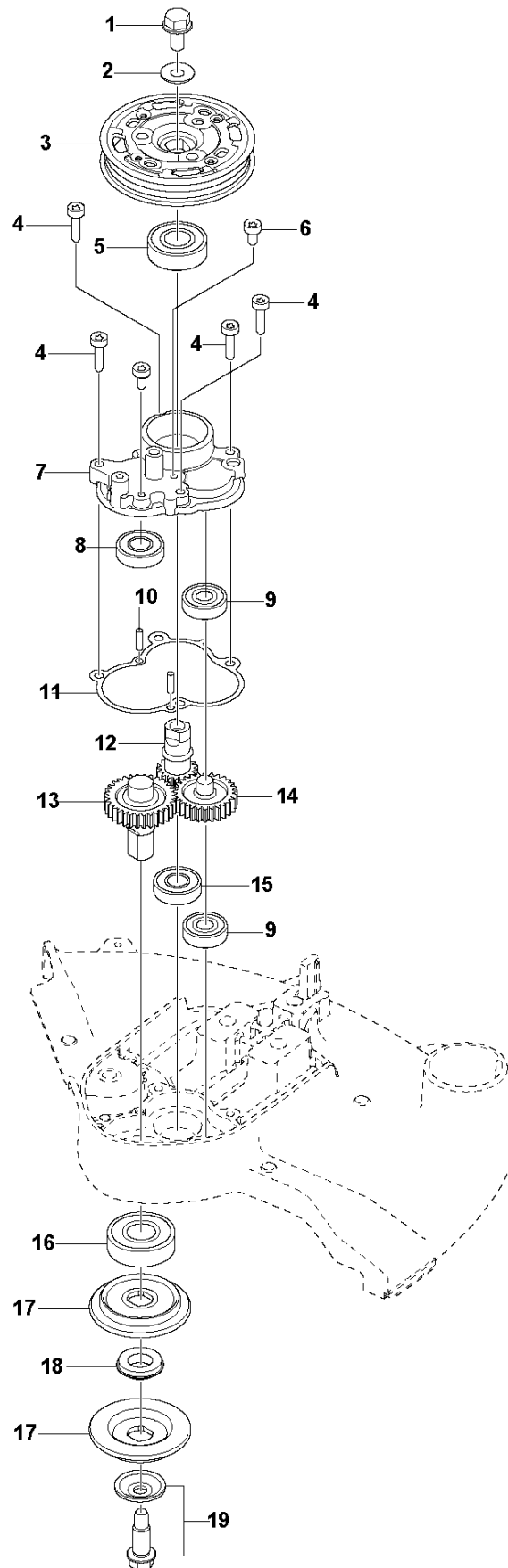


BLADE GUARD

K 770 Dry Cut, 2018-10

Ref	Part No	Description	Remark	QTY KIT
1	503 87 54-02	BAR BOLT		3
2	593 97 33-01	DECAL		1
3	593 97 33-02	DECAL		1
4	590 37 02-01	WHEEL GUARD		1
5	503 21 53-26	SCREW ITXSCM		5
6	590 37 00-01	WHEEL GUARD		1
7	590 48 84-01	TORSION SPRING		1
8	592 83 63-01	WASHER		2
9	592 83 62-01	LINING		1
10	740 48 20-12	O-RING		2
11	593 09 48-01	WHEEL GUARD		1
12	590 48 87-01	BUSHING		1
13	503 21 53-10	SCREW ITXSCM		2
14	522 70 68-01	SCREW EHHFM		1
15	503 22 65-04	SQUARE NUT		1
16	590 48 85-01	TORSION SPRING		1
17	503 21 53-49	SCREW ITXSCM		1
18	590 48 82-01	SHIELD		1
19	593 08 19-01	SHIELD		1
20	593 97 34-01	DECAL		2
21	590 48 88-01	BUSHING		1
22	596 88 84-01	SPRING		1
23	596 88 82-01	BLADE GUARD		1
24	596 88 83-01	BLADE GUARD		1

D K770 DRYCUT
GEARS

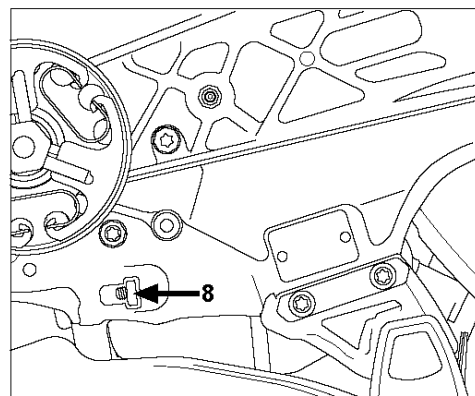
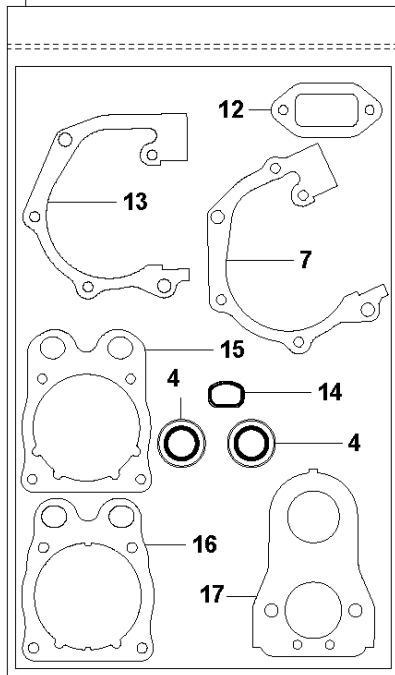
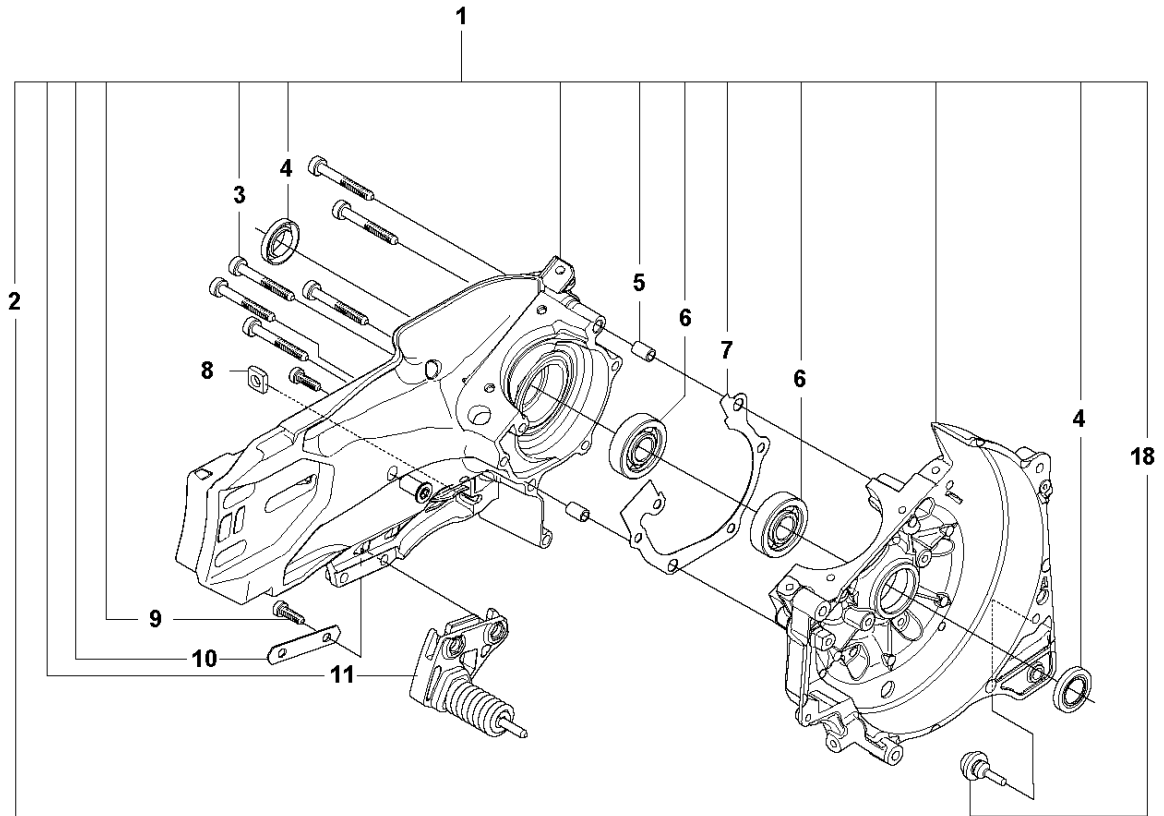


GEARS

K 770 Dry Cut, 2018-10

Ref	Part No	Description	Remark	QTY KIT
1	503 20 00-45	SCREW EHHFM		1
2	503 23 01-16	WASHER		1
3	590 89 58-01	PULLEY		1
4	503 21 53-26	SCREW ITXSCM		4
5	738 22 02-25	BALL BEARING		1
6	503 21 53-10	SCREW ITXSCM		2
7	590 37 01-01	GEARBOX		1
8	590 52 59-01	BALL BEARING		1
9	590 52 57-01	BALL BEARING		2
10	720 12 69-52	PARALLEL PIN		2
11	590 37 04-01	DUST SEAL		1
12	593 84 07-01	SHAFT ASSY		1
13	593 84 08-01	SPINDLE ASSY		1
14	593 84 09-01	DRIVE SHAFT ASSY		1
15	590 52 58-01	BALL BEARING		1
16	590 52 60-01	BALL BEARING		1
17	590 37 06-01	FLANGE WASHER		2
18	581 60 54-03	BUSHING	Diam 30,5mm, JP only	1
18	578 39 82-01	BUSHING	Diam 20/25, 4mm	1
19	590 50 38-01	SCREW		1

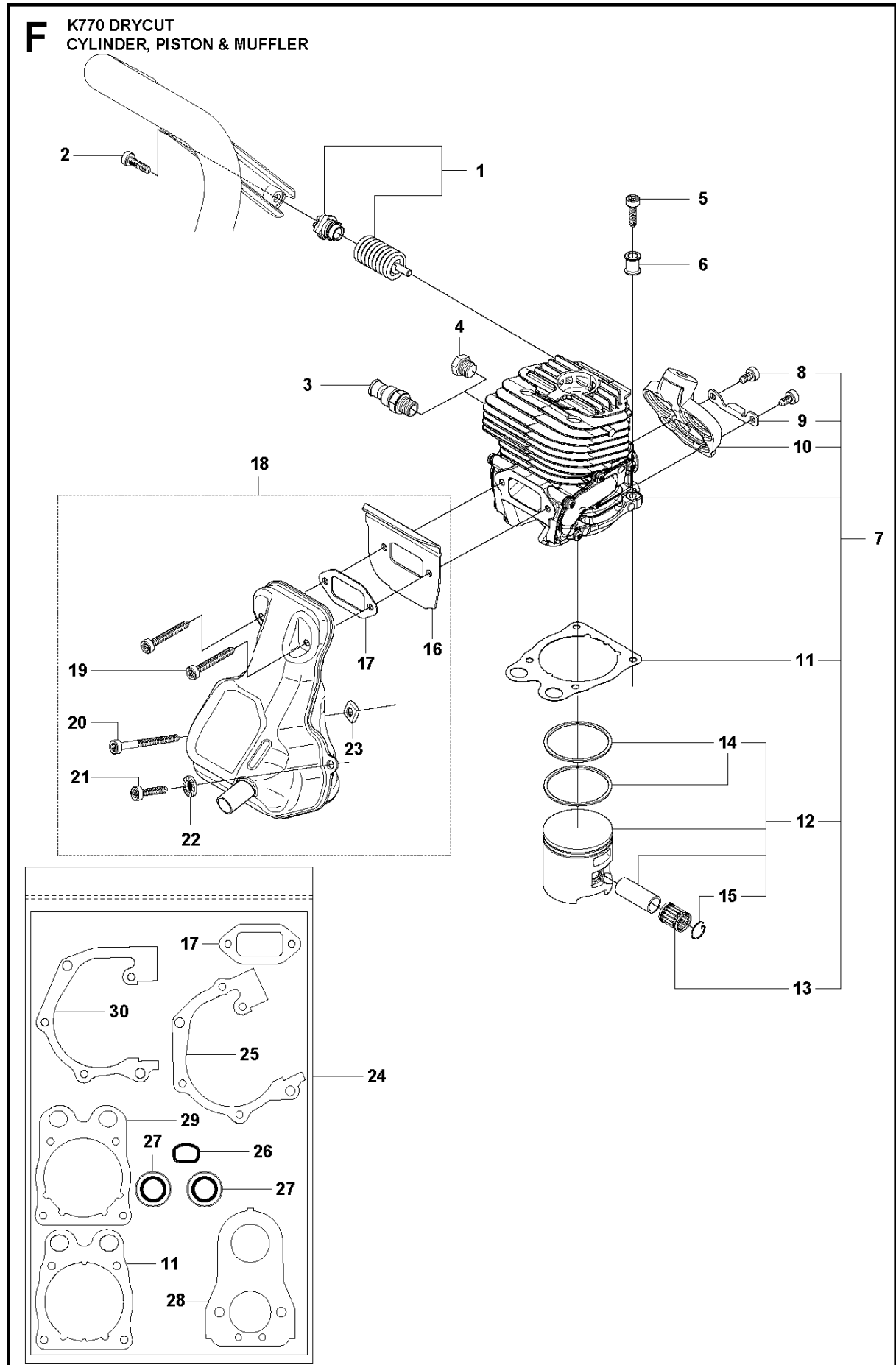
E K770 DRYCUT
CRANKCASE



CRANKCASE

K 770 Dry Cut, 2018-10

Ref	Part No	Description	Remark	QTY	KIT
1	593 28 25-01	CRANKCASE KIT	Incl. 2-7, 9-11, 18	1	
2	581 35 74-02	GASKET KIT	4, 7, 12-17	1	1
3	503 21 53-41	SCREW ITXSCM		6	1
4	503 26 02-04	SEALING RING		2	1
5	501 27 08-01	GUIDE BUSHING		2	1
6	738 22 02-25	BALL BEARING		2	1
7	506 37 70-03	GASKET	Six hole	1	1
8	503 22 65-04	SQUARE NUT		1	1
9	503 21 53-16	SCREW ITXSCM		2	1
10	522 47 48-01	PLATE		1	1
11	522 47 57-01	SPRING RETAINER		1	1
12	588 91 51-01	HEAT DEFLECTOR		1	
13	506 37 70-02	GASKET	Five hole	1	
14	506 37 67-01	CYLINDER		1	
15	544 21 93-02	INSERT		1	
16	581 28 53-01	GASKET		1	
17	506 37 68-04	GASKET		1	
18	503 84 61-01	BUFFER		1	1

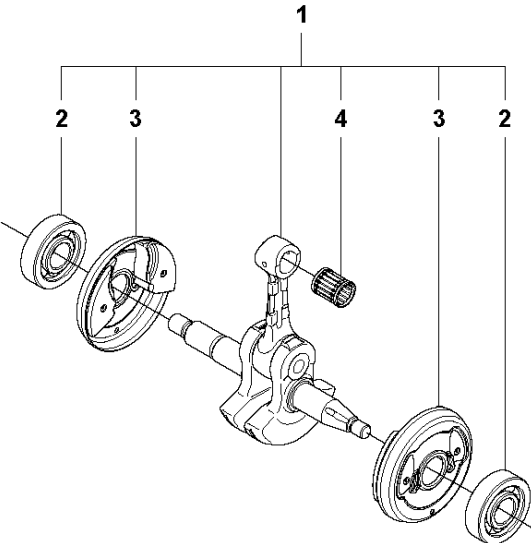


CYLINDER, PISTON & MUFFLER

K 770 Dry Cut, 2018-10

Ref	Part No	Description	Remark	QTY	KIT
1	579 74 42-02	ANTIVIBRATION ELEMENT		1	
2	544 06 12-01	SCREW ITXSCM		1	
3	503 71 53-01	DECOMPRESSION VALVE		1	
4	503 55 22-01	PLUG		1	
5	503 21 53-40	SCREW ITXSCM		4	
6	576 71 76-02	SLEEVE		4	
7	581 47 61-03	CYLINDER ASSY	Incl. 8 - 13	1	
8	503 21 53-16	SCREW ITXSCM		2	7
9	506 36 88-01	BRACKET		1	7
10	574 23 18-01	PLATE		1	7
11	581 28 53-01	GASKET		1	7, 24
12	506 37 24-03	PISTON ASSY	Incl. 14 - 15	1	7
13	503 25 56-01	NEEDLE BEARING		1	7
14	522 99 01-01	PISTON RING		2	7
15	737 43 12-00	SNAP RING		2	7
16	588 91 51-01	HEAT DEFLECTOR		1	18
17	588 93 25-01	GASKET		1	18, 24
18	592 77 83-01	MUFFLER	Incl. 16 -17, 19 - 23	1	
19	503 21 53-40	SCREW ITXSCM		2	18
20	503 21 53-56	SCREW ITXSCM		1	18
21	503 21 53-25	SCREW ITXSCM		1	18
22	503 23 04-02	WASHER		1	18
23	503 22 65-04	SQUARE NUT		1	18
24	581 35 74-02	GASKET KIT	Incl. 11, 17, 25 - 30	1	
25	506 37 70-03	GASKET		1	24
26	544 21 93-02	INSERT		1	24
27	503 26 02-04	SEALING RING	Blue	2	24
28	506 37 68-04	GASKET		1	24
29	506 37 67-01	CYLINDER		1	24
30	506 37 70-02	GASKET		1	24

G K770 DRYCUT
CRANKSHAFT

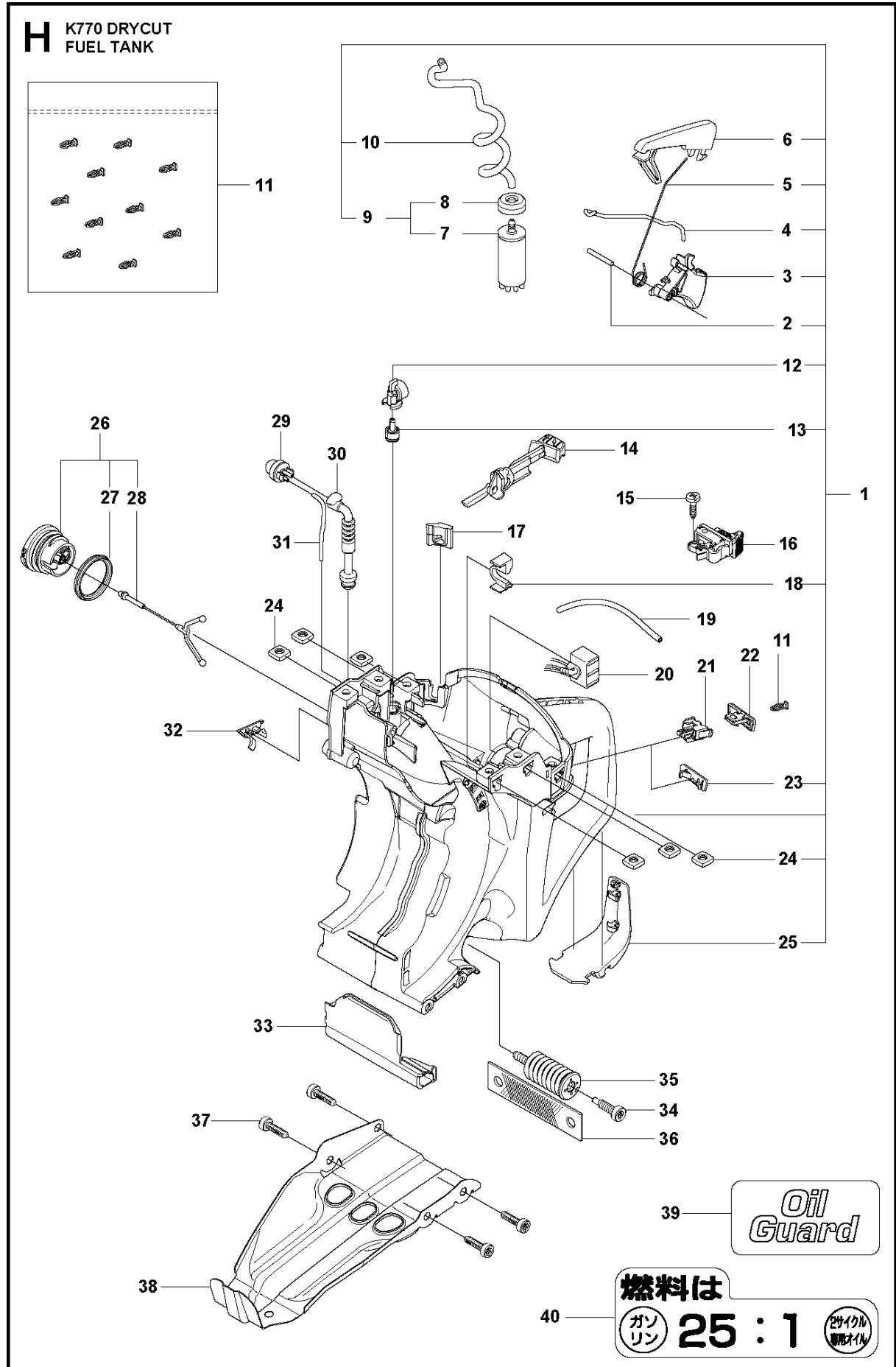


CRANKSHAFT

K 770 Dry Cut, 2018-10

Ref	Part No	Description	Remark	QTY KIT
1	502 29 50-02	CRANKSHAFT ASSY	Incl. 2 - 4	1
2	738 22 02-25	BALL BEARING		2
3	537 20 33-01	CUP		2
4	503 25 41-01	NEEDLE BEARING		1

H K770 DRYCUT
FUEL TANK



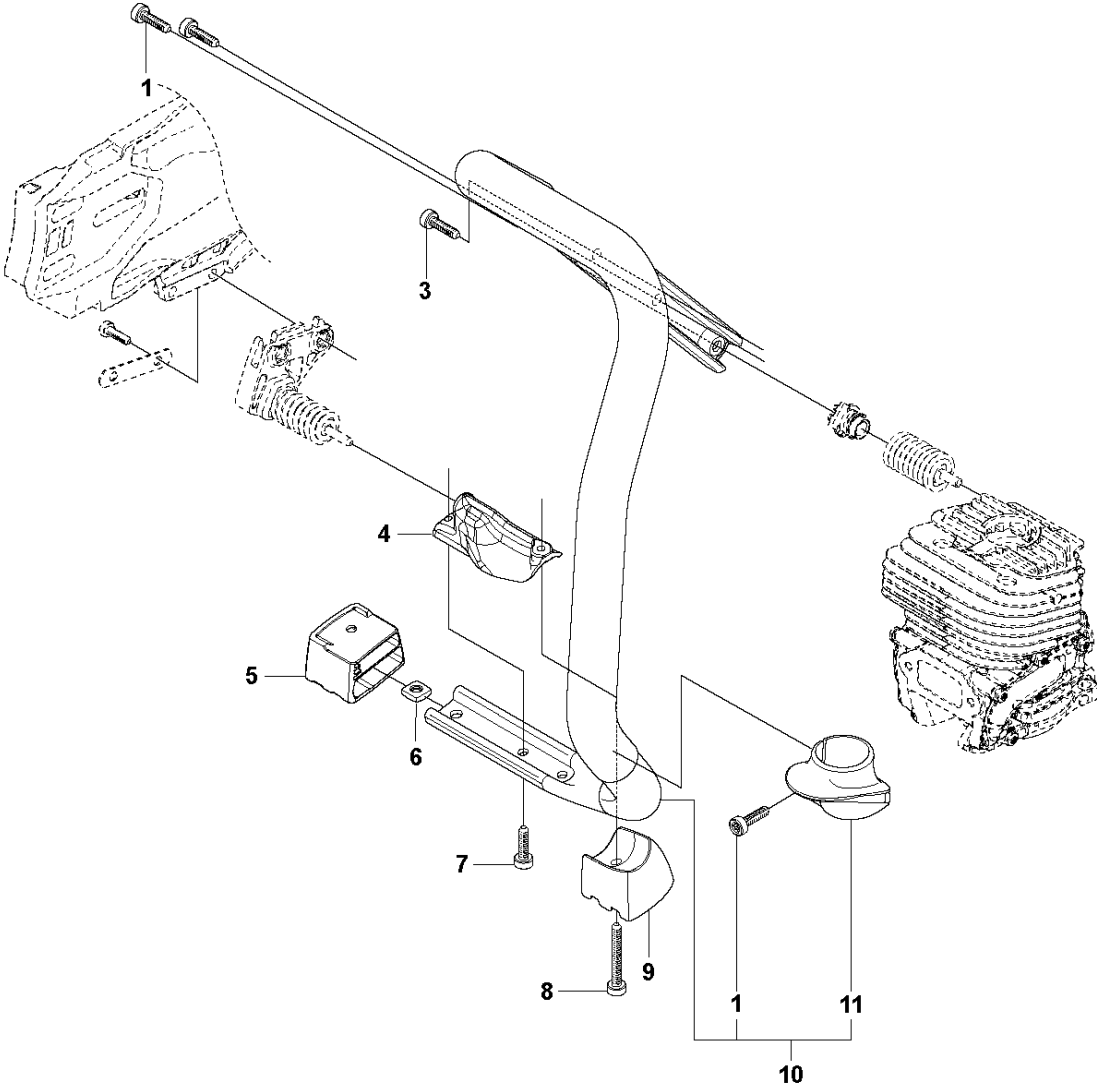
燃料は
ガソリン 25 : 1 ツヤイクル専用オイル

FUEL TANK

K 770 Dry Cut, 2018-10

Ref	Part No	Description	Remark	QTY	KIT
1	593 28 18-01	FUEL TANK ASSY	Incl. 2 - 10, 12-13, 18, 23-25	1	
2	720 12 40-20	PARALLEL PIN		2	1
3	588 08 62-02	THROTTLE CONTROL	OIL GUARD	1	1
3	588 08 62-01	THROTTLE CONTROL		1	1
4	579 37 92-01	THROTTLE ROD		1	1
5	587 74 60-01	SPRING		1	1
6	588 13 77-01	THROTTLE LOCKOUT		1	1
6	588 13 77-02	THROTTLE LOCKOUT	OIL GUARD	1	1
7	506 26 41-01	FUEL FILTER		1	1, 9
8	506 27 11-01	HOSE CLAMP		1	1, 9
9	506 26 41-11	FUEL FILTER	Incl. 7 - 8	1	1
10	581 75 62-03	FUEL HOSE			1
10	581 75 62-02	FUEL HOSE	Oil Guard	1	1
11	502 23 33-01	KIT	Oil Guard. Incl. 10 pins	1	
12	577 31 35-01	TANK VENT VALVE ASSY		1	1
13	501 15 29-01	TANK VENT ASSY		1	1
14	544 22 90-02	CHOKE CONTROL		1	
15	525 88 74-02	SCREW CITXPANT		1	
16	506 31 86-04	STOP SWITCH		1	
17	506 37 80-01	GROMMET		1	
18	544 39 32-01	HOSE CLIP		1	1
19	581 75 61-17	FUEL HOSE	OIL GUARD	1	
20	544 38 41-01	ELECTRONIC BOX	OIL GUARD	1	
21	501 01 88-01	HOUSING	OIL GUARD	1	
22	501 01 94-01	SWITCH	OIL GUARD	1	
23	501 37 13-01	LID		1	1
24	581 77 48-01	NUT		6	1
25	588 19 82-01	GROUND SUPPORT		1	1
26	522 62 00-03	TANK CAP ASSY		1	
27	589 24 11-01	GASKET		1	26
28	503 57 89-01	HOLDER		1	26
29	540 05 49-01	AIR CLEANER	PURGE	1	
30	505 19 52-01	FUEL HOSE	PURGE	1	
31	537 04 24-14	FUEL HOSE	PURGE	1	
32	506 39 46-02	HUB CAP		1	
33	506 38 15-01	HEAT SHIELD		1	
34	544 06 12-01	SCREW ITXSCM		1	
35	537 21 03-12	ANTIVIBRATION ELEMENT		1	
36	544 23 82-01	BAND		1	
37	503 21 54-20	SCREW ITXSCT		4	
38	506 37 19-02	BASEPLATE		1	
39	581 09 54-02	DECAL	Oil Guard	1	
40	506 31 30-01	LABEL	Japan Only		

**K770 DRYCUT
GROUND SUPPORT**

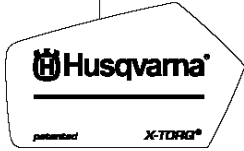
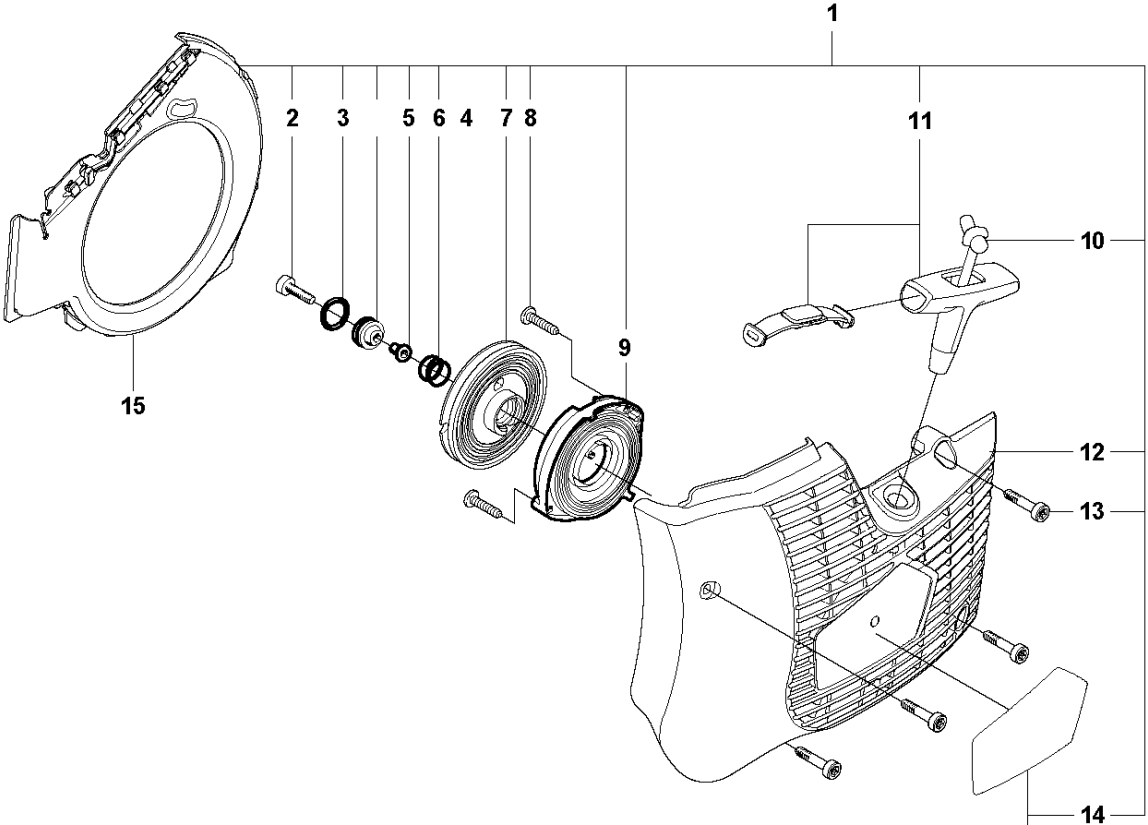


GROUND SUPPORT

K 770 Dry Cut, 2018-10

Ref	Part No	Description	Remark	QTY	KIT
1	503 21 54-20	SCREW ITXSCT		3	10
3	544 06 12-01	SCREW ITXSCM		1	
4	575 26 77-01	SPRING RETAINER		1	
5	522 83 23-01	GROUND SUPPORT		1	
6	503 22 65-04	SQUARE NUT		1	
7	503 21 53-10	SCREW ITXSCM		3	
8	503 21 53-40	SCREW ITXSCM		1	
9	522 83 24-01	GROUND SUPPORT		1	
10	581 11 06-03	HANDLE ASSY	Incl. 1,11	1	
11	506 38 71-02	STOP		1	10

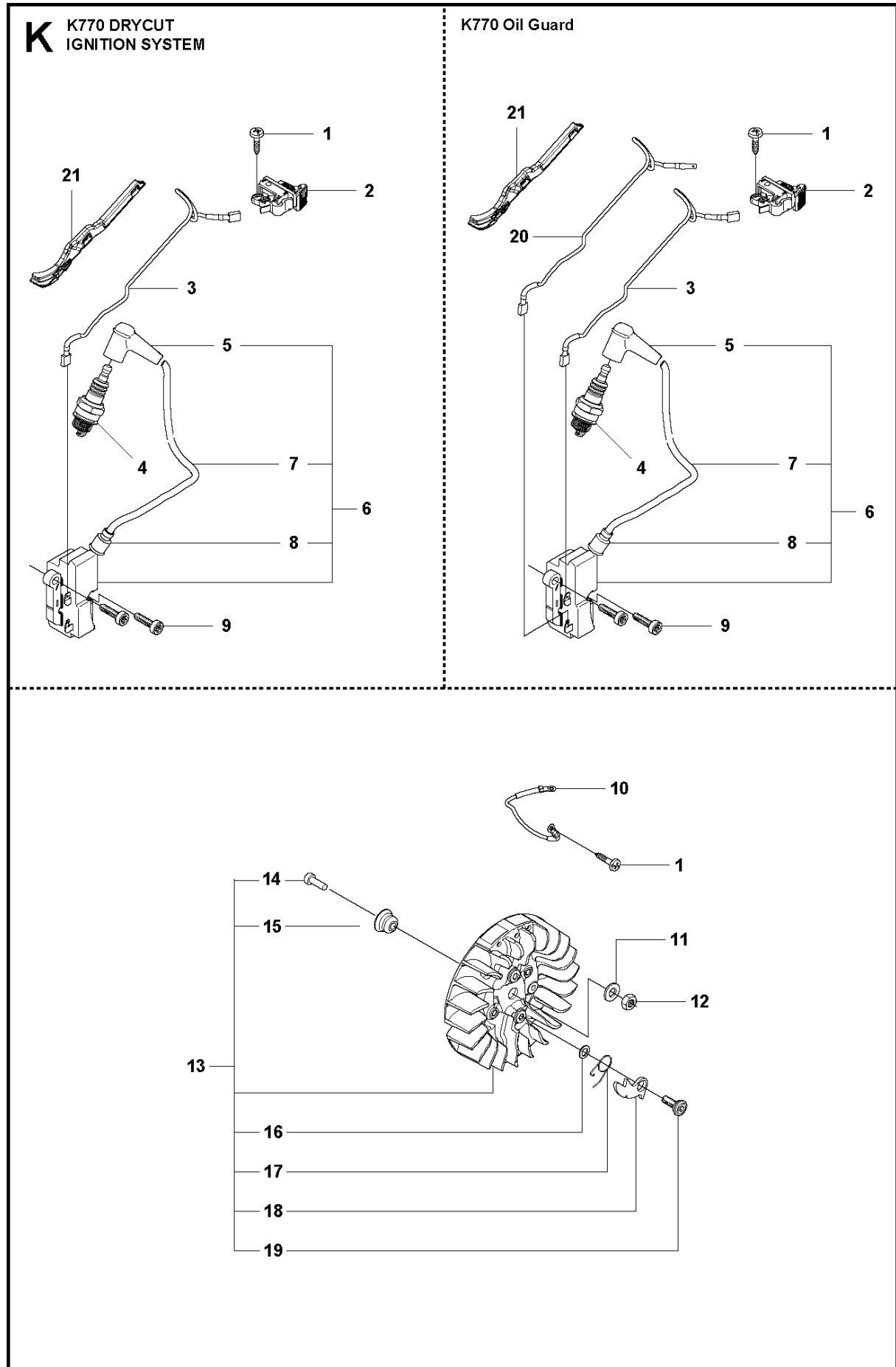
J K770 DRYCUT
STARTER



STARTER

K 770 Dry Cut, 2018-10

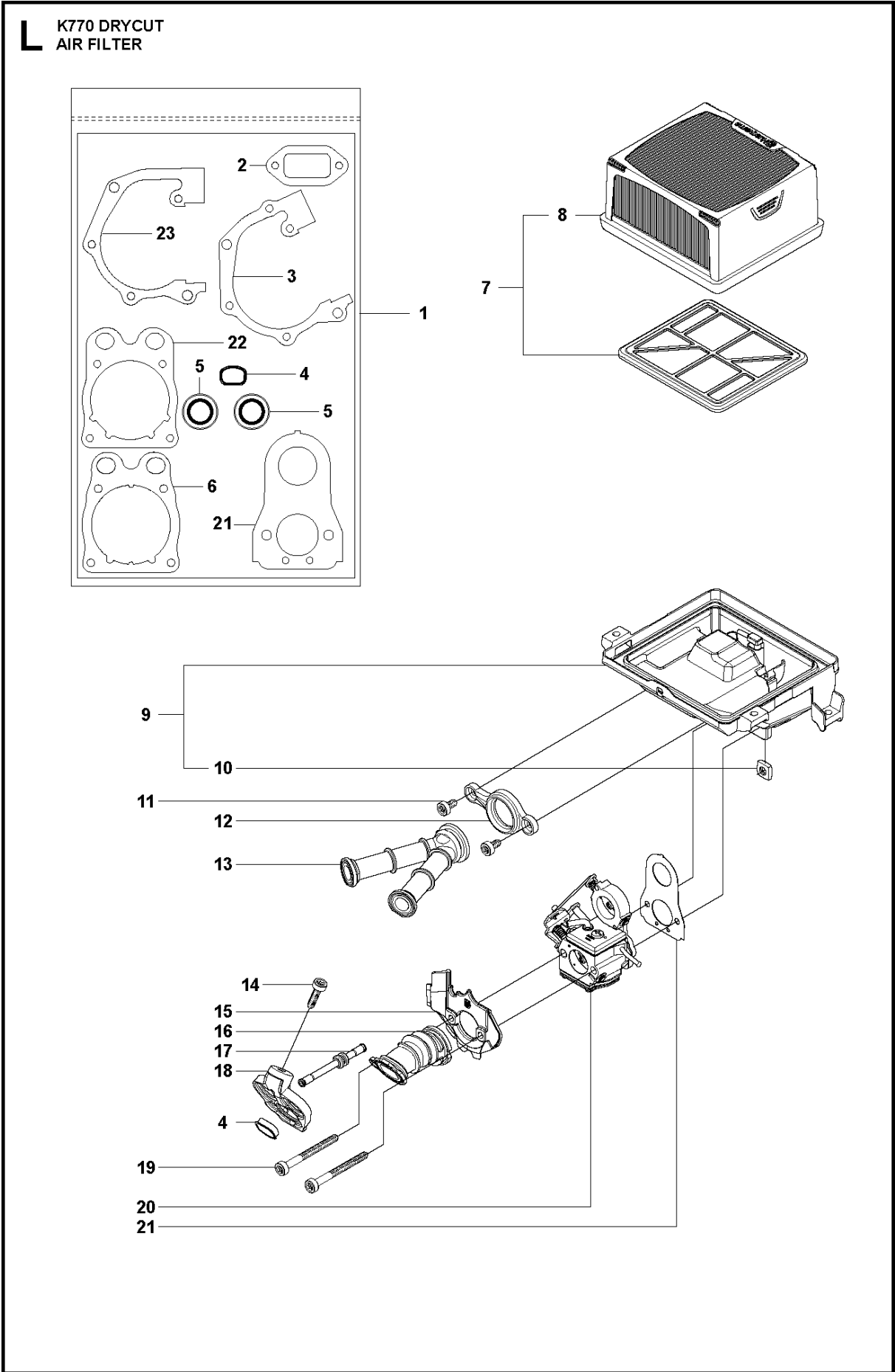
Ref	Part No	Description	Remark	QTY	KIT
1	574 36 20-05	STARTER	Incl. 2 - 15	1	
2	510 26 92-22	SCREW ITXSCT		1	1
3	740 43 13-00	O-RING		1	1
4	510 00 08-01	SEALING		1	1
5	506 26 31-01	SPACING SLEEVE		1	1
6	506 25 30-01	COMPRESSION SPRING		1	1
7	506 25 81-03	STARTER PULLEY		1	1
8	525 88 74-02	SCREW CITXPANT		2	1
9	506258903	TBD		1	1
10	506 33 56-15	CORD		1	1
10	506 33 56-50	STARTER CORD	50 m	1	1
11	584 25 79-02	STARTER HANDLE ASSY		1	1
12	525 44 60-01	STARTER COVER		1	1
13	501 98 10-20	SCREW ITXSCM		4	1
14	525 57 11-01	DECAL		1	1
15	501 85 94-01	COOLING AIR CONDUCTOR		1	



IGNITION SYSTEM

K 770 Dry Cut, 2018-10

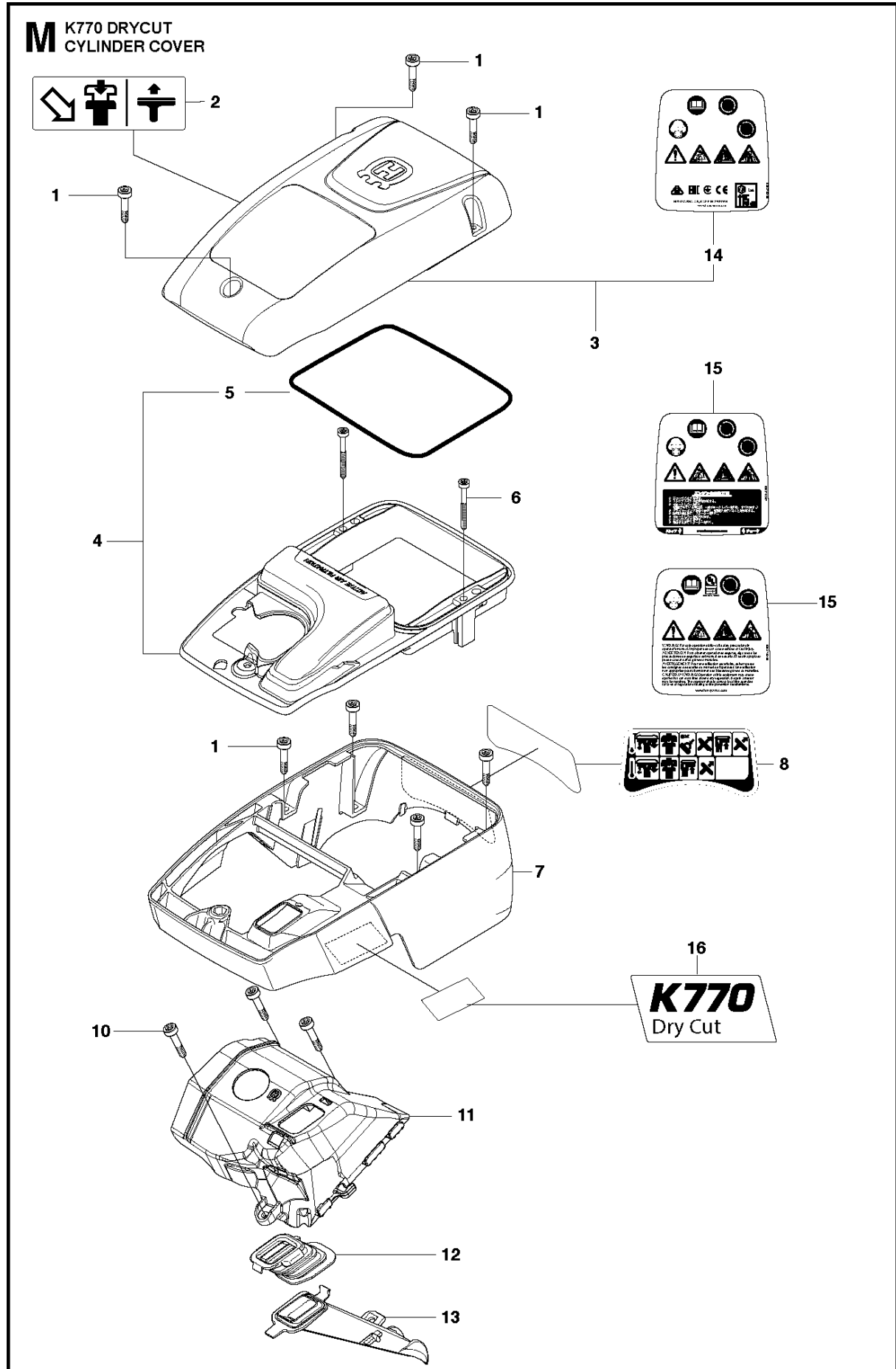
Ref	Part No	Description	Remark	QTY	KIT
1	525 88 74-02	SCREW CITXPANT		2	
2	506 31 86-04	STOP SWITCH		1	
3	586 49 72-01	CABLE		1	
4	503 23 51-11	SPARK PLUG	RCJ 6 Y	1	
5	501 48 54-02	SPARK PLUG CAP		1	6
6	580 38 05-01	IGNITION MODULE	Incl. 5, 7 - 8	1	
7	506 38 78-34	IGNITION CABLE		1	6
8	505 27 75-16	ISOLERHATT		1	6
9	503 21 53-20	SCREW ITXSCM		2	
10	506 37 85-01	CABLE		1	
11	503 23 01-01	WASHER		1	
12	503 22 10-11	HEXAGON NUT	Incl. 14 - 19	1	
13	587 70 21-02	FLYWHEEL ASSY		1	
14	725 53 29-56	SCREW IHSCM		1	13
15	574 25 09-01	WEIGHT		1	13
16	503 23 00-42	WASHER		2	13
17	576 49 26-01	SPRING		2	13
18	501 67 32-03	PAWL		2	13
19	506 00 69-01	SCREW		2	13
20	544 38 49-01	CABLE	Oil Guard	1	
21	577 24 28-01	CABLE HOLDER		1	



AIR FILTER

K 770 Dry Cut, 2018-10

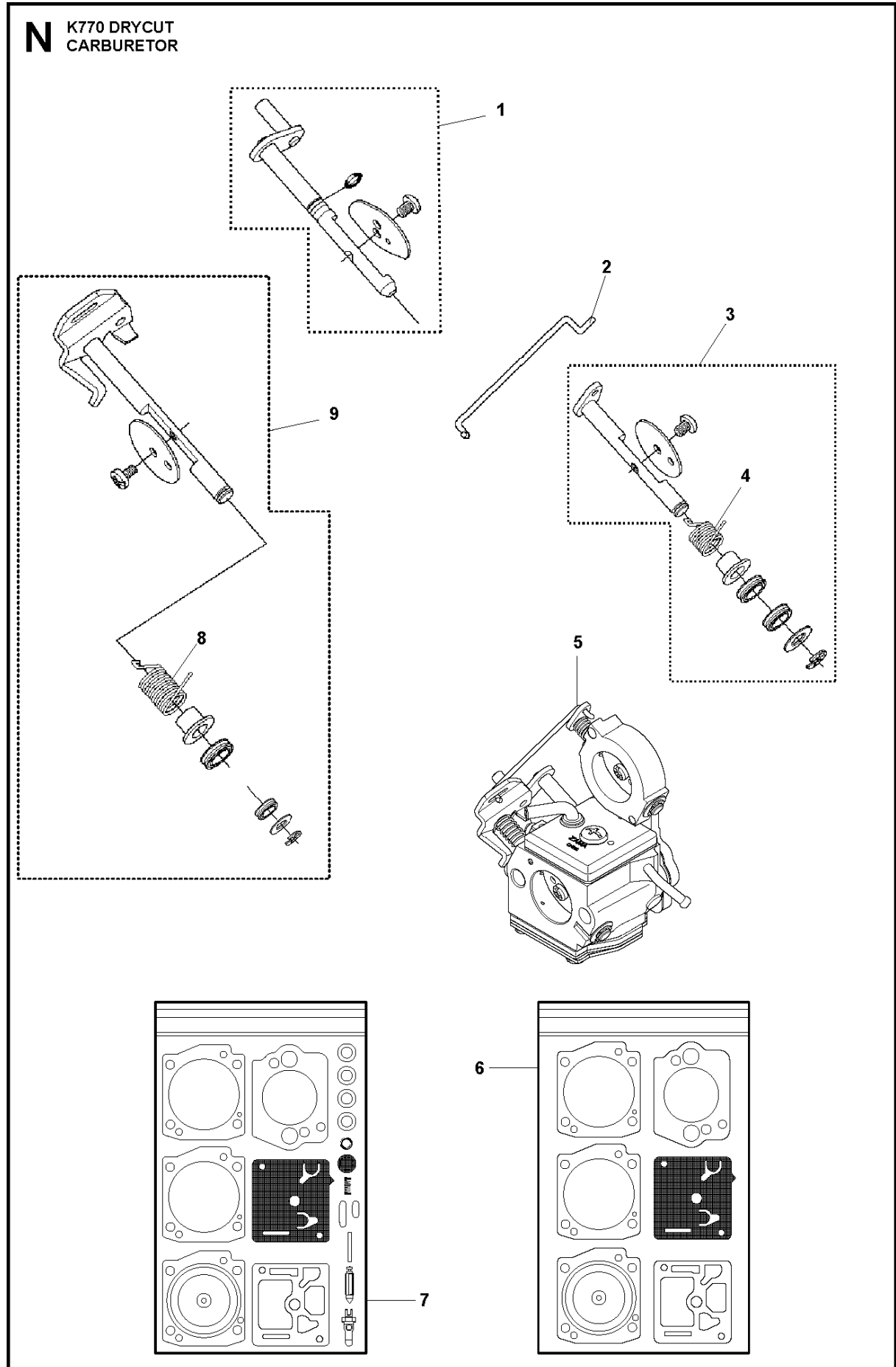
Ref	Part No	Description	Remark	QTY KIT	
1	581 35 74-02	GASKET KIT	incl. 2 - 6, 21 - 23	1	
2	588 93 25-01	GASKET		1	1
3	506 37 70-03	GASKET		1	1
4	544 21 93-02	INSERT		1	1
5	503 26 02-04	SEALING RING	Blue	2	1
6	581 28 53-01	GASKET		1	1
7	574 36 23-02	AIR FILTER ASSY	Incl. 8	1	
8	525 47 06-02	AIR FILTER ASSY		1	7
9	575 35 40-01	CARBURETTOR BRACKET	Incl. 10	1	
10	503 22 65-04	SQUARE NUT		4	9
11	503 21 53-10	SCREW ITXSCM		2	
12	506 37 06-01	FLANGE INLET PIPE		1	
13	525 73 32-01	INLET PIPE		1	
14	503 21 53-20	SCREW ITXSCM		1	
15	576 89 01-01	HEAT SHIELD		1	
16	525 73 31-01	INLET PIPE		1	
17	586 22 77-01	IMPULSE HOSE		1	
18	574 23 18-02	PLATE		1	
19	503 21 53-56	SCREW ITXSCM		2	
20	578 24 34-01	CARBURETTOR	Zama C3-EL53	1	
21	506 37 67-01	CYLINDER		1	1
22	506 37 67-01	CYLINDER		1	1
23	506 37 70-02	GASKET		1	1



CYLINDER COVER

K 770 Dry Cut, 2018-10

Ref	Part No	Description	Remark	QTY	KIT
1	503 21 53-21	SCREW ITXSCM		7	
2	525 76 35-02	DECAL		1	
3	583 96 52-08	FILTER COVER ASSY	incl. 14	1	
4	574 36 21-03	FILTER HOLDER ASSY	Incl. 5		
4	574 36 21-04	FILTER HOLDER ASSY	Incl. 5. OIL GUARD	1	4
5	575 35 50-01	SEALING STRIP		1	
6	503 21 53-49	SCREW ITXSCM		2	
7	506 36 70-03	CYLINDER COVER		1	
8	579 24 03-01	DECAL		1	
10	501 98 10-20	SCREW ITXSCM		3	
11	574 45 94-01	COVER		1	3
12	506 37 04-01	BELLOWS		1	
13	525 58 43-01	AIR NOZZLE		1	
14	586 37 93-06	DECAL	Generic	1	
15	586 37 93-05	DECAL		1	
15	586 37 93-07	DECAL	Japan Only	1	
16	574 23 16-05	DECAL		1	

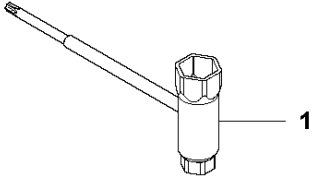
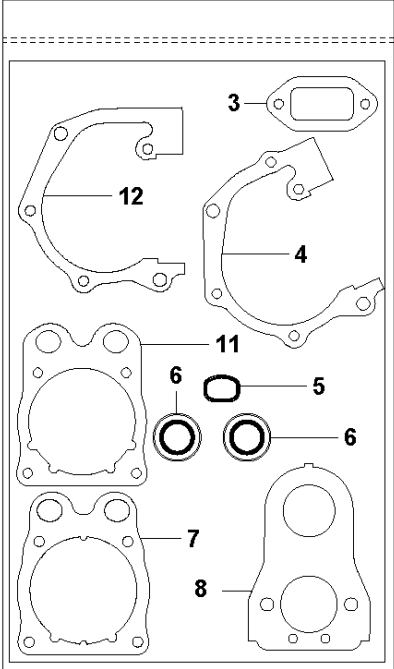


CARBURETOR

K 770 Dry Cut, 2018-10

Ref	Part No	Description	Remark	QTY	KIT
1	593 31 00-01	CHOKE SHAFT		1	
2	522 60 75-01	CHOKE VALVE	Japan only	1	
3	506 39 65-01	ROD		1	
4	593 33 29-01	VALVE KIT		1	3
5	506 39 75-01	SPRING		1	
6	578 24 34-01	CARBURETTOR	Zama C3-EL53	1	
7	506 40 99-02	GASKET KIT		1	
8	506 41 00-04	GASKET KIT		1	9
9	544 83 65-01	SPRING		1	
10	593 30 99-01	THROTTLE SHAFT		1	

O K770 DRYCUT
GASKET KIT



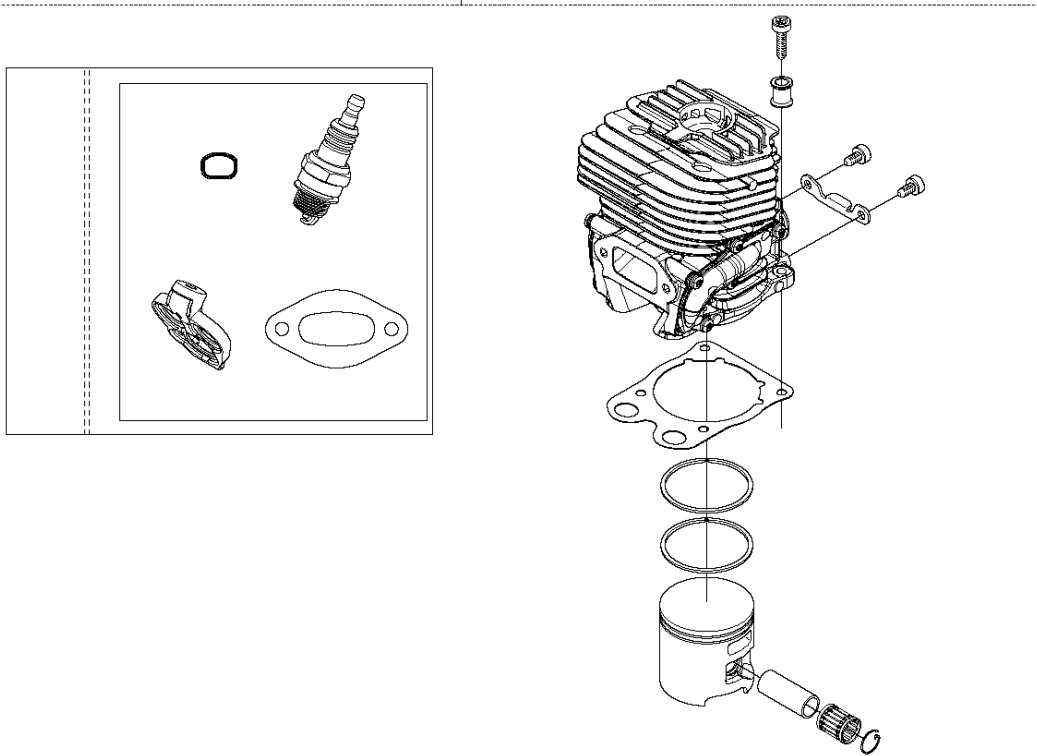
GASKET KIT

K 770 Dry Cut, 2018-10

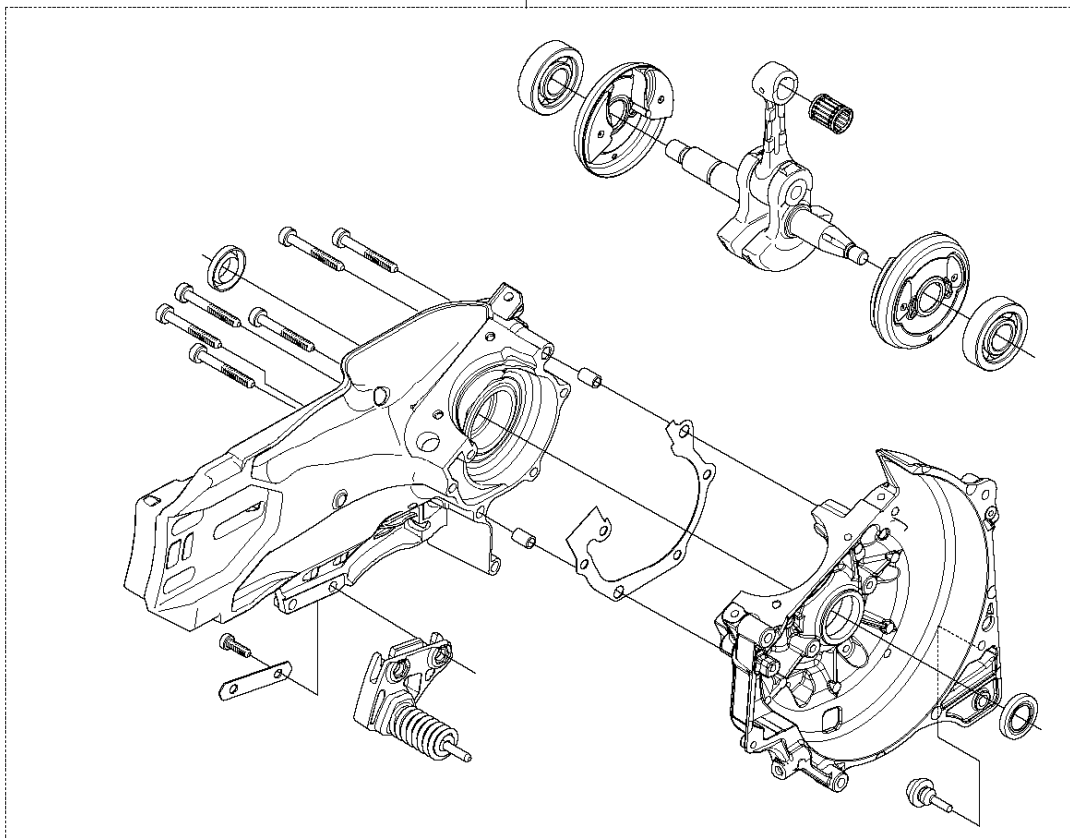
Ref	Part No	Description	Remark	QTY	KIT
1	506 38 26-01	TOOL		1	
2	581 35 74-02	GASKET KIT	Incl. 3-8, 11-12	1	
3	588 93 25-01	GASKET		1	2
4	506 37 70-03	GASKET		1	2
5	544 21 93-02	INSERT		1	2
6	503 26 02-04	SEALING RING	Blue	2	2
7	581 28 53-01	GASKET		1	2
8	506 37 68-04	GASKET		1	2
9	502 23 33-01	KIT	Incl. 10 Pins	1	
10	502 28 70-03	KIT		1	
11	506 37 67-01	CYLINDER		1	2
12	506 37 70-02	GASKET		1	2

P K770 DRYCUT
ENGINE KIT

1



2



ENGINE KIT

K 770 Dry Cut, 2018-10

Ref	Part No	Description	Remark	QTY	KIT
1	593 28 25-03	CRANKCASE KIT		1	
2	593 28 25-02	CRANKCASE KIT		1	1